



US00D809462S

(12) **United States Design Patent** (10) **Patent No.:** **US D809,462 S**
Mizrahi (45) **Date of Patent:** **** Feb. 6, 2018**

(54) **POWER ADAPTER**
(71) Applicant: **Mizco International Inc.**, Avenel, NJ (US)
(72) Inventor: **Mike J. Mizrahi**, Brooklyn, NY (US)
(73) Assignee: **MIZCO INTERNATIONAL INC.**, Avenel, NJ (US)
(**) Term: **15 Years**
(21) Appl. No.: **29/529,242**
(22) Filed: **Jun. 4, 2015**

D494,542 S * 8/2004 Hriscu D13/110
D526,962 S * 8/2006 Krieger D13/144
D530,280 S * 10/2006 Krieger D13/144
D544,439 S * 6/2007 Hussaini D13/110
D550,616 S * 9/2007 Dayan D13/110
D551,166 S * 9/2007 Dayan D13/110
D551,170 S * 9/2007 Hussaini D13/144
D592,594 S * 5/2009 Stiff D13/110
D608,284 S * 1/2010 Lin D13/144
D666,557 S * 9/2012 Cheng D13/144
D687,378 S * 8/2013 Iacovelli D13/110

(Continued)

Primary Examiner — Derrick Holland
Assistant Examiner — Jennifer O King
(74) *Attorney, Agent, or Firm* — Jeffrey T. Burgess; Loza & Loza, LLP

Related U.S. Application Data

(63) Continuation-in-part of application No. 14/731,184, filed on Jun. 4, 2015.
(51) **LOC (11) Cl.** **13-03**
(52) **U.S. Cl.**
USPC **D13/144**
(58) **Field of Classification Search**
USPC D13/144, 107, 110, 118, 119, 120, 133, D13/154, 184, 199; D14/155, 217, 433; 320/65, 107, 108, 109; 363/13, 146; 439/300, 620, 638, 668, 669, 675, 825
CPC H01R 24/58; H01R 2201/26
See application file for complete search history.

(57) **CLAIM**

We claim the ornamental design for a power adapter, substantially as shown and described.

DESCRIPTION

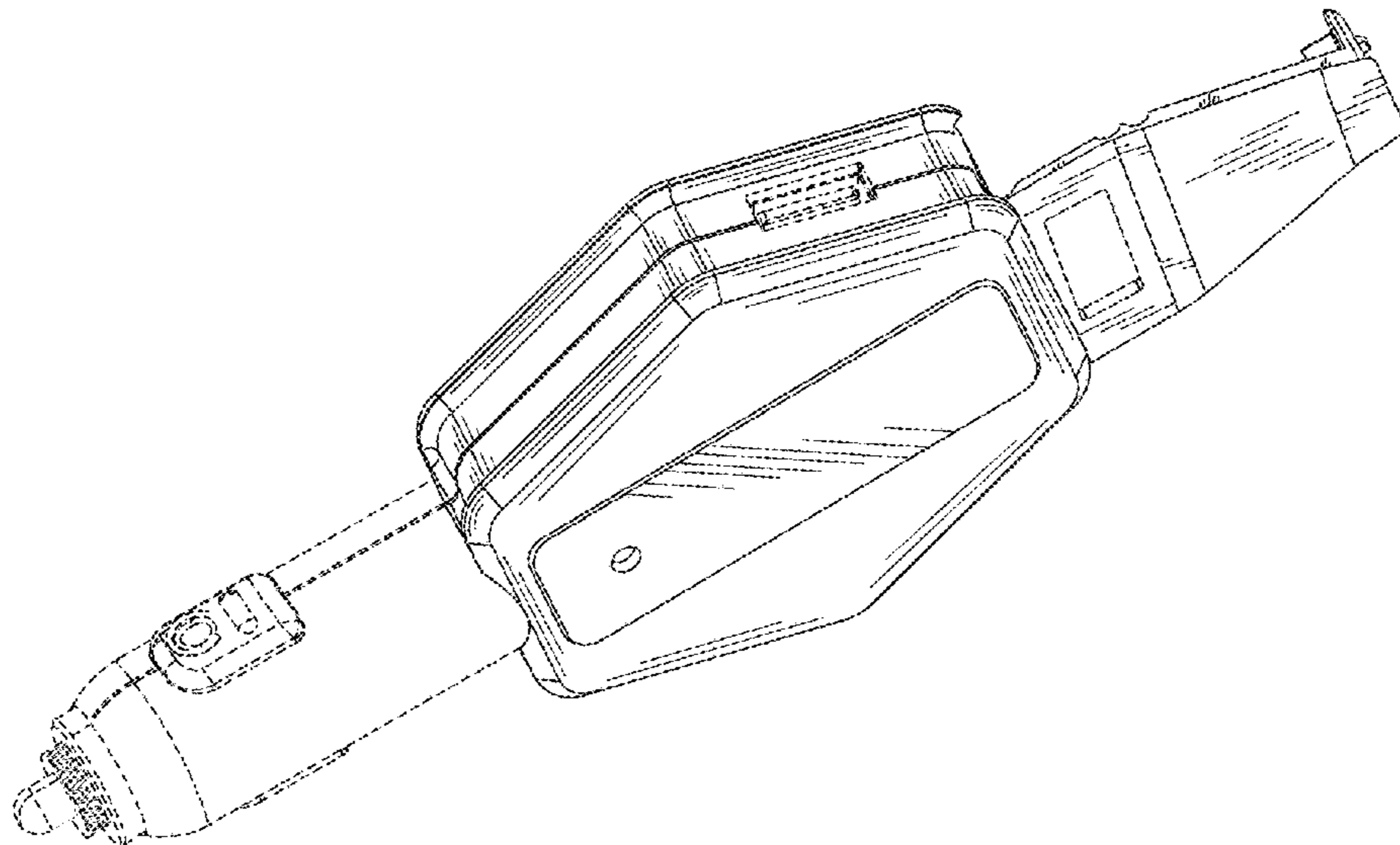
FIG. 1 is a top perspective view of a power adapter; FIG. 2 is a rear bottom view thereof; FIG. 3 is a top view thereof; FIG. 4 is a left side view thereof; FIG. 5 is a right side view thereof; FIG. 6 is a front end view thereof; FIG. 7 is a rear end view thereof; FIG. 8 is a rear bottom perspective view thereof, shown in a closed position; FIG. 9 is a top view thereof; FIG. 10 is a rear bottom view thereof; FIG. 11 is a left side view thereof; FIG. 12 is a right side view thereof; FIG. 13 is a front end view thereof; and, FIG. 14 is a rear end view thereof. The broken lines shown represent unclaimed subject matter and form no part of the claimed design.

(56) **References Cited**

U.S. PATENT DOCUMENTS

D209,284 S * 11/1967 Busch D13/144
D330,887 S * 11/1992 Wharton D13/144
D348,250 S * 6/1994 Shababy D13/144
D392,250 S * 3/1998 Yiin D13/107
D398,287 S * 9/1998 Luminosu D13/107
D429,689 S * 8/2000 Barragan, Jr. D13/144
D457,134 S * 5/2002 Lam D13/110
D482,654 S * 11/2003 Shor D13/110

1 Claim, 12 Drawing Sheets



(56)

References Cited

U.S. PATENT DOCUMENTS

2002/0005708 A1* 1/2002 Kobayashi H01M 2/1077
320/107

* cited by examiner

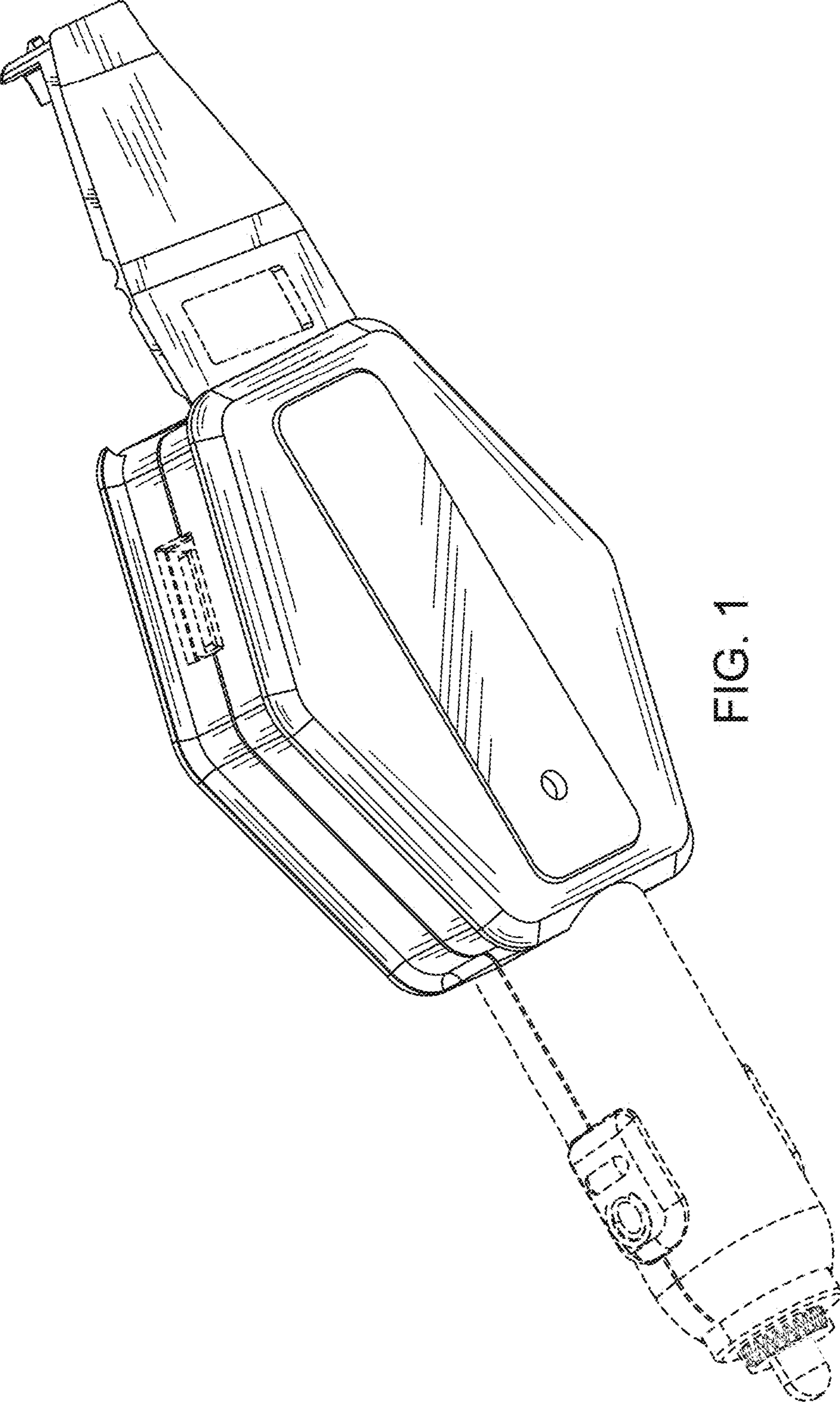


FIG. 1

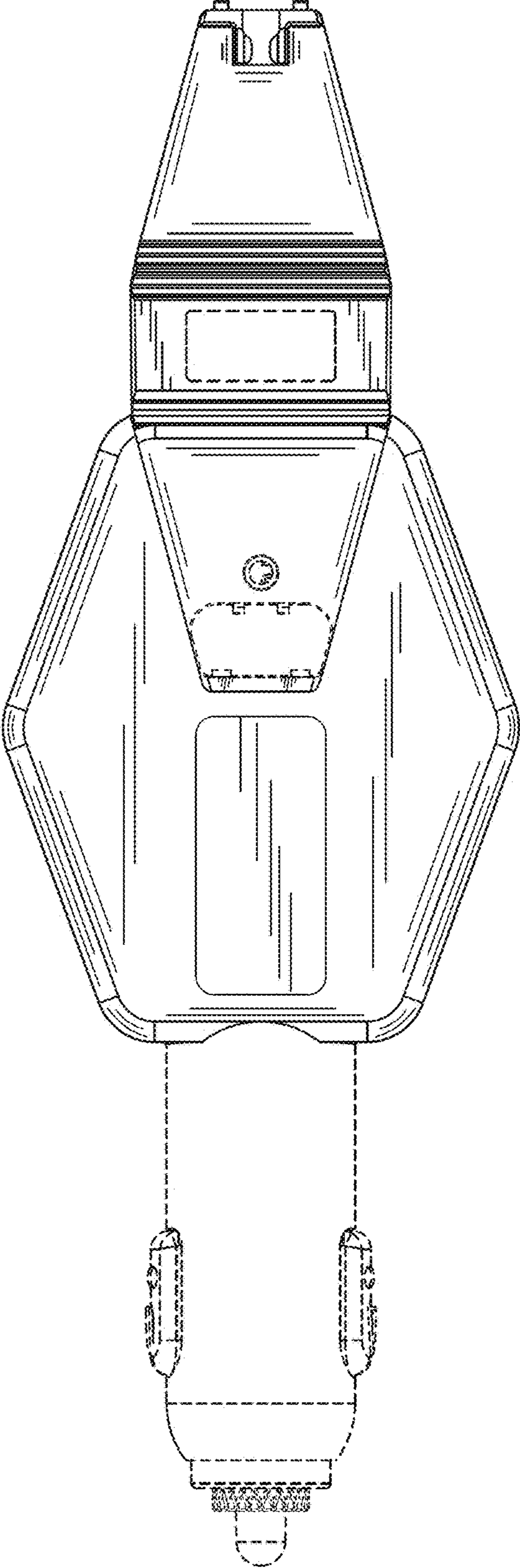


FIG. 2

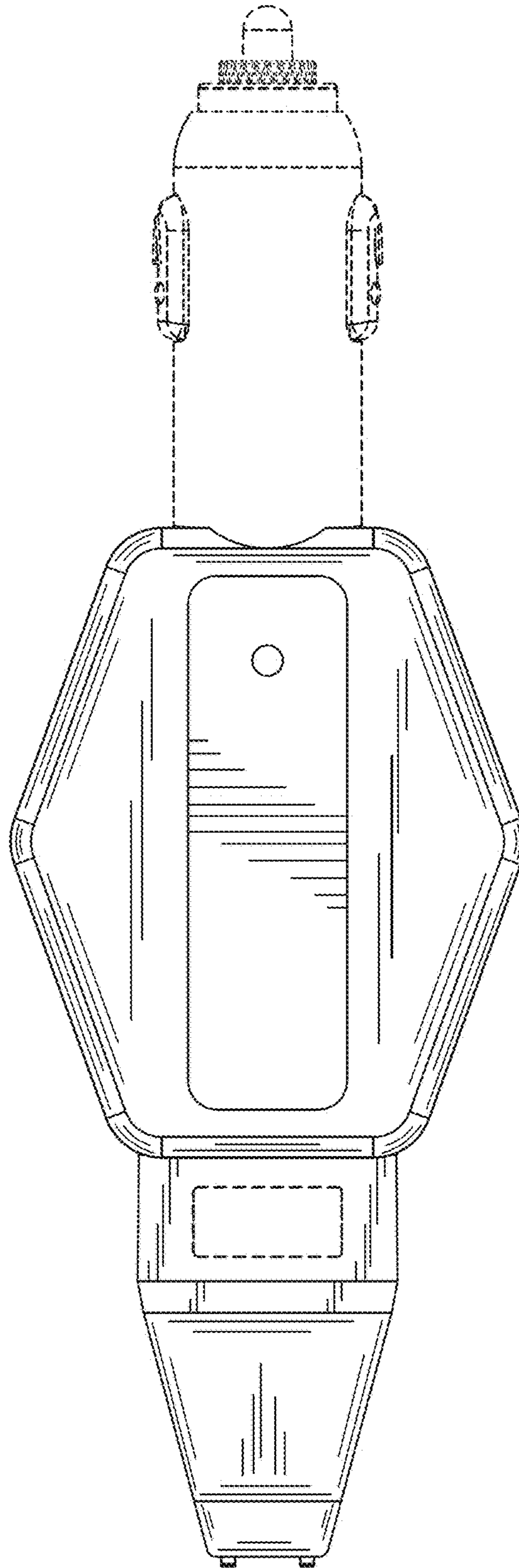


FIG. 3

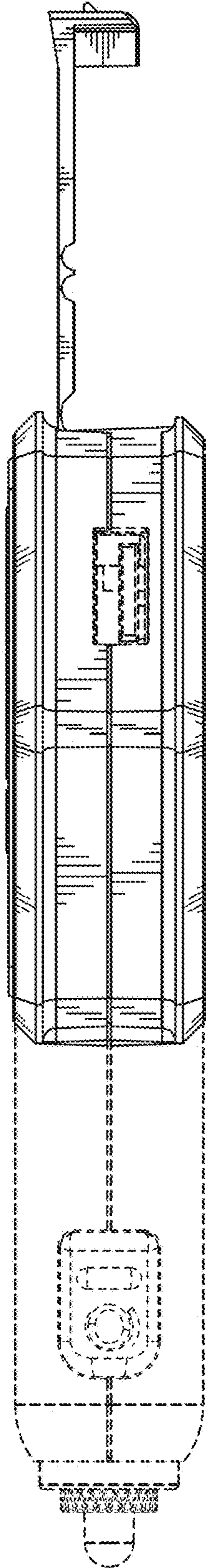


FIG. 4

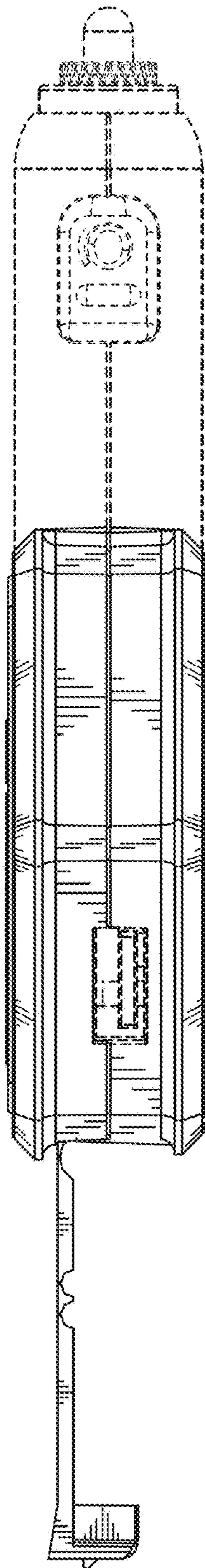


FIG. 5

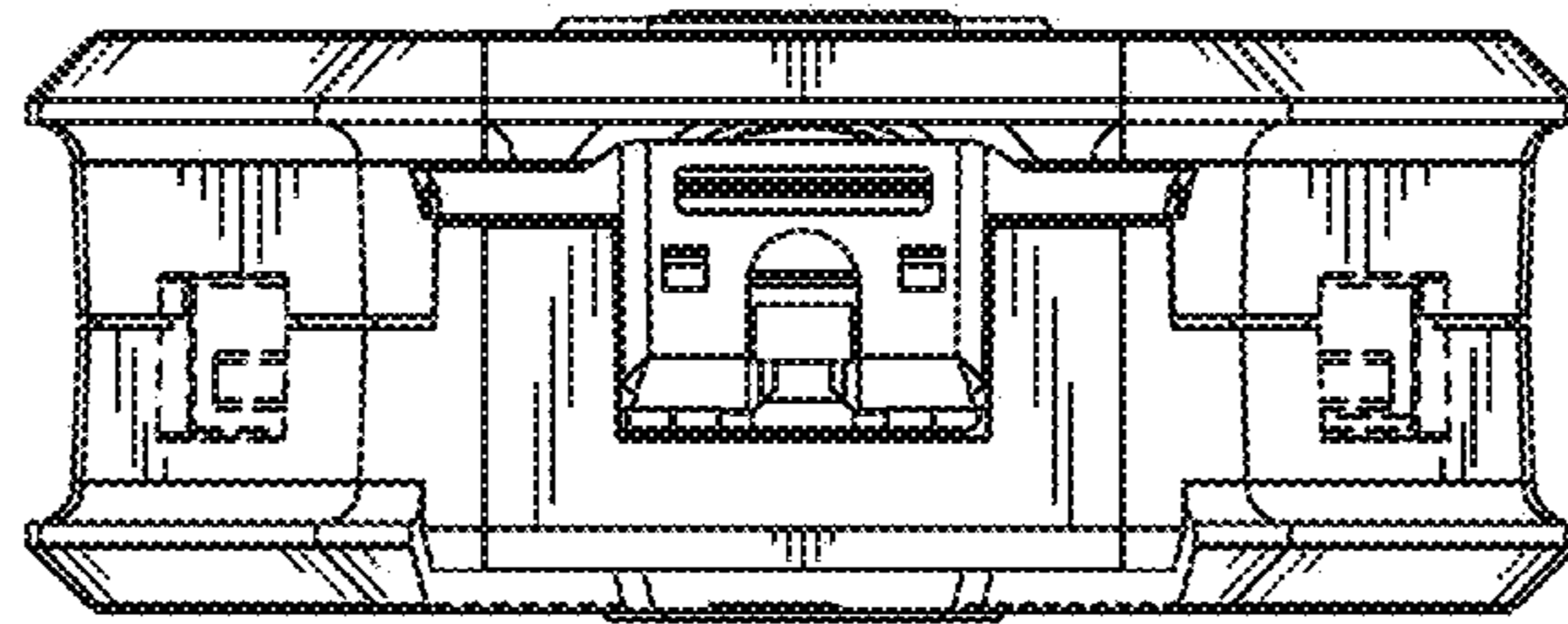


FIG. 6

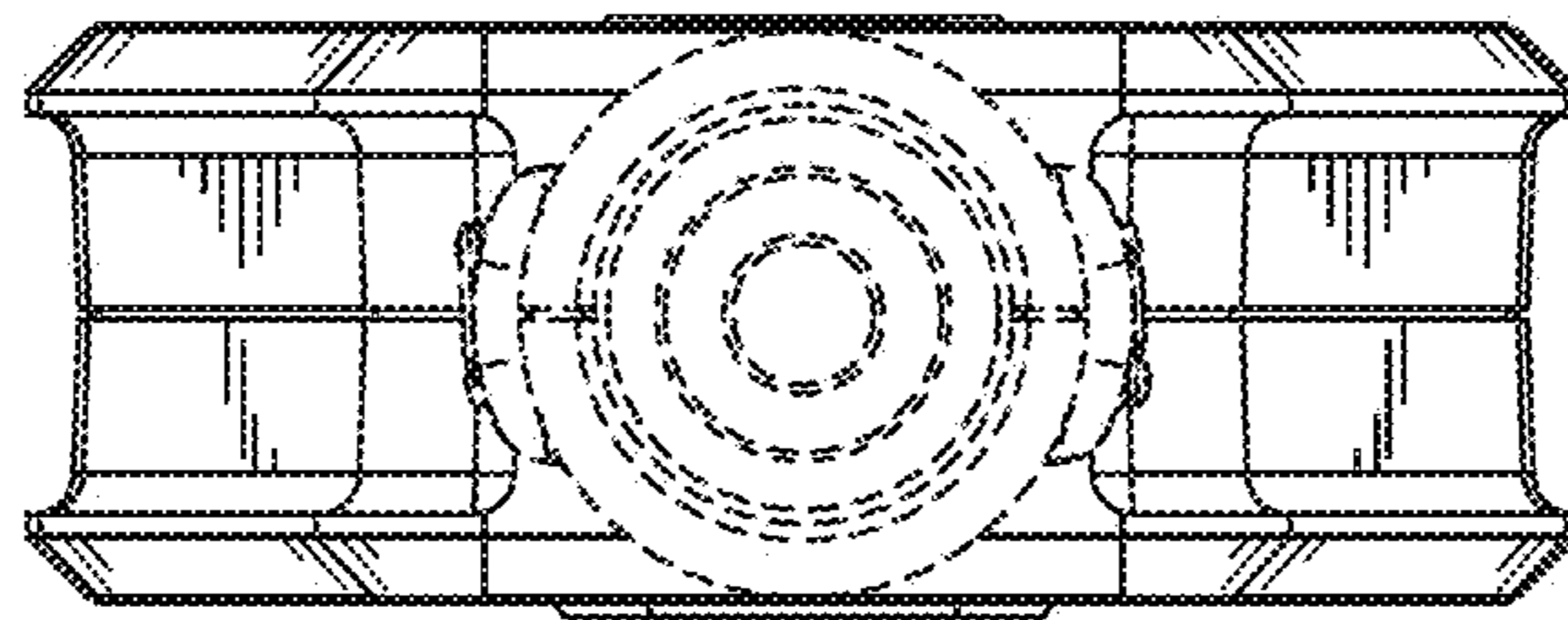


FIG. 7

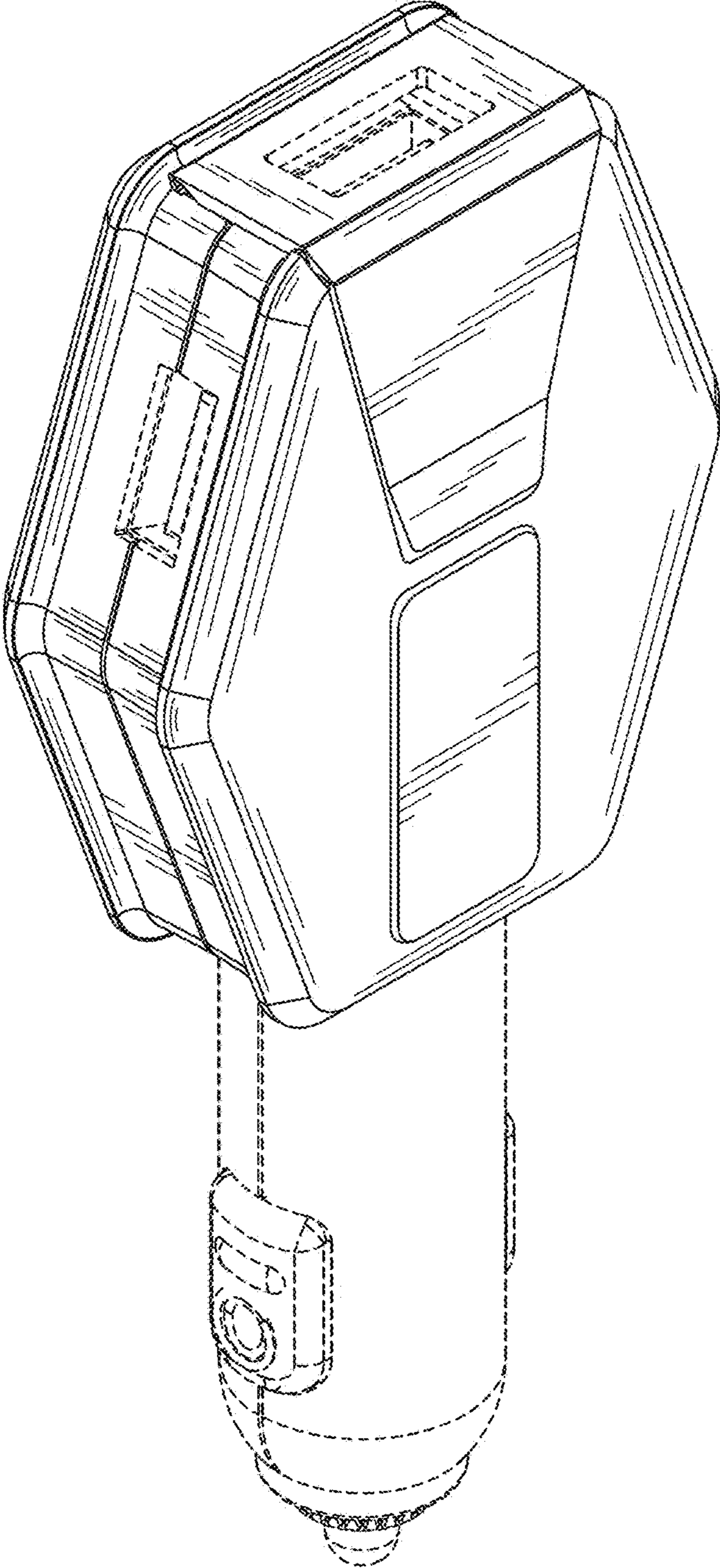


FIG. 8

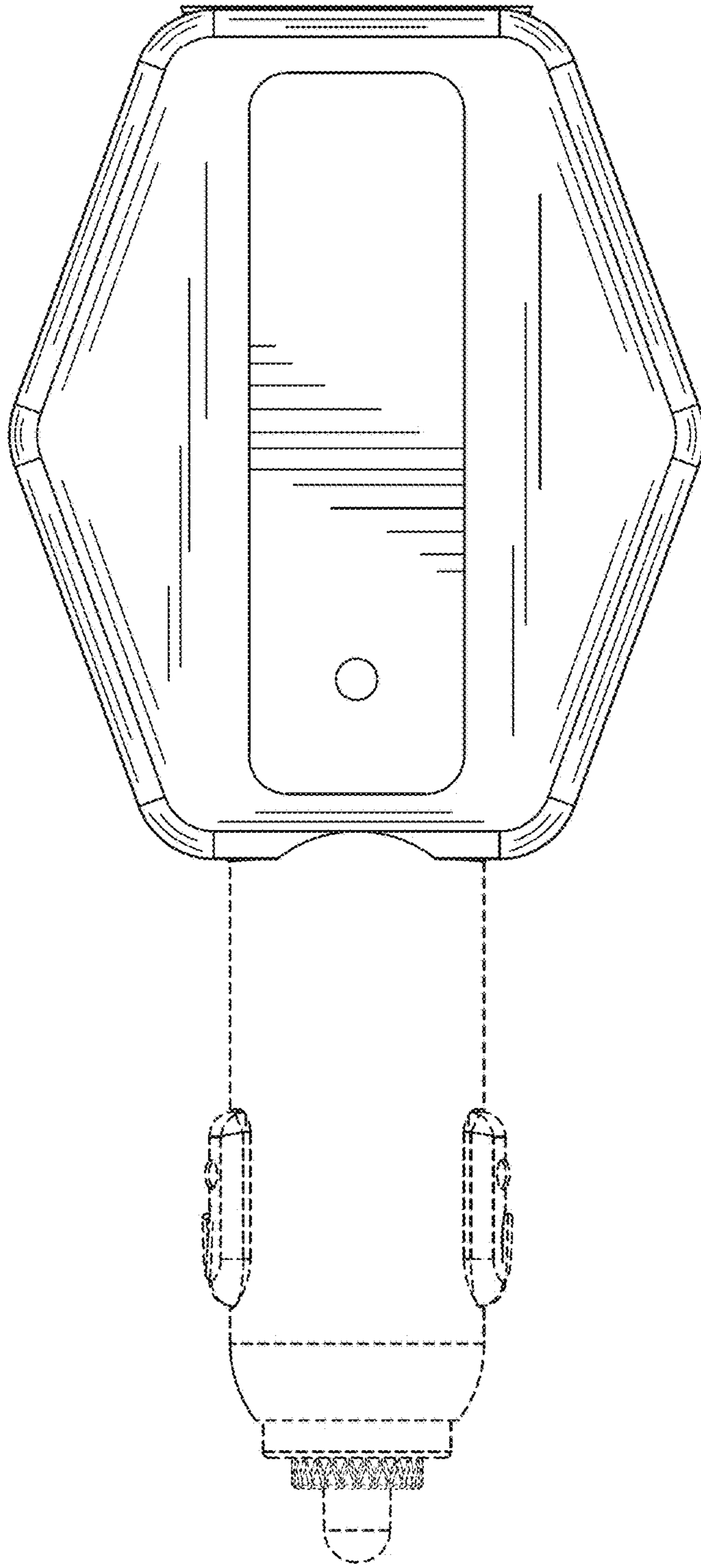


FIG. 9

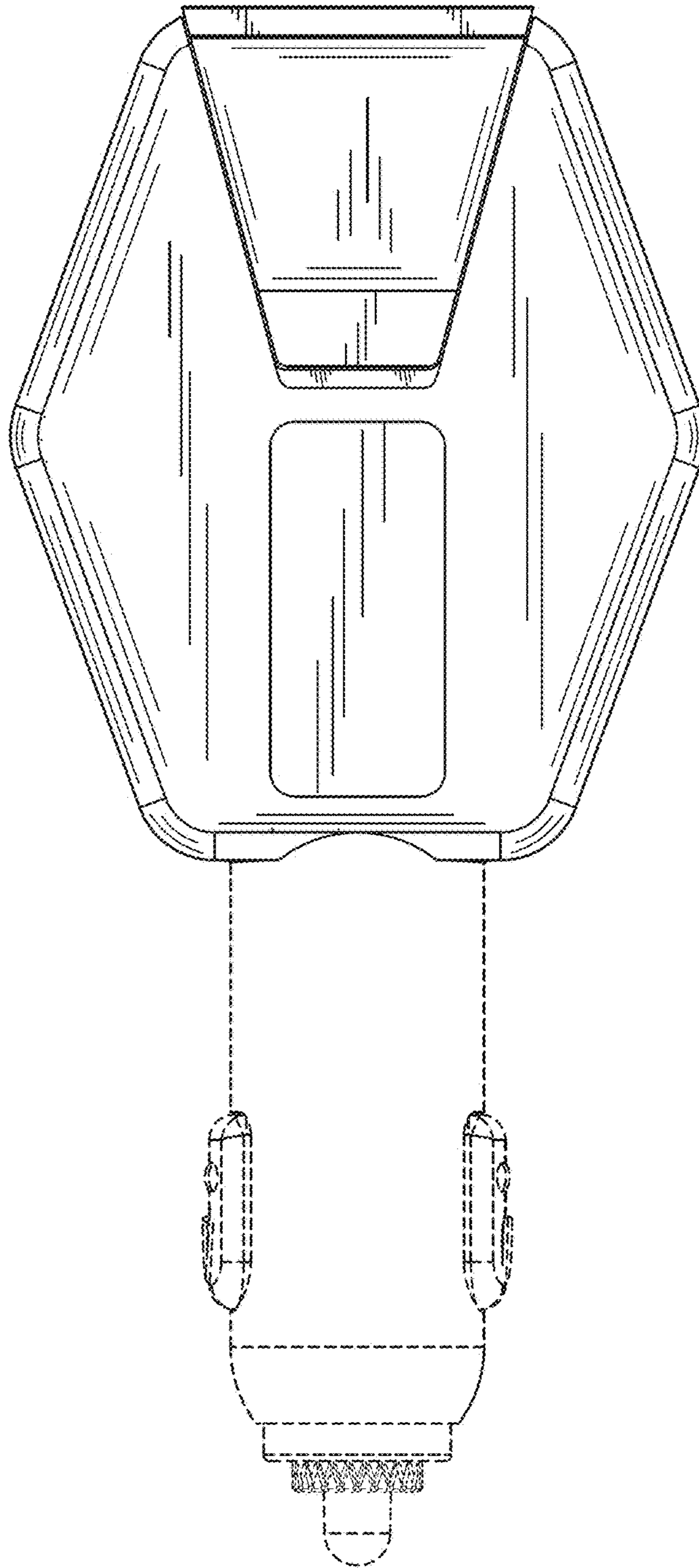


FIG. 10

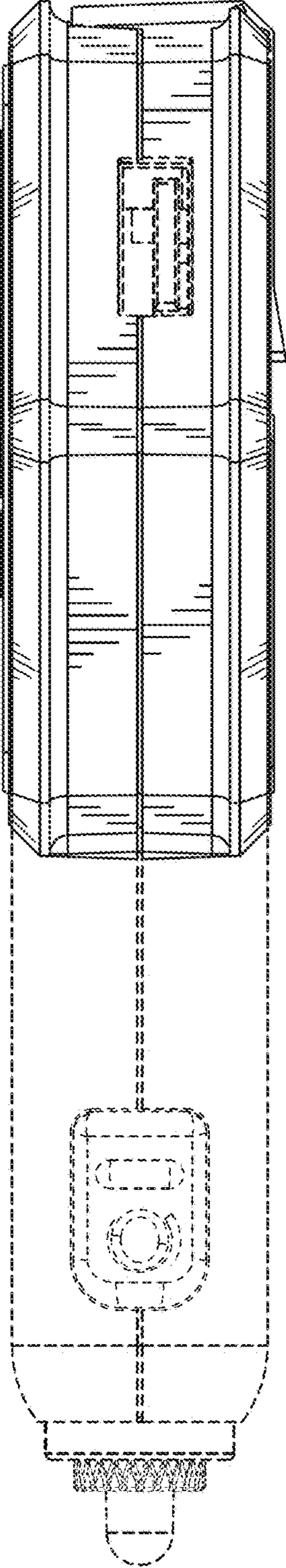


FIG. 11

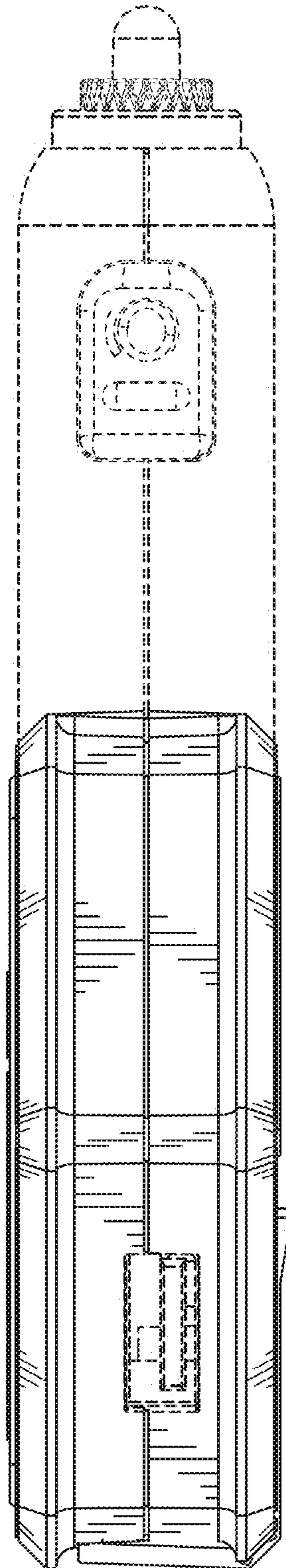


FIG. 12

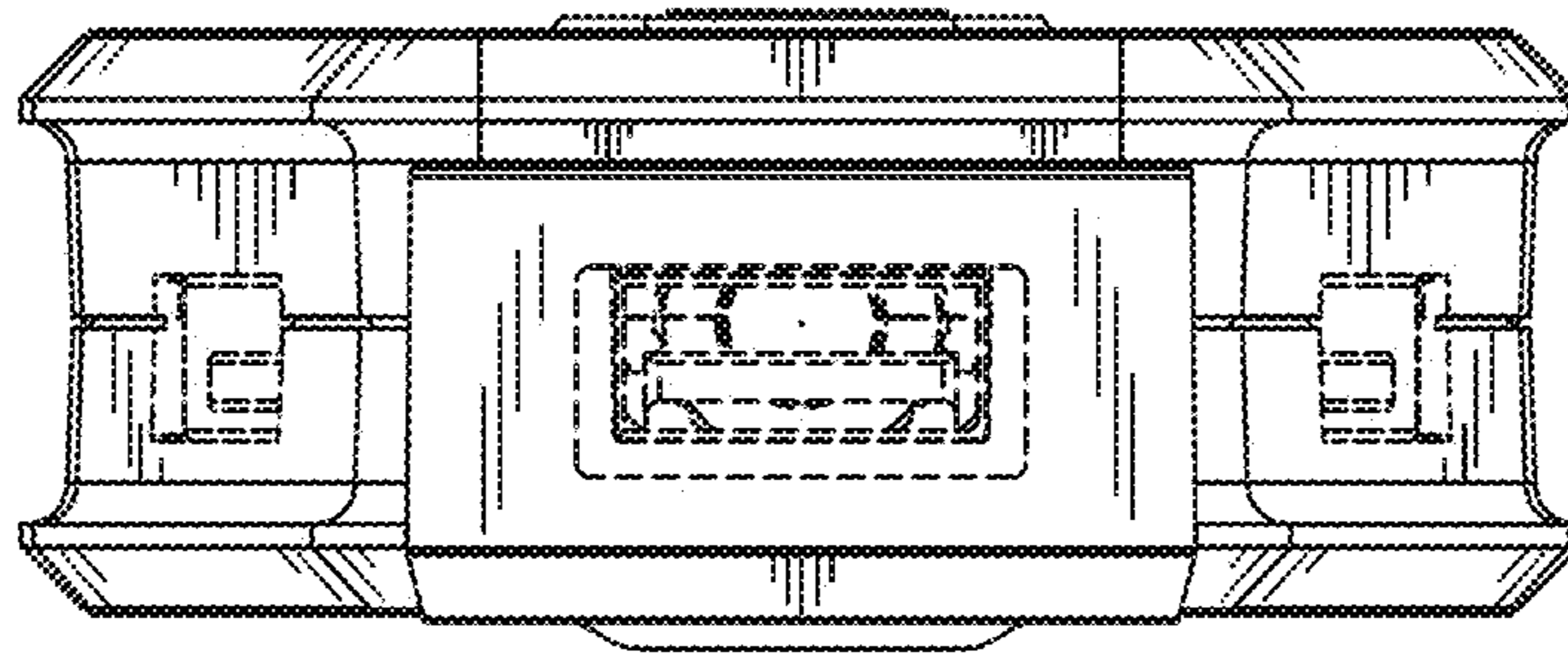


FIG. 13

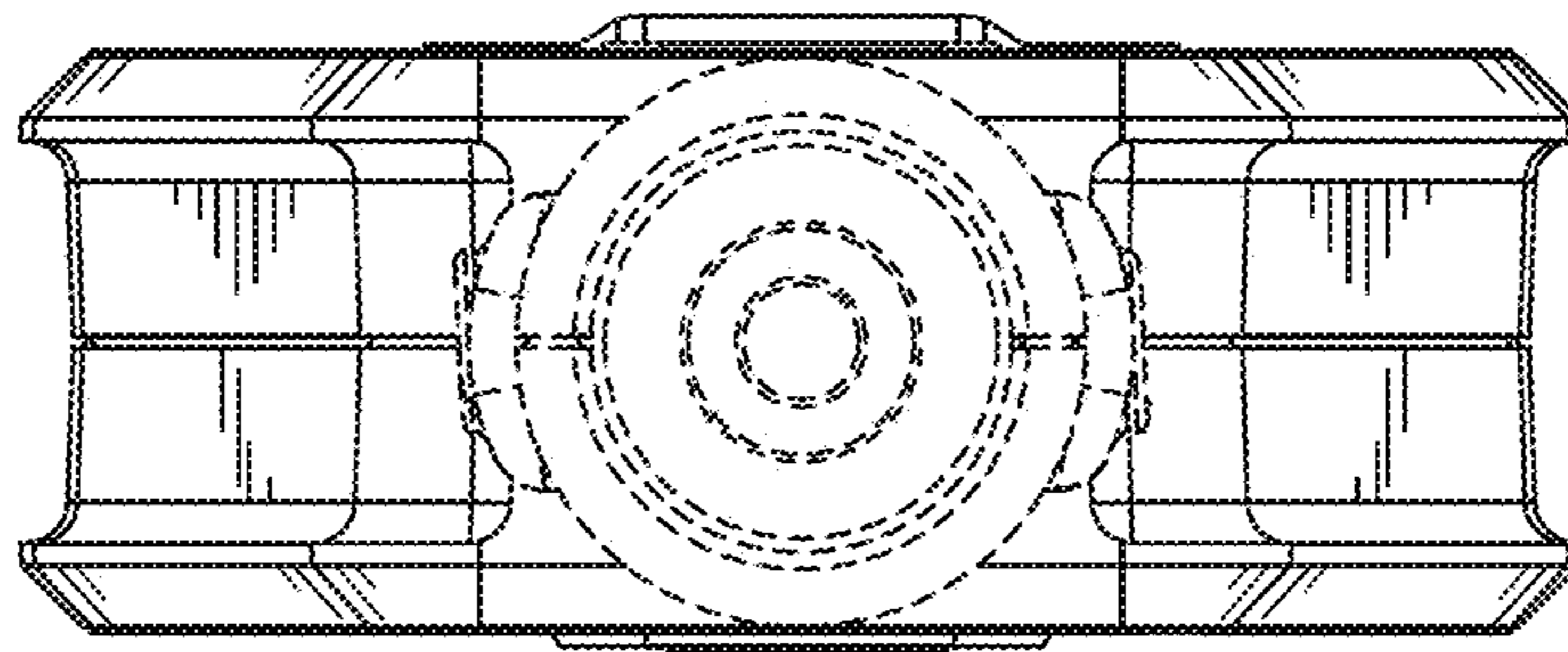


FIG. 14