



US00D809461S

(12) **United States Design Patent** (10) **Patent No.:** **US D809,461 S**
Maskaly et al. (45) **Date of Patent:** **** Feb. 6, 2018**

(54) **OUTLET BANK**

FOREIGN PATENT DOCUMENTS

(71) Applicant: **Server Technology, Inc.**, Reno, NV (US)

CN 201038489 Y 3/2008
JP S5367076 U1 6/1978

(72) Inventors: **James Maskaly**, Reno, NV (US); **Peter Giammona**, Reno, NV (US); **Mark Ramsey**, Reno, NV (US); **Liang Light Chen**, Los Gatos, CA (US)

OTHER PUBLICATIONS

International Search Report and Written Opinion of International Application No. PCT/US2016/027228; dated Jul. 1, 2016, 8 pages.

(73) Assignee: **Server Technology, Inc.**, Reno, NV (US)

Primary Examiner — Rhea Shields

(74) *Attorney, Agent, or Firm* — Perkins Coie LLP

(**) Term: **14 Years**

(57) **CLAIM**

The ornamental design for an outlet bank, as shown and described.

(21) Appl. No.: **29/523,323**

(22) Filed: **Apr. 8, 2015**

DESCRIPTION

Related U.S. Application Data

(63) Continuation-in-part of application No. 14/073,769, filed on Nov. 6, 2013, now Pat. No. 9,484,692.

(51) **LOC (11) Cl.** **13-03**

(52) **U.S. Cl.**
USPC **D13/137.2**

(58) **Field of Classification Search**
USPC D13/139.1–139.8, 108, 137.1–137.4;
439/491, 357, 652, 106, 350, 373, 620.26,
439/535, 120, 353, 214, 686; 361/622;
174/86, 177, 138 F, 112, 480; 200/50.32,
200/51.09, 51 R; 340/815.4, 635;
345/699; 191/12.4; 362/123

(Continued)

(56) **References Cited**

U.S. PATENT DOCUMENTS

1,879,783 A 9/1932 Barnett
3,214,579 A * 10/1965 Pacini H01R 25/006
362/123

(Continued)

FIG. 1 is a perspective view of an embodiment of an outlet bank.

FIG. 2 is a front elevation view thereof.

FIG. 3 is a back elevation view thereof.

FIG. 4 is a right side elevation view thereof.

FIG. 5 is a left side elevation view thereof.

FIG. 6 is a top plan view thereof.

FIG. 7 is a bottom plan view thereof.

FIG. 8 is a perspective view of an embodiment of an outlet bank.

FIG. 9 is a front elevation view thereof.

FIG. 10 is a back elevation view thereof.

FIG. 11 is a right side elevation view thereof.

FIG. 12 is a left side elevation view thereof.

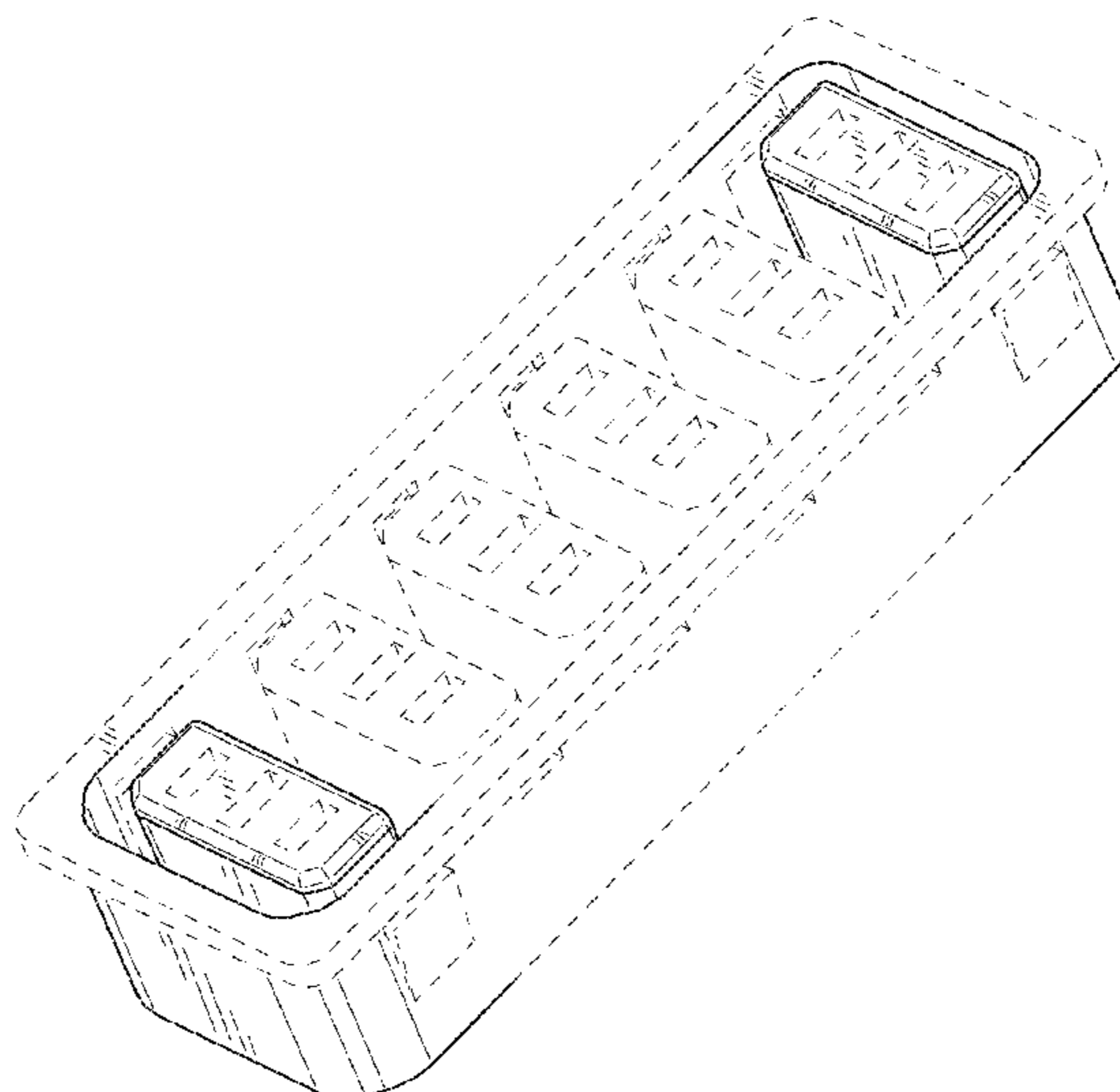
FIG. 13 is a top plan view thereof; and,

FIG. 14 is a bottom plan view thereof.

Any broken lines in the Figures are for the purpose of illustrating environment only and form no part of the claimed design.

In the drawings, the broken lines are for the purpose of illustrating environment only and form no part of the claimed design.

1 Claim, 10 Drawing Sheets



US D809,461 S

(58)	<p>Field of Classification Search CPC .. H05K 7/1432; H01R 13/68; H01R 13/5812; H01R 13/6395; H01R 13/44; H01R 13/72; H01R 13/64; H01R 13/5841; H01R 25/006; H01R 25/003; H02J 9/06; G06F 1/26; G09G 5/006 See application file for complete search history.</p>	8,138,634 B2 * 3/2012 Ewing H02J 9/06 200/50.32 8,157,574 B2 4/2012 Hsiao et al. 8,212,427 B2 7/2012 Spitaels et al. 8,283,802 B2 10/2012 Jansma et al. 8,321,163 B2 11/2012 Ewing et al. D673,503 S 1/2013 Lee et al. 8,376,782 B2 2/2013 Govekar et al. D677,630 S 3/2013 Zien et al. 8,427,283 B2 4/2013 Lee et al. D682,213 S 5/2013 Byrne et al. 8,439,697 B2 5/2013 Vass 8,471,718 B1 6/2013 Miller et al. 8,494,661 B2 7/2013 Ewing et al. D693,769 S 11/2013 Picard et al. D693,770 S 11/2013 Miller 8,587,950 B2 11/2013 Ewing et al. 8,643,504 B2 2/2014 Marcinek et al. D701,834 S 4/2014 Lee 8,702,447 B2 4/2014 Lau 8,882,536 B2 11/2014 Utz D734,253 S 7/2015 Tinaphong et al. D746,234 S 12/2015 Lee et al. 9,325,129 B2 4/2016 Soneda et al. 9,356,409 B2 5/2016 Jansma et al. 9,583,902 B2 2/2017 Irons et al. 9,614,335 B2 4/2017 Irons 2004/0077212 A1 4/2004 Pulizzi 2006/0246784 A1 2/2006 Aekins et al. 2007/0077825 A1 * 4/2007 Kuo H01R 13/516 439/686 2007/0128927 A1 * 6/2007 Cleveland H01R 13/68 439/535 2007/0161293 A1 * 7/2007 Ewing H01R 13/68 439/620.26 2008/0076291 A1 * 3/2008 Ewing H01R 13/5812 439/373 2009/0137142 A1 * 5/2009 Xia H01R 13/6395 439/350 2009/0242265 A1 10/2009 Doorhy et al. 2010/0090851 A1 4/2010 Hauser 2010/0314943 A1 12/2010 Jansma et al. 2011/0076882 A1 3/2011 Fleisig 2011/0095901 A1 * 4/2011 Marcinek H05K 7/1432 340/815.4 2012/0087051 A1 4/2012 Spitaels et al. 2012/0190225 A1 * 7/2012 Bessyo H01R 13/64 439/177 2014/0126116 A1 * 5/2014 Irons H05K 7/1492 361/622 2014/0144670 A1 * 5/2014 Irons H01R 13/5841 174/86 2015/0072553 A1 3/2015 Irons 2015/0104968 A1 * 4/2015 Hutchison H01R 13/629 439/357 2015/0162706 A1 6/2015 Kennedy et al. 2016/0149331 A1 * 5/2016 Chen H01R 13/465 439/491
(56)	<p align="center">References Cited</p> <p align="center">U.S. PATENT DOCUMENTS</p>	
	3,651,443 A 3/1972 Quilez 3,659,252 A 4/1972 Brown 4,684,186 A * 8/1987 Hetherington H01R 29/00 439/120 4,911,652 A 3/1990 Savoca et al. 5,285,011 A * 2/1994 Shimochi H01H 85/2035 174/138 F 5,418,328 A 5/1995 Nadeau 5,429,518 A * 7/1995 Chen H01R 13/71 200/51.09 5,775,935 A * 7/1998 Barna H01R 13/465 174/112 5,793,352 A * 8/1998 Greenberg G09G 5/006 345/699 D409,978 S * 5/1999 Stekelenburg D13/139.6 6,030,249 A * 2/2000 Illg H01R 13/6275 439/353 6,220,880 B1 * 4/2001 Lee H01R 25/003 439/214 6,256,881 B1 7/2001 Starkey 6,283,787 B1 9/2001 Chou 6,573,617 B2 6/2003 Jones et al. 6,642,450 B1 * 11/2003 Hsiao H01R 25/006 174/480 6,750,410 B2 * 6/2004 Lee C08J 9/0004 200/51 R 6,830,477 B2 12/2004 Vander Vorste et al. 6,867,966 B2 3/2005 Smith et al. 6,937,461 B1 8/2005 Donahue 7,043,543 B2 * 5/2006 Ewing G06F 1/26 307/11 7,101,215 B2 9/2006 Woellner et al. 7,457,106 B2 * 11/2008 Ewing H01R 25/006 340/635 7,510,426 B2 3/2009 Hwang et al. 7,597,578 B2 10/2009 Adunka et al. 7,753,699 B2 * 7/2010 Wu H01R 13/44 439/106 7,845,974 B2 * 12/2010 Yue H01R 13/72 191/12.4 7,961,111 B2 6/2011 Tinaphong et al. 7,990,689 B2 8/2011 Ewing et al. 8,033,867 B1 * 10/2011 Kessler H01R 25/003 439/652 8,038,454 B2 * 10/2011 Jiang H01R 25/003 439/106	

* cited by examiner

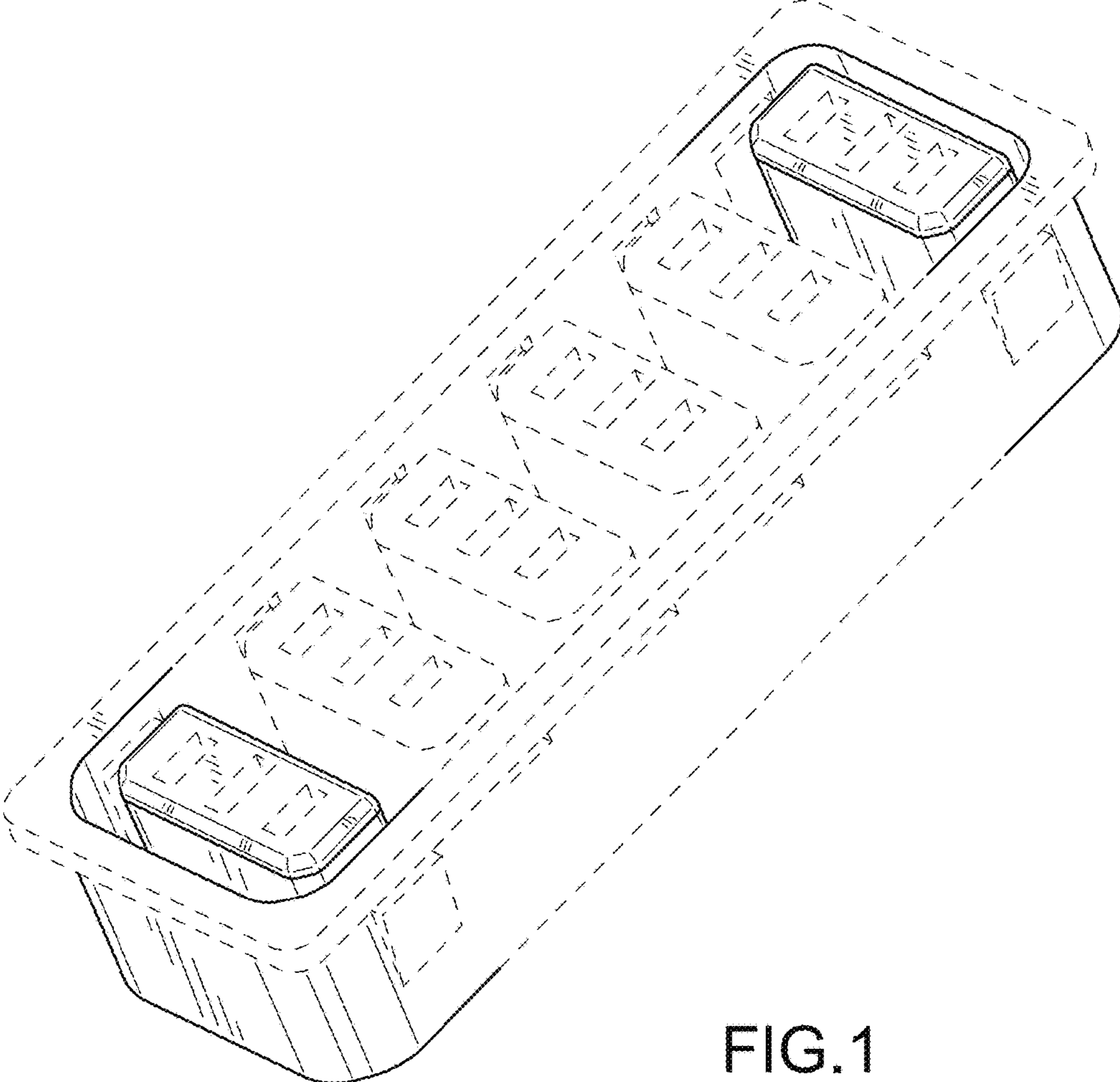


FIG.1

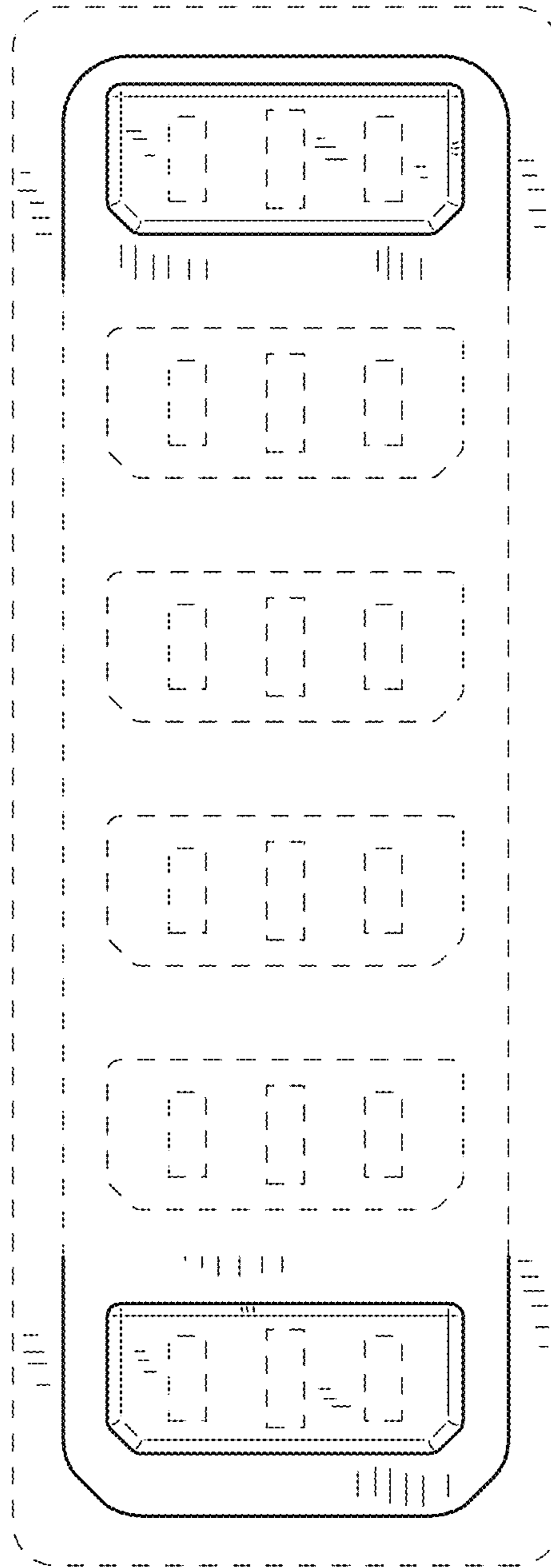


FIG.2

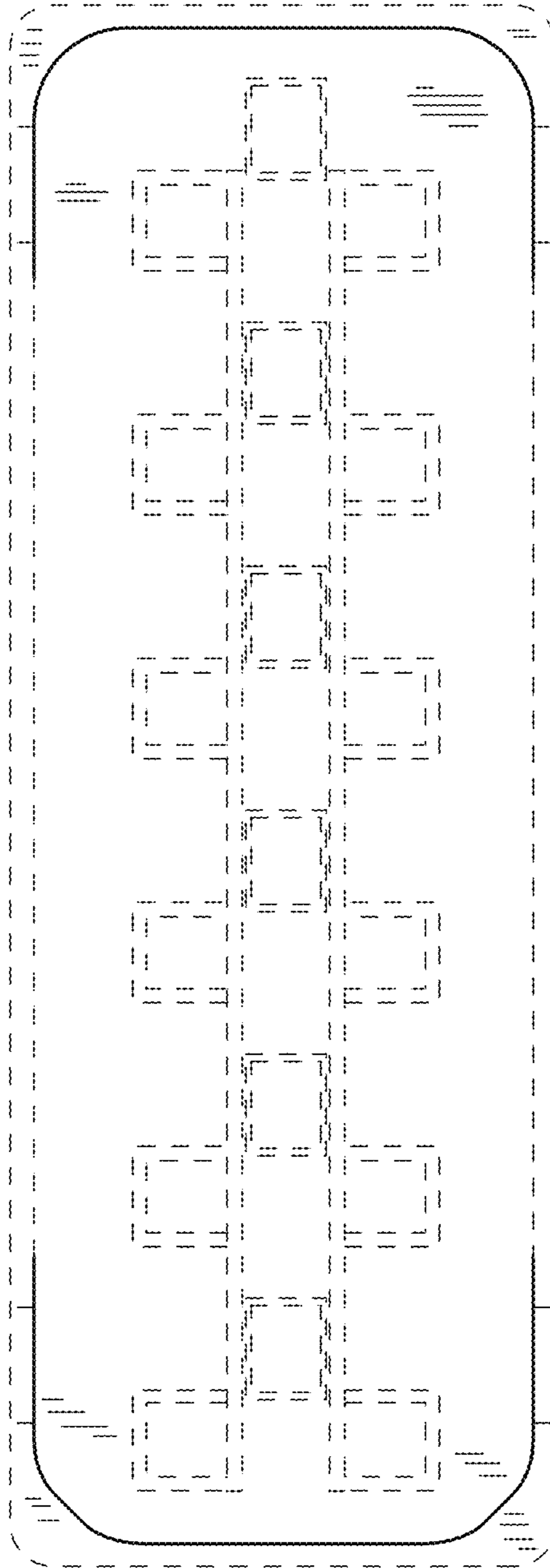


FIG. 3

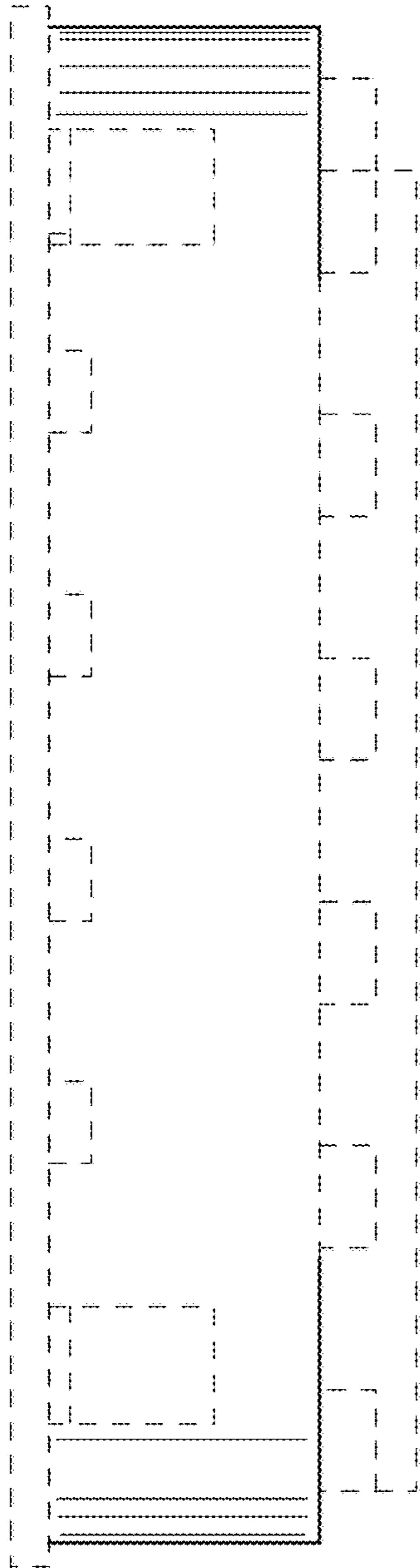


FIG. 4

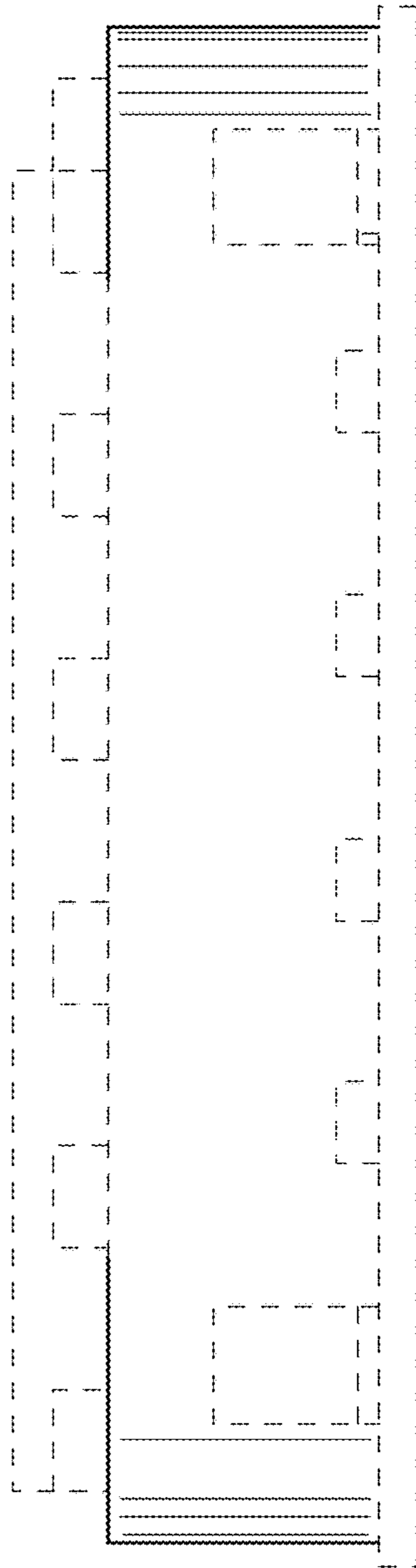


FIG. 5

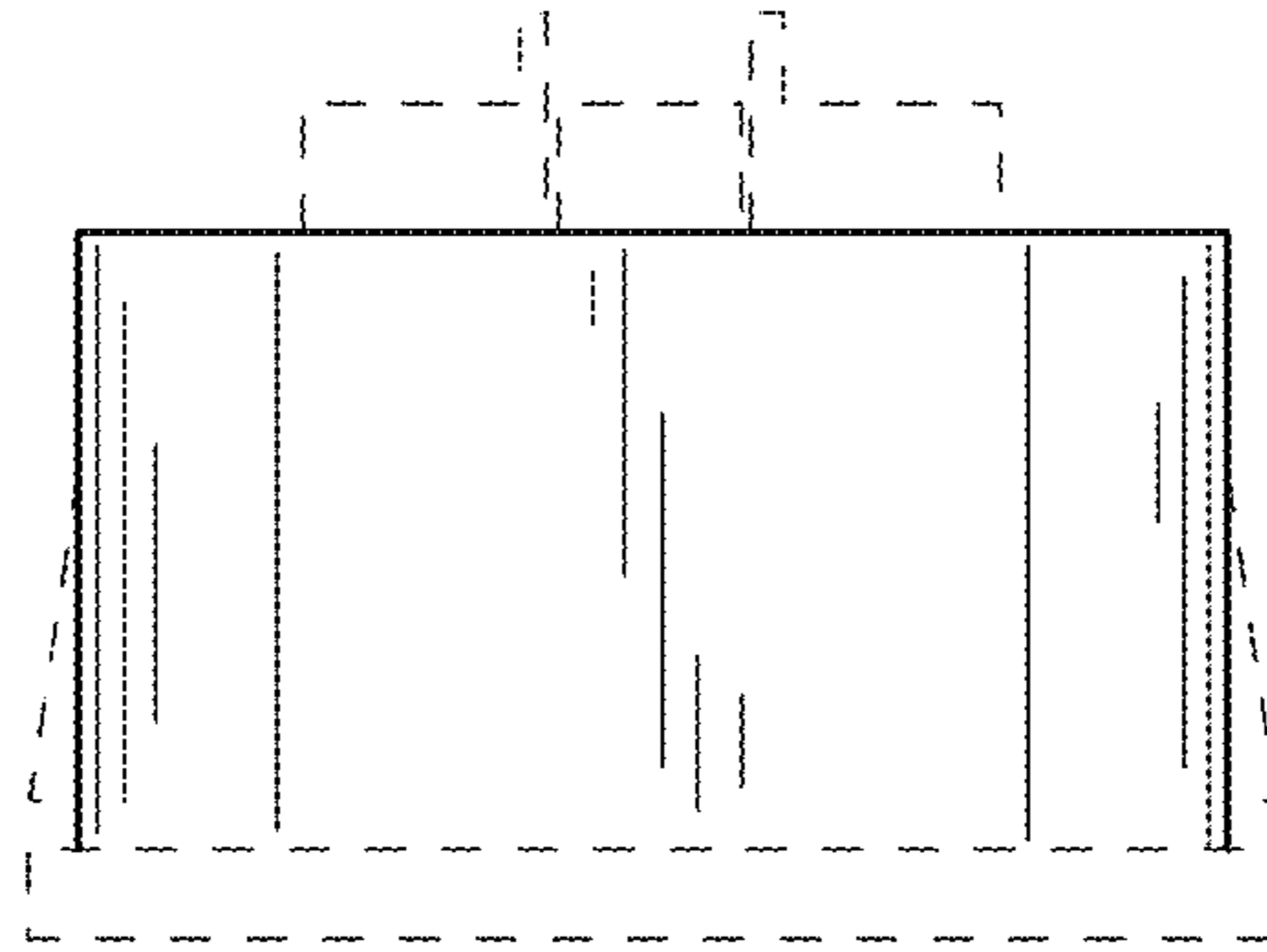


FIG. 6

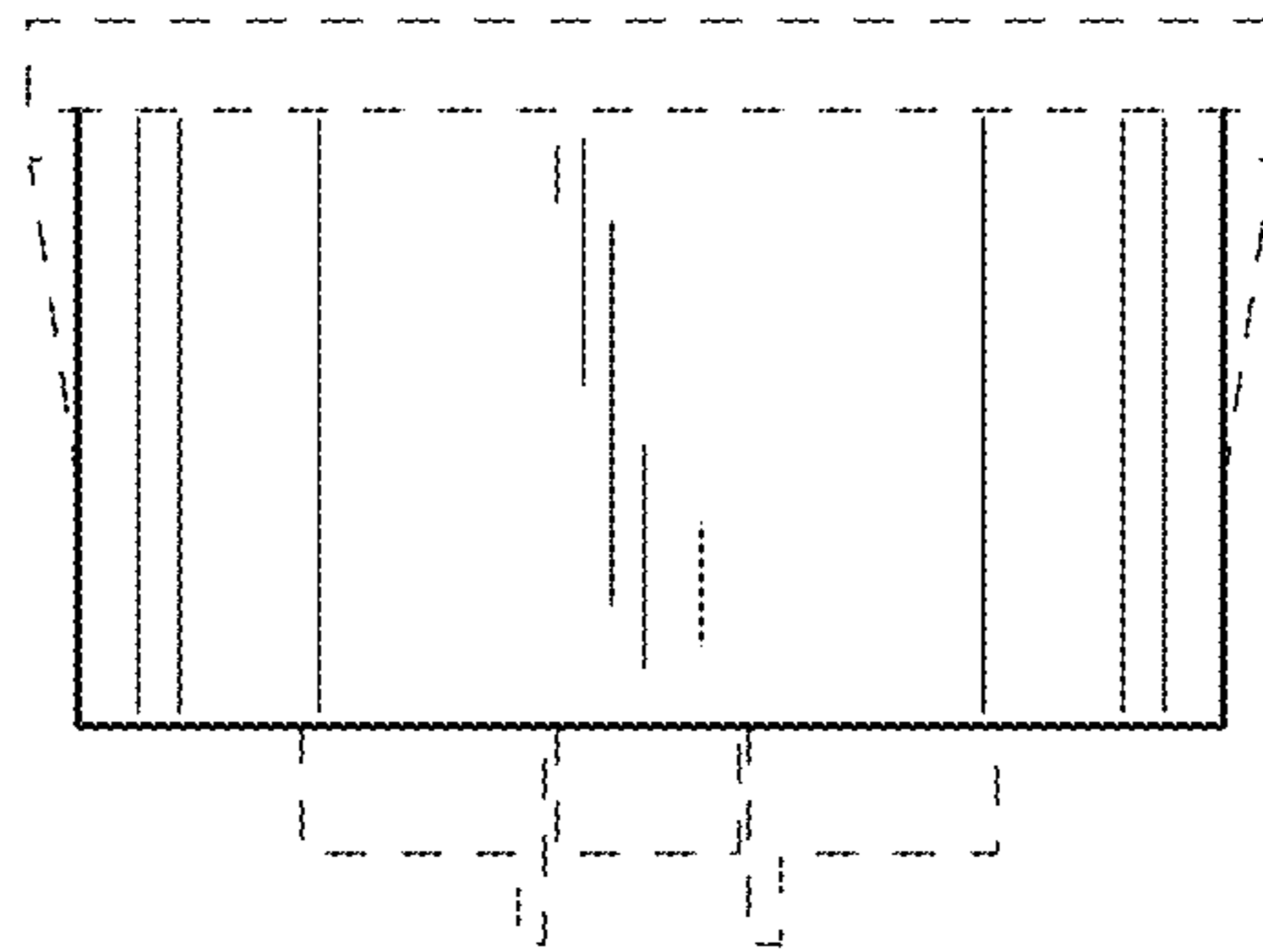


FIG. 7

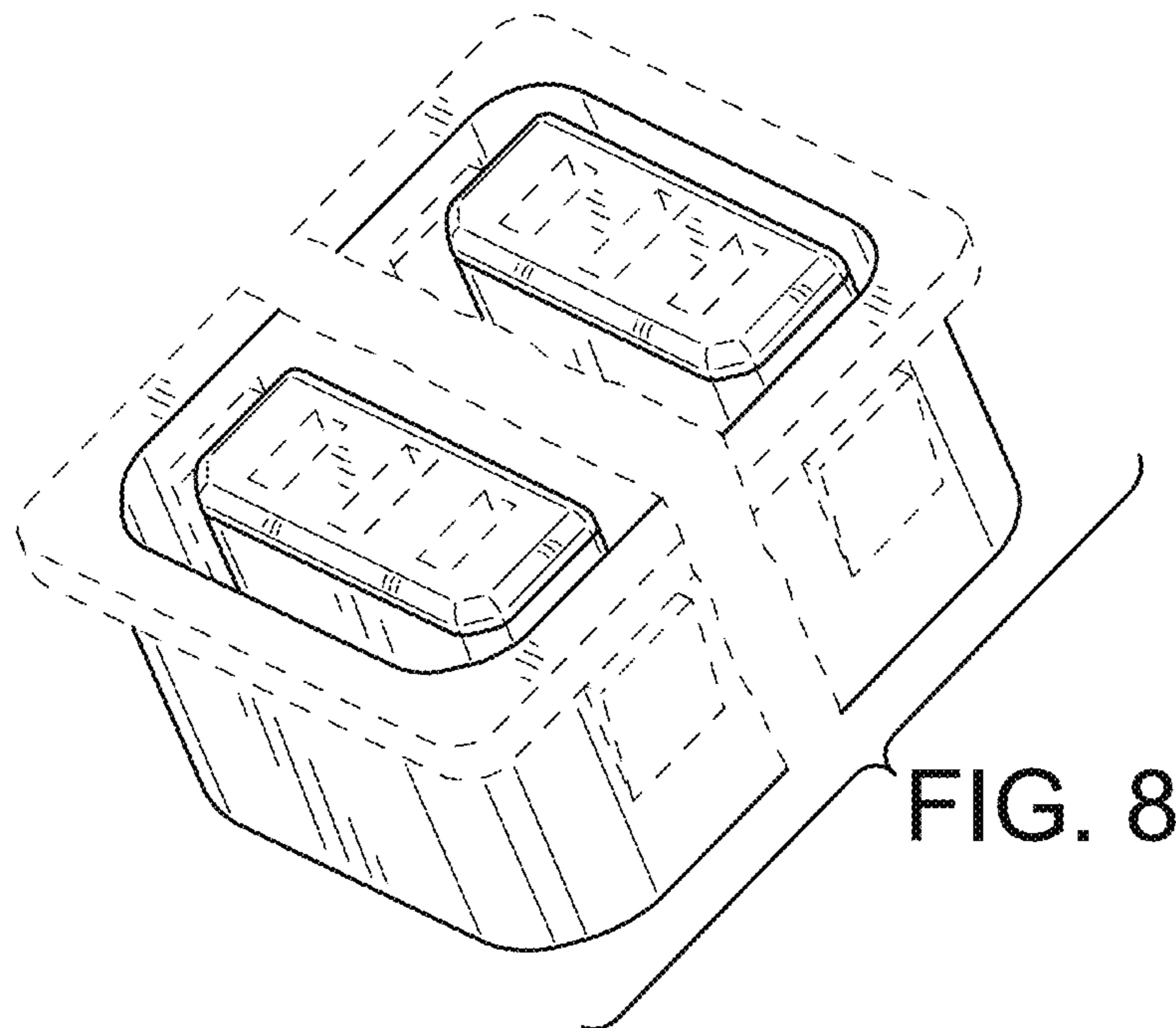


FIG. 8

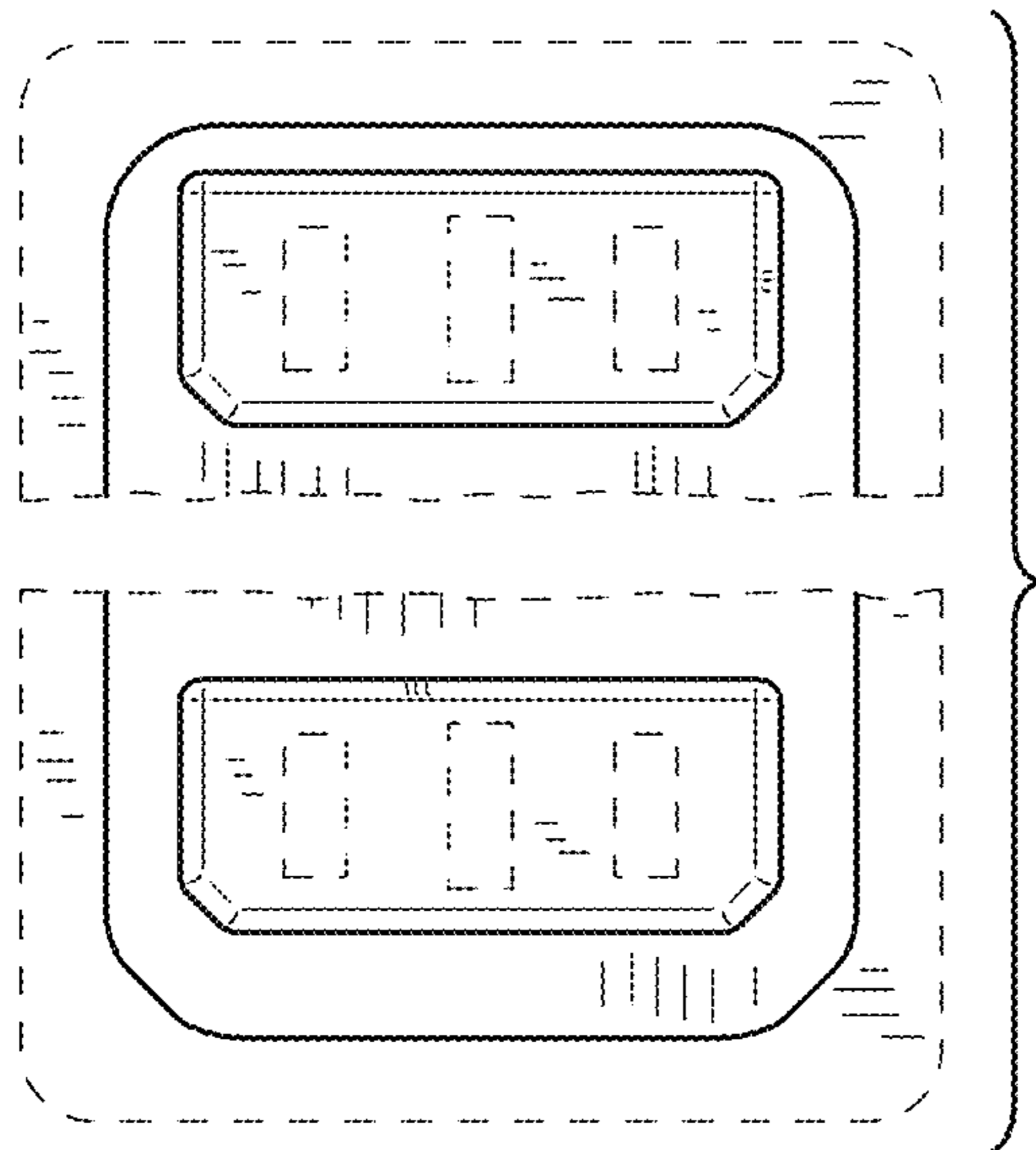


FIG. 9

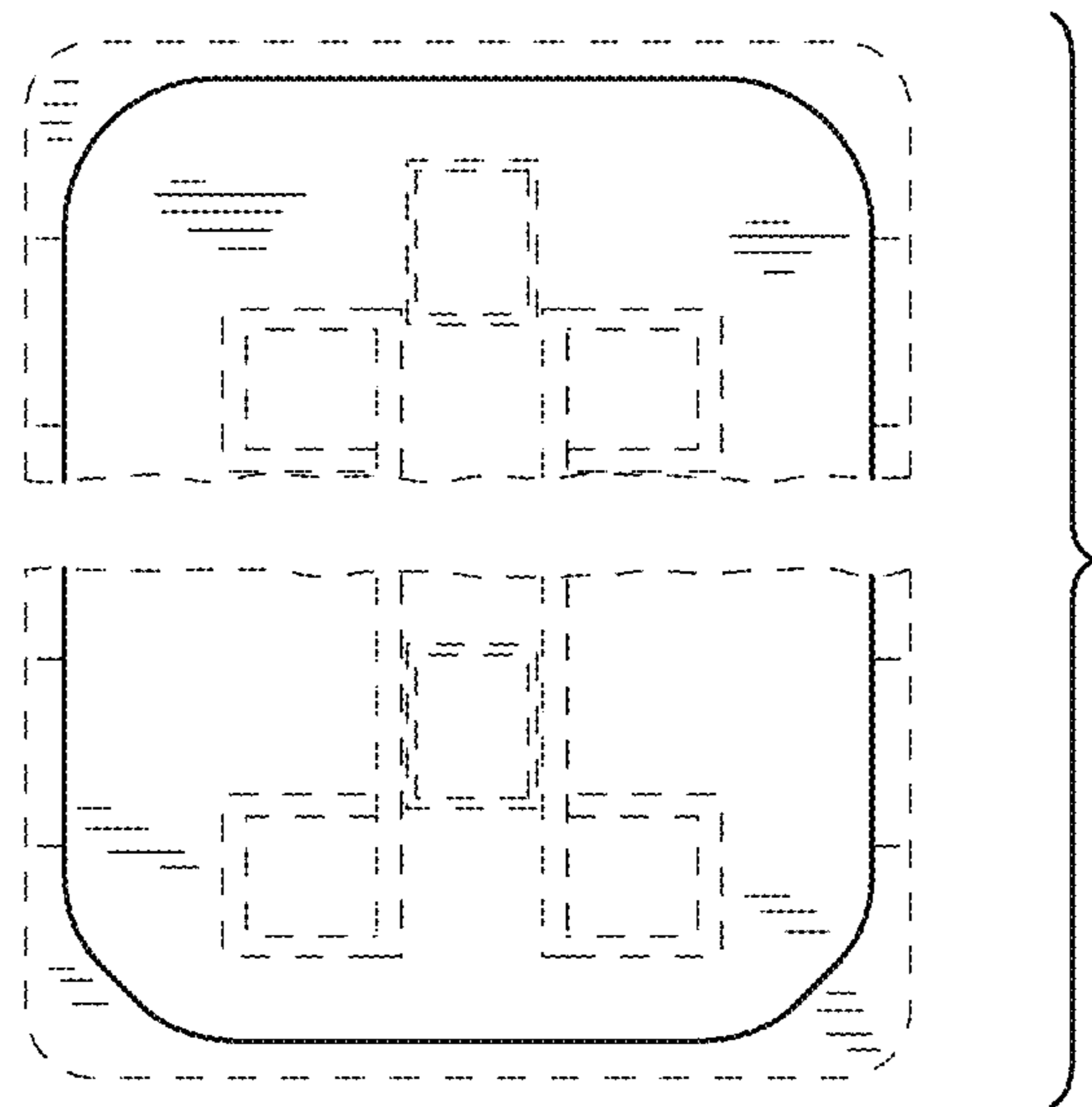


FIG. 10

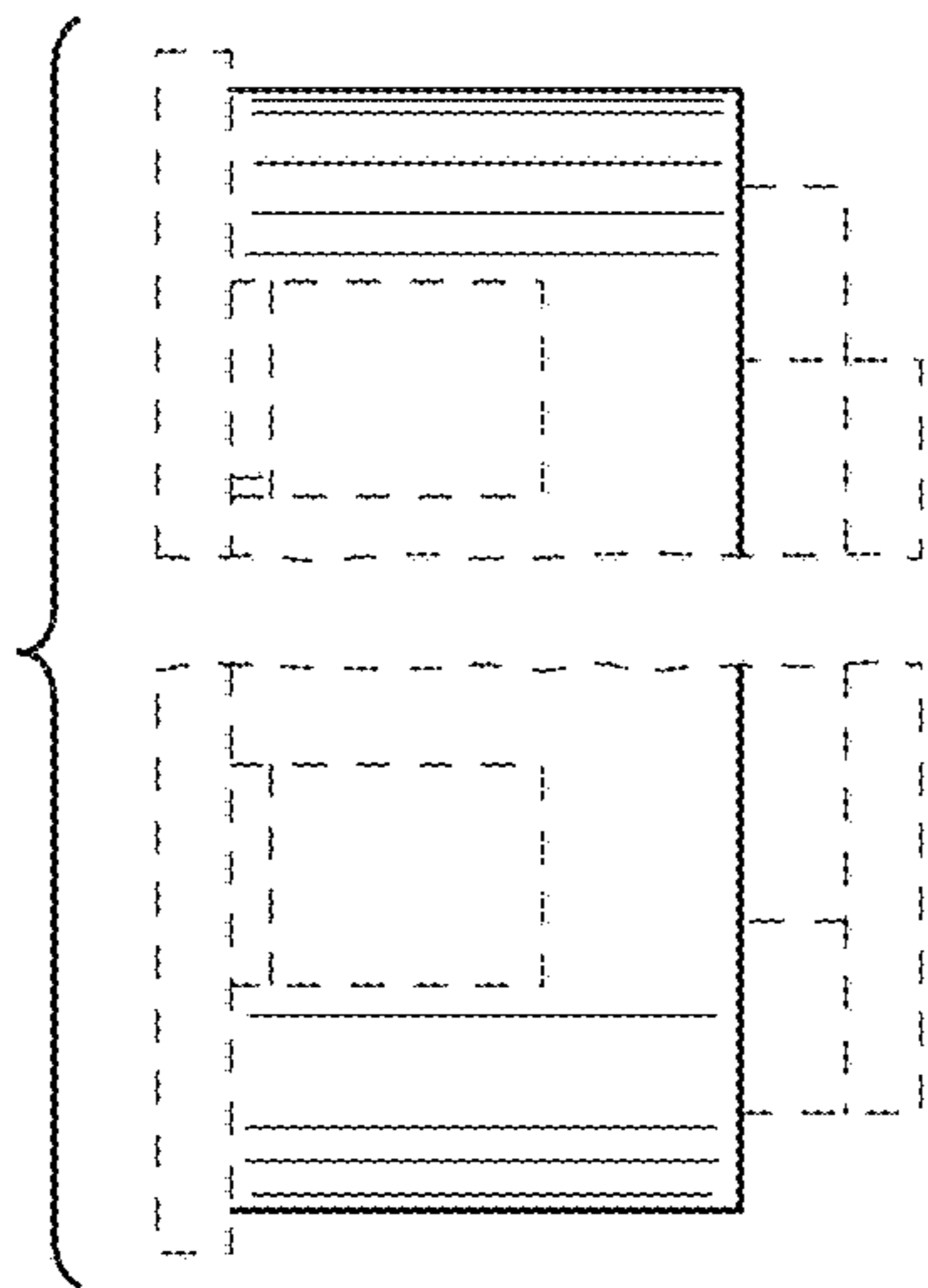


FIG.11

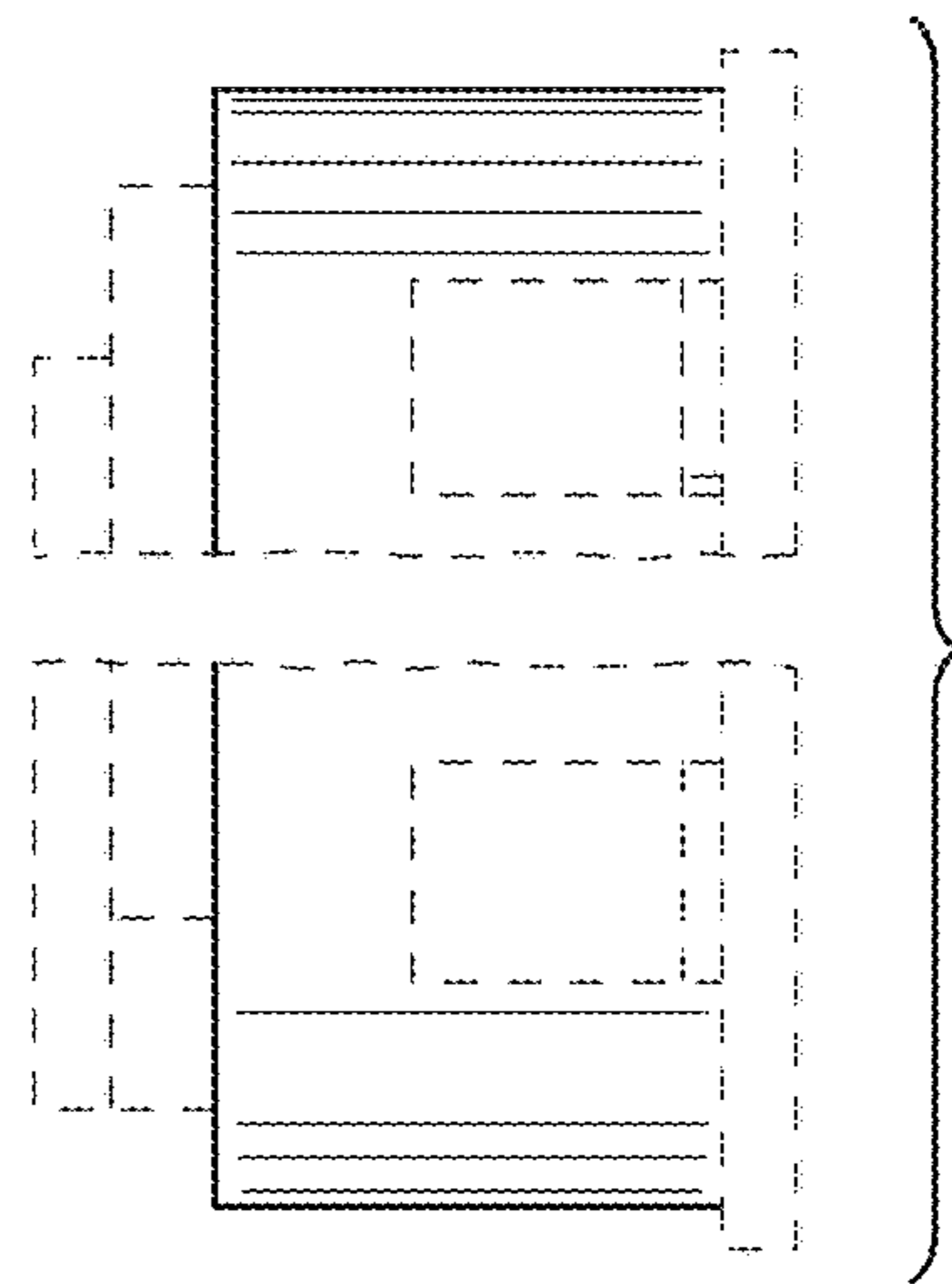


FIG.12

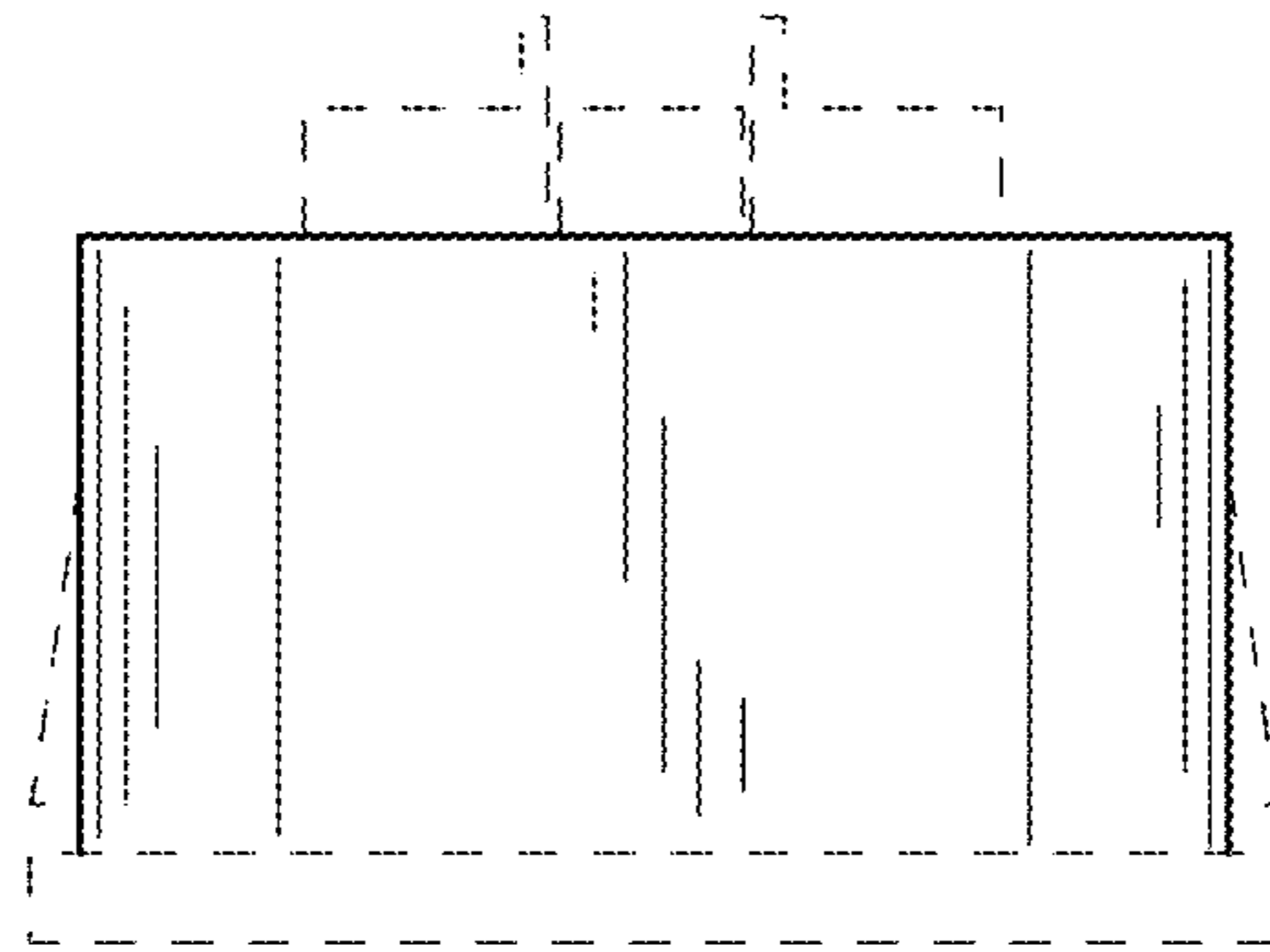


FIG.13

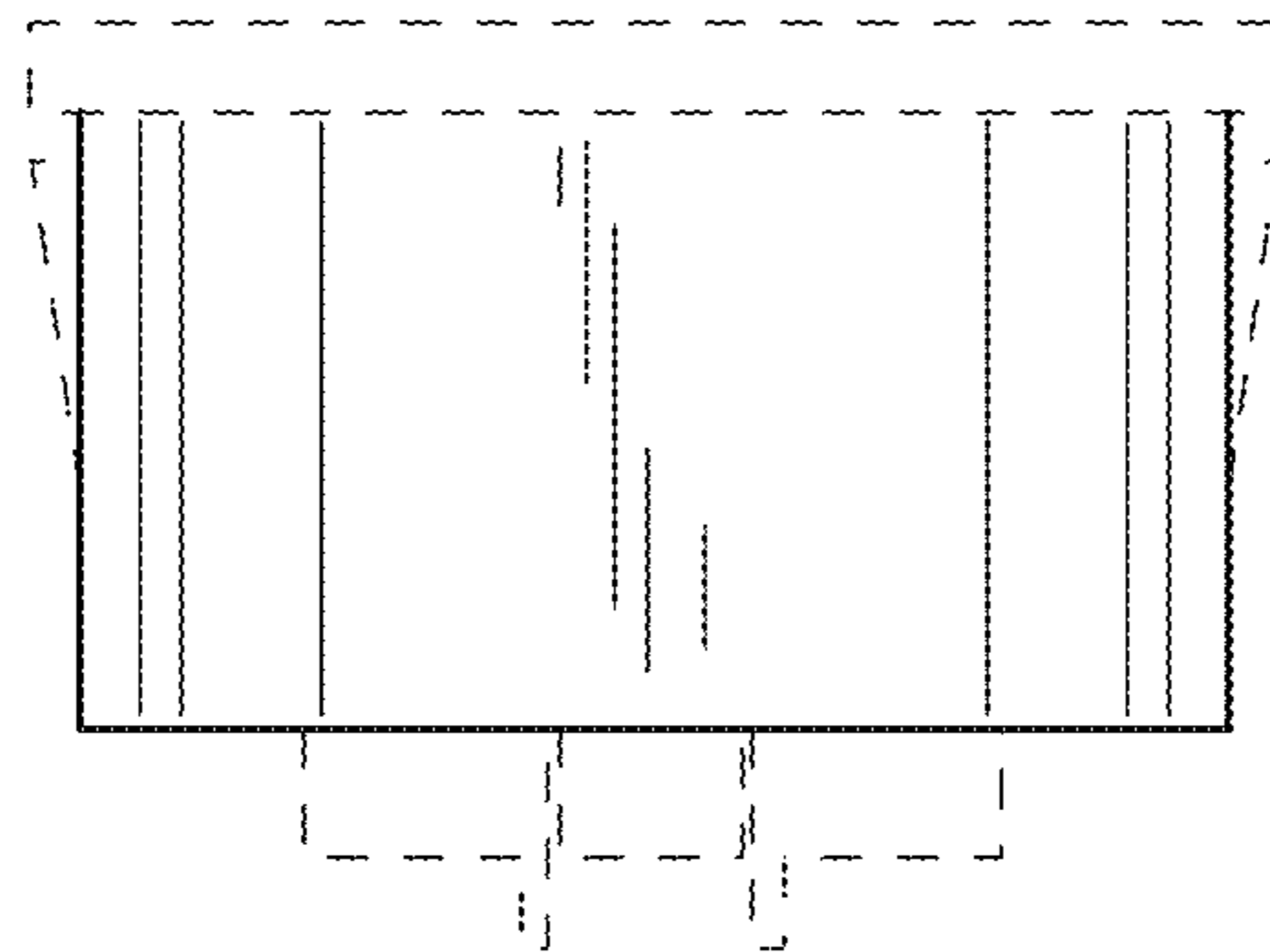


FIG.14