



US00D809459S

(12) **United States Design Patent**
Battistella

(10) **Patent No.:** **US D809,459 S**
(45) **Date of Patent:** **** Feb. 6, 2018**

- (54) **ELECTRIC MOTOR**
- (71) Applicant: **AMER S.P.A.**, Valdagno (IT)
- (72) Inventor: **Francesco Battistella**, Valdagno (IT)
- (73) Assignee: **AMER S.P.A.**, Valdagno (IT)
- (**) Term: **15 Years**
- (21) Appl. No.: **29/563,643**
- (22) Filed: **May 6, 2016**
- (51) **LOC (11) Cl.** **13-01**
- (52) **U.S. Cl.**
USPC **D13/112**
- (58) **Field of Classification Search**
USPC D13/112, 113, 114, 118, 122, 184, 199;
D15/1, 5; 290/36 R, 38 R, 39; 310/10,
310/20, 40 R, 40 MM, 42, 68 D, 75 R,
310/80, 83, 88, 89, 98, 109, 114
CPC H02K 5/06; H02K 5/22; H02K 5/225;
H02K 11/33; H02K 9/06; H02K 9/12;
H02K 9/14; H02K 9/18; H02K 9/20;
H02K 7/1025; H02K 7/20918; H02K
3/24; H02K 3/47; F02B 63/04; F28D
15/0266; F28D 15/02; F28F 1/20
See application file for complete search history.

- 4,593,217 A * 6/1986 Levine H02K 17/30
310/89
- D297,426 S * 8/1988 Mabuchi D13/112
- D304,169 S * 10/1989 Hoshino D13/112
- D329,839 S * 9/1992 Ehrhart D13/112
- 5,268,607 A * 12/1993 McManus F16C 35/02
310/43
- 6,713,916 B1 * 3/2004 Williams H02K 5/00
310/58
- D562,237 S * 2/2008 Tu D13/112
- D579,869 S * 11/2008 Lau D13/112
- 2009/0140585 A1 * 6/2009 Pant H02K 5/225
310/71

* cited by examiner

Primary Examiner — Derrick Holland
(74) *Attorney, Agent, or Firm* — Cantor Colburn LLP

(57) **CLAIM**

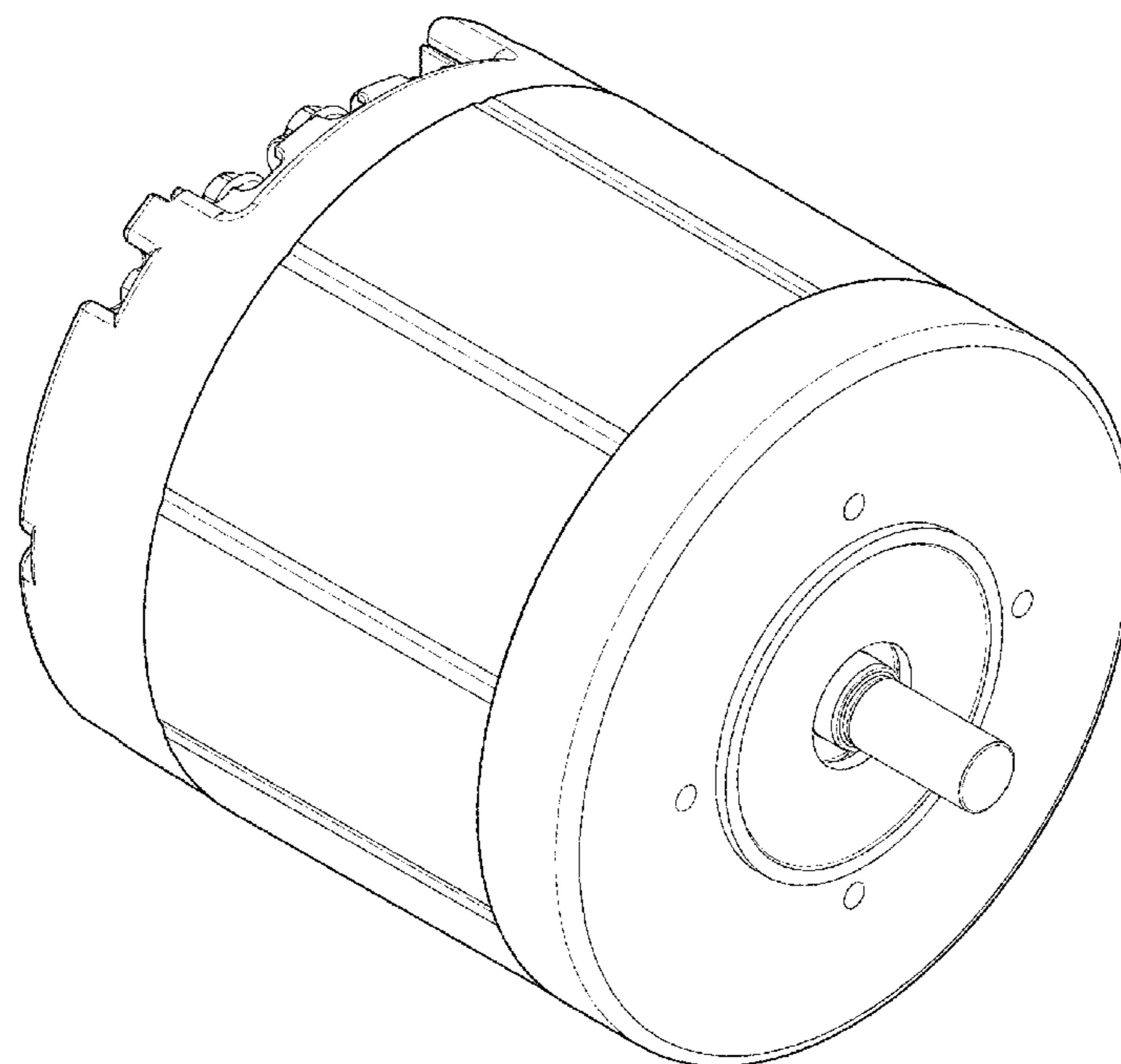
I claim, the ornamental design for an electric motor, as shown and described.

DESCRIPTION

FIG. 1 is a perspective view of an electric motor, showing my new design;
FIG. 2 is a front elevation view thereof;
FIG. 3 is a rear elevation view thereof;
FIG. 4 is a left side elevation view thereof;
FIG. 5 is a right side elevation view thereof;
FIG. 6 is a top plan view thereof;
FIG. 7 is a bottom plan view thereof; and,
FIG. 8 is a rear perspective view thereof.

1 Claim, 8 Drawing Sheets

- (56) **References Cited**
U.S. PATENT DOCUMENTS
3,350,586 A * 10/1967 Otto H02K 5/225
310/71
D245,498 S * 8/1977 Andreas D13/112



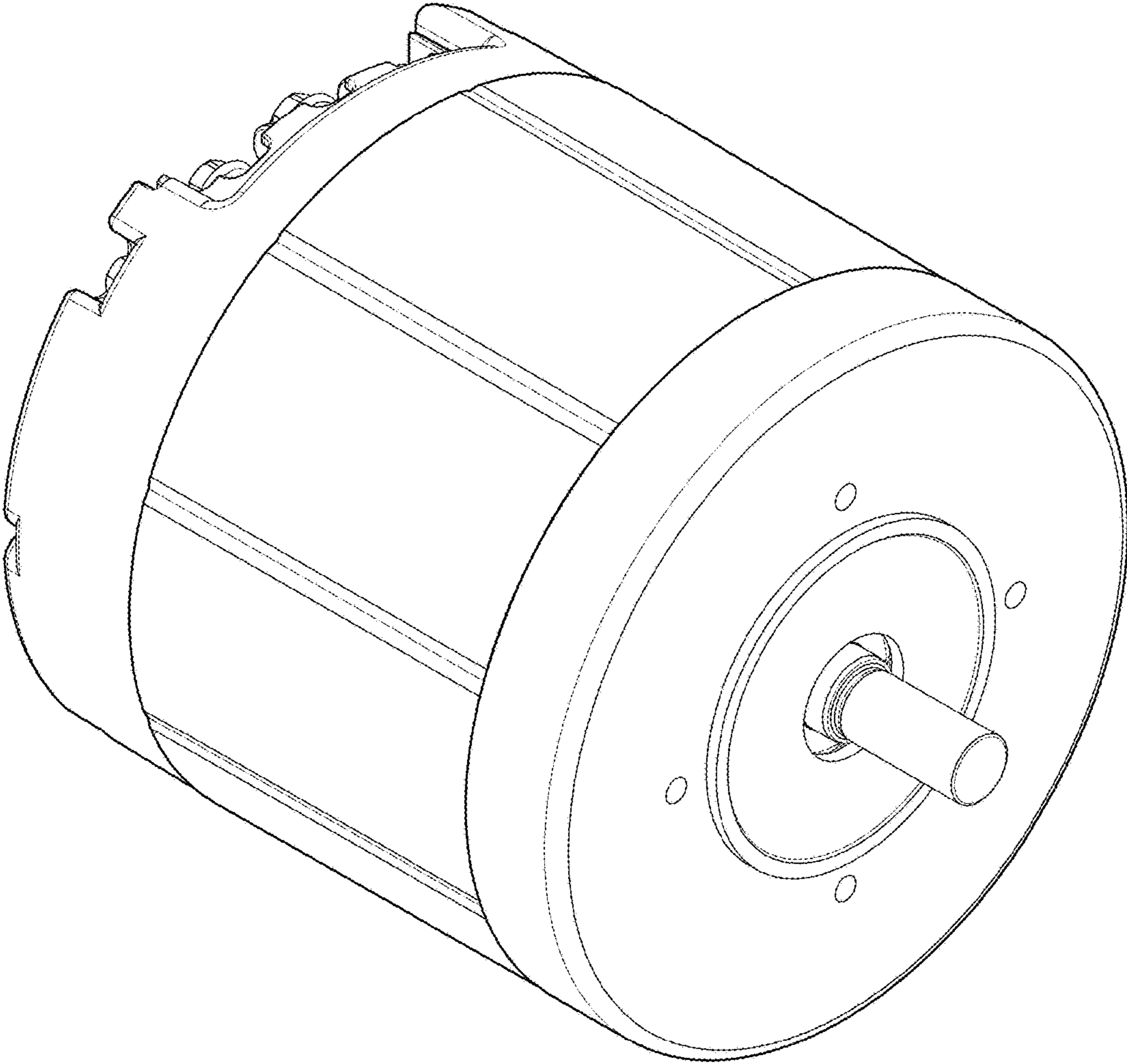


Fig. 1

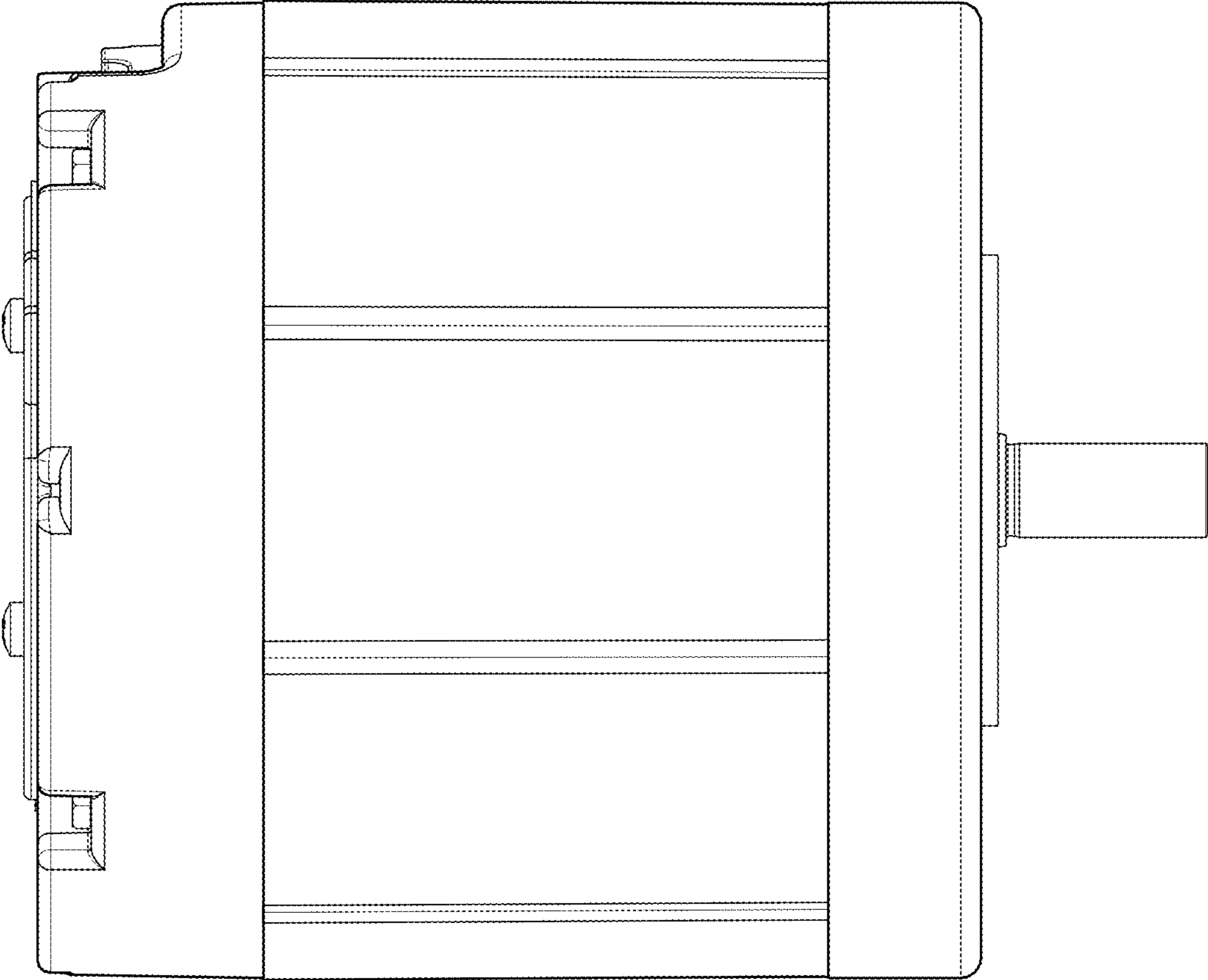


Fig. 2

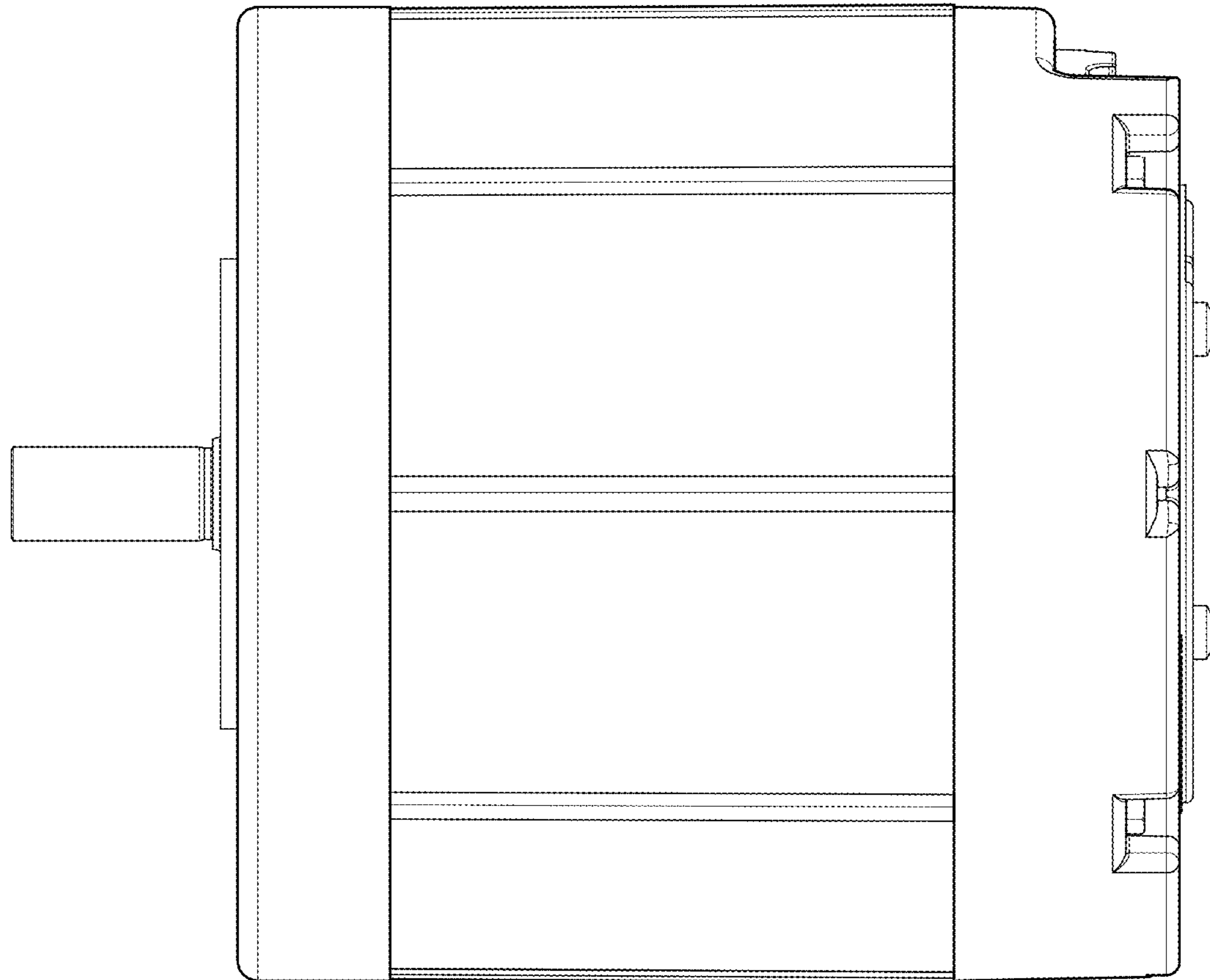


Fig. 3

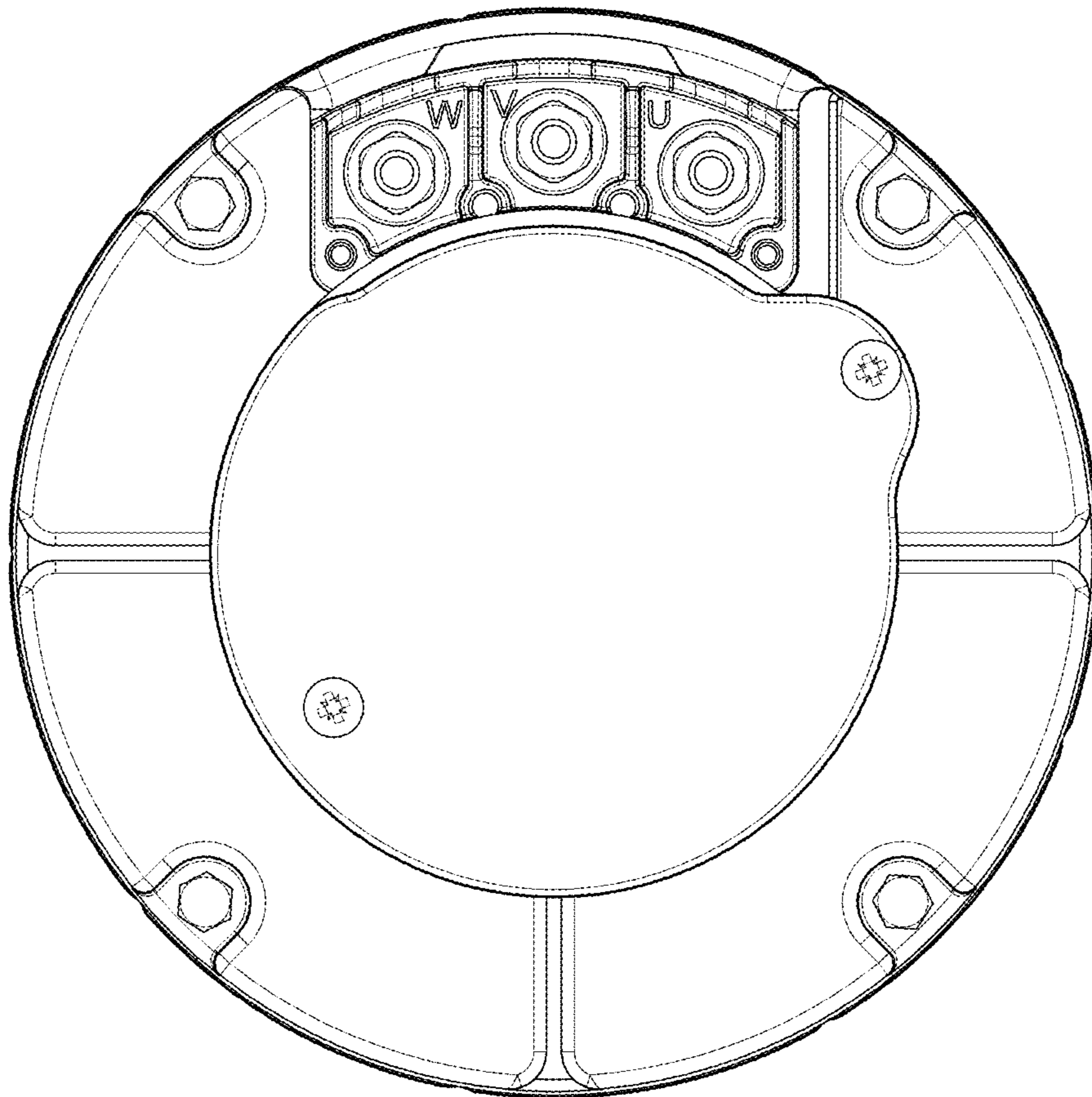


Fig. 4

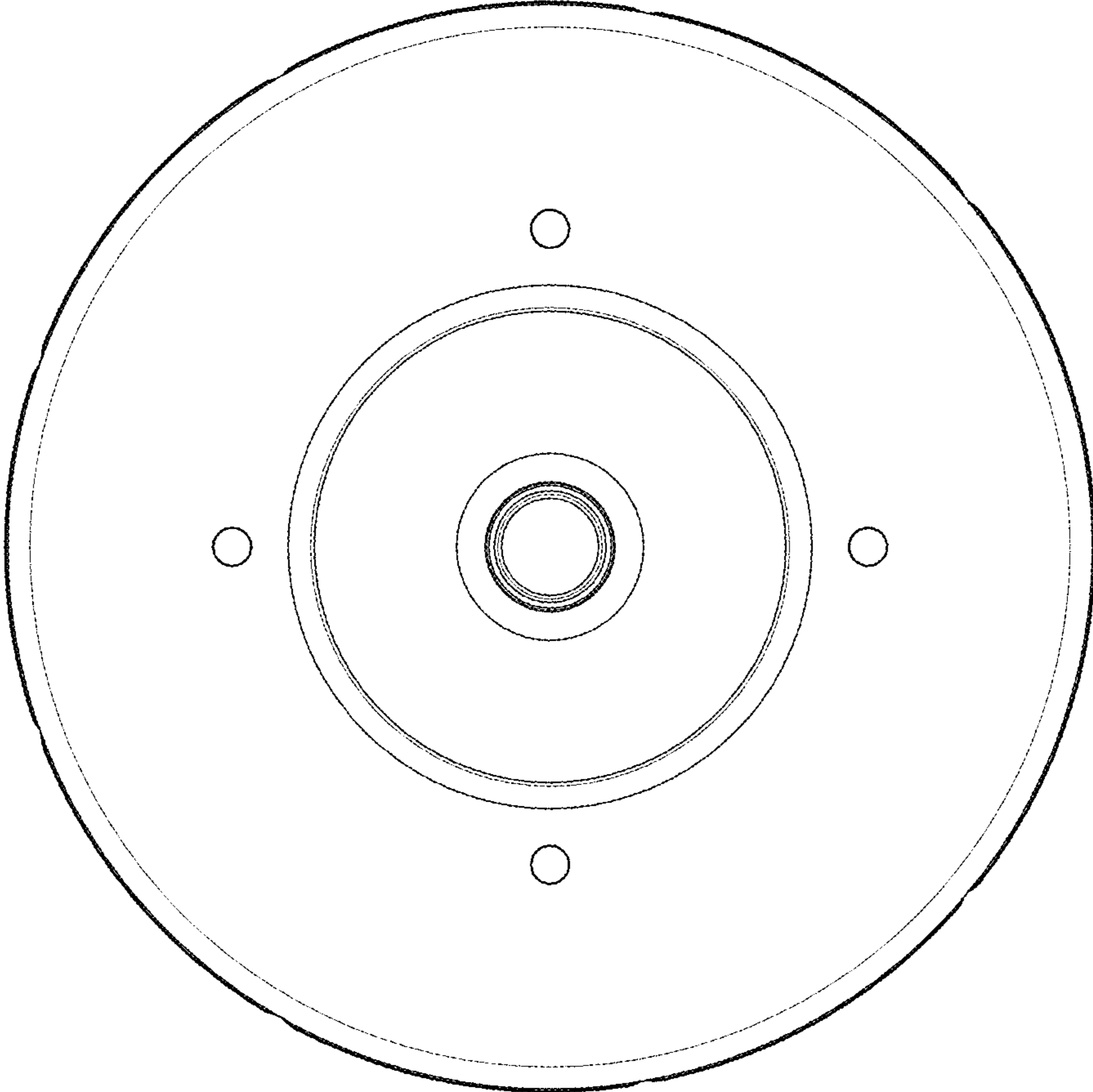


Fig. 5

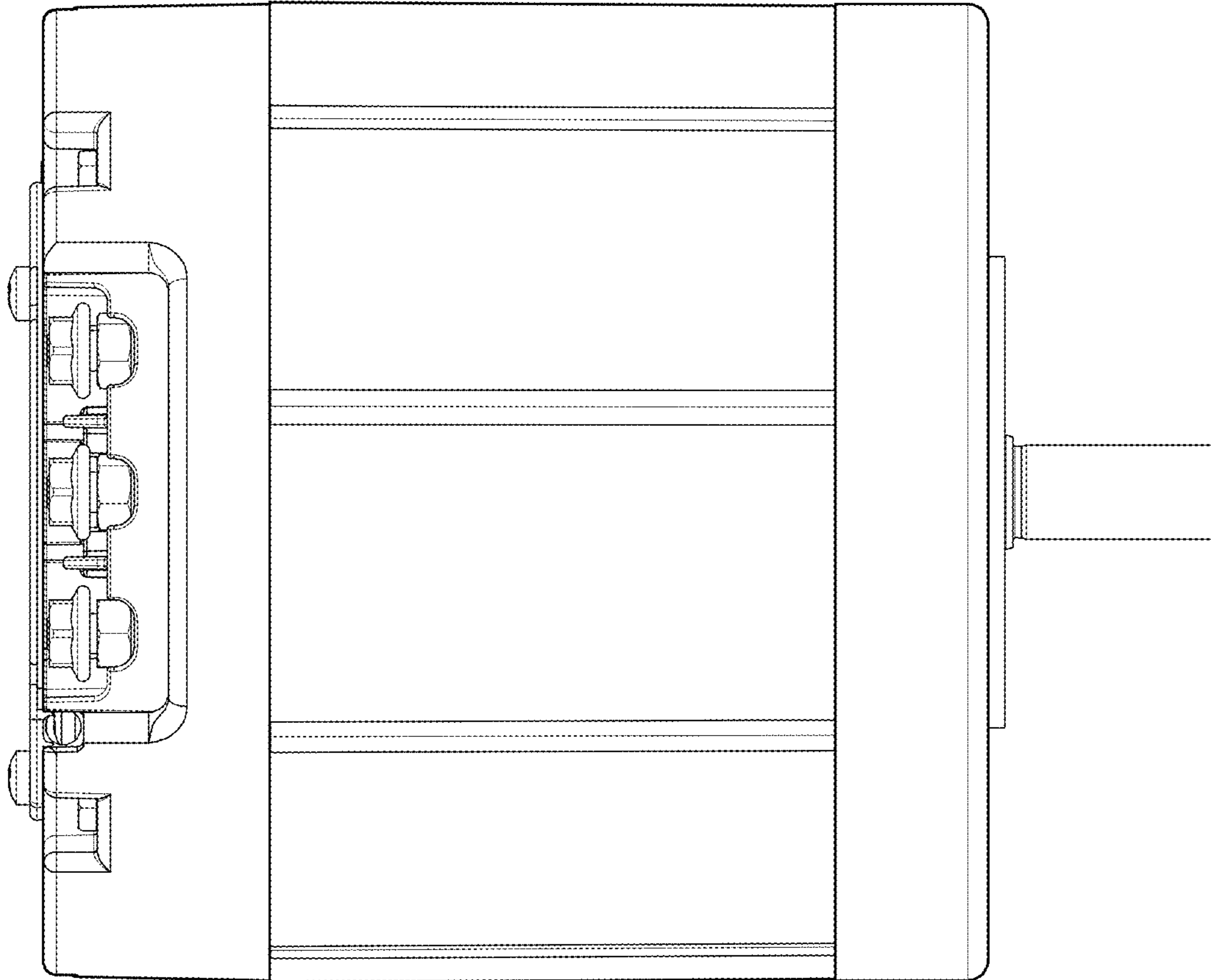


Fig. 6

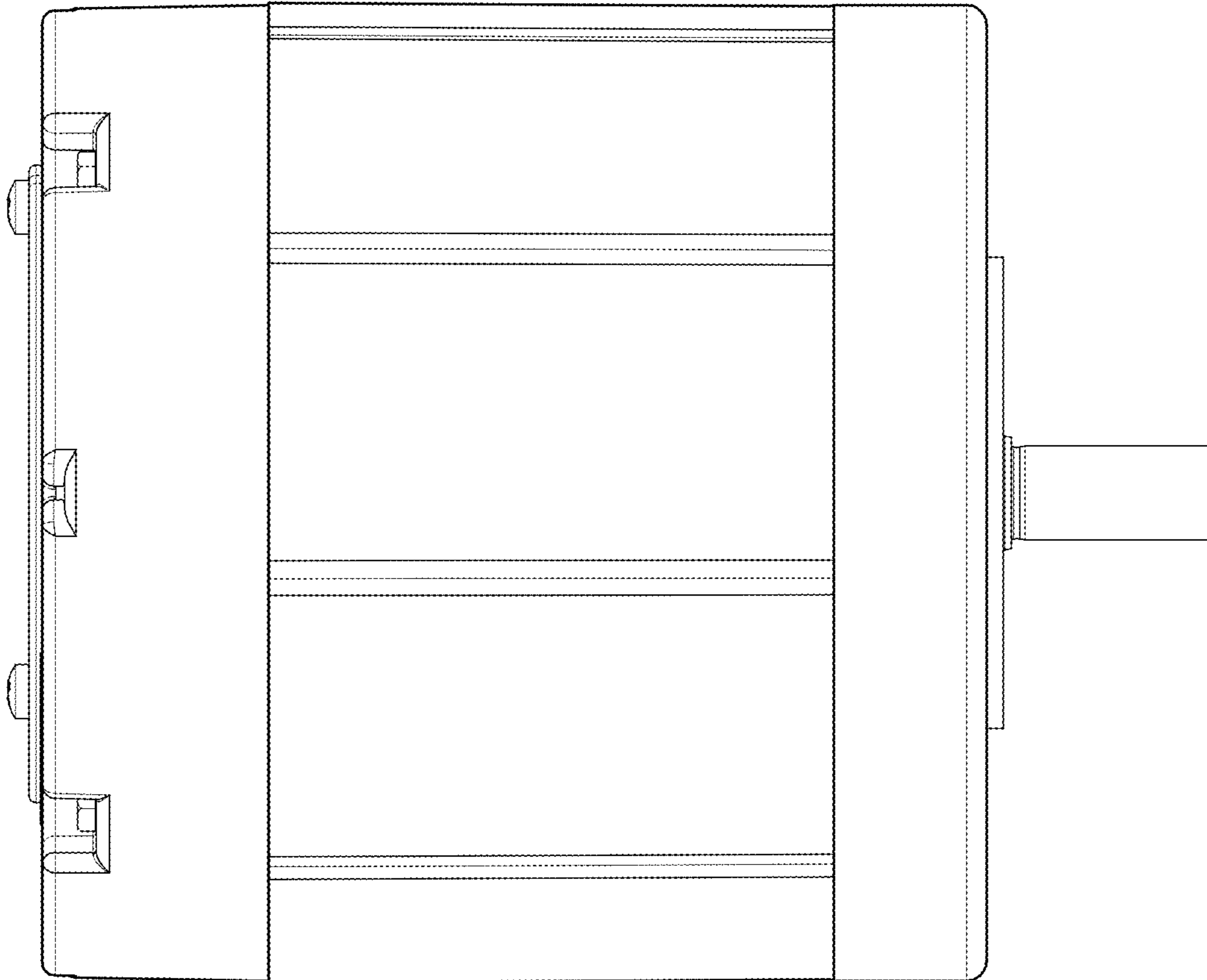


Fig. 7

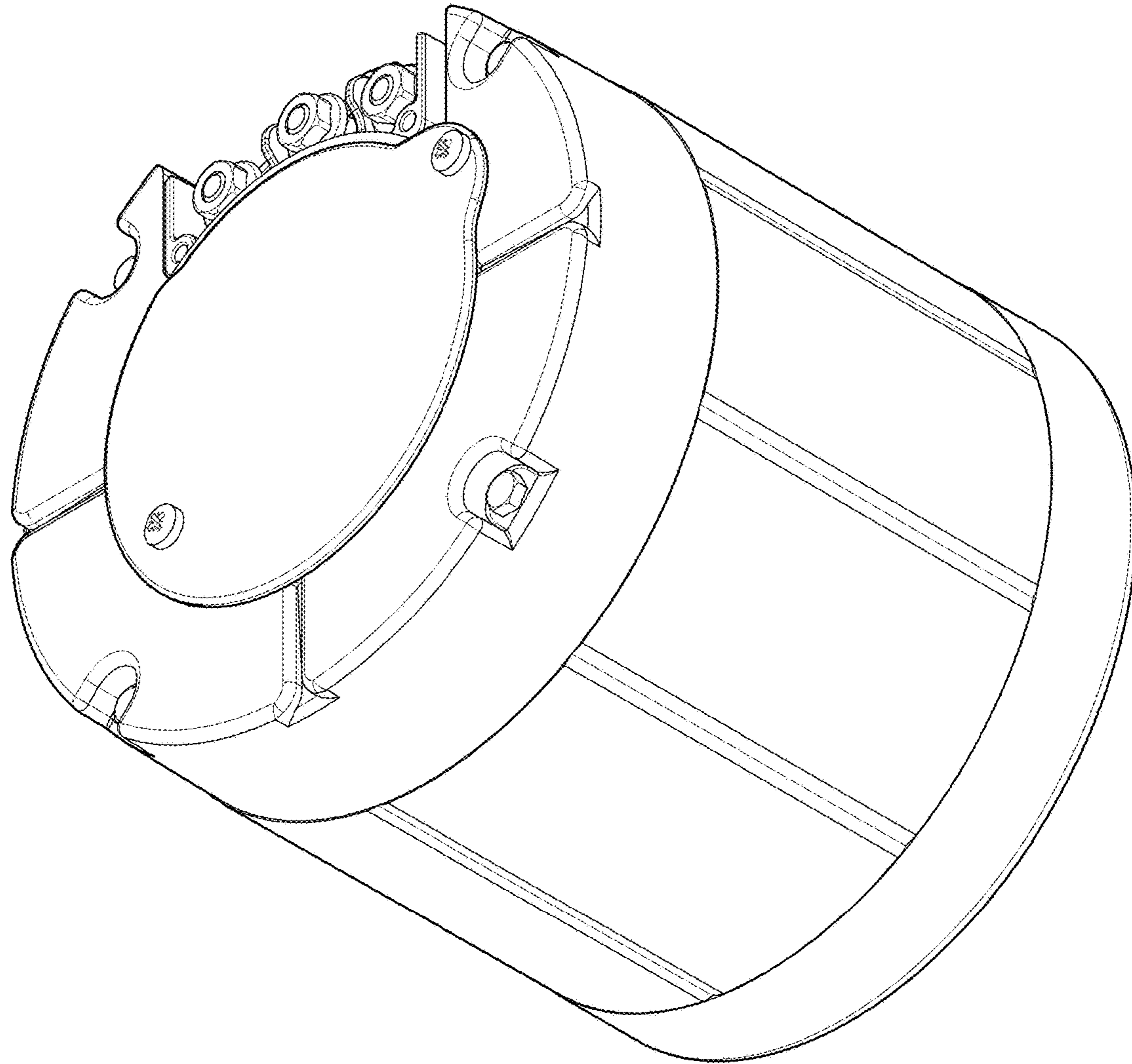


Fig. 8