



US00D809456S

(12) **United States Design Patent**
Miller et al.

(10) **Patent No.:** **US D809,456 S**
(45) **Date of Patent:** **** Feb. 6, 2018**

(54) **POWER ADAPTER**

(71) Applicant: **Halo2Cloud LLC**, Glastonbury, CT (US)

(72) Inventors: **Garold C. Miller**, Glastonbury, CT (US); **Nathan Daniel Weinstein**, Glastonbury, CT (US)

(73) Assignee: **HALO2CLOUD, LLC**, Hartford, CT (US)

(**) Term: **15 Years**

(21) Appl. No.: **29/558,561**

(22) Filed: **Mar. 18, 2016**

(51) **LOC (11) Cl.** **13-02**

(52) **U.S. Cl.**
USPC **D13/110**

(58) **Field of Classification Search**
USPC D13/107, 108, 110, 118, 123, 133, 134, D13/137.2, 137.3, 139.1, 139.2, 146, 147, D13/148, 149, 150, 151, 152, 154, 156, D13/158, 159, 162, 173, 179, 184, 199; D10/105, 106.2, 106.5, 106.6, 106.8, D10/114.8; D15/138; D21/464; D26/26, D26/85; D28/8

CPC H01R 9/2408; H01R 13/24; H01R 13/72; H01R 27/00; H01R 12/718; H01R 12/88; H01R 12/89; H01R 13/5205; H01R 13/5221; H01R 13/5816; H01R 13/582; H01R 13/5825; H01R 13/5829; H01R 13/5833; H01R 13/6275; H01R 13/6589; H01R 13/743; H01R 13/745; H01R 23/727; H01R 31/06; H01R 31/065; H02J 7/0042; G02B 6/1228

See application file for complete search history.

(56) **References Cited**

U.S. PATENT DOCUMENTS

D478,310 S 8/2003 Andre et al.
D478,546 S 8/2003 Andre et al.

D599,737 S 9/2009 Amidei et al.
D599,738 S 9/2009 Amidei et al.
D610,094 S 2/2010 Ouimette et al.
D616,363 S 5/2010 Weng
7,766,698 B1 8/2010 De Iuliiis et al.
D628,151 S 11/2010 Wegener et al.

(Continued)

OTHER PUBLICATIONS

AC Adapter M7332 for Apple, posted at Amazon.com, posted on Apr. 18, 2014, [online], [site visited Apr. 10, 2017]. Available from Internet, <<https://www.amazon.com/Adapter-M7332-Apple-Lap-top-Power/dp/B00IXP1OH2>>.*

(Continued)

Primary Examiner — Mary Ann Calabrese

Assistant Examiner — Catherine Ho

(74) *Attorney, Agent, or Firm* — McCormick, Paulding & Huber LLP

(57) **CLAIM**

The ornamental design for a power adapter, substantially as shown and described.

DESCRIPTION

FIG. 1 is a front, top perspective view of a power adapter comprising an embodiment of a new, original and ornamental design;

FIG. 2 is a front view thereof;

FIG. 3 is a back view thereof;

FIG. 4 is a left-hand side view thereof;

FIG. 5 is a right-hand side view thereof;

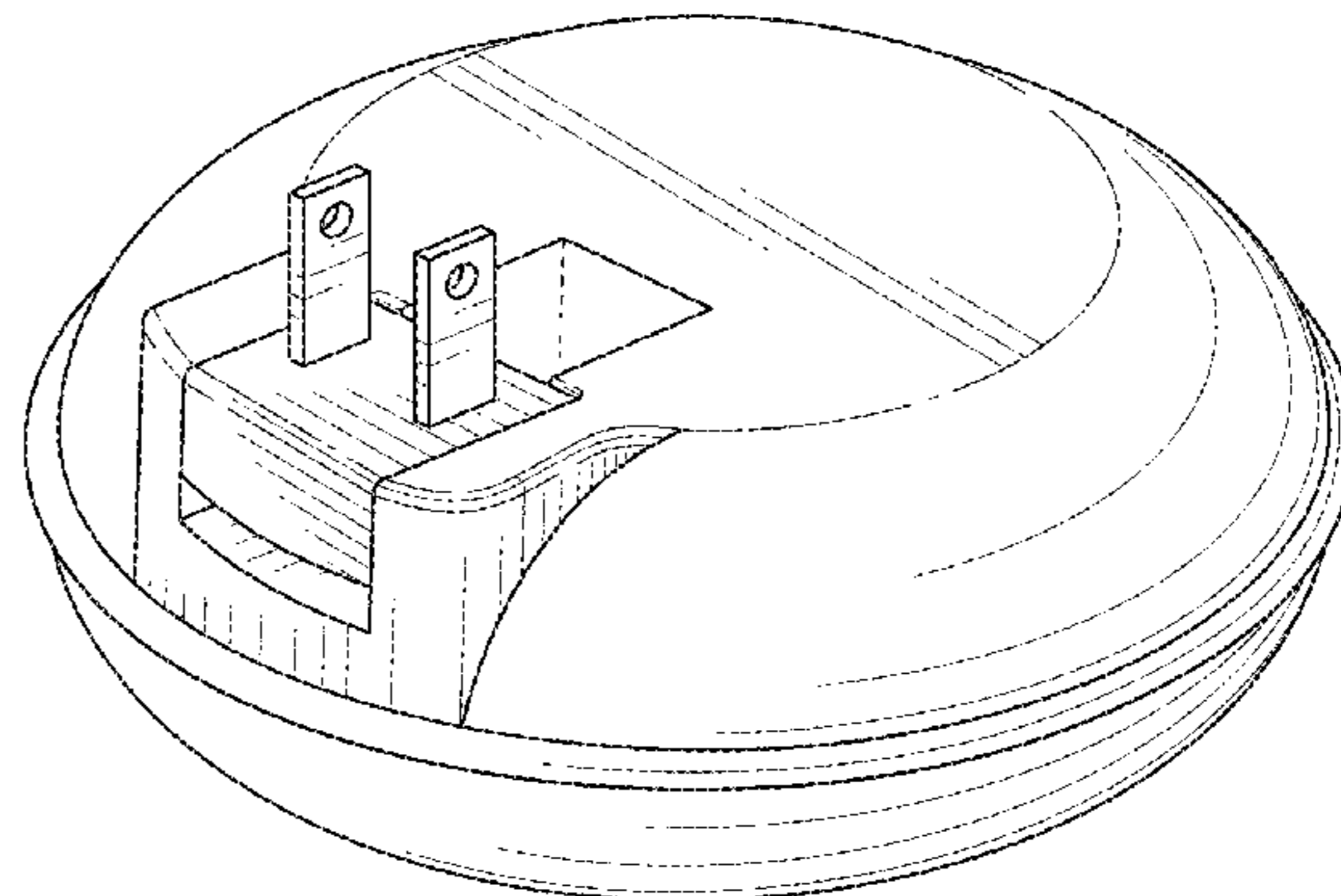
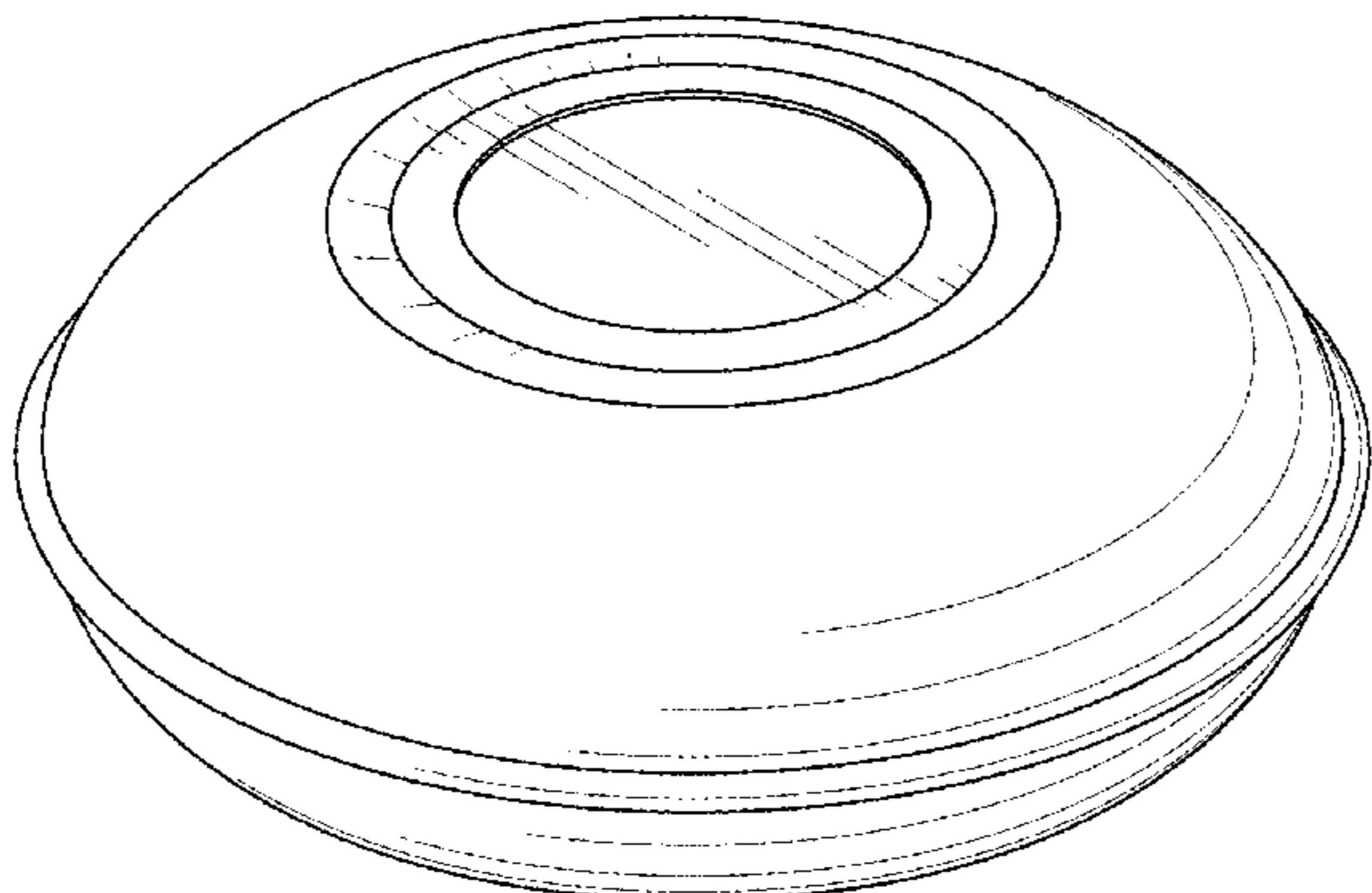
FIG. 6 is a top view thereof;

FIG. 7 is a bottom view thereof; and,

FIG. 8 is a back, bottom perspective view thereof.

The broken line portions of the figure drawings are included to show unclaimed subject matter only and form no part of the claimed design.

1 Claim, 4 Drawing Sheets



(56)

References Cited

U.S. PATENT DOCUMENTS

D628,152 S 11/2010 Fujii et al.
 D628,153 S 11/2010 Fujii et al.
 D633,231 S * 2/2011 Morrison D26/24
 D636,725 S 4/2011 Levy et al.
 D641,695 S 7/2011 Wegener et al.
 D645,818 S * 9/2011 Guccione D13/108
 D647,476 S 10/2011 Ciou
 D649,017 S 11/2011 Stieler
 D656,096 S 3/2012 Sasada et al.
 D659,093 S 5/2012 Schmid et al.
 D666,968 S 9/2012 Huang
 D667,788 S 9/2012 Mai
 D674,748 S 1/2013 Ferber et al.
 D676,377 S 2/2013 Nokuo
 D680,063 S 4/2013 Sasada
 D682,196 S 5/2013 Leung
 D682,197 S 5/2013 Leung
 D694,185 S 11/2013 Matsuoka et al.
 D696,190 S * 12/2013 Brandtman D13/108
 D712,829 S 9/2014 Huang
 D717,484 S * 11/2014 Rozot D26/85
 D720,288 S 12/2014 Ko
 D722,959 S 2/2015 Bulgarov et al.
 D737,760 S * 9/2015 Kyriakoulis D13/108
 D738,303 S 9/2015 Symons
 D740,750 S 10/2015 Mayden et al.

D749,504 S * 2/2016 Jeong D13/108
 D757,014 S 5/2016 Hahn et al.
 D772,813 S 11/2016 Wahl
 D777,103 S 1/2017 Park
 2010/0317255 A1 * 12/2010 Van Dan Elzen A63H 1/30
 446/250
 2013/0119181 A1 5/2013 Fan
 2015/0188339 A1 7/2015 Green et al.
 2016/0175722 A1 * 6/2016 Cai A63H 1/30
 446/250
 2016/0276856 A1 * 9/2016 Miller H02J 7/0042
 2016/0380446 A1 12/2016 Loewen

OTHER PUBLICATIONS

AC Charger with Rewindable Cable for Traveling, posted at Itmedia.co.jp, posted on Oct. 24, 2013, [site visited Apr. 10, 2017]. Available from Internet, <<http://www.itmedia.co.jp/mobile/articles/1310/24/news140.html>>.*
 TATSoul Gen 2, posted at Youtube.com, posted on May 30, 2014, [online], [site visited Apr. 10, 2017]. Available from Internet, <https://youtu.be/8Fh1BecF0e0?list=UU1CoNDhysaSht7A2Ta_bCIA>.*
 Tera Grand—Premium Cat-7, posted at Amazon.com, posted on Jul. 23, 2015, [site visited Apr. 10, 2017]. Available from Internet, <<https://www.amazon.com/dp/B0064EKNKI?psc=1>>.*

* cited by examiner

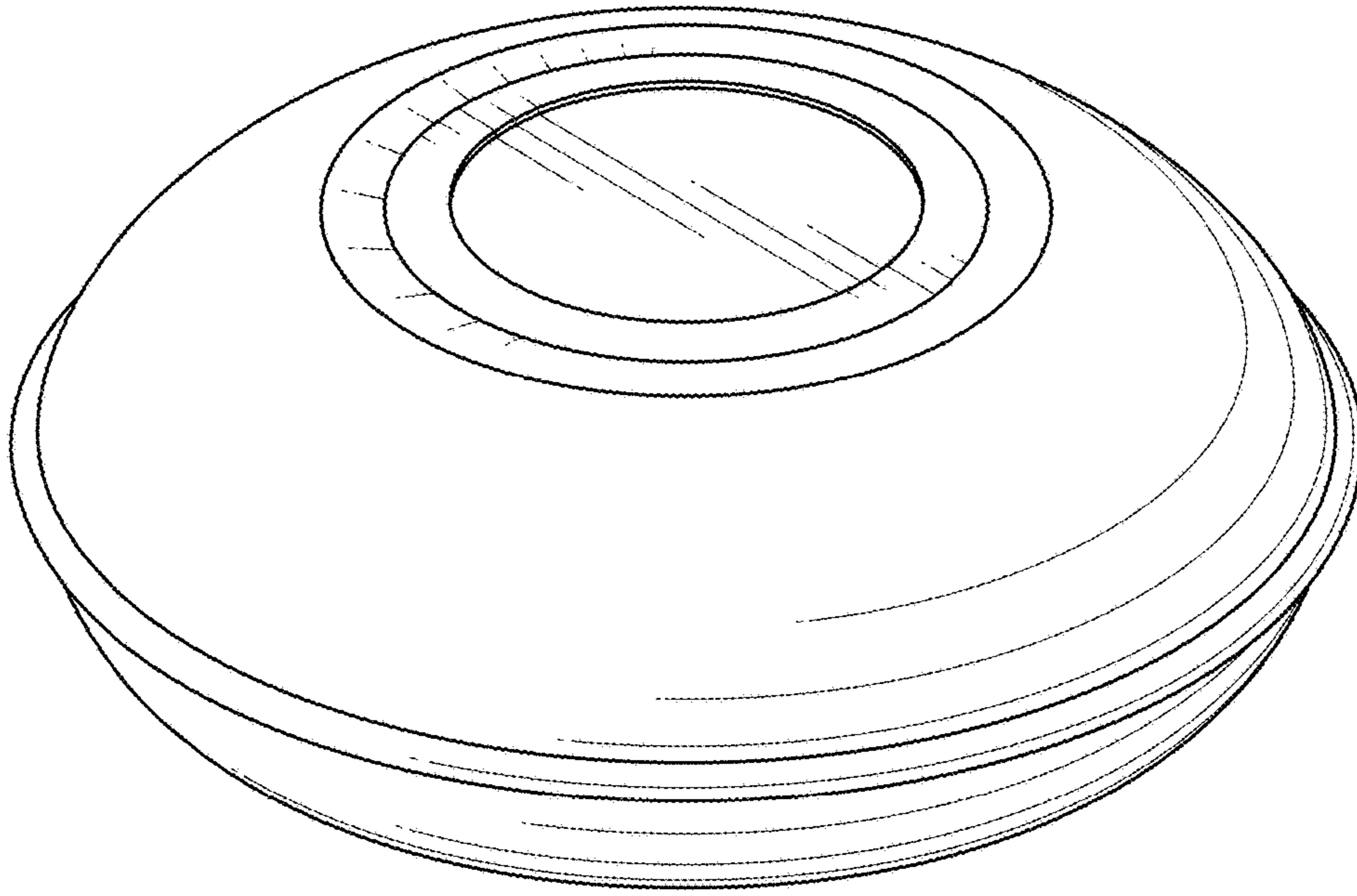


FIG. 1

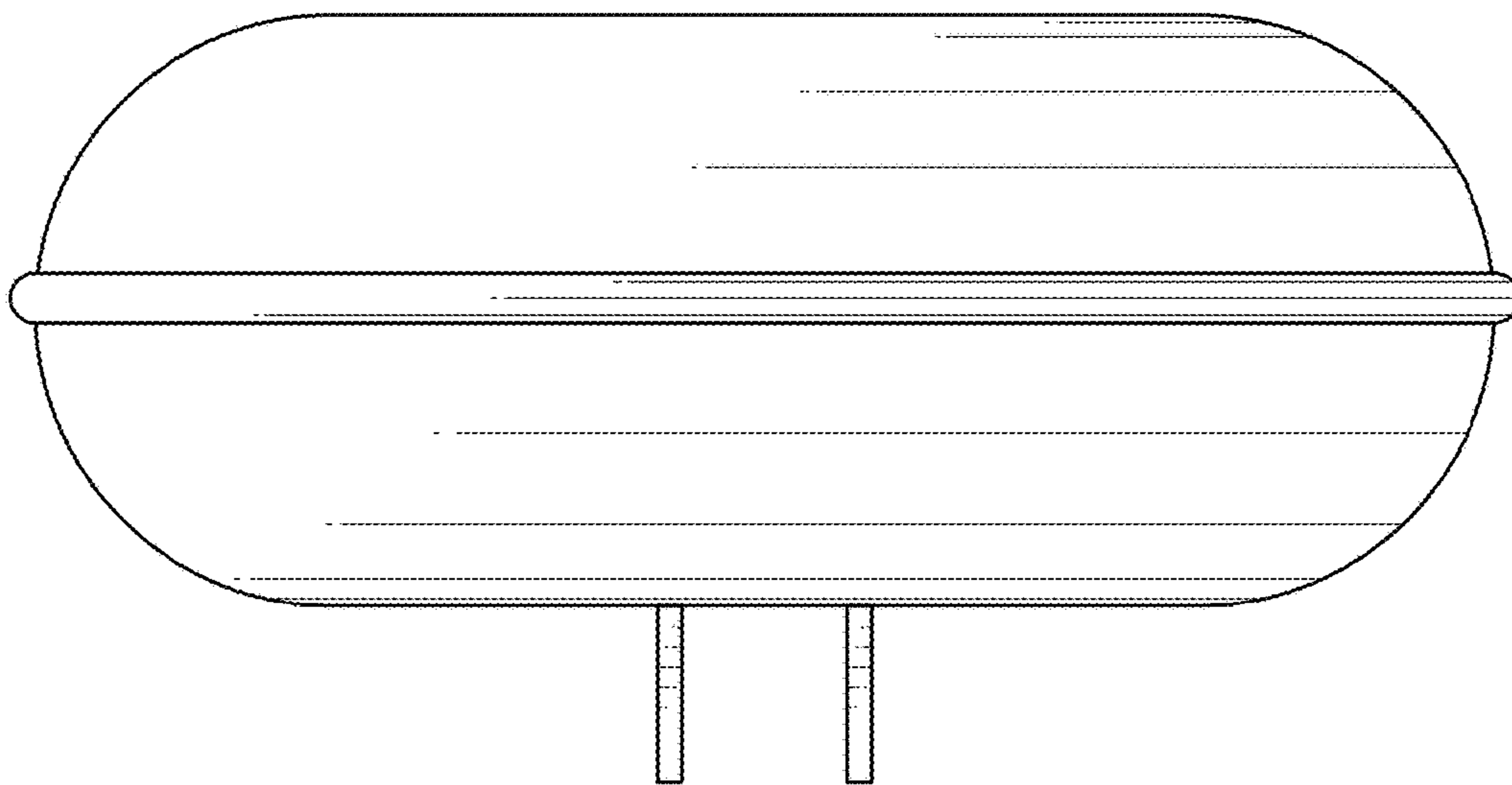


FIG. 2

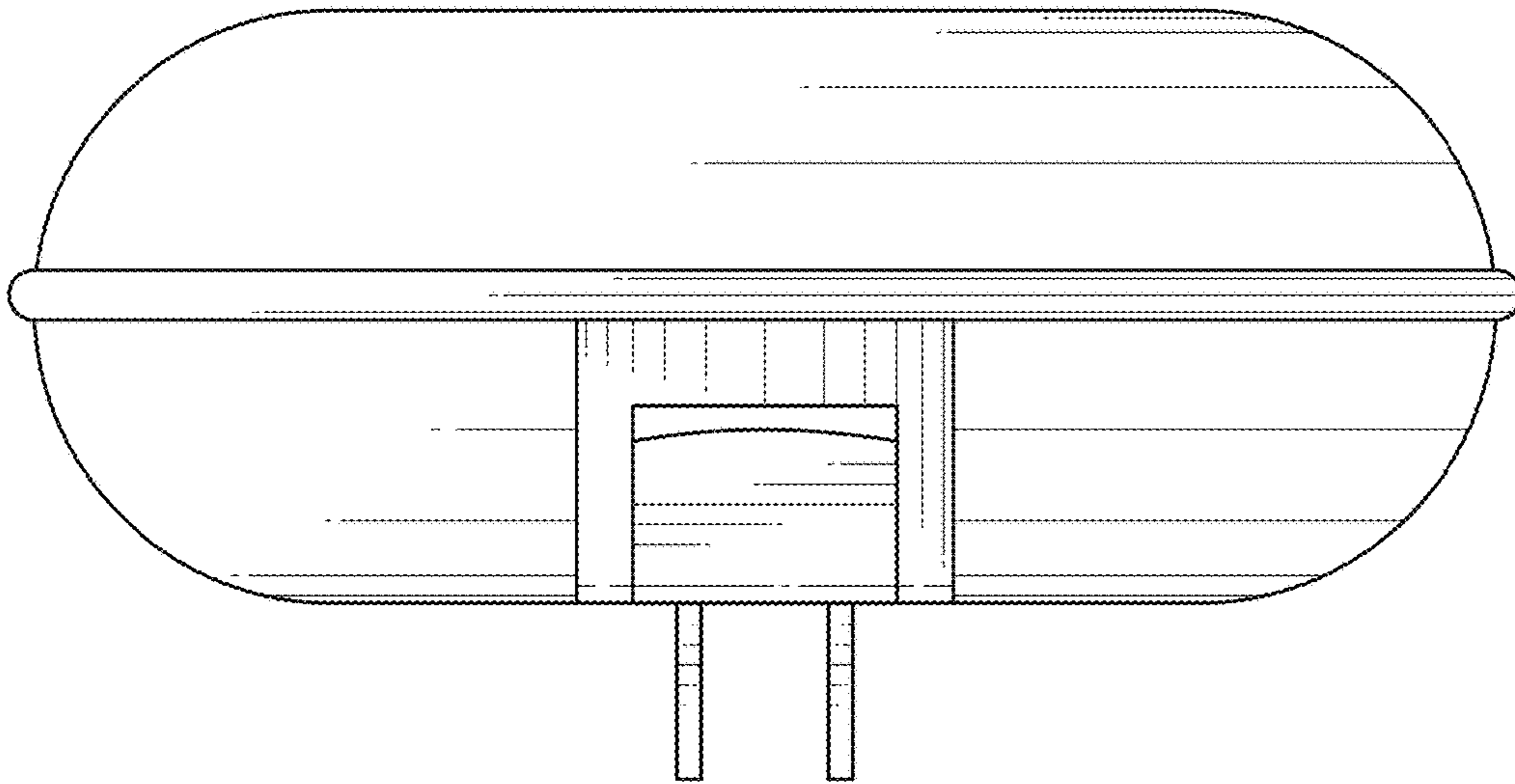


FIG. 3

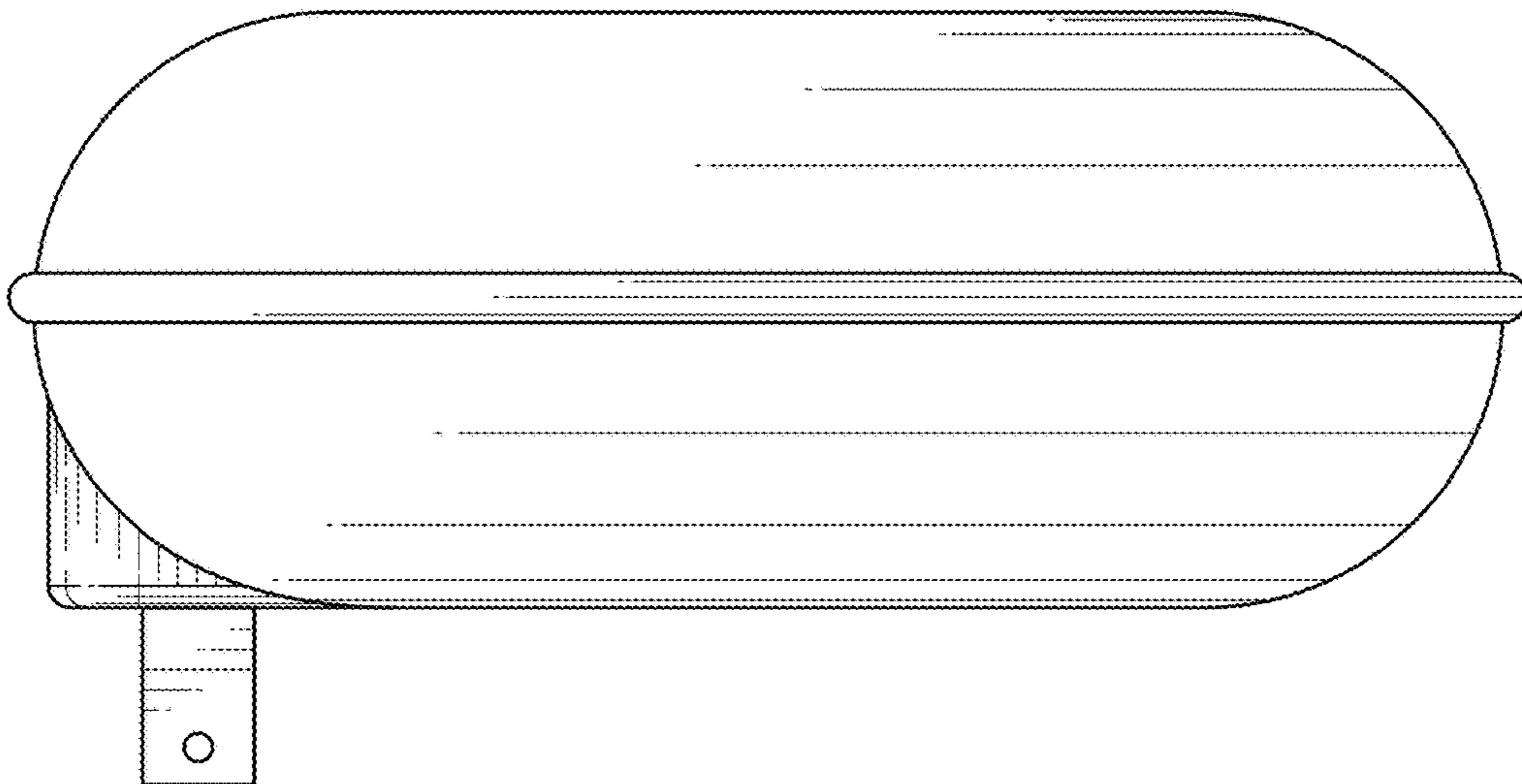


FIG. 4

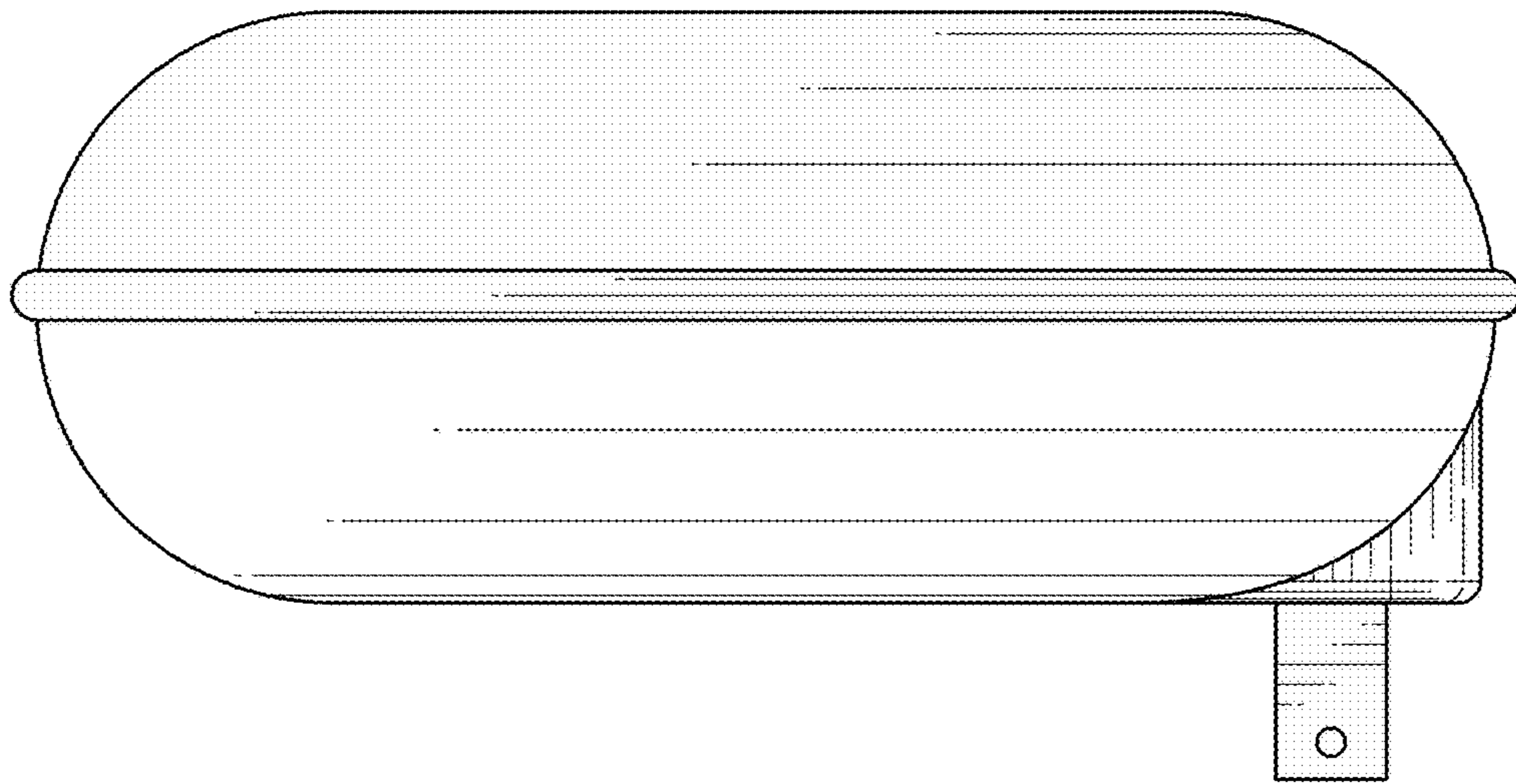


FIG. 5

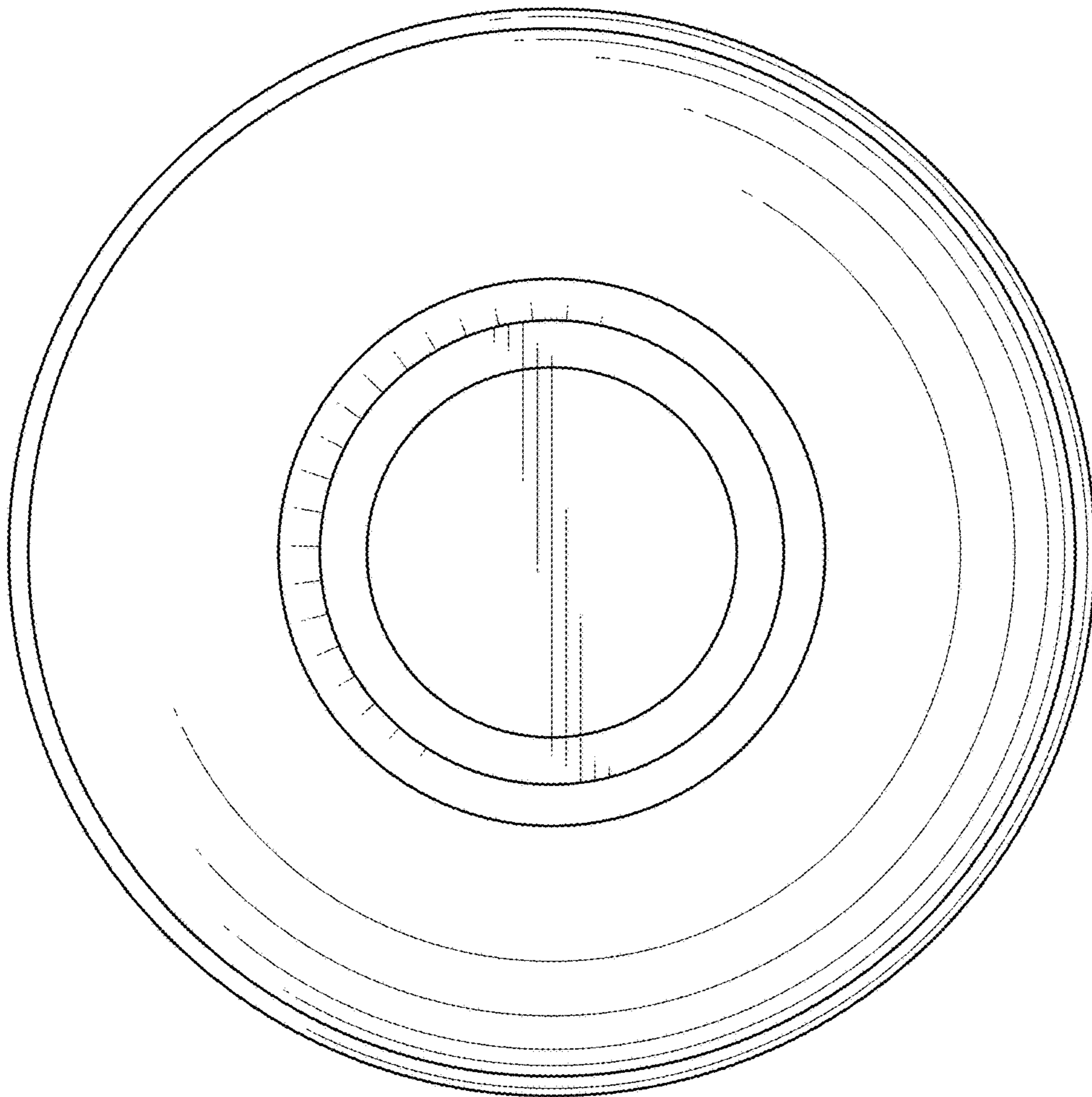


FIG. 6

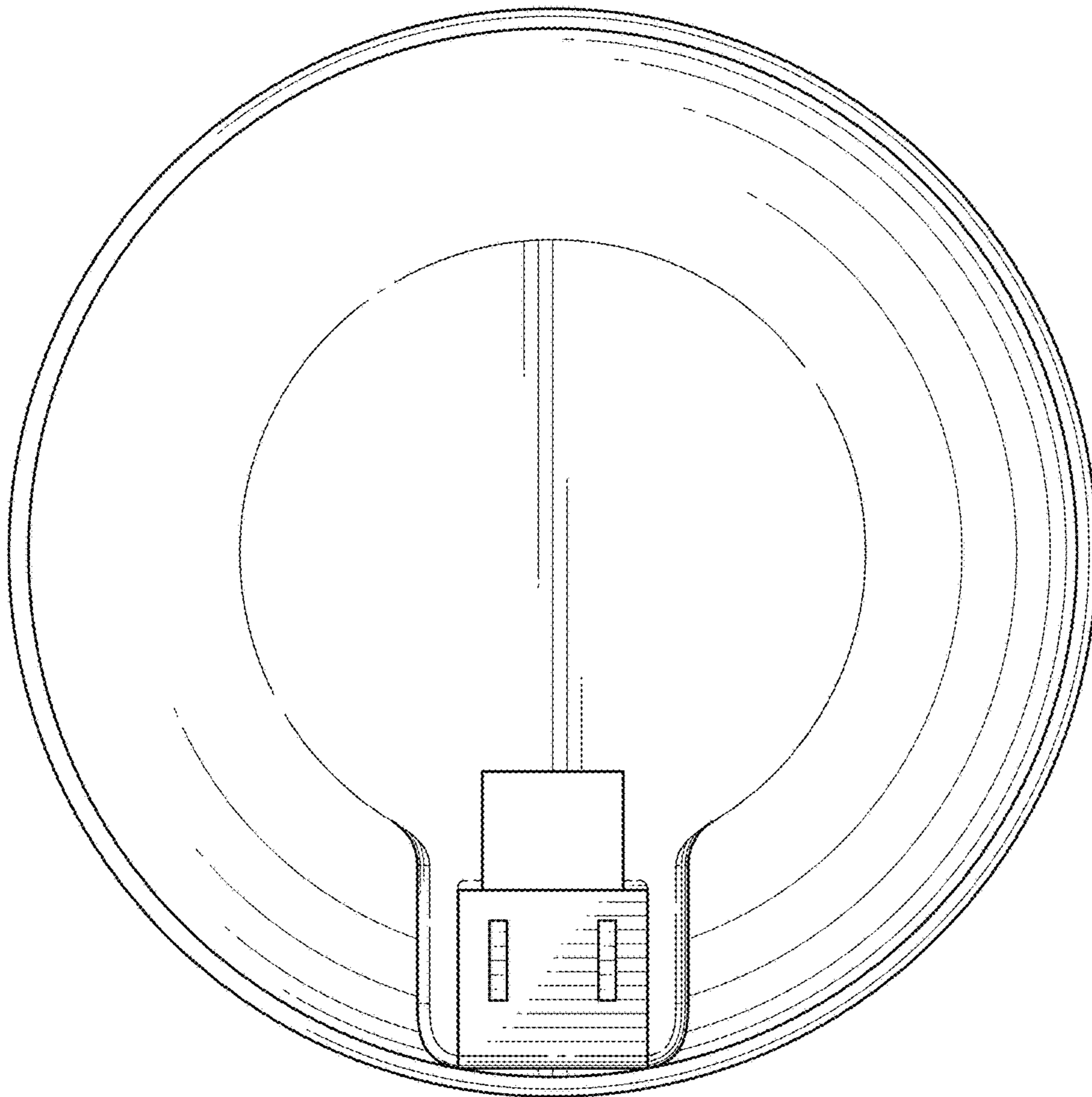


FIG. 7

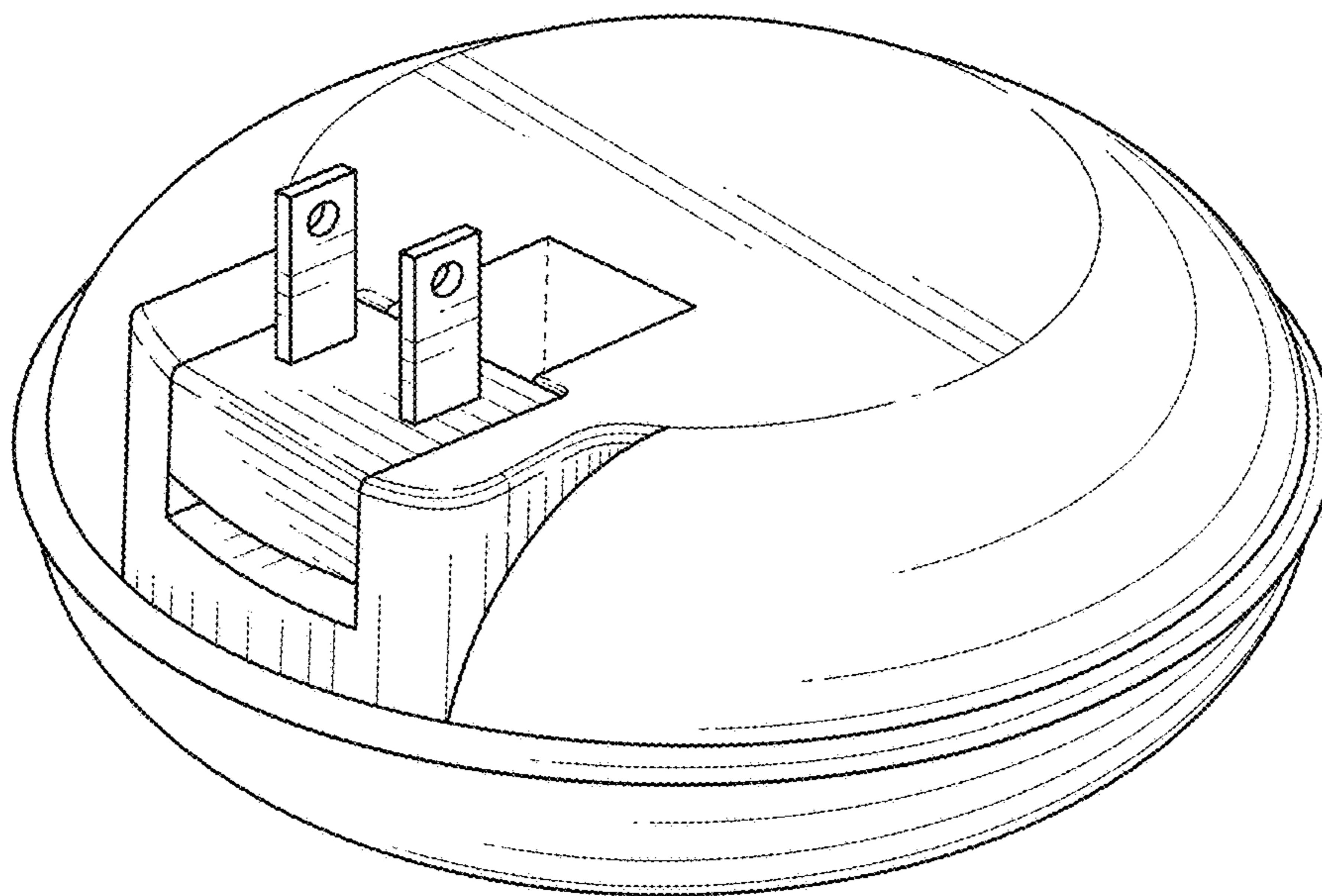


FIG. 8