

US00D809454S

(12) **United States Design Patent** (10) **Patent No.:** **US D809,454 S**  
**Zhou et al.** (45) **Date of Patent:** **\*\* Feb. 6, 2018**

(54) **POWER BANK**

(71) Applicant: **Ningbo Gude Electronic Technology Co., Ltd**, Ningbo, Zhejiang (CN)

(72) Inventors: **Jianrong Zhou**, Zhejiang (CN); **Jun Wang**, Zhejiang (CN); **Shilin Wang**, Zhejiang (CN); **Xiaoliang Chen**, Zhejiang (CN); **Rongjiang Wang**, Zhejiang (CN); **Binbin Jin**, Zhejiang (CN)

(73) Assignee: **Ningbo Gude Electronic Technology Co., Ltd**, Ningbo (CN)

(\*\*) Term: **15 Years**

(21) Appl. No.: **29/586,127**

(22) Filed: **Dec. 1, 2016**

(30) **Foreign Application Priority Data**

Aug. 23, 2016 (CN) ..... 2016 3 0412247

(51) **LOC (11) Cl.** ..... **13-02**

(52) **U.S. Cl.**  
USPC ..... **D13/103**

(58) **Field of Classification Search**

USPC ..... D13/102–110, 118–119, 184, 199;  
D14/356, 432; D15/9  
CPC ..... Y02E 60/10; Y02E 60/122; Y02E 60/124;  
Y02E 60/50; H01M 2/02; H01M 2/022;  
H01M 2/0202; H01M 2/0207; H01M  
2/0212; H01M 2/1061; H01M 2/1022;  
H01M 2/1055; H01M 2/1066; H01M  
2/105; H01M 2/20; H01M 2/202; H01M  
2/204; H01M 2/206; H01M 10/44; H01M  
10/46; H01M 10/465; H01M 10/482;  
H01M 2200/30; H01M 2250/30; H01M  
2250/40; H02J 7/00; H02J 7/0003; H02J  
7/0011; H02J 7/0013; H02J 7/0054; H02J  
7/0055; H02J 7/0057; H02J 2007/0062

See application file for complete search history.

(56) **References Cited**

U.S. PATENT DOCUMENTS

D421,962 S *	3/2000	Varga .....	D13/146
D620,486 S *	7/2010	Branch .....	D14/242
D693,297 S *	11/2013	Inskeep .....	D13/103
D711,318 S *	8/2014	Xinfang .....	D13/103
D712,351 S *	9/2014	Zeng .....	D13/103
D717,488 S *	11/2014	Martin .....	D27/141
D742,310 S *	11/2015	Yen .....	D13/108
D742,822 S *	11/2015	Ju .....	D13/103
D743,332 S *	11/2015	Ju .....	D13/103
D785,563 S *	5/2017	Yang .....	D13/103
D786,787 S *	5/2017	Yang .....	D13/103

(Continued)

*Primary Examiner* — Rosemary K Tarcza

*Assistant Examiner* — Alison Ofstun

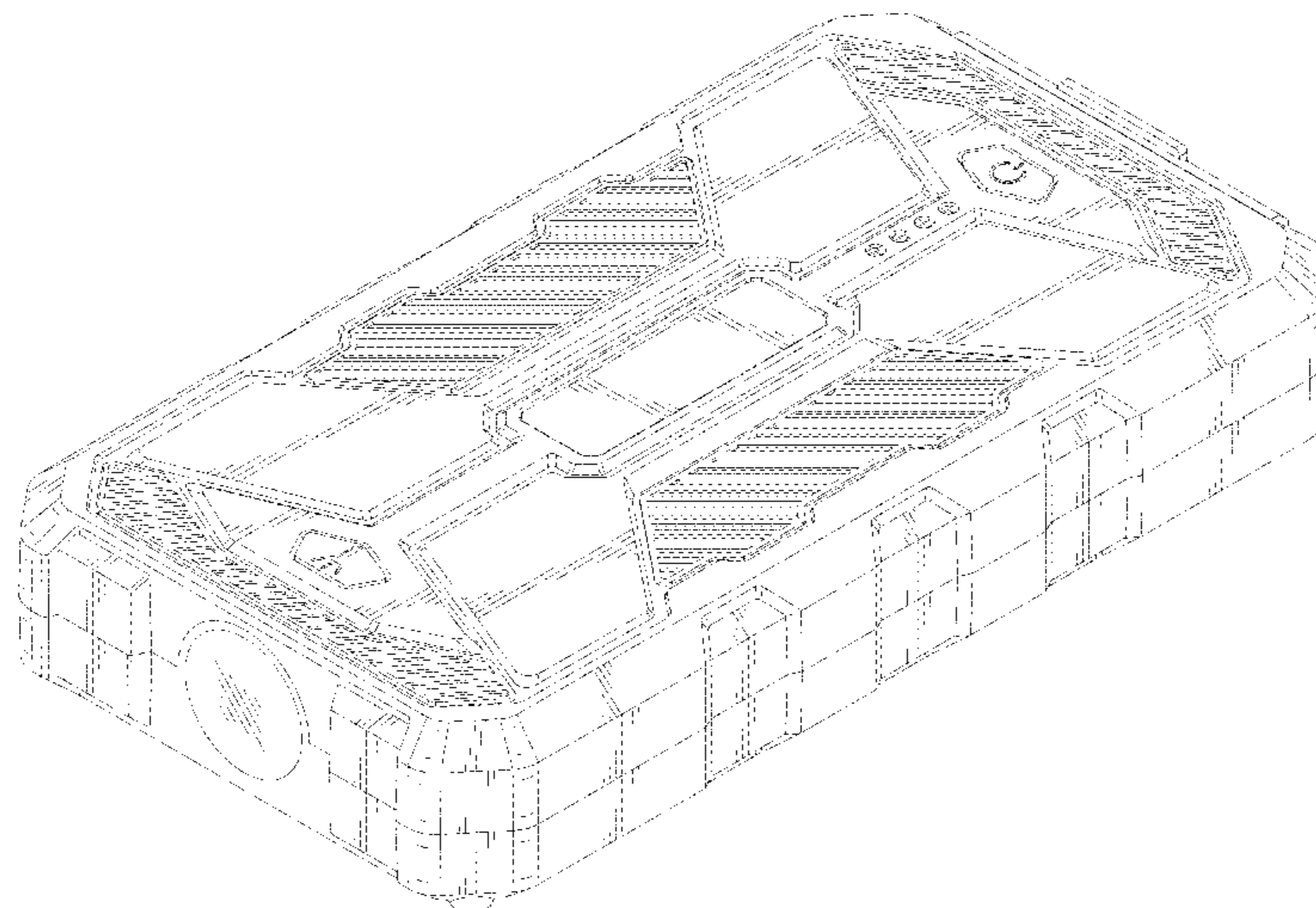
(57) **CLAIM**

The ornamental design for a power bank, as shown and described.

**DESCRIPTION**

FIG. 1 is a front elevational view of a power bank showing our new design;  
FIG. 2 is a rear elevational view thereof;  
FIG. 3 is a left side view thereof;  
FIG. 4 is a right side view thereof;  
FIG. 5 is a top plan view thereof;  
FIG. 6 is a bottom plan view thereof;  
FIG. 7 is a first perspective view thereof;  
FIG. 8 is a second perspective view thereof;  
FIG. 9 is a third perspective view thereof; and,  
FIG. 10 is a fourth perspective view thereof.  
The broken lines present in the figures are included for the purpose of illustrating portions of the article which form no part of the claimed design.

**1 Claim, 10 Drawing Sheets**



(56)

**References Cited**

U.S. PATENT DOCUMENTS

D793,955 S \* 8/2017 Yang ..... D13/107  
2015/0054336 A1 \* 2/2015 Xinfang ..... B60R 16/033  
307/9.1

\* cited by examiner

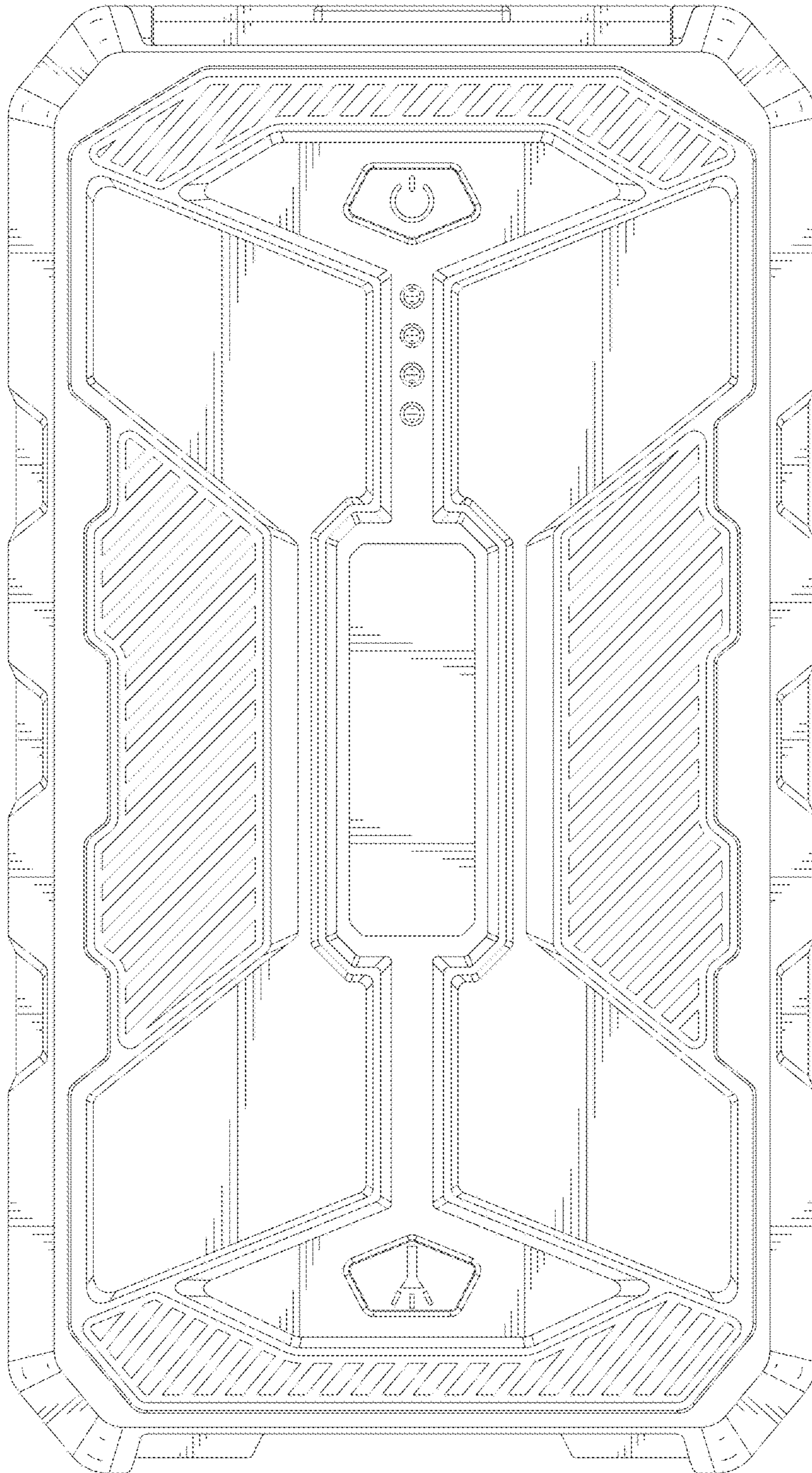


FIG. 1

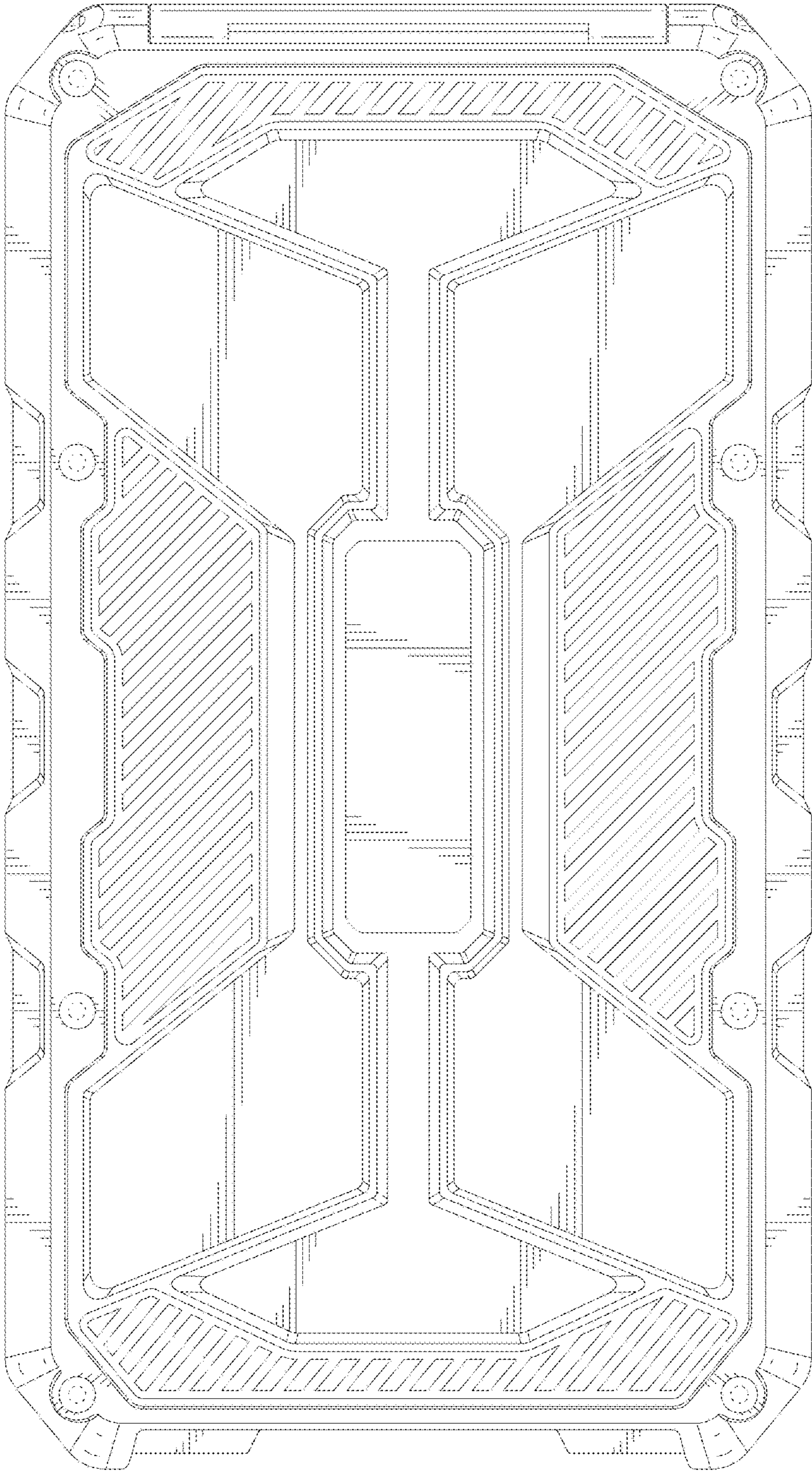


FIG.2

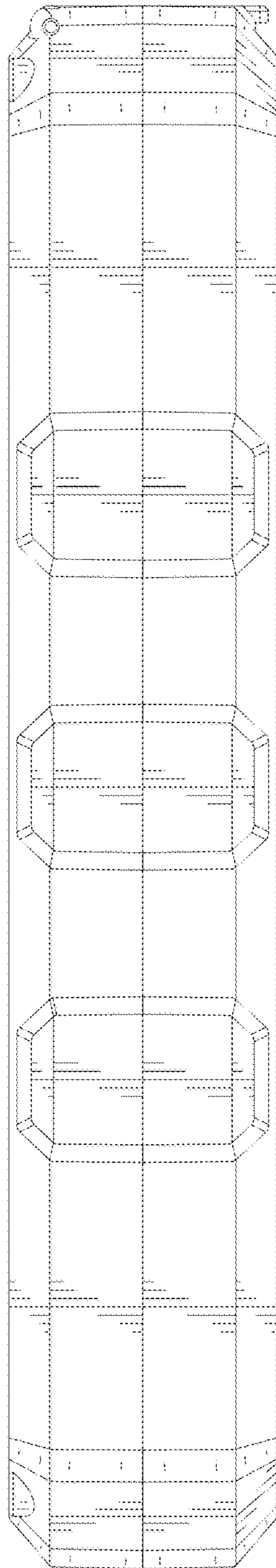


FIG.3

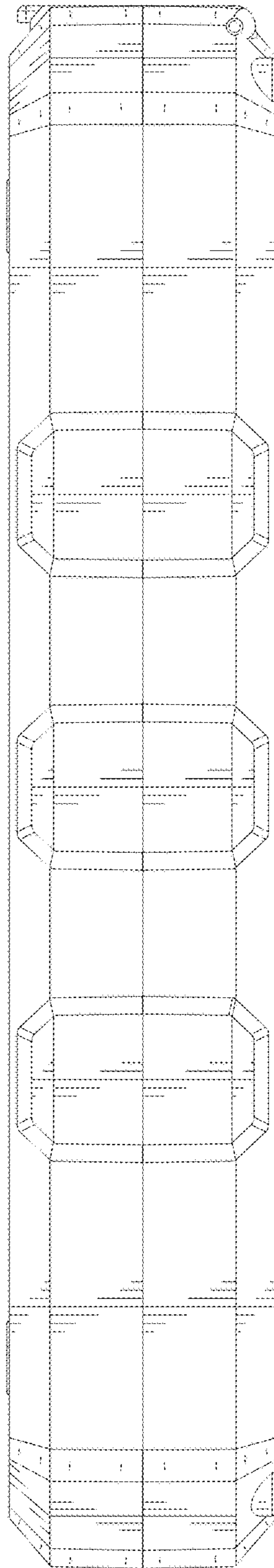


FIG.4

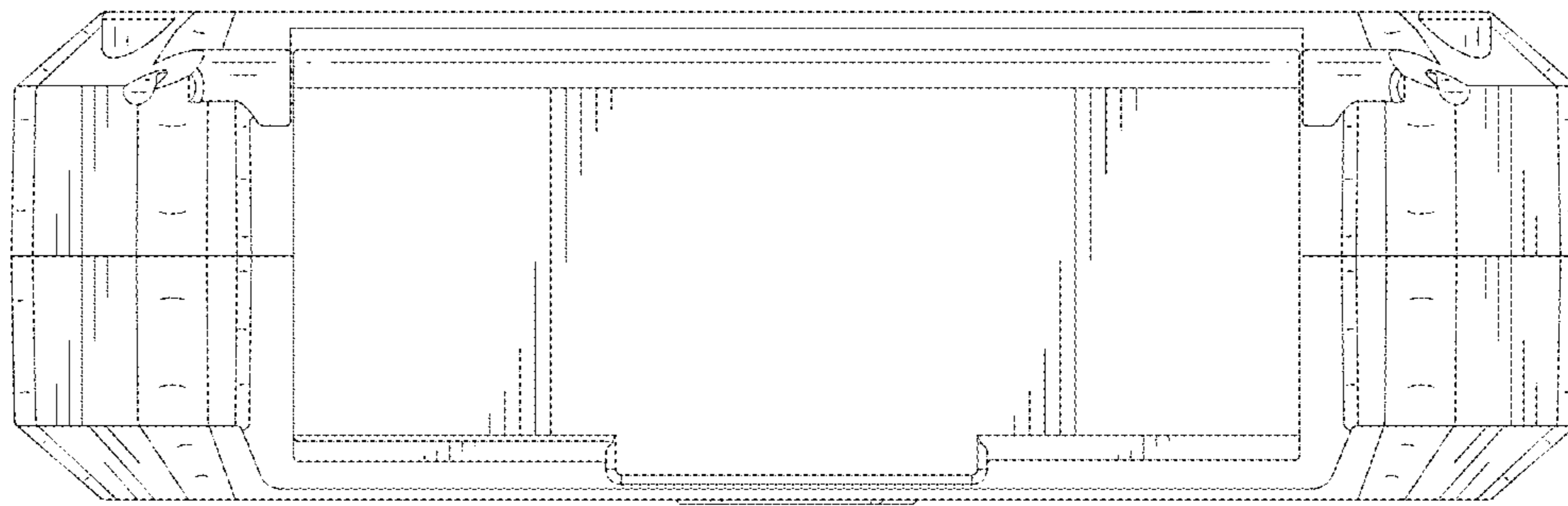


FIG.5

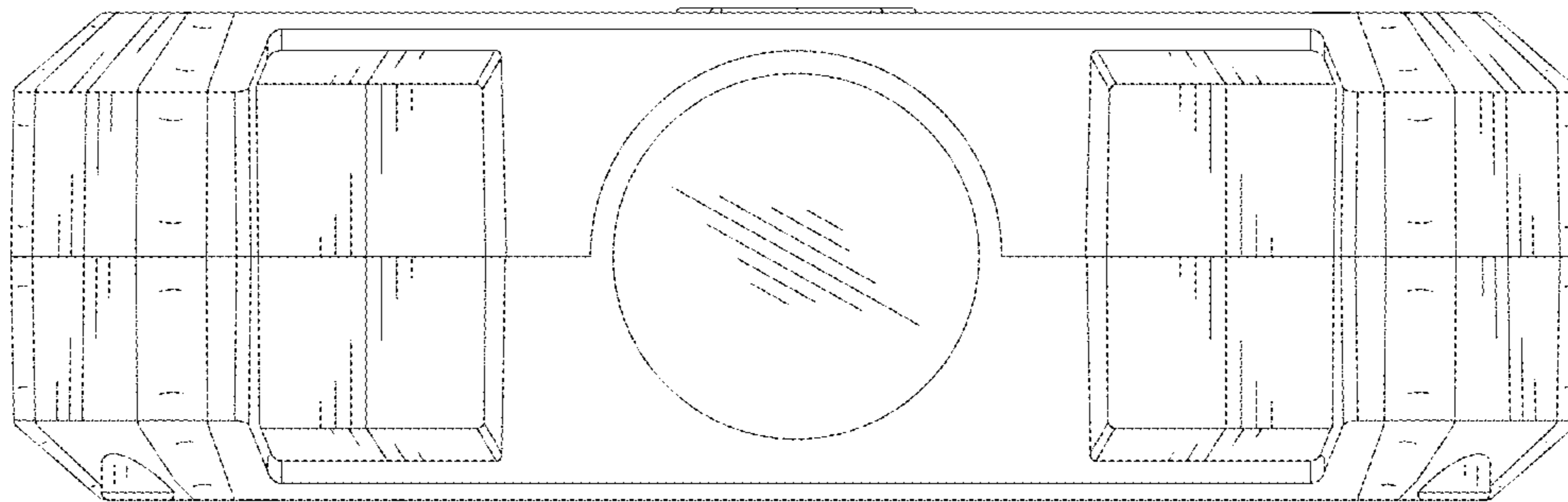


FIG.6



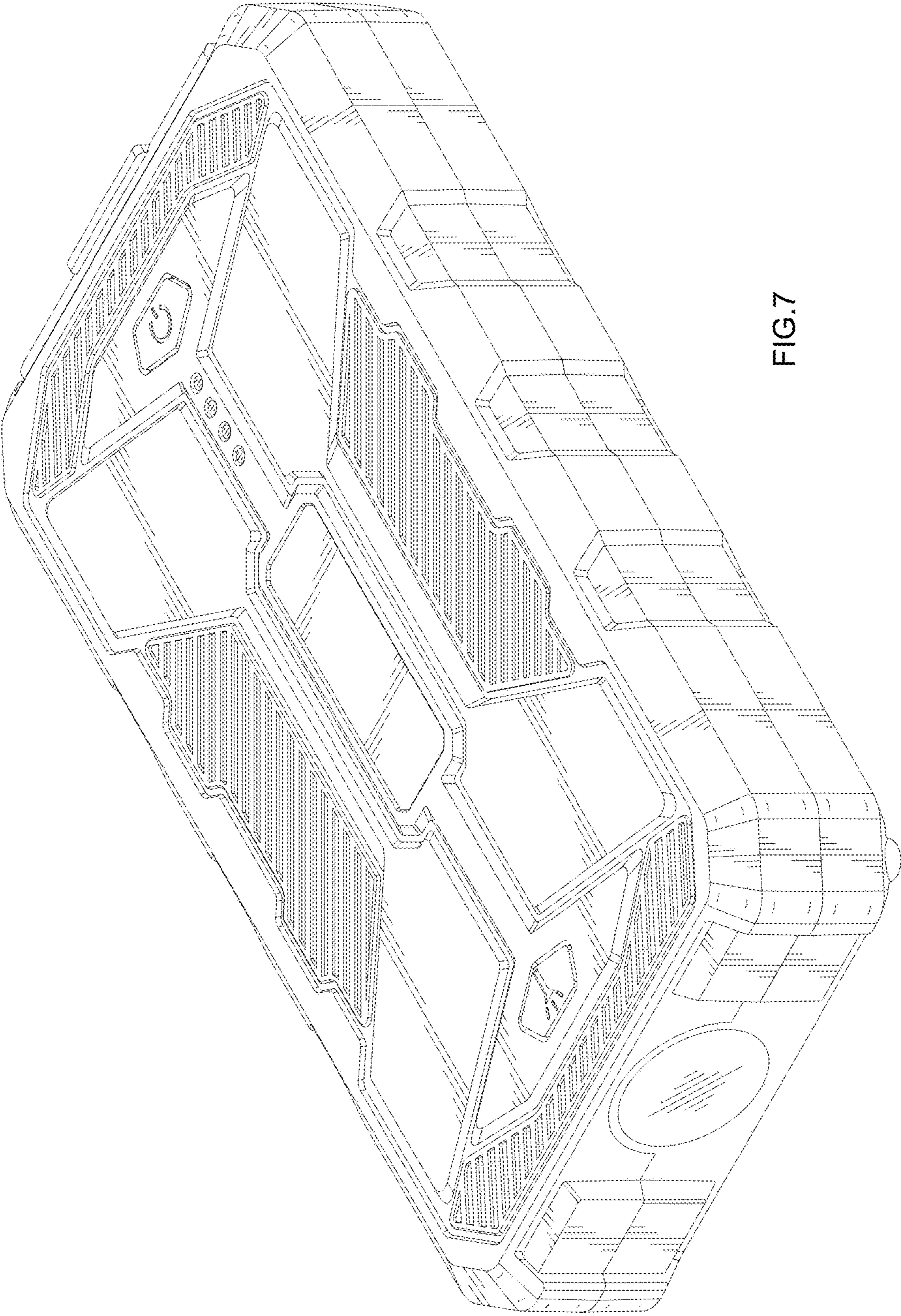


FIG.7

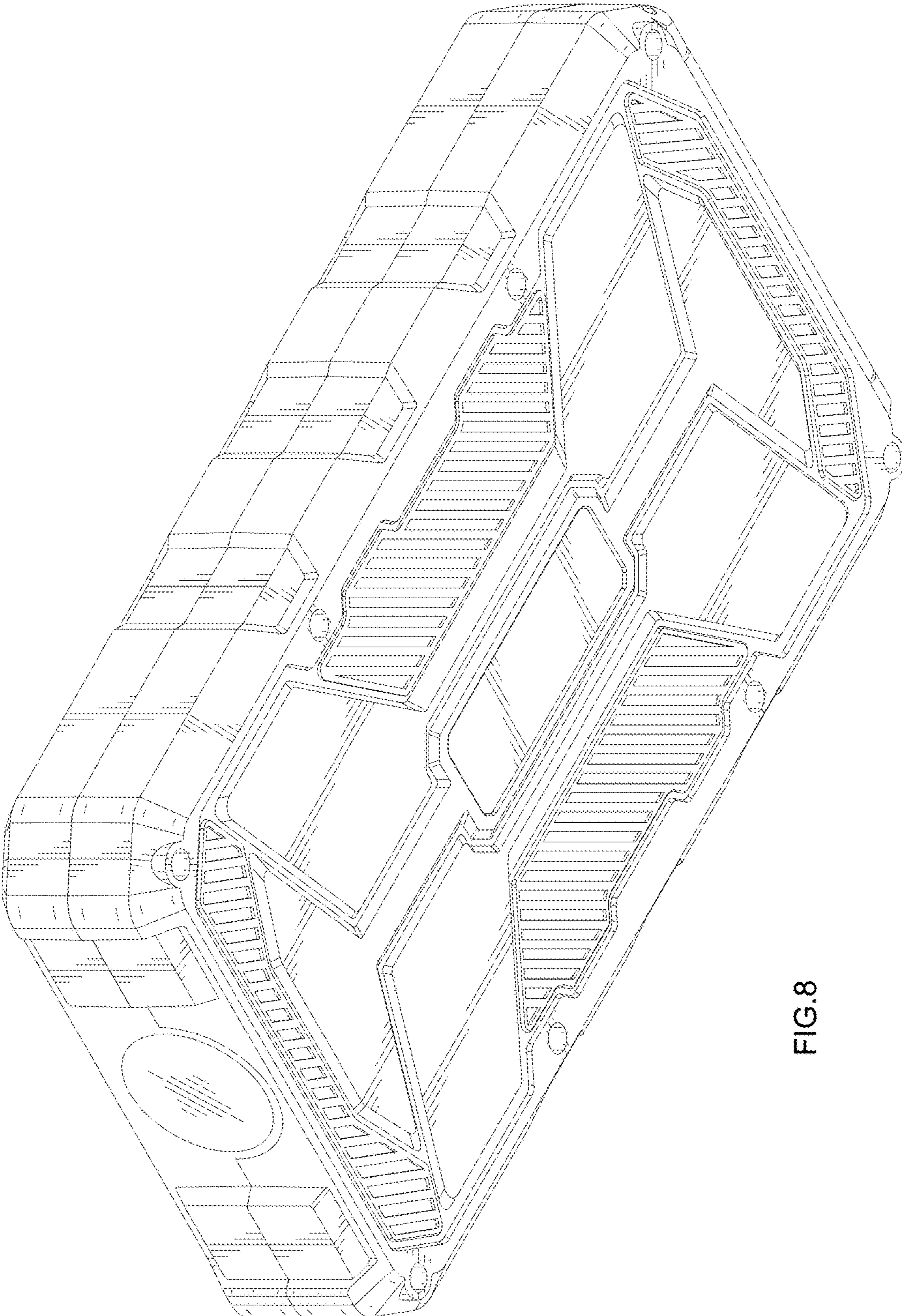


FIG.8

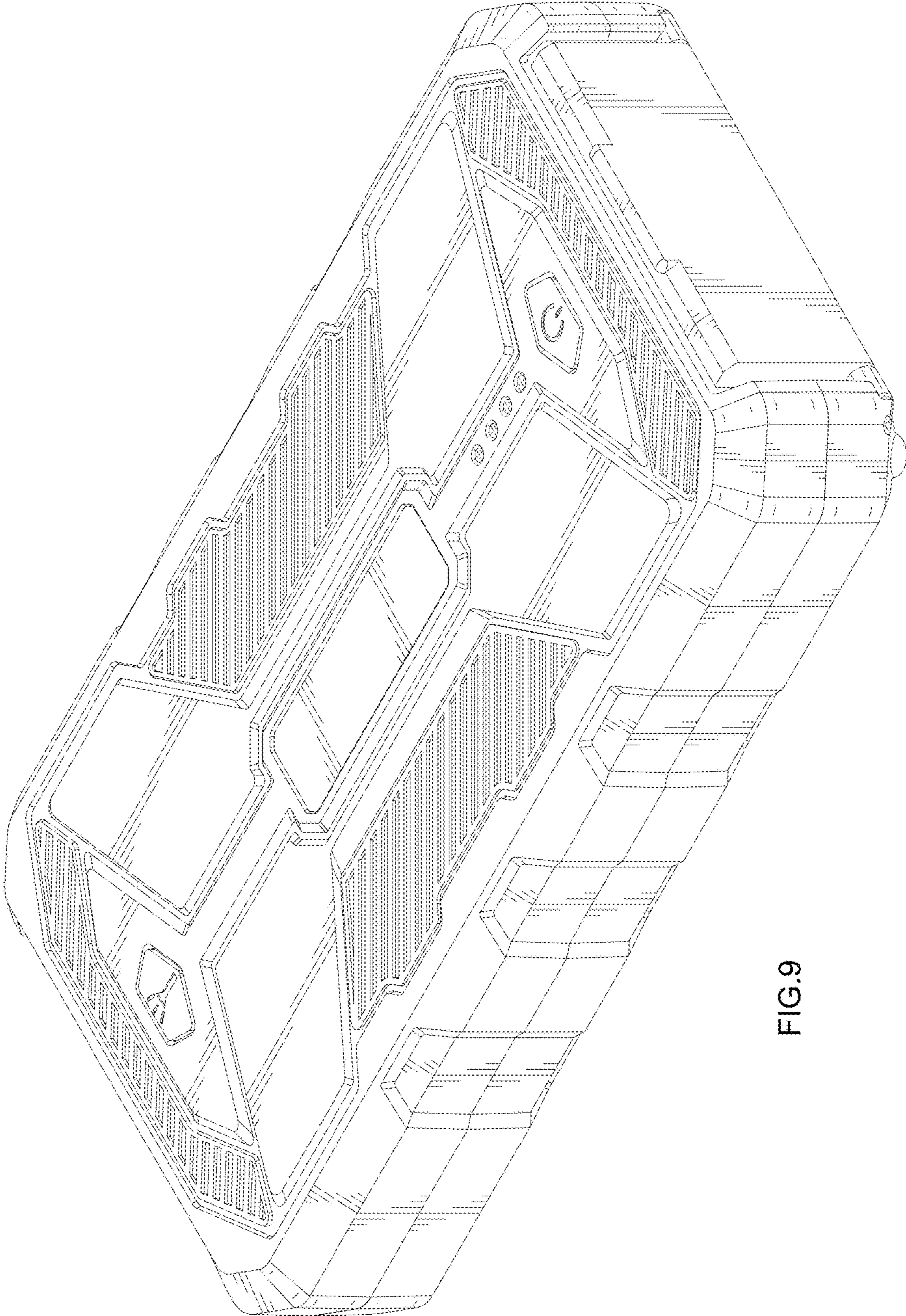


FIG.9

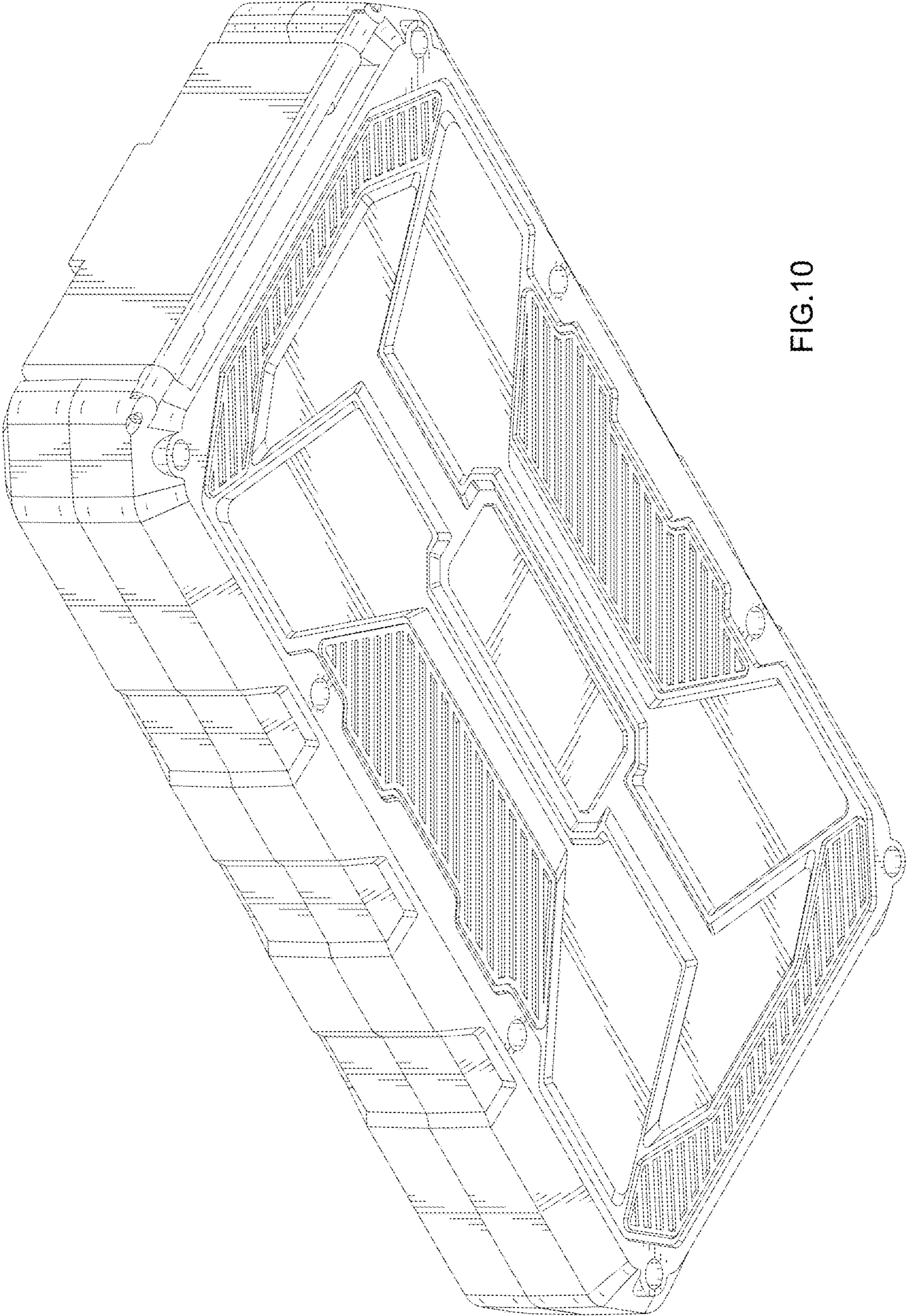


FIG.10