



US00D809450S

(12) **United States Design Patent**
Fife

(10) **Patent No.:** **US D809,450 S**

(45) **Date of Patent:** **** Feb. 6, 2018**

- (54) **MODULAR RACKING SYSTEM**
- (71) Applicant: **Gunner Fab, LLC**, Kerrville, TX (US)
- (72) Inventor: **Rob Fife**, Mountain Home, TX (US)
- (73) Assignee: **Gunner Fab, LLC**, Kerrville, TX (US)
- (**) Term: **15 Years**
- (21) Appl. No.: **29/552,315**
- (22) Filed: **Jan. 21, 2016**
- (51) **LOC (11) Cl.** **12-16**
- (52) **U.S. Cl.**
USPC **D12/416**
- (58) **Field of Classification Search**
USPC D12/416, 415, 417, 418, 419, 423;
D6/513, 514, 611, 553, 556, 559;
D7/601-602, 605-607; D3/216, 217, 319
CPC B65D 33/00; B64D 11/0636; B60N 3/004
See application file for complete search history.

- D632,510 S * 2/2011 Johnson D12/416
- D650,733 S * 12/2011 Cooney D12/416
- D658,568 S * 5/2012 Currier D12/416
- D713,849 S * 9/2014 Kirwer D12/416
- D765,581 S * 9/2016 Pumphrey D12/416
- D777,081 S * 1/2017 Keathley D12/416

* cited by examiner

Primary Examiner — Katrina A Betton
(74) *Attorney, Agent, or Firm* — Gunn, Lee & Cave, PC

(57) **CLAIM**

An ornamental design for a modular racking system, as shown and described.

DESCRIPTION

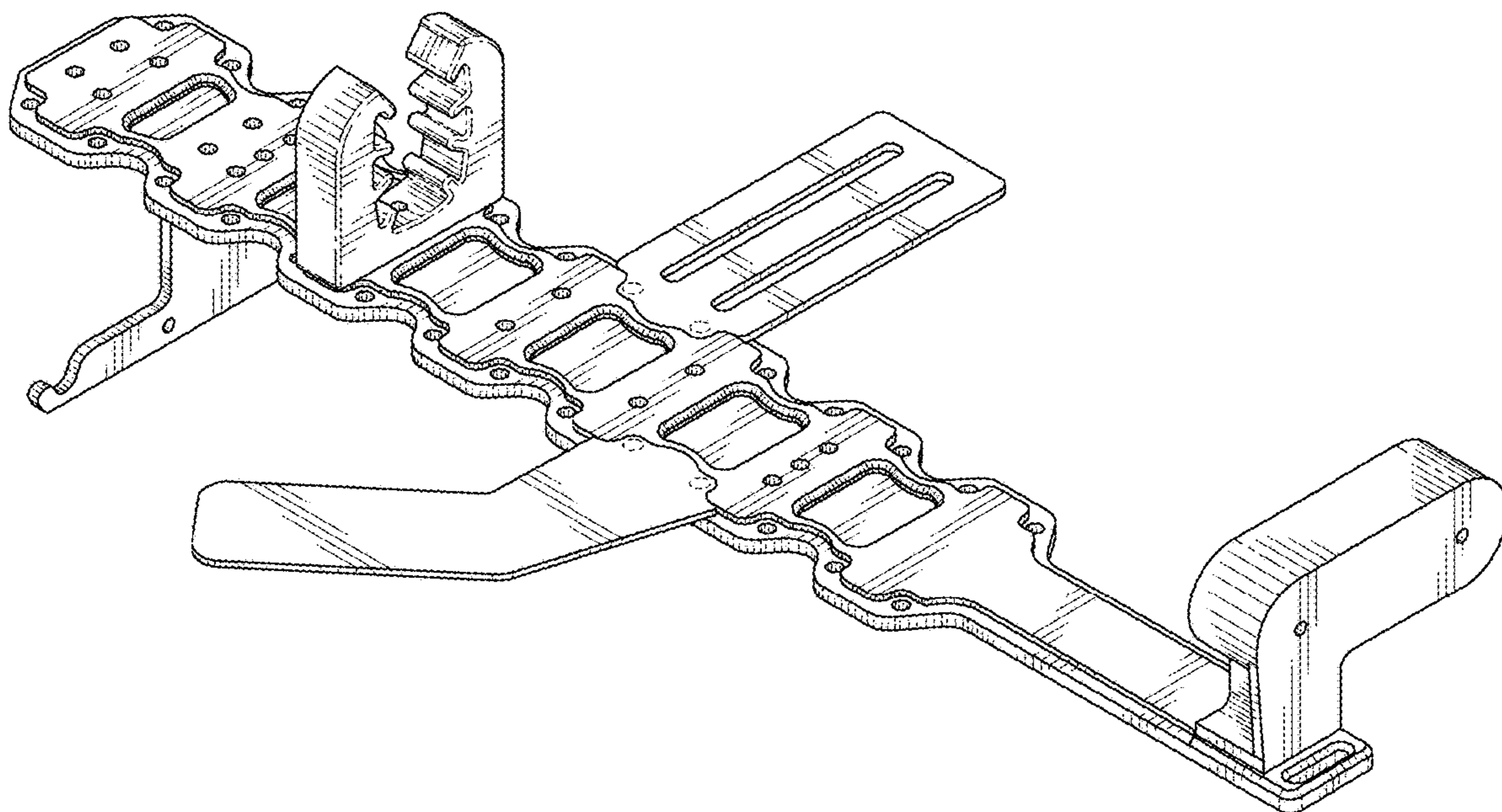
FIG. 1 is a front-bottom isometric view of a first embodiment of my modular racking system.
 FIG. 2 is a front view of the embodiment.
 FIG. 3 is a rear view of the embodiment.
 FIG. 4 is a left side view of the embodiment.
 FIG. 5 is a right side view of the embodiment.
 FIG. 6 is a top view of the embodiment.
 FIG. 7 is a bottom view of the embodiment; and,
 FIG. 8 shows the embodiment installed attached to a seat of a vehicle.
 In the drawings, the broken lines in FIG. 8 depict firearms and a seat that form no part of the claimed design.
 Broken lines are not intended to represent claimed subject matter.

(56) **References Cited**

U.S. PATENT DOCUMENTS

- D473,510 S * 4/2003 Denmeade D12/416
- D473,840 S * 4/2003 Sauer D12/416
- D479,186 S * 9/2003 Hassett D12/416
- D530,983 S * 10/2006 Krieger D12/416

1 Claim, 6 Drawing Sheets



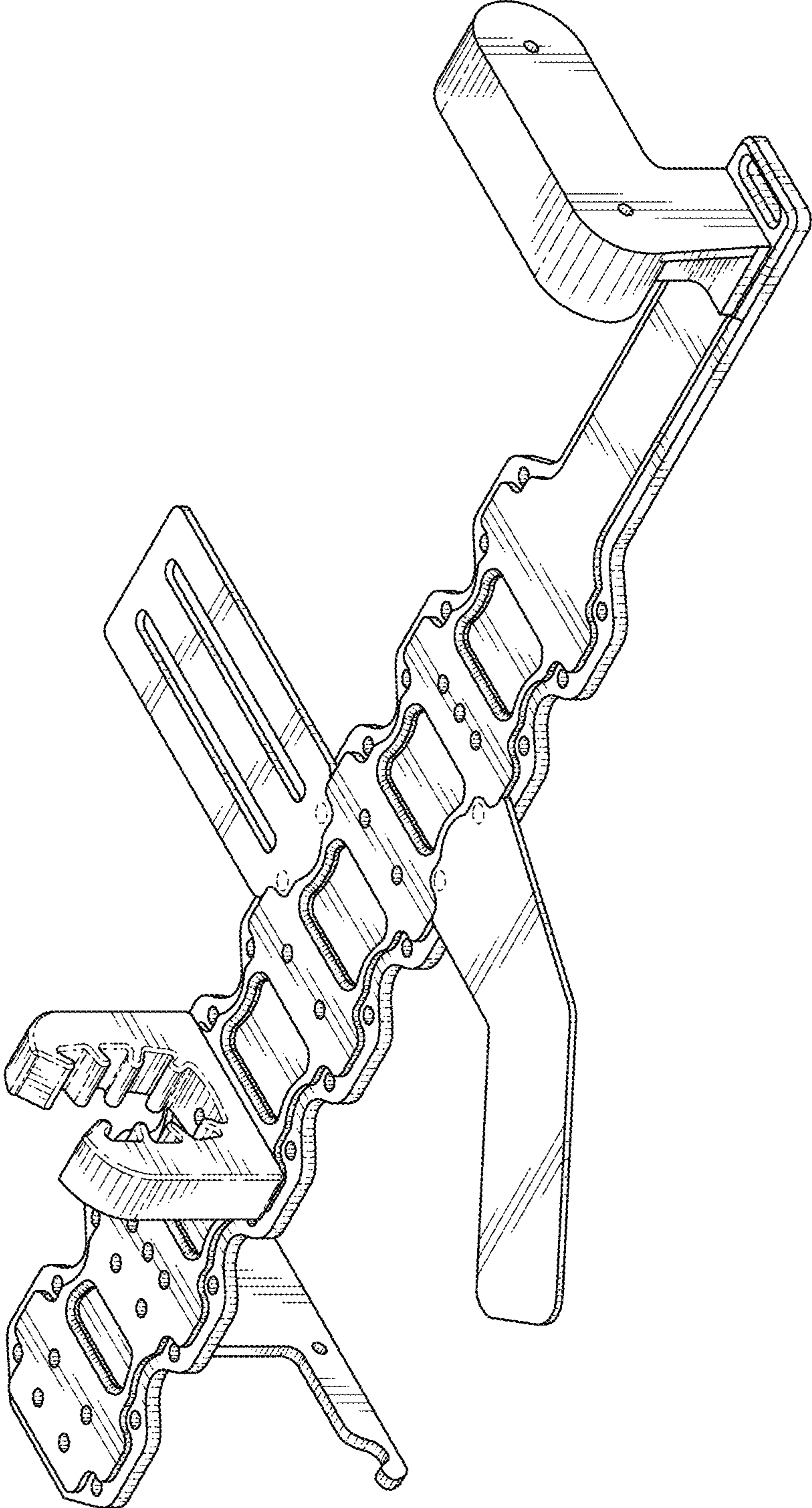


FIG. 1

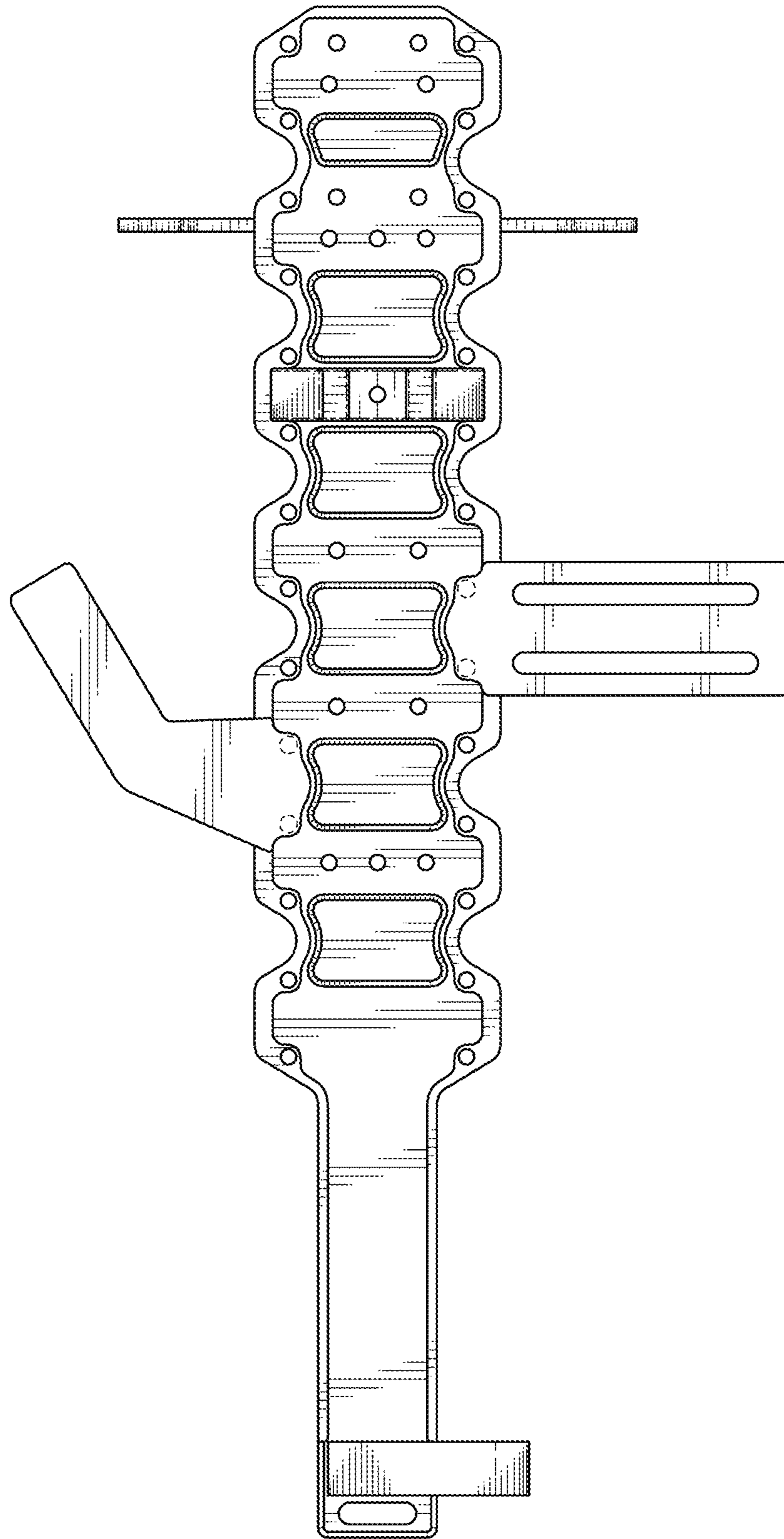


FIG. 2

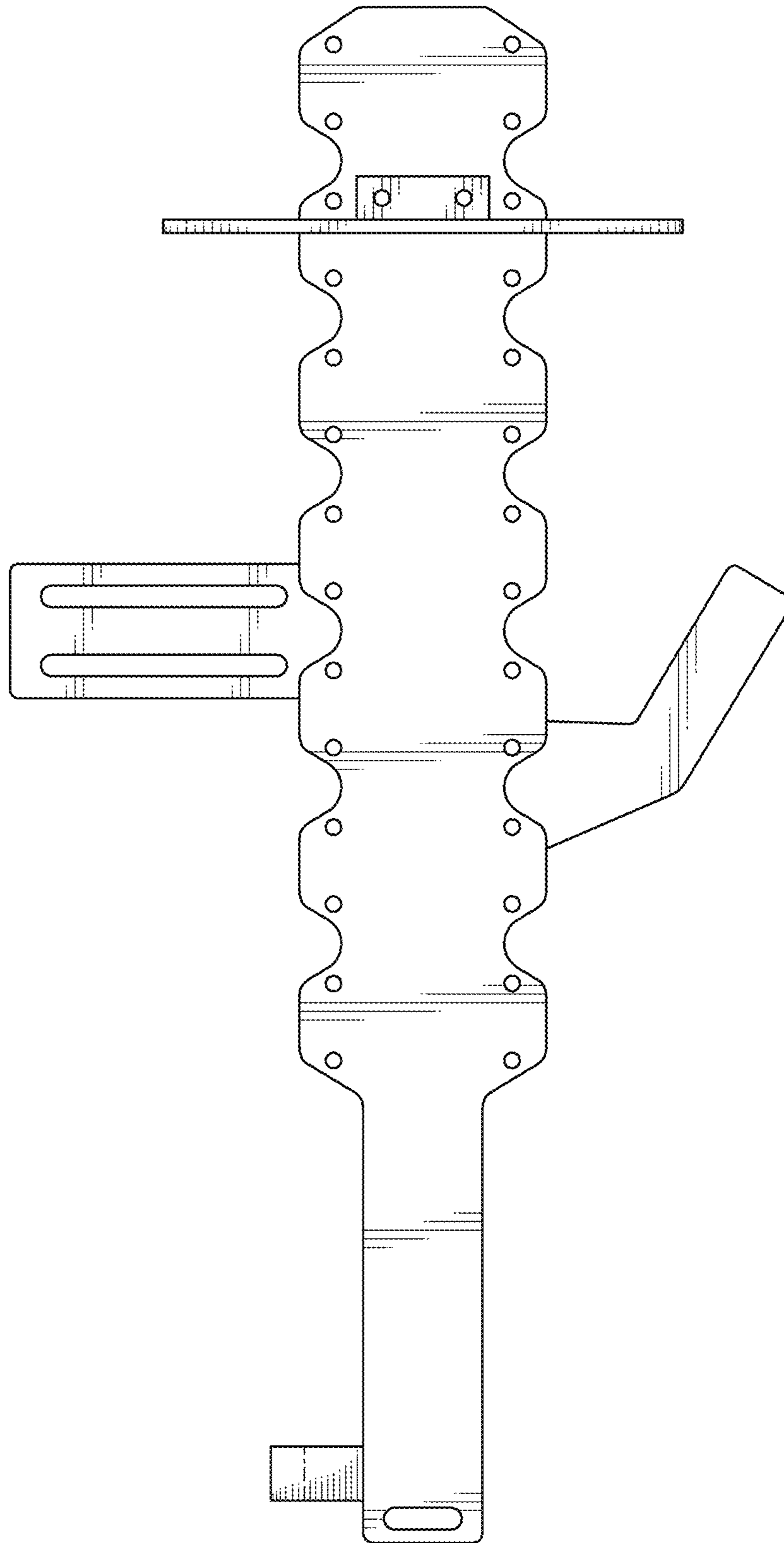


FIG. 3

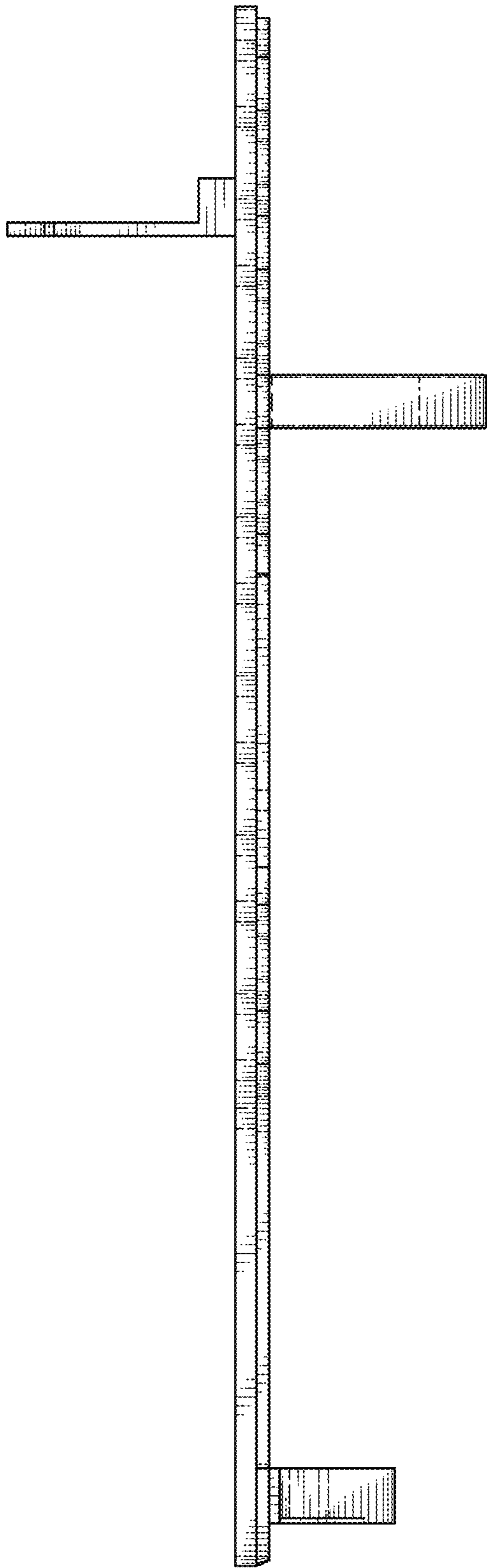


FIG. 4

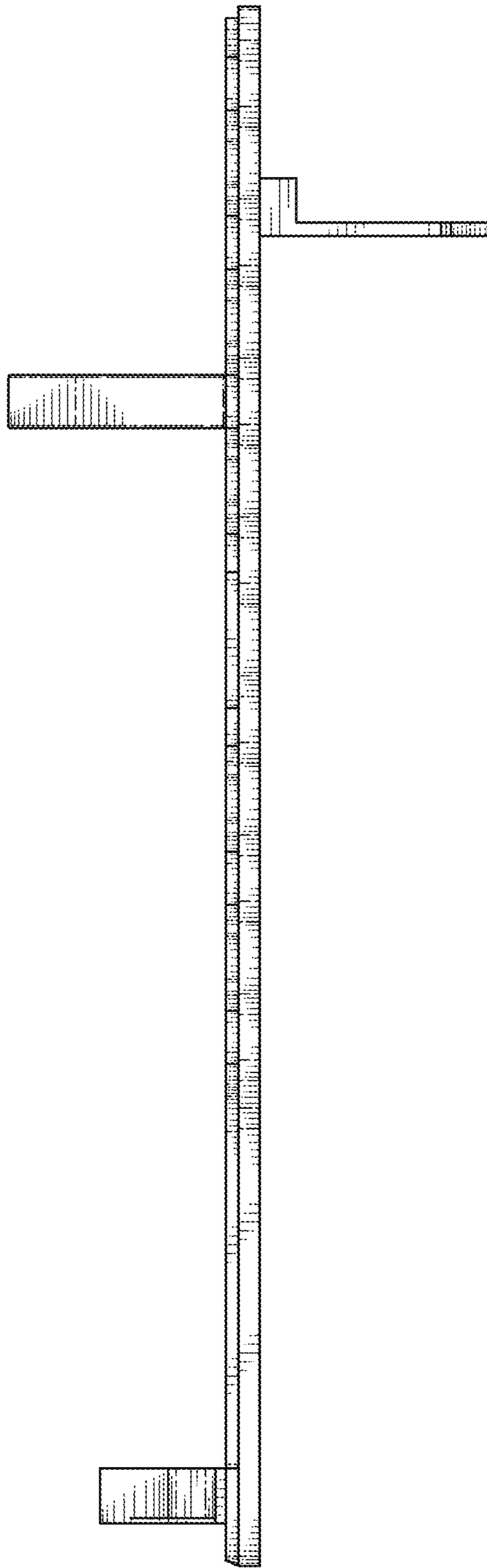


FIG. 5

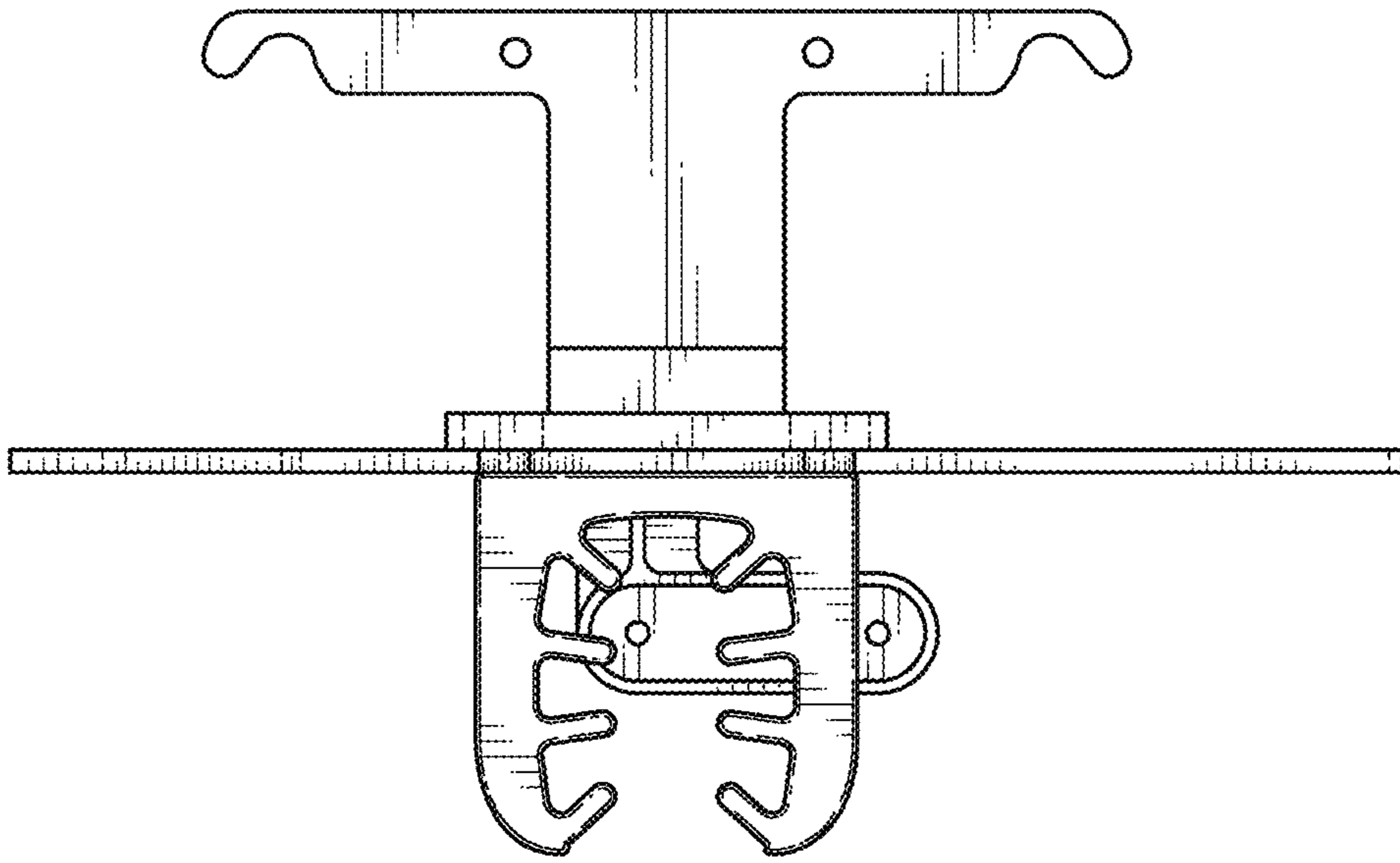


FIG. 6

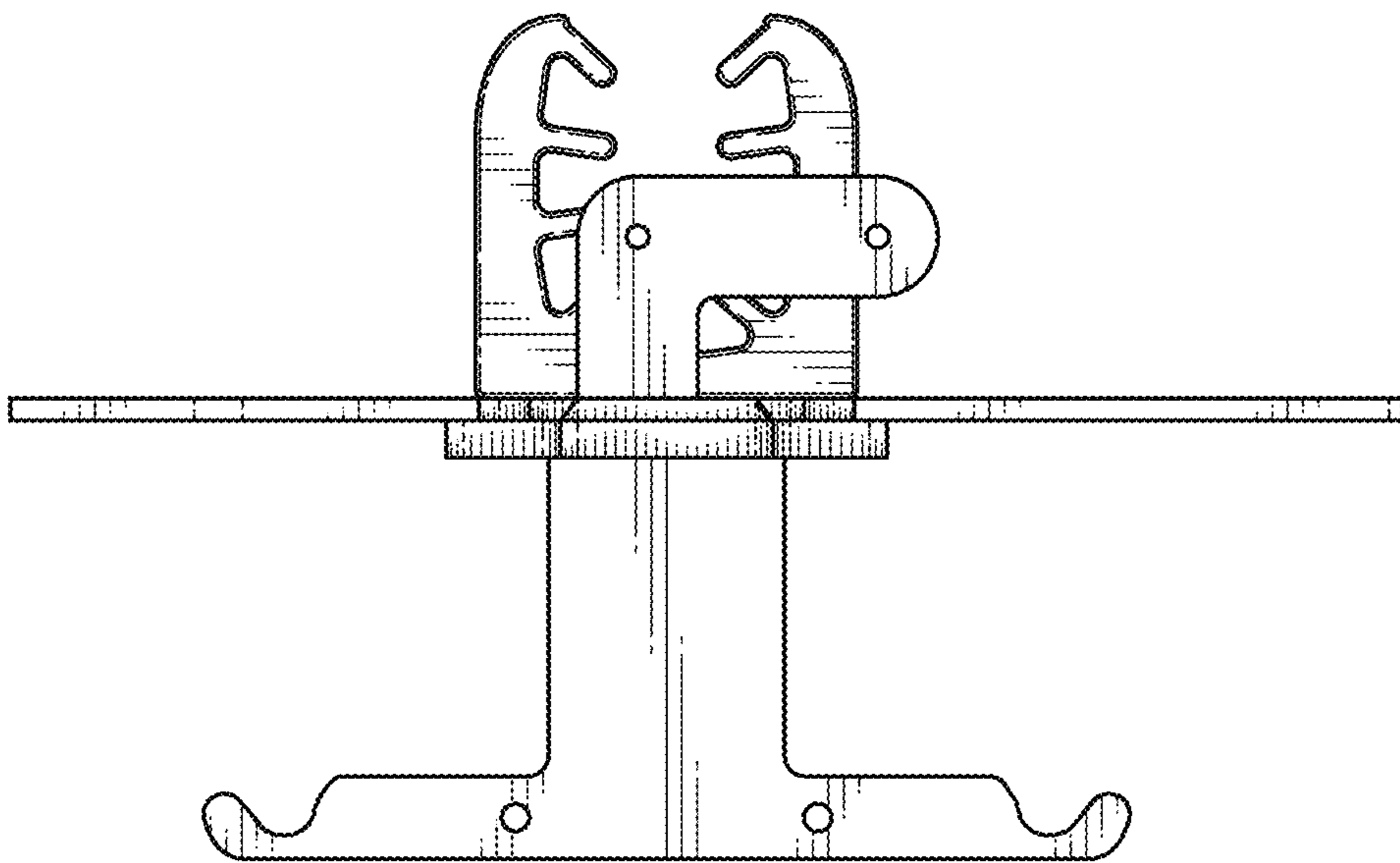


FIG. 7

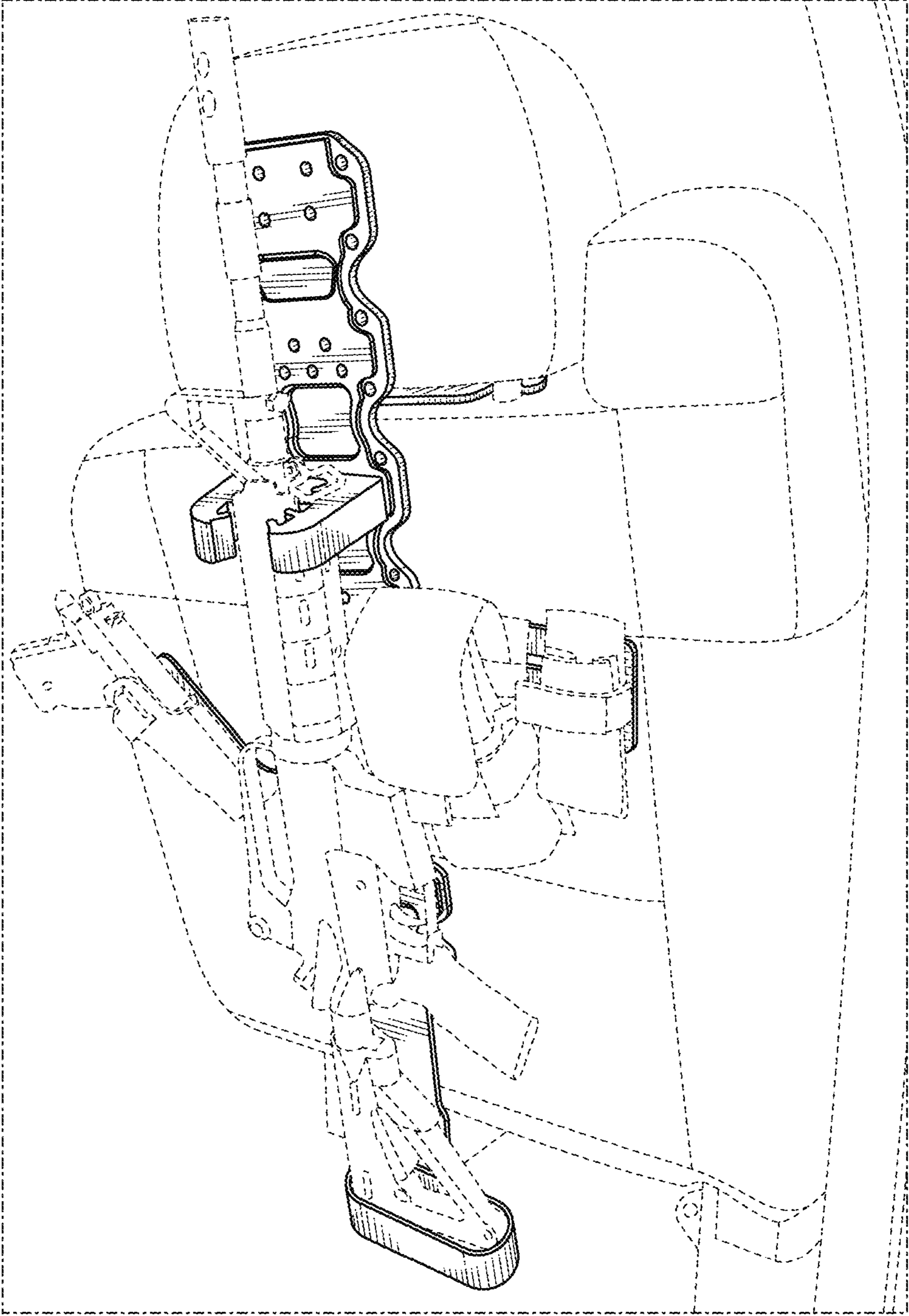


FIG. 8