



US00D809449S

(12) **United States Design Patent**
Zhang

(10) **Patent No.:** **US D809,449 S**

(45) **Date of Patent:** **** Feb. 6, 2018**

(54) **RING AND MAGNET FOR SMART PHONE ATTACHMENT**

(71) Applicant: **Huaimian Zhang**, Fuzhou (CN)

(72) Inventor: **Huaimian Zhang**, Fuzhou (CN)

(**) Term: **15 Years**

(21) Appl. No.: **29/550,342**

(22) Filed: **Jan. 1, 2016**

(51) **LOC (11) Cl.** **12-16**

(52) **U.S. Cl.**

USPC **D12/415**; D3/218; D14/253

(58) **Field of Classification Search**

USPC D12/415-420, 400, 191, 106, 195, 192, D12/345, 96, 99; 224/162, 197, 217-218, 224/930; 24/3.13, 298, 115 K, 265 AL; D14/253, 251-252, 447, 451-452; 455/575.1-575.8; 206/305, 320, 45.24, 206/145.2; 379/433.07; 248/206.5, 248/309.4, 683; D11/26

CPC . A45C 13/20; A45F 5/00; A45F 5/021; A45F 2200/0516; A45F 2200/0525; H04B 1/3833; Y10T 24/13; Y10T 24/1397; B60R 11/0241; B60R 2011/0063; B60R 2011/007; B60R 2011/0005; B60R 2011/008; B60R 2011/0021; B60R 2011/0054; B60R 2011/0056; B60R 2011/0059; B60R 2011/0061; H04M 1/04
See application file for complete search history.

(56) **References Cited**

U.S. PATENT DOCUMENTS

D451,422 S * 12/2001 Wenrich D11/26
6,550,108 B2 * 4/2003 Pratl H04B 1/3833
24/115 K
D608,541 S * 1/2010 Myers D3/215
7,661,567 B2 * 2/2010 Myers A45C 13/20
224/162

D641,154 S * 7/2011 Smith D3/218
8,550,317 B2 * 10/2013 Hyseni A45F 5/00
224/197
D713,410 S * 9/2014 Francisco D14/485
D739,853 S * 9/2015 Lee D14/253
D753,912 S * 4/2016 Spero A45C 13/20
D3/218
D789,920 S * 6/2017 Zhang D14/253

OTHER PUBLICATIONS

Ebay, Universal Phone GPS Holder Finger Grip 360 Magnetic Car Dash Stand Mount Ring, 1195-2017.*

* cited by examiner

Primary Examiner — Catherine R Oliver-Garcia
(74) *Attorney, Agent, or Firm* — Steven A. Nielsen;
www.NielsenPatents.com

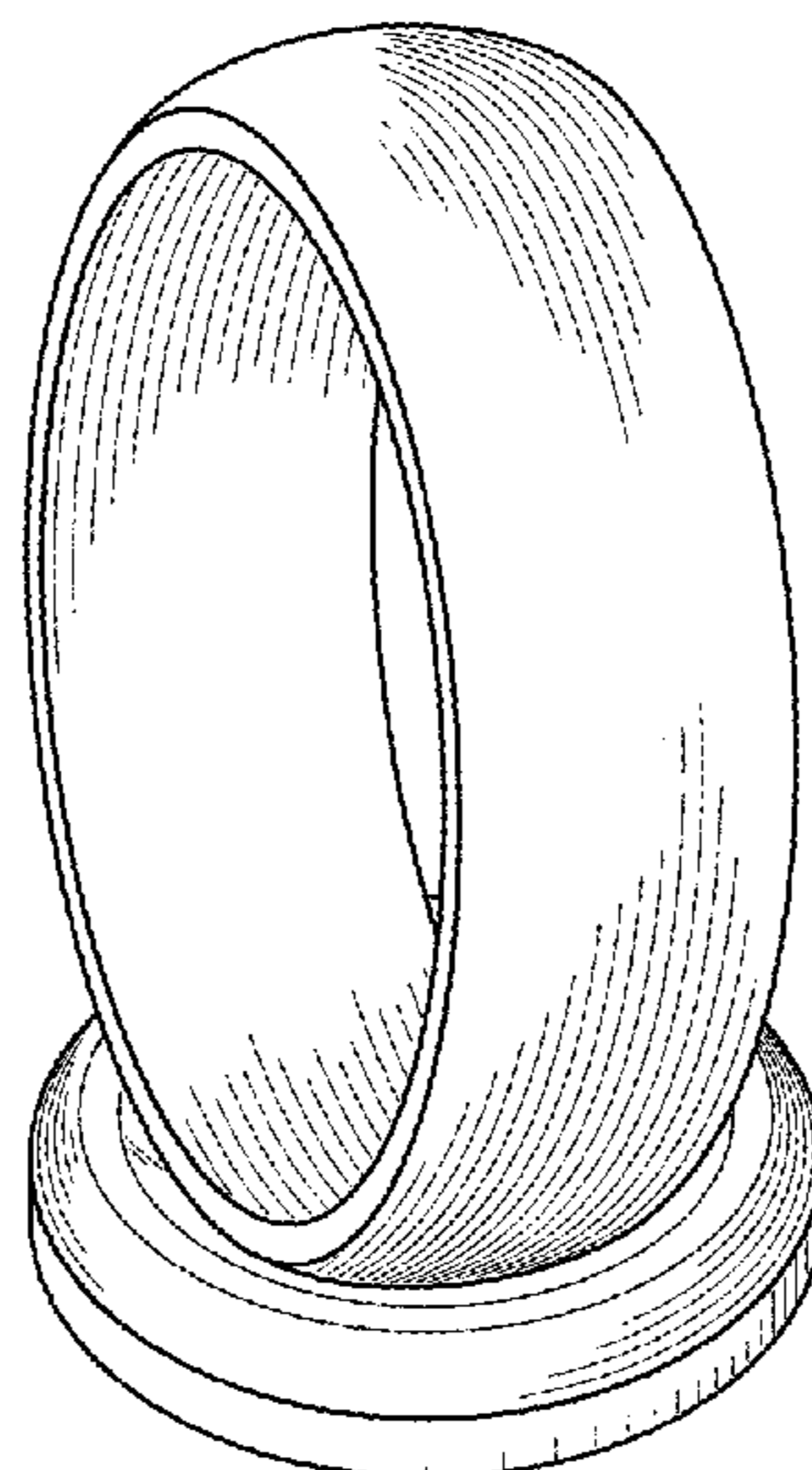
(57) **CLAIM**

The ornamental design for a ring and magnet for smart phone attachment, as shown and described.

DESCRIPTION

FIG. 1 is a top and side perspective view of a ring and magnet for smart phone attachment showing a new design; FIG. 2 is an exploded perspective view thereof; FIG. 3 is a top view thereof; FIG. 4 is a bottom view thereof; FIG. 5 is a left side view with the right side being a mirror image thereof; FIG. 6 is a front view with the rear view being a mirror image view thereof; FIG. 7 is a perspective view thereof, the dotted lines illustrate environmental conditions only and form no part of the claimed design; and, FIG. 8 comprises two perspective views of the magnet and ring, the dotted lines illustrate environmental conditions only and form no part of the claimed design.

1 Claim, 3 Drawing Sheets



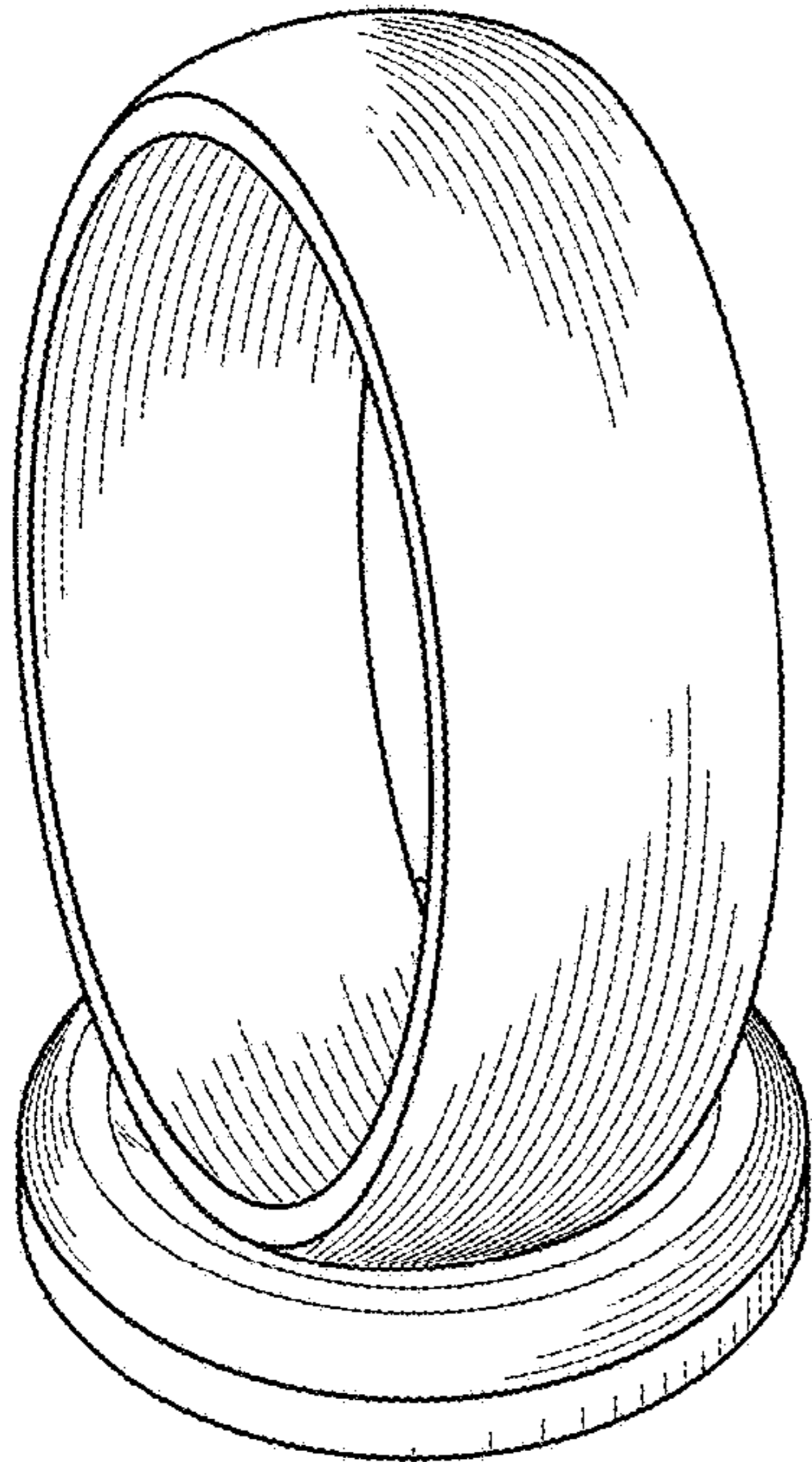


FIG. 1

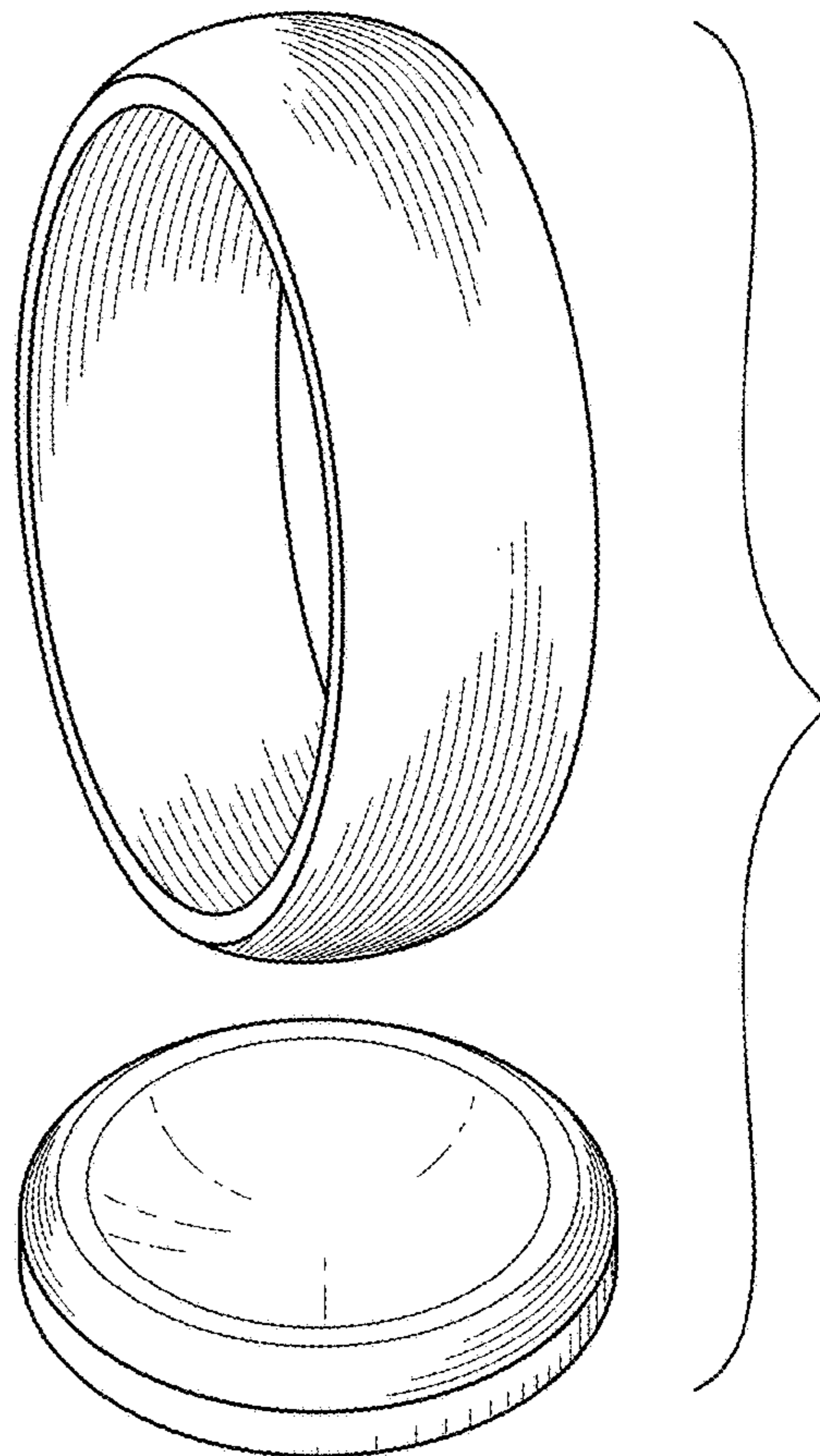


FIG. 2

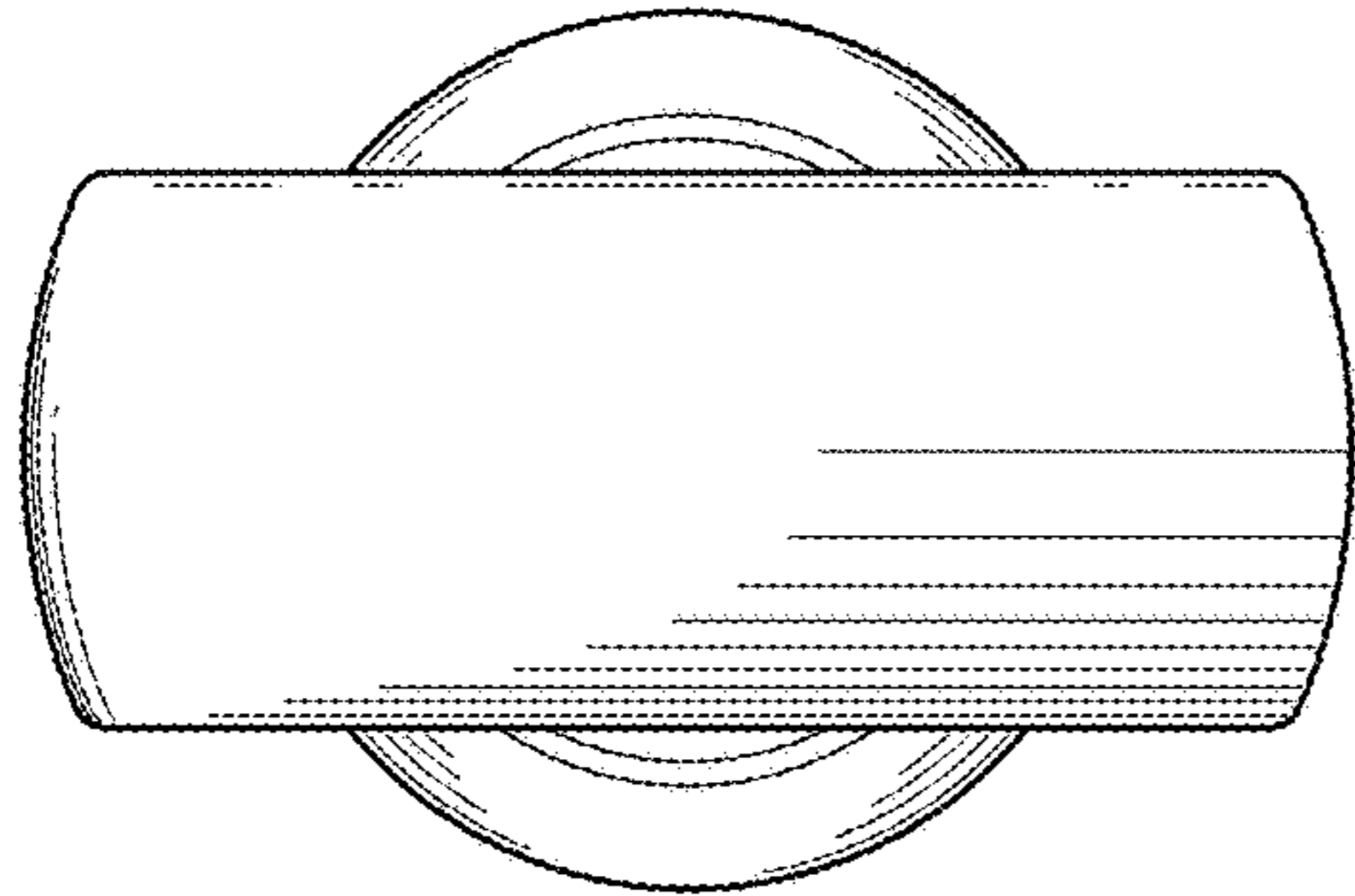


FIG. 3

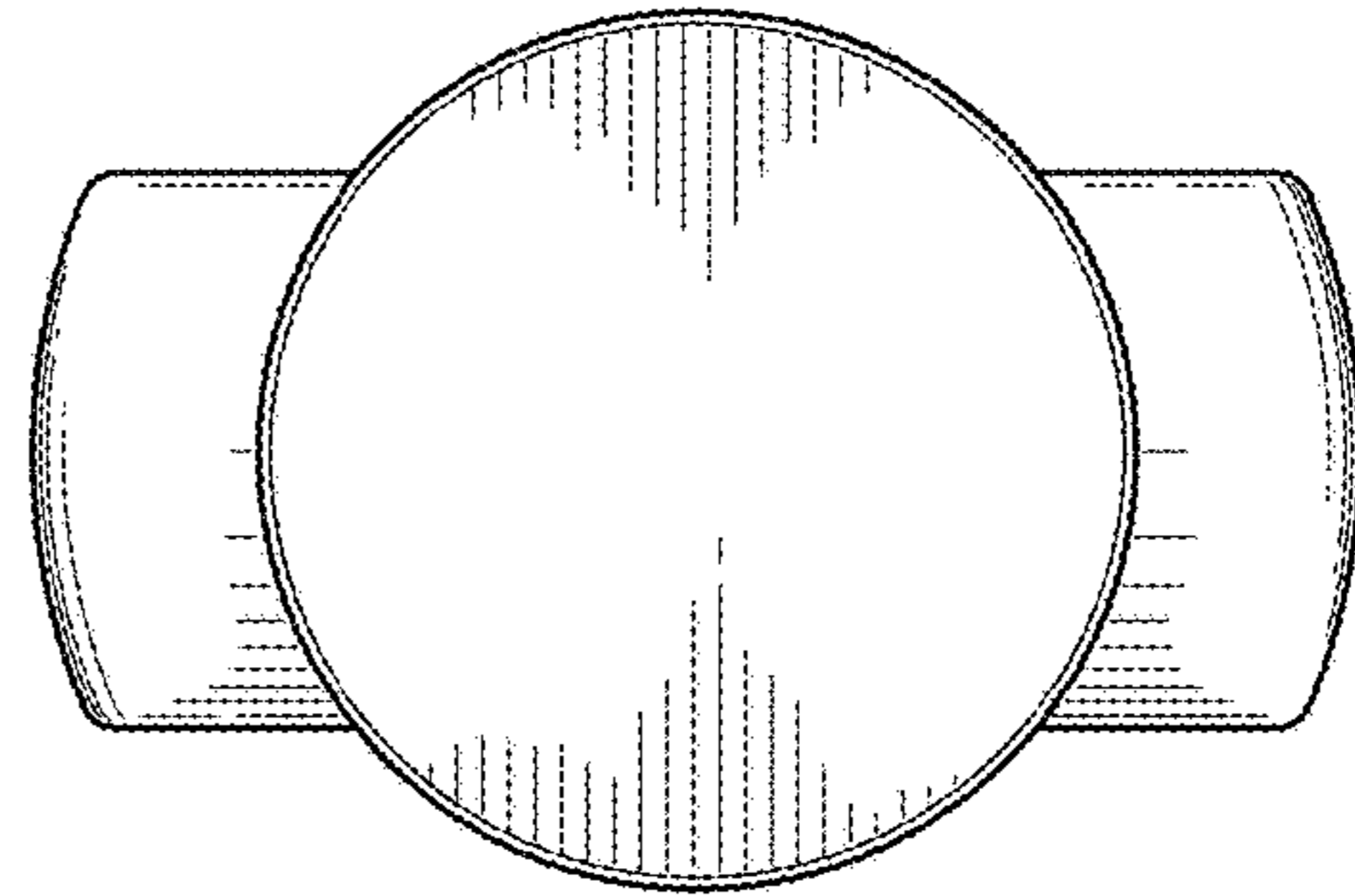


FIG. 4

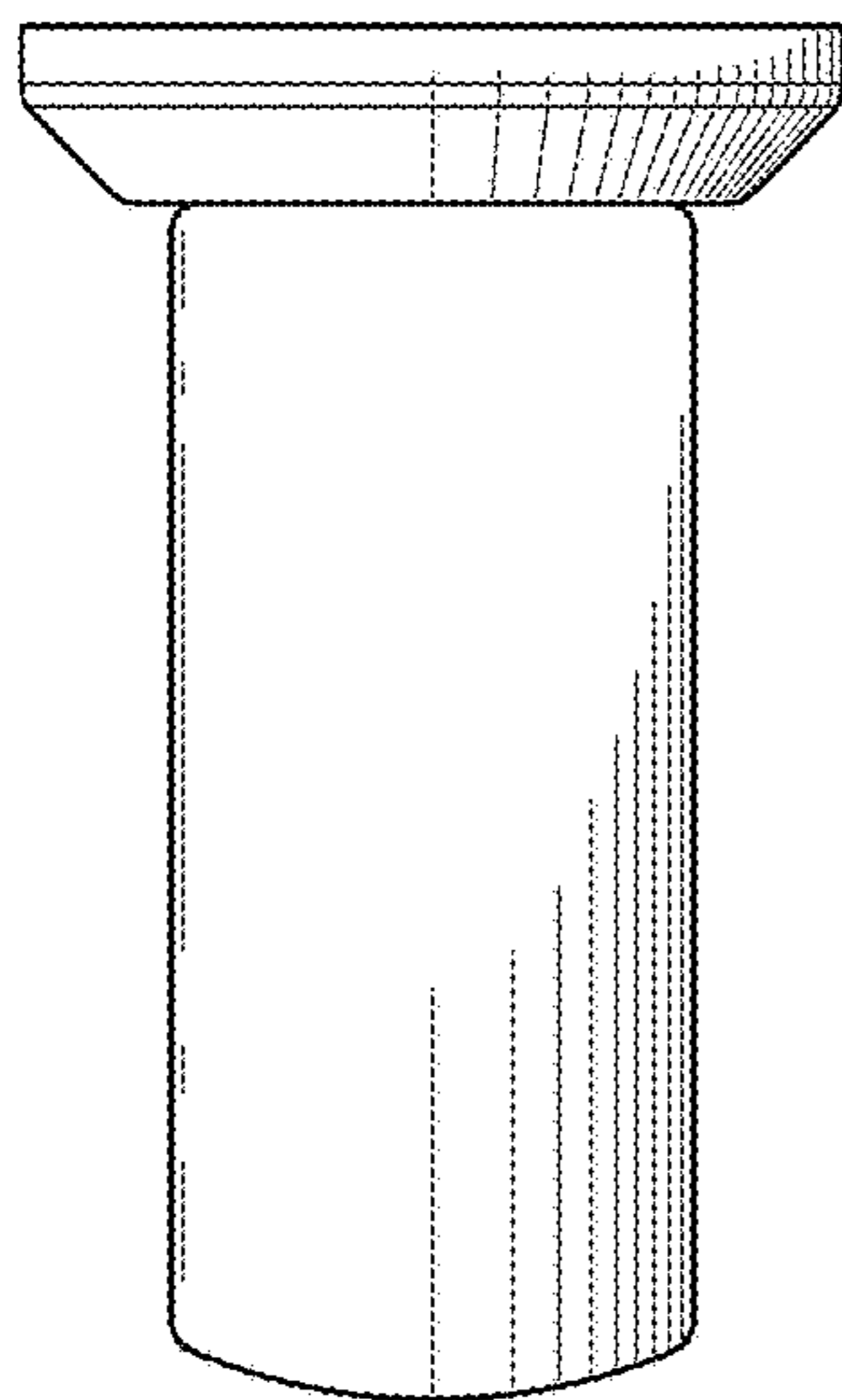


FIG. 5

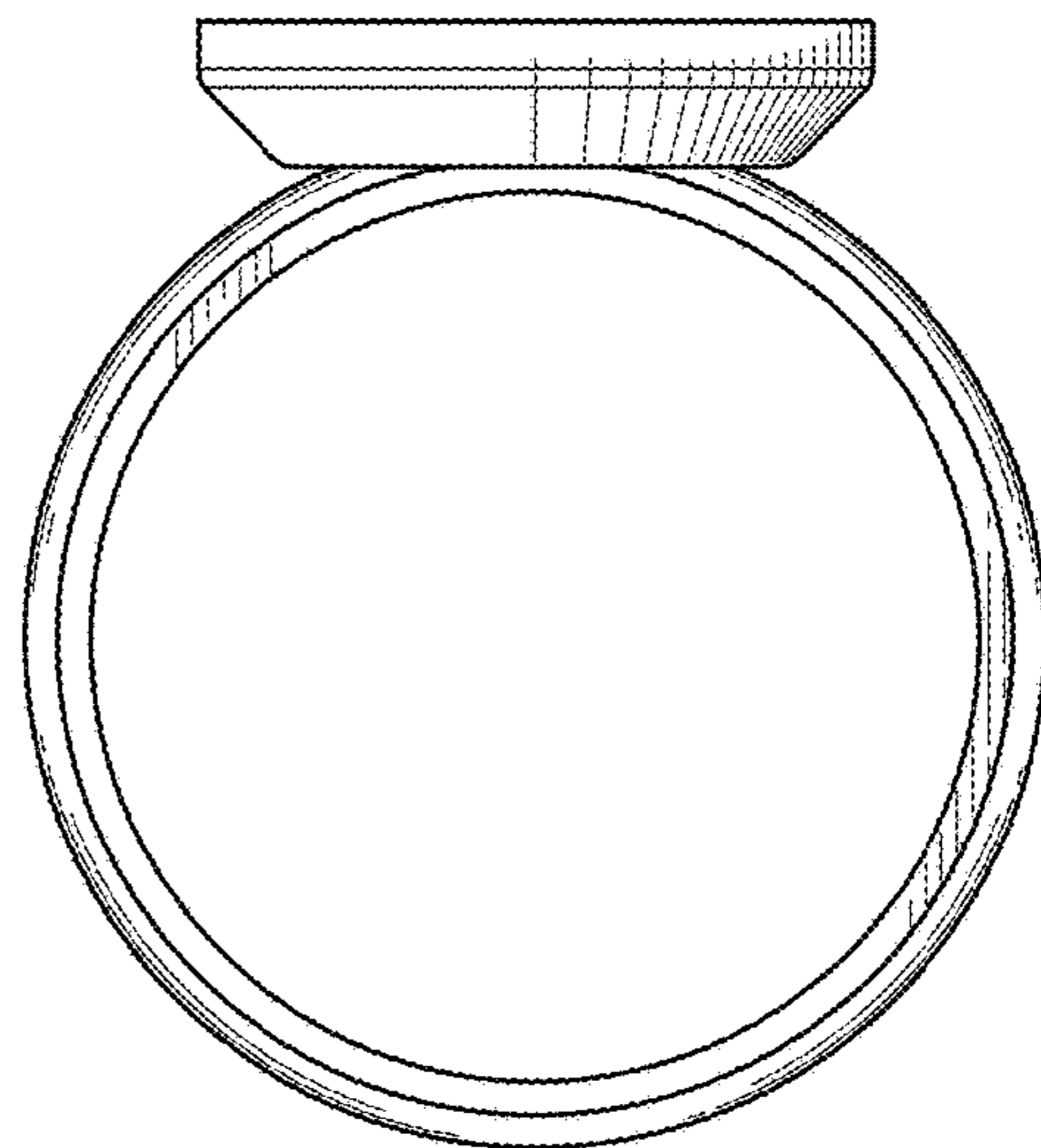


FIG. 6

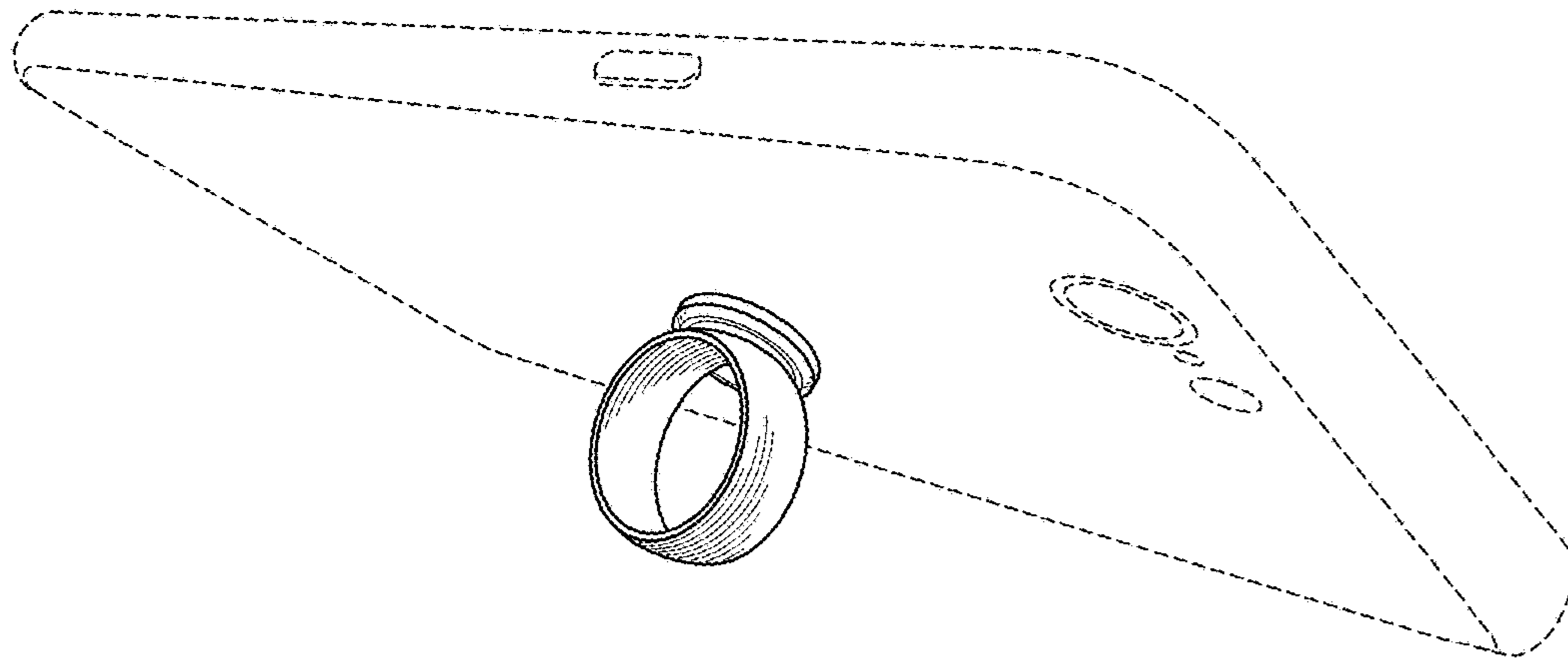


FIG. 7

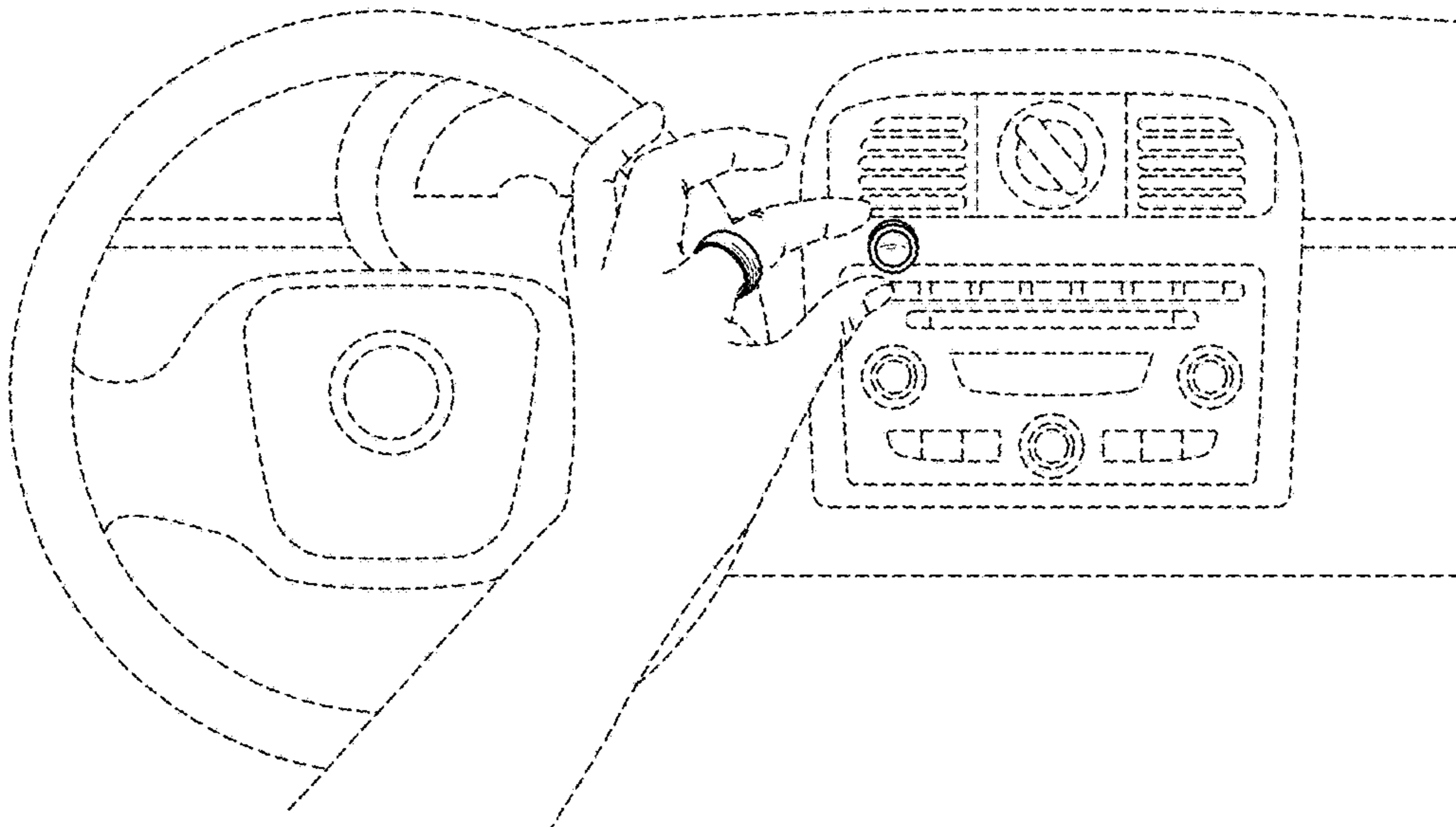


FIG. 8