



US00D809446S

(12) **United States Design Patent** (10) **Patent No.:** **US D809,446 S**  
**Montoya et al.** (45) **Date of Patent:** **\*\* Feb. 6, 2018**

- (54) **RUNNING BOARD WITH DROP STEPS**
- (71) Applicant: **IDDEA CALIFORNIA, LLC**, Brea (CA)
- (72) Inventors: **Alberto Montoya**, Zapopan (MX);  
**Timothy J. Wymore**, Yorba Linda, CA (US)
- (73) Assignee: **Iddea California, LLC**, Brea, CA (US)
- (\*\*) Term: **15 Years**
- (21) Appl. No.: **29/568,762**
- (22) Filed: **Jun. 21, 2016**
- (51) **LOC (11) Cl.** ..... **12-16**
- (52) **U.S. Cl.**  
USPC ..... **D12/203**
- (58) **Field of Classification Search**  
USPC .... D12/162, 203, 400, 414; D25/62-65, 68,  
D25/69, 156; 280/153.5, 163, 164.1,  
280/164.2, 169, 214, 414.1-414.3, 495,  
280/847, 848; 182/90-92; 238/14;  
428/81, 82; 52/179, 180, 718.03, 718.04  
CPC .... B60D 1/00; B60N 2/00; B60N 5/00; B60R  
3/00; B60R 3/02; B60R 3/002; B60R  
3/005; B60R 3/007; B60R 19/42; B60R  
21/00; B60Q 1/323  
See application file for complete search history.

- (56) **References Cited**  
U.S. PATENT DOCUMENTS  
D168,945 S \* 3/1953 Liskey ..... 182/222  
D168,946 S \* 3/1953 Liskey ..... 182/222  
2,747,888 A \* 5/1956 Jones ..... B60R 3/02  
182/88  
D292,904 S \* 11/1987 Bielby ..... D12/203  
4,749,191 A 6/1988 Gipson et al.  
5,193,829 A 3/1993 Holloway

5,511,750 A	4/1996	Evenson	
5,829,774 A	11/1998	Klemp	
6,533,302 B2	3/2003	Scruggs et al.	
6,588,783 B2	7/2003	Fichter	
D527,323 S	8/2006	Storer	
D532,354 S	11/2006	Storer	
7,168,721 B2	1/2007	Mulder	
D545,747 S	7/2007	Storer	
D568,222 S	5/2008	Storer	
D665,713 S *	8/2012	Pochurek	D12/203
D671,874 S *	12/2012	Kekich, Jr.	D12/203
8,641,068 B1 *	2/2014	Bundy	B60R 3/002 280/163
D731,384 S *	6/2015	Farr	D12/203
D757,622 S *	5/2016	Wolf	D12/203
9,409,520 B1 *	8/2016	Wang	B60R 3/002
9,758,103 B1 *	9/2017	Weant	B60R 3/002

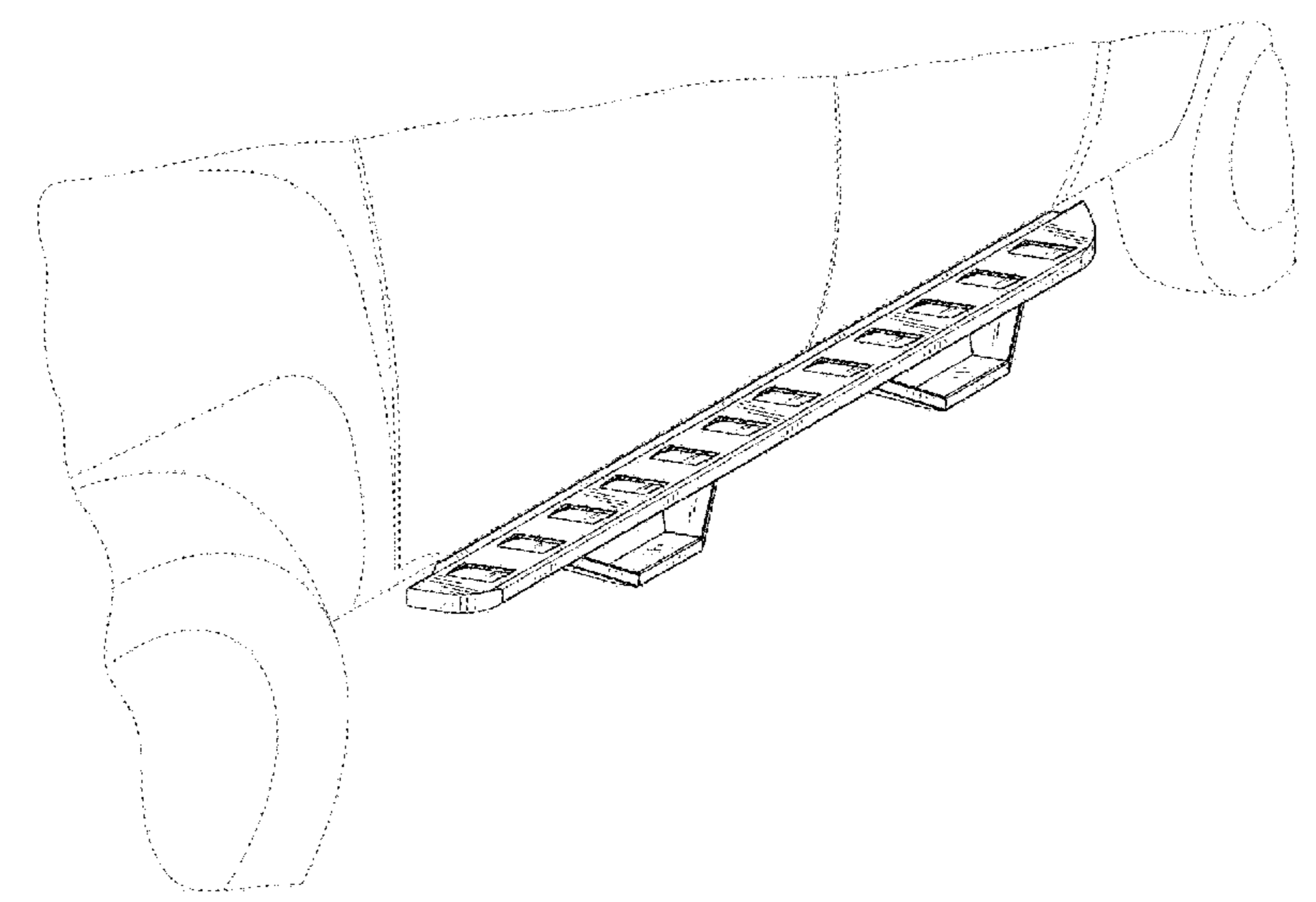
(Continued)

*Primary Examiner* — Wan Laymon  
*Assistant Examiner* — Clint A Samuel  
 (74) *Attorney, Agent, or Firm* — Stetina Brunda Garred and Brucker

(57) **CLAIM**  
 The ornamental design for a running board with drop steps, as shown and described.

**DESCRIPTION**  
 FIG. 1 is a top perspective view of the running board with drop steps of the present invention showing our new design; FIG. 2 is a top plan view thereof; FIG. 3 is a front elevational view thereof; FIG. 4 is a bottom plan view thereof; FIG. 5 is a left end view thereof; FIG. 6 is a right end view thereof; and, FIG. 7 is a rear elevational view thereof.  
 The broken line showing in the drawings is included for the purpose of illustrating environmental structure of the running board with drop steps and forms no part of the claimed design.

**1 Claim, 3 Drawing Sheets**



(56)

**References Cited**

U.S. PATENT DOCUMENTS

2008/0116652 A1\* 5/2008 Storer ..... B60R 3/00  
280/164.1  
2010/0194070 A1\* 8/2010 Stauffer ..... B60R 3/002  
280/166  
2012/0098231 A1\* 4/2012 Huotari ..... B60R 3/02  
280/166  
2015/0091270 A1\* 4/2015 Stanesic ..... B60R 3/002  
280/163  
2016/0059774 A1\* 3/2016 Crandall ..... B60Q 1/323  
280/164.1  
2016/0193964 A1\* 7/2016 Stanesic ..... G06T 1/60  
280/166

\* cited by examiner

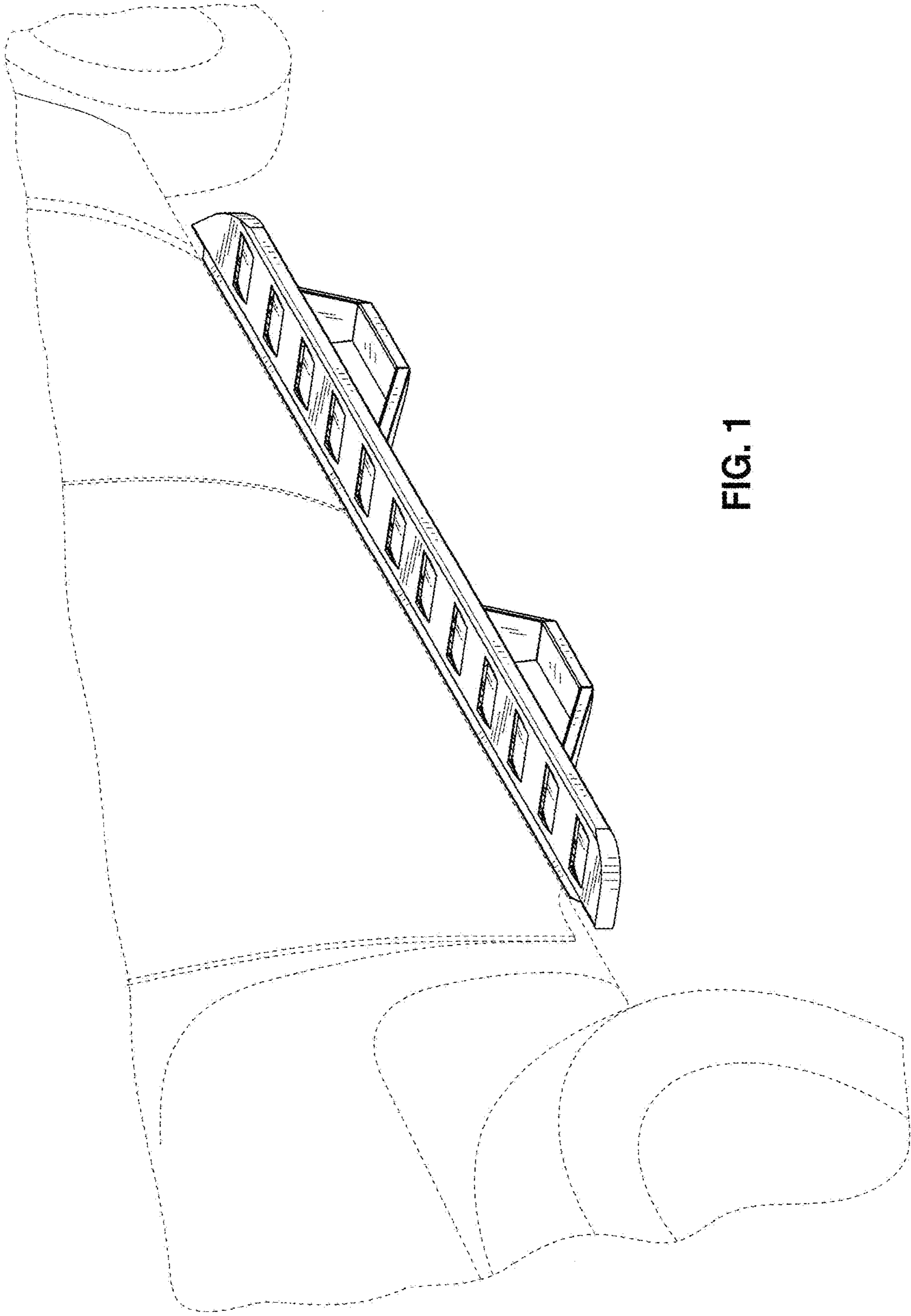


FIG. 1

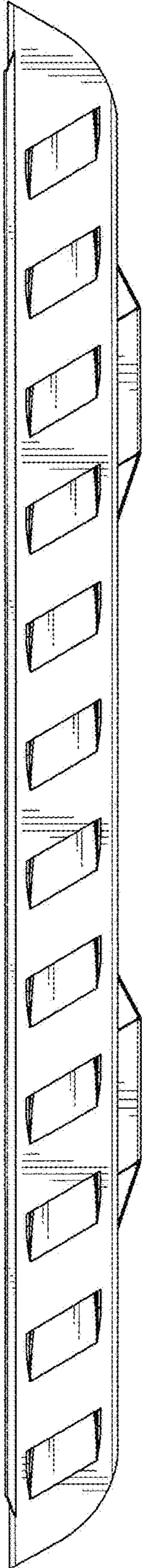


FIG. 2

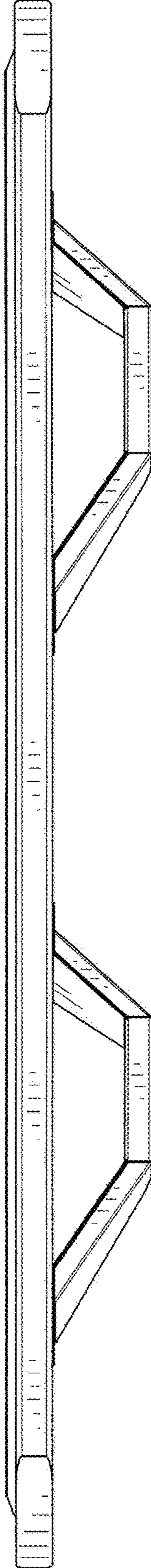


FIG. 3

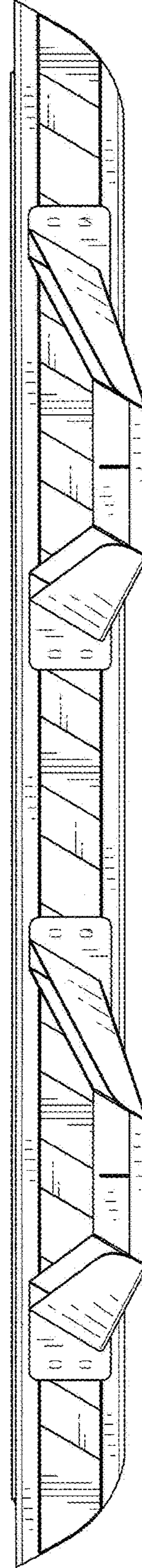


FIG. 4



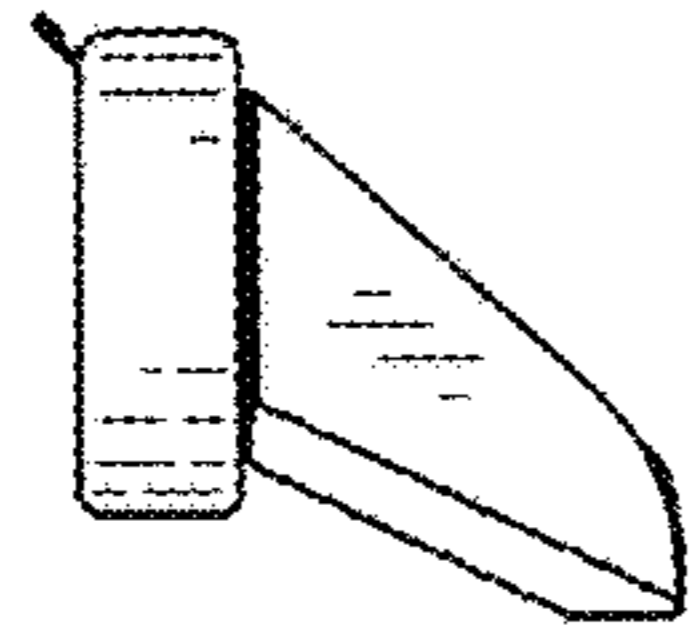


FIG. 5

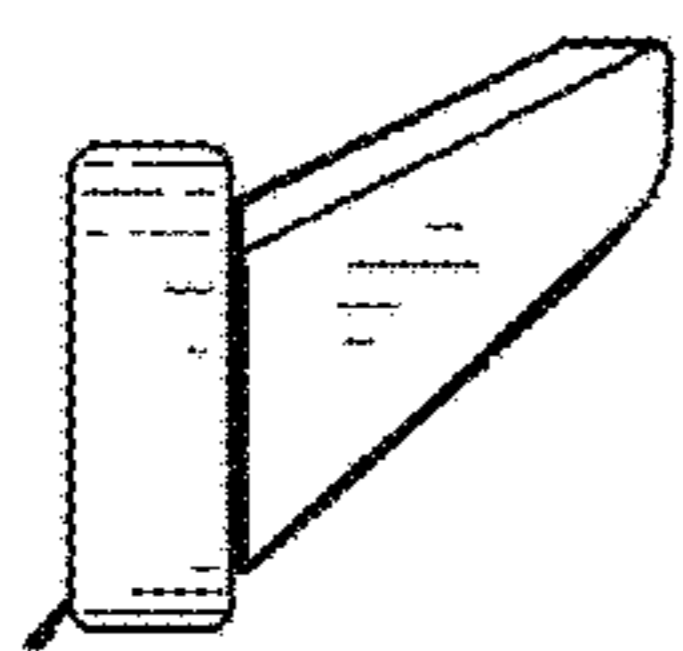


FIG. 6

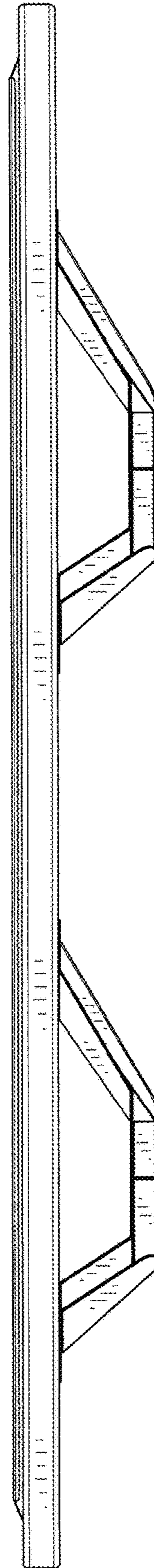


FIG. 7