



US00D809445S

(12) **United States Design Patent** (10) **Patent No.:** **US D809,445 S**
Gonzalez et al. (45) **Date of Patent:** **** Feb. 6, 2018**

(54) **VEHICLE FLOOR MAT WITH APPLIED SURFACE PATTERN**

D397,979 S * 9/1998 Graneto, III D12/203
D398,272 S * 9/1998 Graneto, III D12/203
D404,352 S * 1/1999 Lu D12/203

(Continued)

(71) Applicant: **Spartech LLC**, St. Louis, MO (US)

(72) Inventors: **Charlie Manuel Gonzalez**, Lake St. Louis, MO (US); **Moncy V. Jose**, St. Charles, MO (US)

(73) Assignee: **Spartech LLC**, St. Louis, MO (US)

(**) Term: **14 Years**

(21) Appl. No.: **29/508,216**

(22) Filed: **Nov. 4, 2014**

(51) **LOC (11) Cl.** **12-16**

(52) **U.S. Cl.**
USPC **D12/203**

(58) **Field of Classification Search**
USPC D12/203, 221; D6/582-586, 592-594;
D15/2, 3, 15, 50, 53; D25/138, 149;
D5/47, 55, 56, 60, 99
CPC . B60R 13/01; B60R 2021/0213; B60N 3/044;
B60N 3/04
See application file for complete search history.

(56) **References Cited**

U.S. PATENT DOCUMENTS

1,698,005 A * 1/1929 Stanwood B60R 3/04
280/164.2
D121,090 S * 6/1940 Cummings D5/47
D178,414 S * 7/1956 Meyer D12/203
3,389,446 A * 6/1968 Parrish D01D 5/247
264/321
D225,129 S * 11/1972 Hoffman D5/53
D333,645 S * 3/1993 Tyler D12/221
D344,481 S * 2/1994 Ryan D12/221
D377,780 S 2/1997 MacNeil
D394,036 S * 5/1998 Mauffette D12/203
D394,037 S * 5/1998 Mauffette D12/203

OTHER PUBLICATIONS

Hawaiian Lauhala Mat, Fine Art America, Apr. 4, 2013, 1 pg.
<http://fineartamerica.com/featured/hawaiian-lauhala-mat-brandon-tabiolo.html>.*

(Continued)

Primary Examiner — Geroge D. Kirschbaum

Assistant Examiner — Clese Moore, Jr.

(74) *Attorney, Agent, or Firm* — Armstrong Teasdale LLP

(57) **CLAIM**

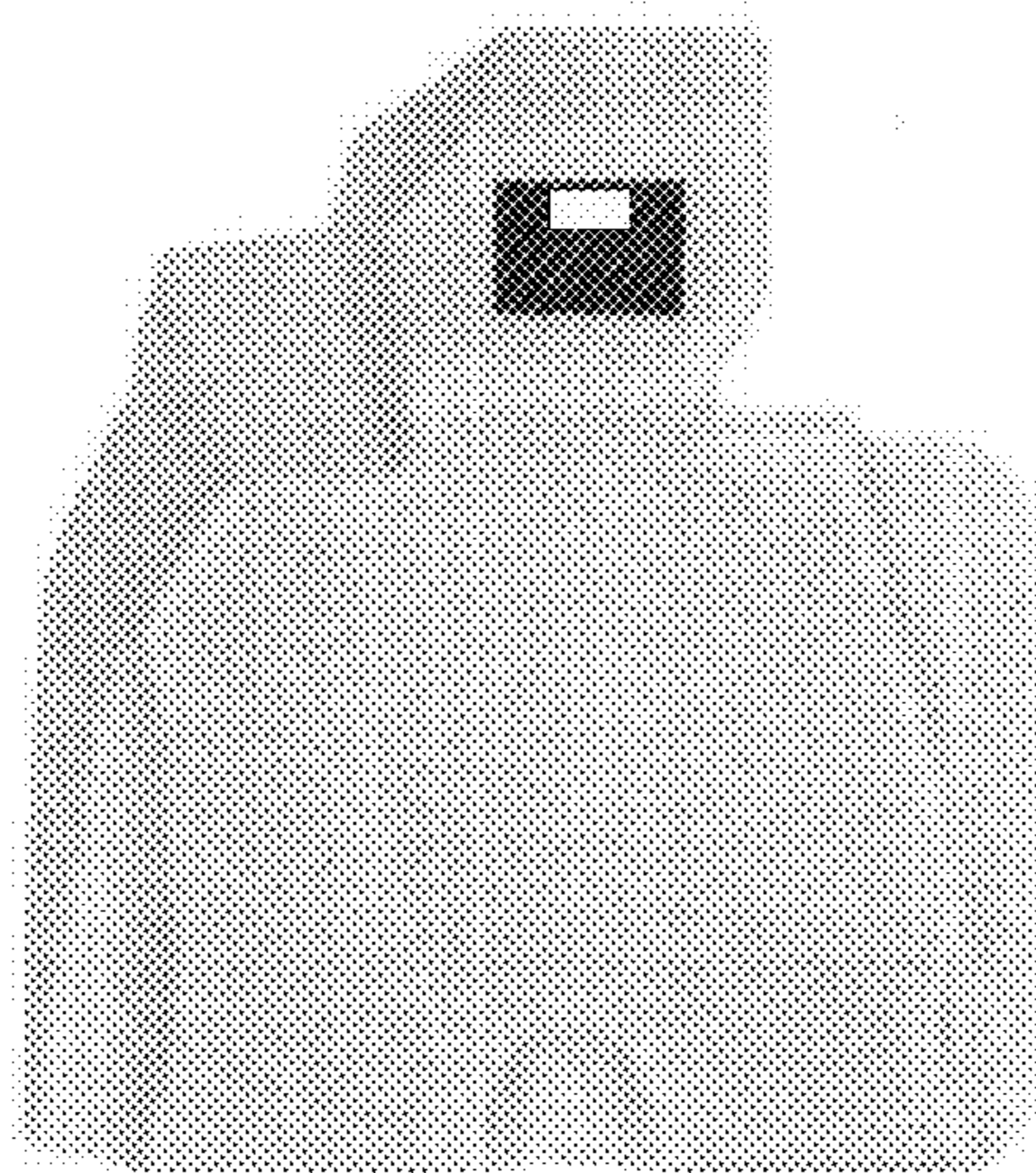
The ornamental design for a vehicle floor mat with applied surface pattern, as shown and described.

DESCRIPTION

FIG. 1 is a top perspective view of a vehicle floor mat with applied surface pattern;
FIG. 2 is a magnified view thereof in FIG. 1;
FIG. 3 is a top perspective view thereof;
FIG. 4 is a magnified view thereof in FIG. 3;
FIG. 5 is a top perspective view thereof;
FIG. 6 is a magnified view thereof in FIG. 5;
FIG. 7 is a top perspective view thereof;
FIG. 8 is a magnified view thereof in FIG. 7;
FIG. 9 is a top perspective view thereof;
FIG. 10 is a magnified view thereof in FIG. 9;
FIG. 11 is a highly magnified view thereof in FIGS. 1-10; and,
FIG. 12 is an even greater highly magnified view thereof in FIGS. 1-10.

The greyed out portions of the vehicle floor mats are environment that forms no part of the claimed design. The rectangular scale legend box embedded in each of the representative rectangular portions forms no part of the claimed design.

1 Claim, 12 Drawing Sheets



(56)

References Cited

U.S. PATENT DOCUMENTS

D434,359 S * 11/2000 Moore D12/203
 D514,493 S * 2/2006 MacNeil D12/203
 D522,428 S 6/2006 MacNeil
 D525,793 S * 8/2006 Delaney D5/53
 D529,852 S 10/2006 Thom
 D529,853 S 10/2006 Thom
 D530,250 S 10/2006 Thom
 D544,216 S * 6/2007 Prestridge D5/47
 7,316,847 B2* 1/2008 MacNeil B6N 3/044
 428/515
 7,401,837 B2 7/2008 MacNeil
 D577,572 S 9/2008 Kelleghan
 7,444,748 B2 11/2008 MacNeil
 D586,259 S 2/2009 Kelleghan
 D591,584 S 5/2009 Kelleghan
 D602,766 S 10/2009 Kelleghan
 D603,777 S 11/2009 Manasek, Jr.
 D608,709 S 1/2010 Manasek, Jr. et al.
 7,686,370 B2 3/2010 MacNeil
 7,686,371 B2 3/2010 MacNeil
 D617,130 S 6/2010 Thom
 7,740,370 B2 6/2010 Campbell et al.
 7,784,848 B2 8/2010 MacNeil
 D631,834 S 2/2011 Neidhart
 7,985,111 B2 7/2011 Gasparro
 8,080,302 B2 12/2011 Gifford et al.
 D656,874 S * 4/2012 MacNeil D12/203
 D656,875 S * 4/2012 MacNeil D12/203
 8,277,918 B1 10/2012 Gifford et al.
 D673,491 S * 1/2013 Wang D12/203
 8,382,186 B2 2/2013 MacNeil et al.
 8,535,785 B2 9/2013 Masanek, Jr. et al.
 D691,945 S 10/2013 Neidhart

D694,023 S * 11/2013 Thuma D5/43
 8,640,403 B2 2/2014 Masanek, Jr. et al.
 D701,048 S * 3/2014 Fischer, Jr. D5/43
 D703,347 S 4/2014 Masanek, Jr.
 D704,354 S 5/2014 Masanek, Jr.
 D704,355 S 5/2014 Masanek, Jr.
 D704,356 S 5/2014 Masanek, Jr.
 D704,357 S 5/2014 Masanek, Jr.
 D707,782 S 6/2014 Burnham
 D708,358 S 7/2014 Masanek, Jr.
 8,833,834 B2 9/2014 MacNeil et al.
 8,840,168 B2 9/2014 MacNeil et al.
 8,899,655 B1 12/2014 MacNeil et al.
 D721,774 S * 1/2015 Gamble D21/706
 D733,022 S * 6/2015 Chang D12/203
 D734,232 S * 7/2015 Chang D12/203
 D745,277 S * 12/2015 Kraft D3/254
 D753,374 S * 4/2016 Kraft D2/882
 2003/0097767 A1 5/2003 Perkinson
 2007/0218240 A1 9/2007 Chang
 2009/0003738 A1* 1/2009 Hall B29D 7/01
 383/105
 2009/0243322 A1 10/2009 Vance et al.
 2013/0280479 A1 10/2013 Okada et al.

OTHER PUBLICATIONS

3M, "3M DI-NOC Architectural Finishes—Textures" Brochure, 2011, p. 19.
 Carbon Fiber Film website, "Gallery—Carbon Fiber Film" (available at: <http://www.carbonfiberfilm.com/gallery/>) (captured by the Internet Archive Wayback Machine on Oct. 24, 2012 and available at: <https://web.archive.org/web/20121024041128/http://www.carbonfiberfilm.com/gallery/>).

* cited by examiner

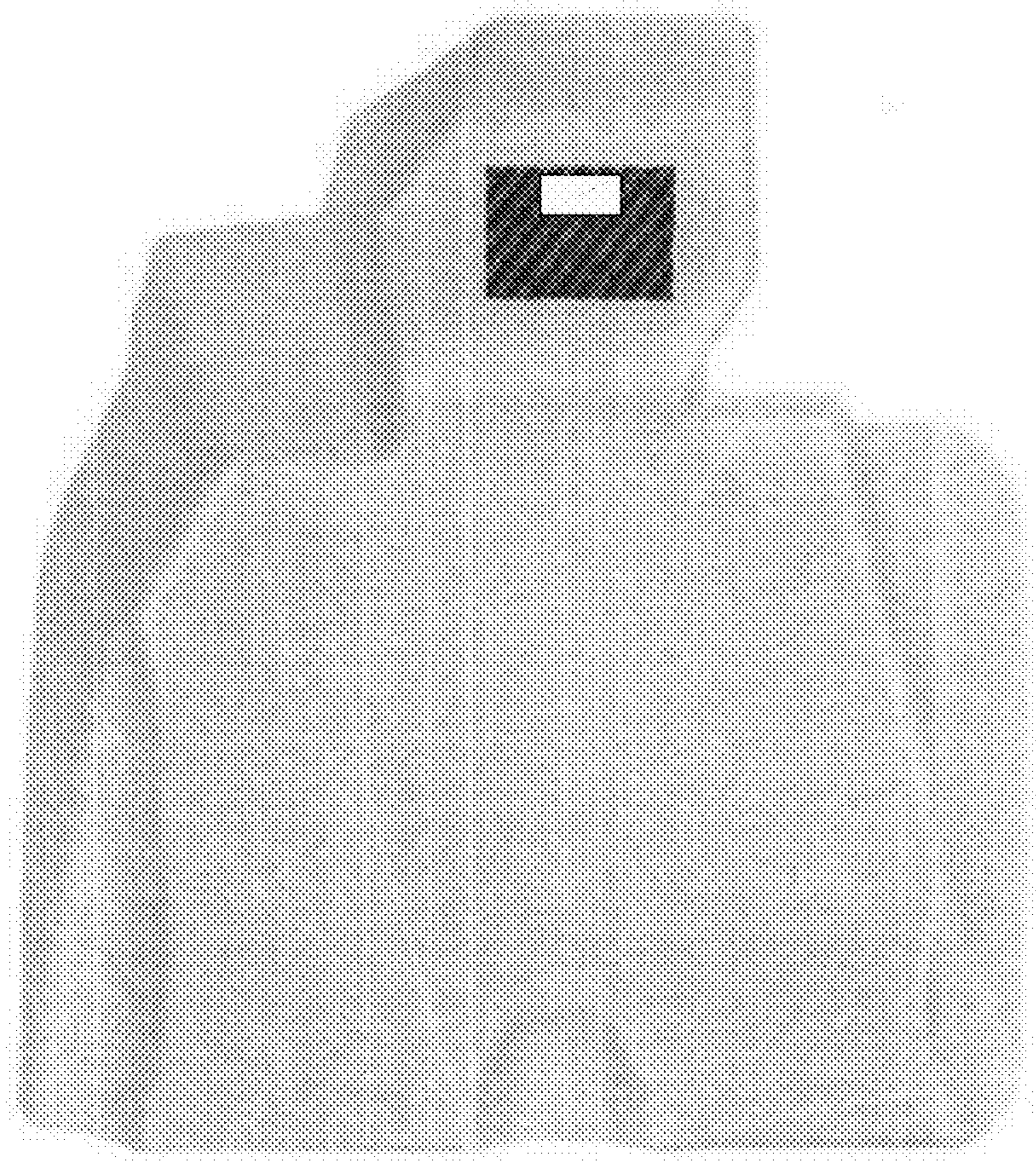


FIG. 1

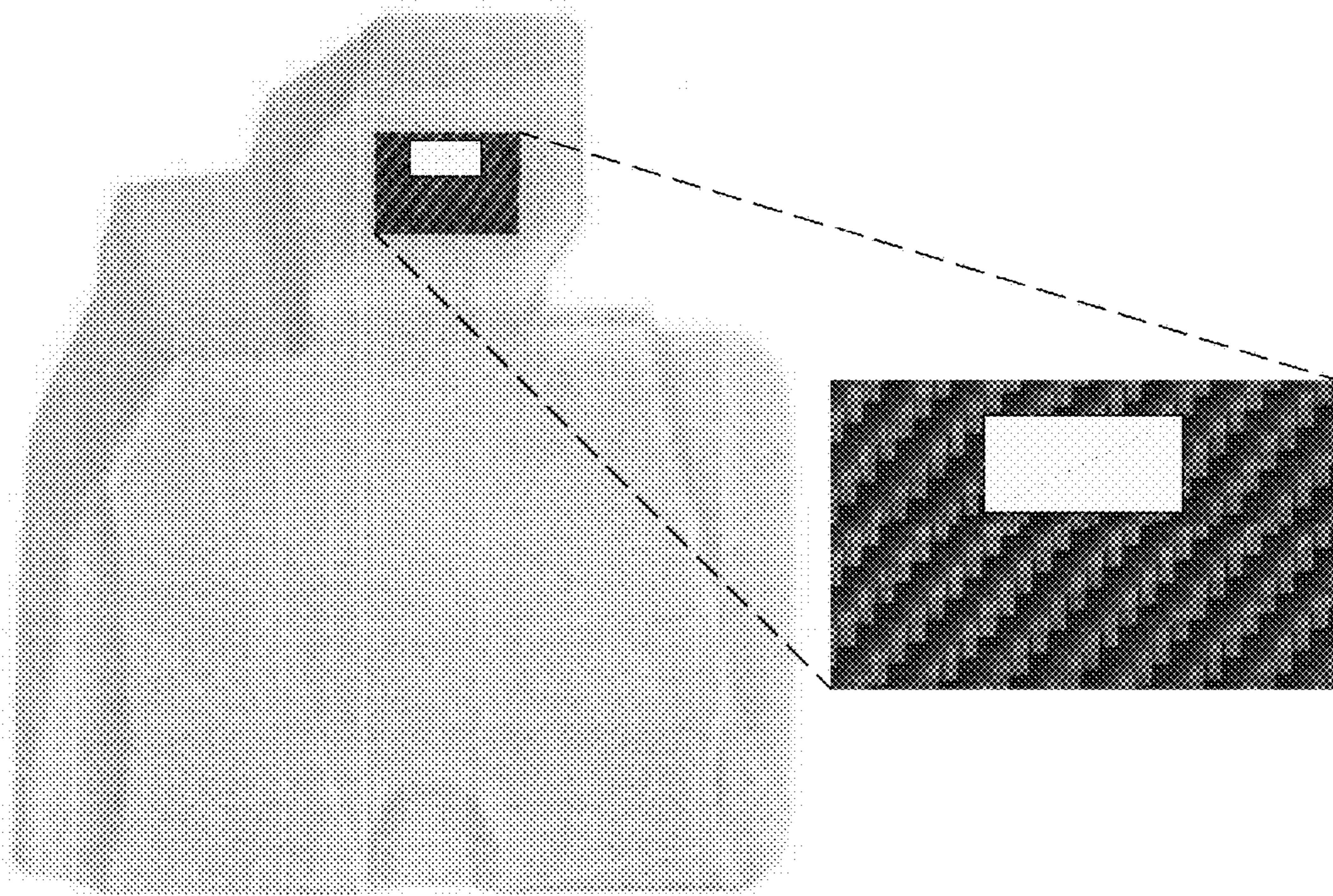


FIG. 2



FIG. 3

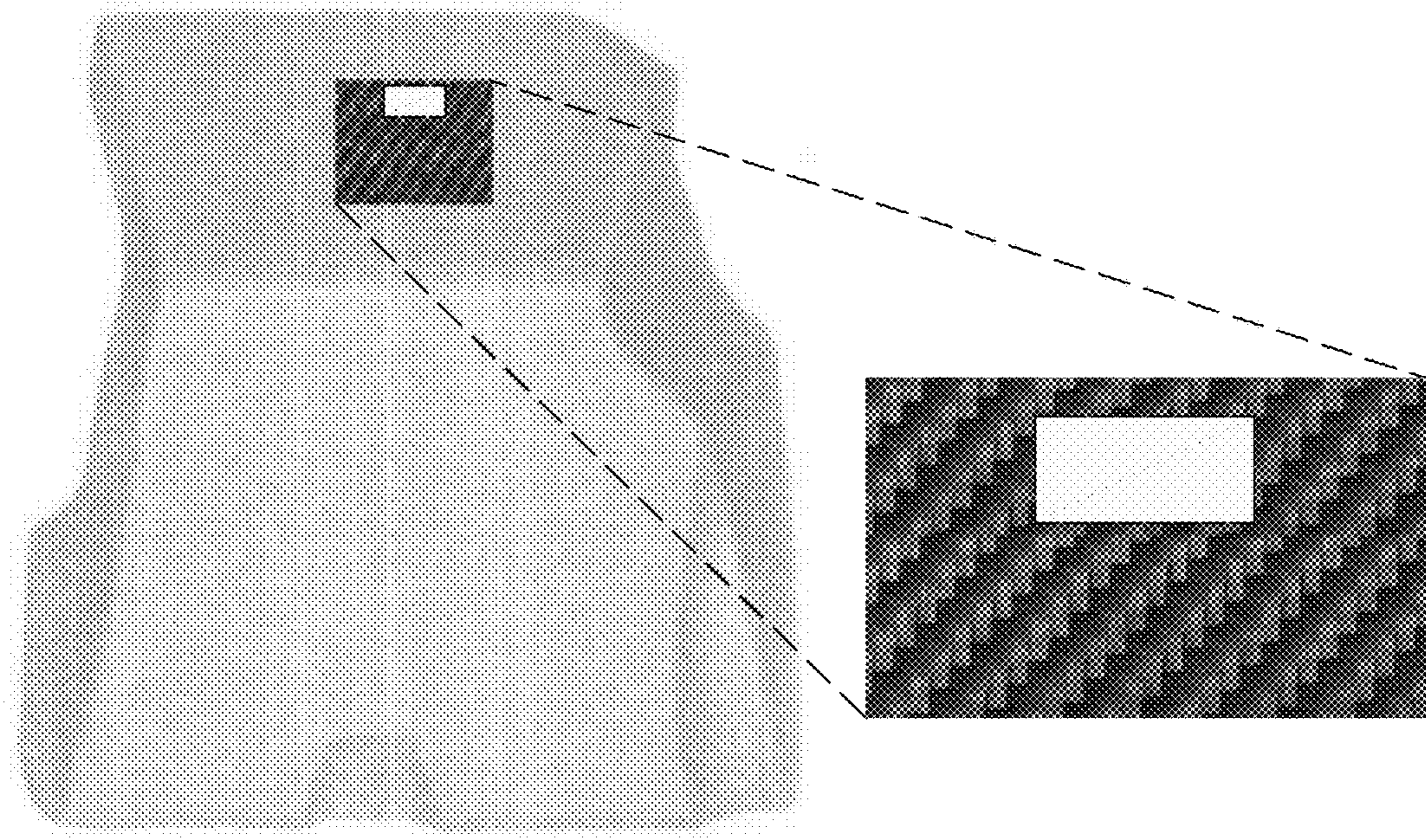


FIG. 4

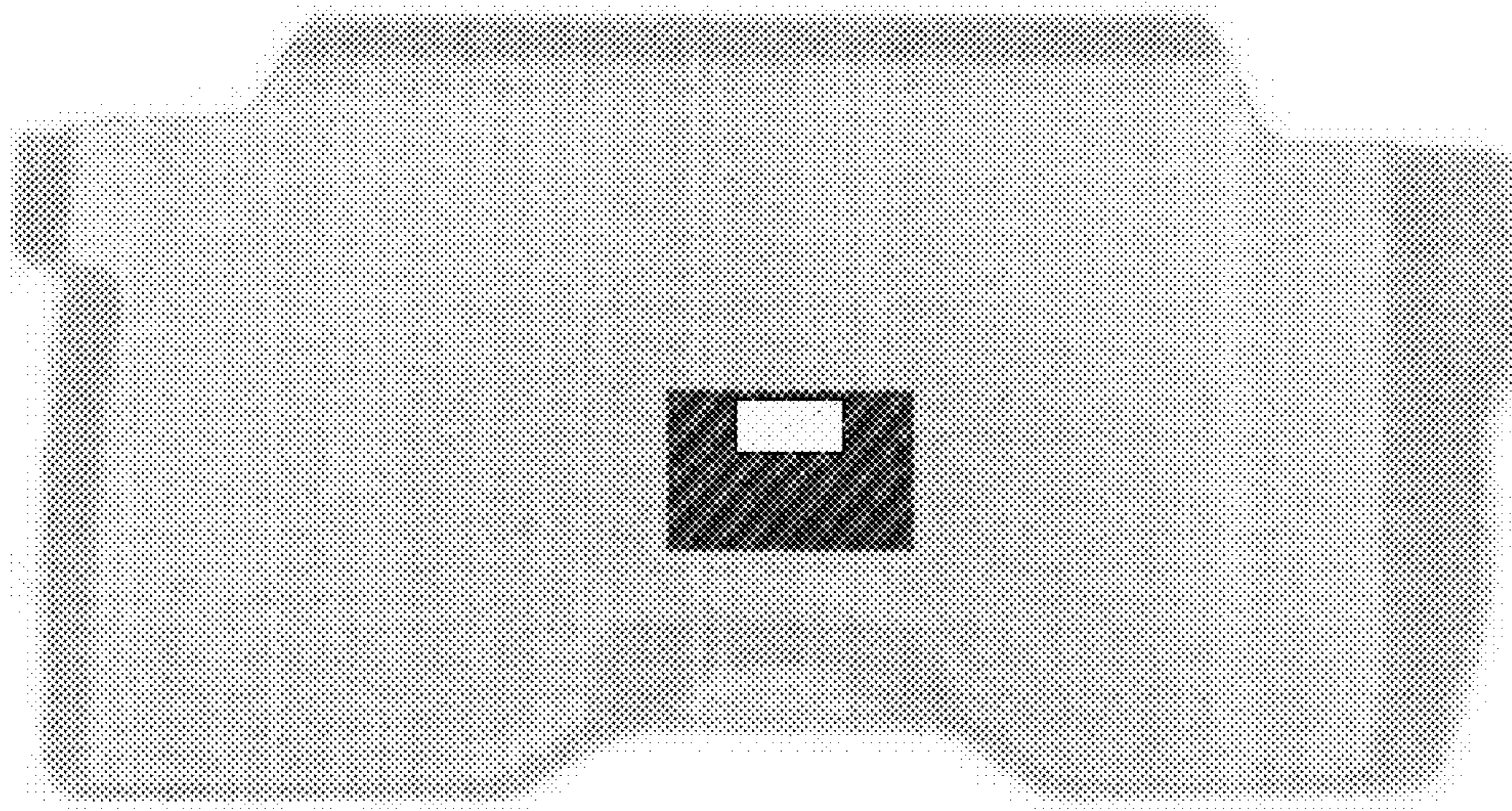


FIG. 5

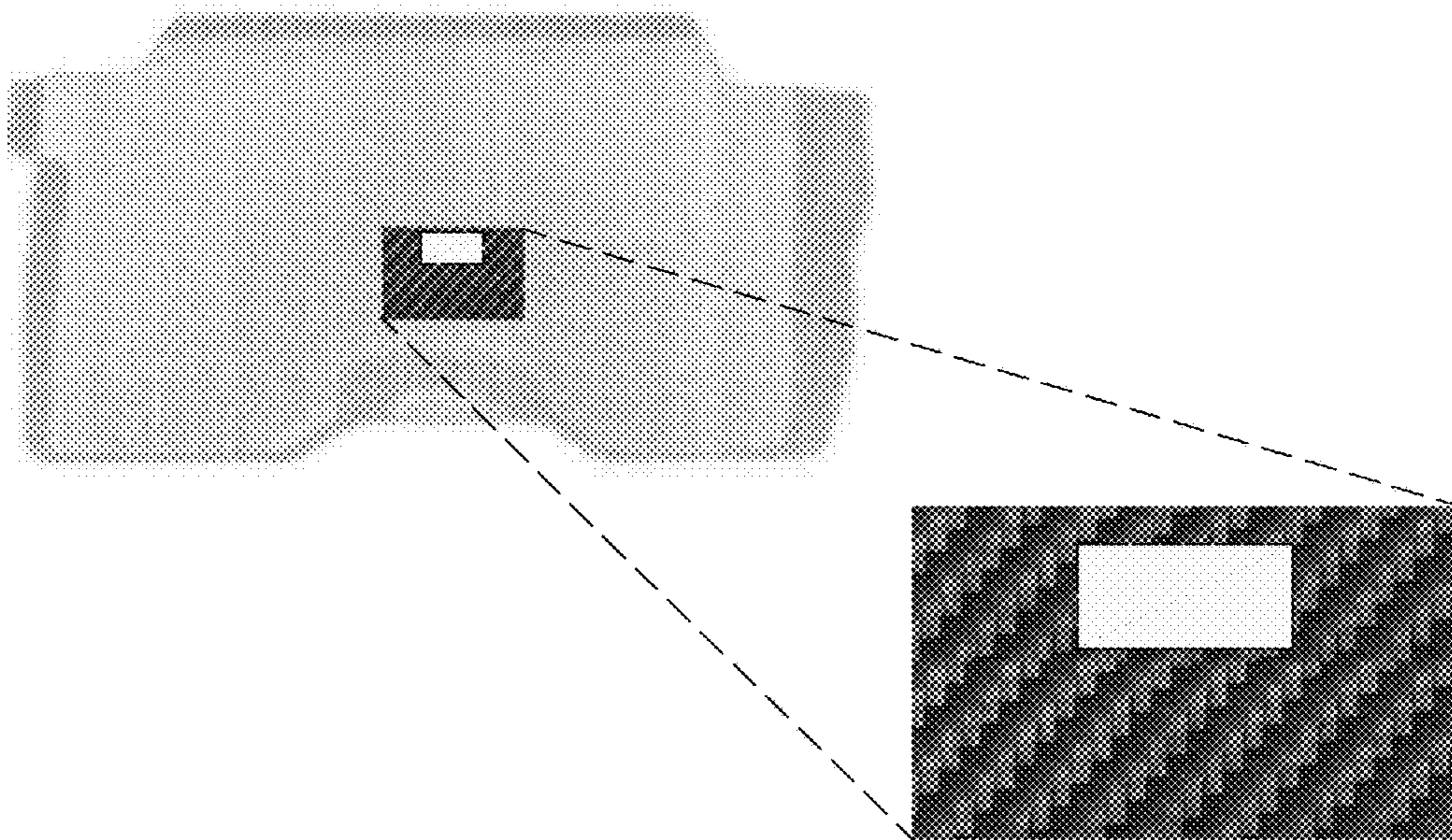


FIG. 6

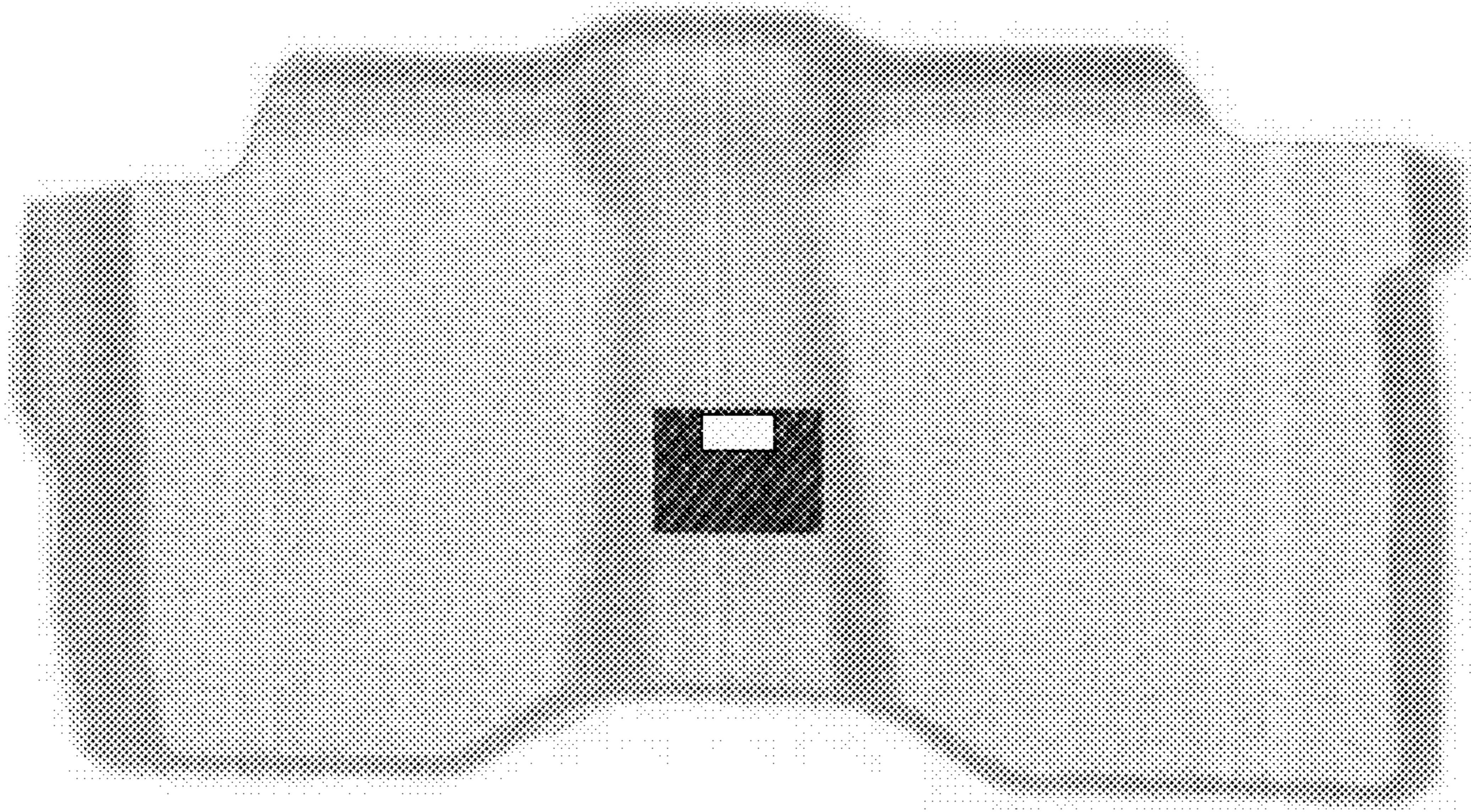


FIG. 7

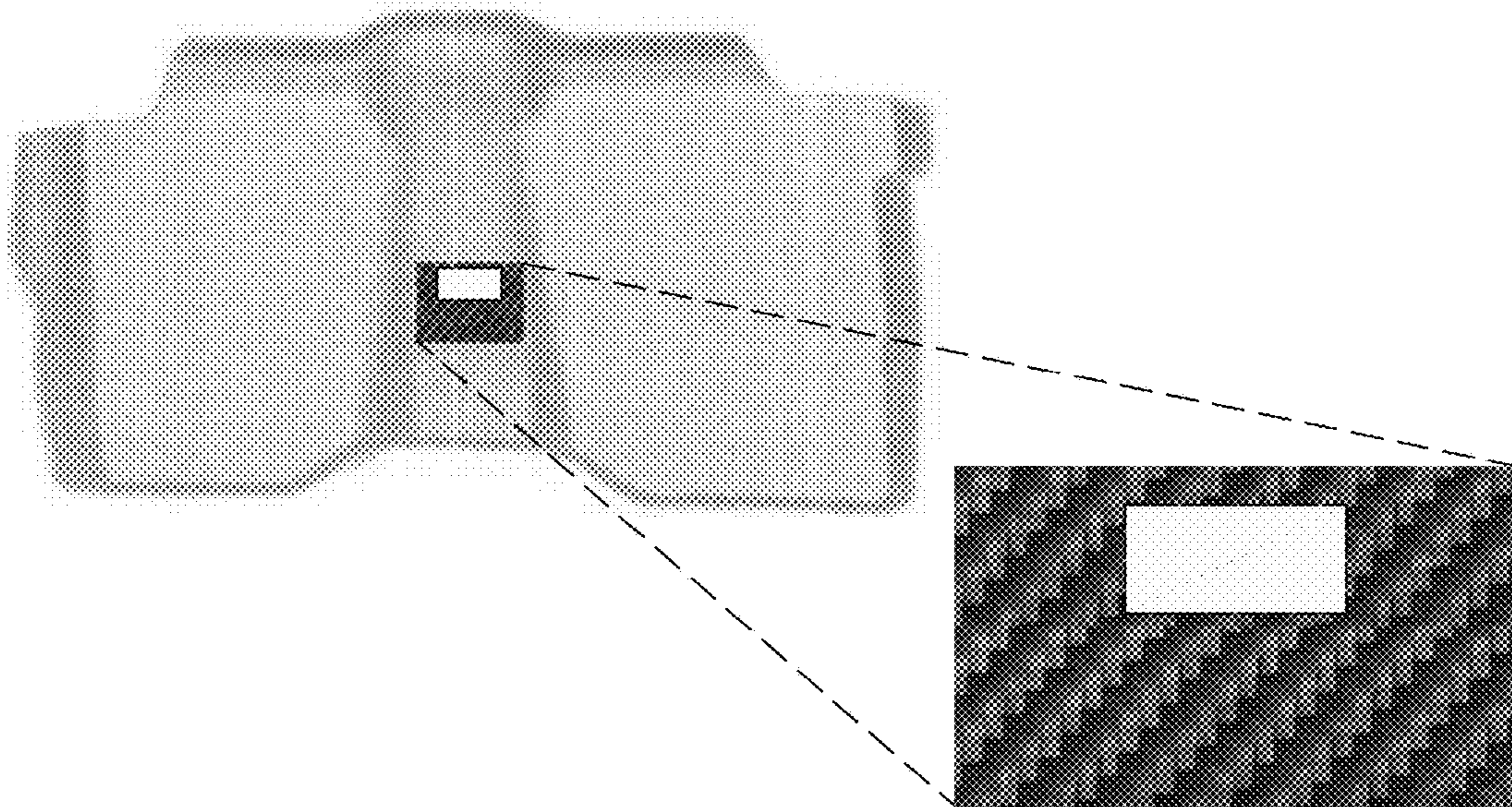


FIG. 8

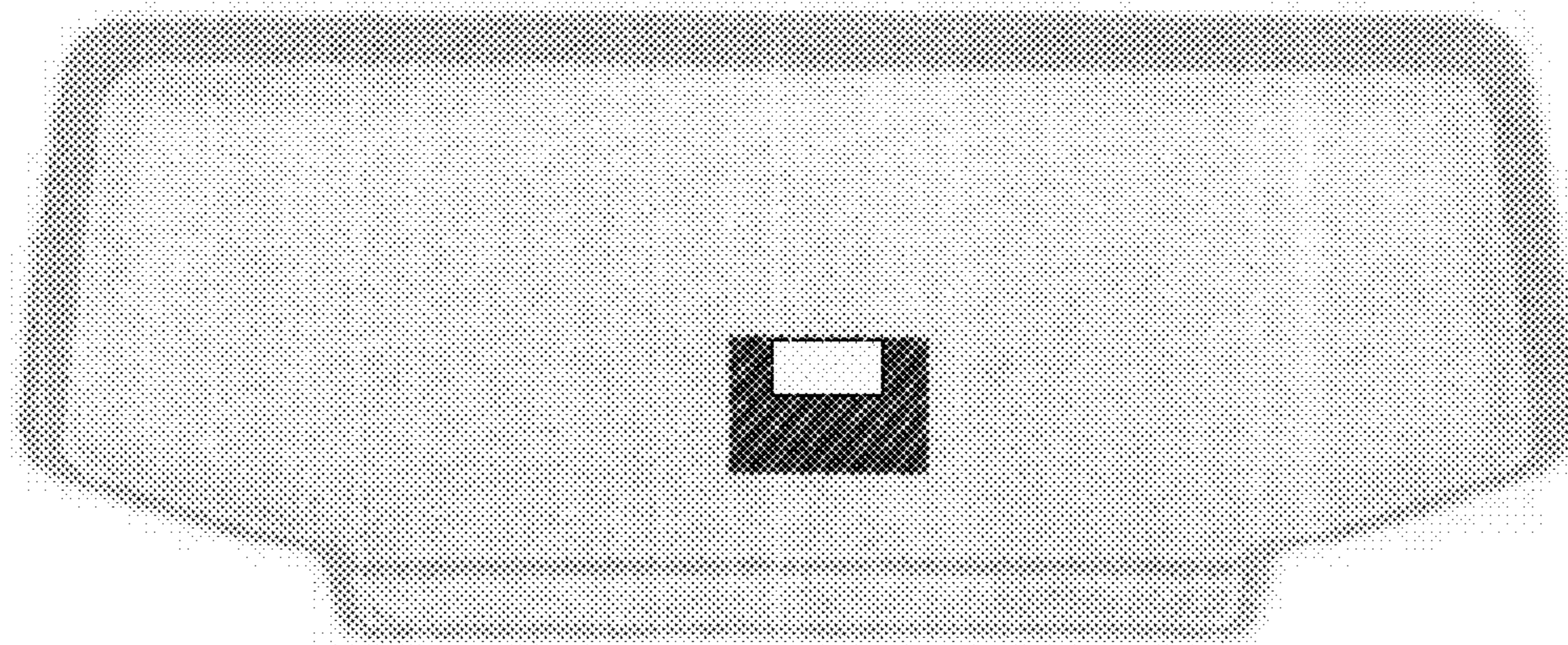


FIG. 9

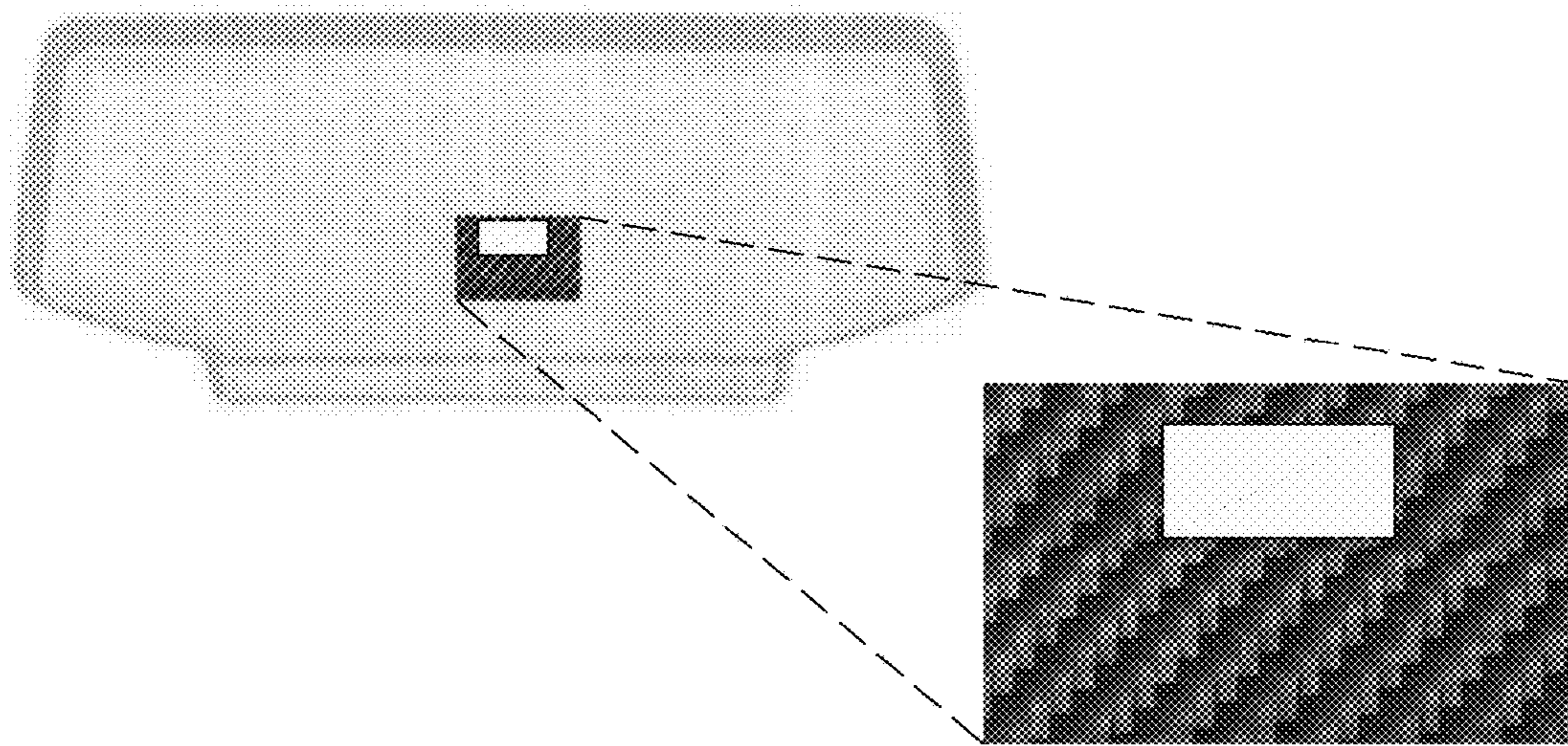


FIG. 10

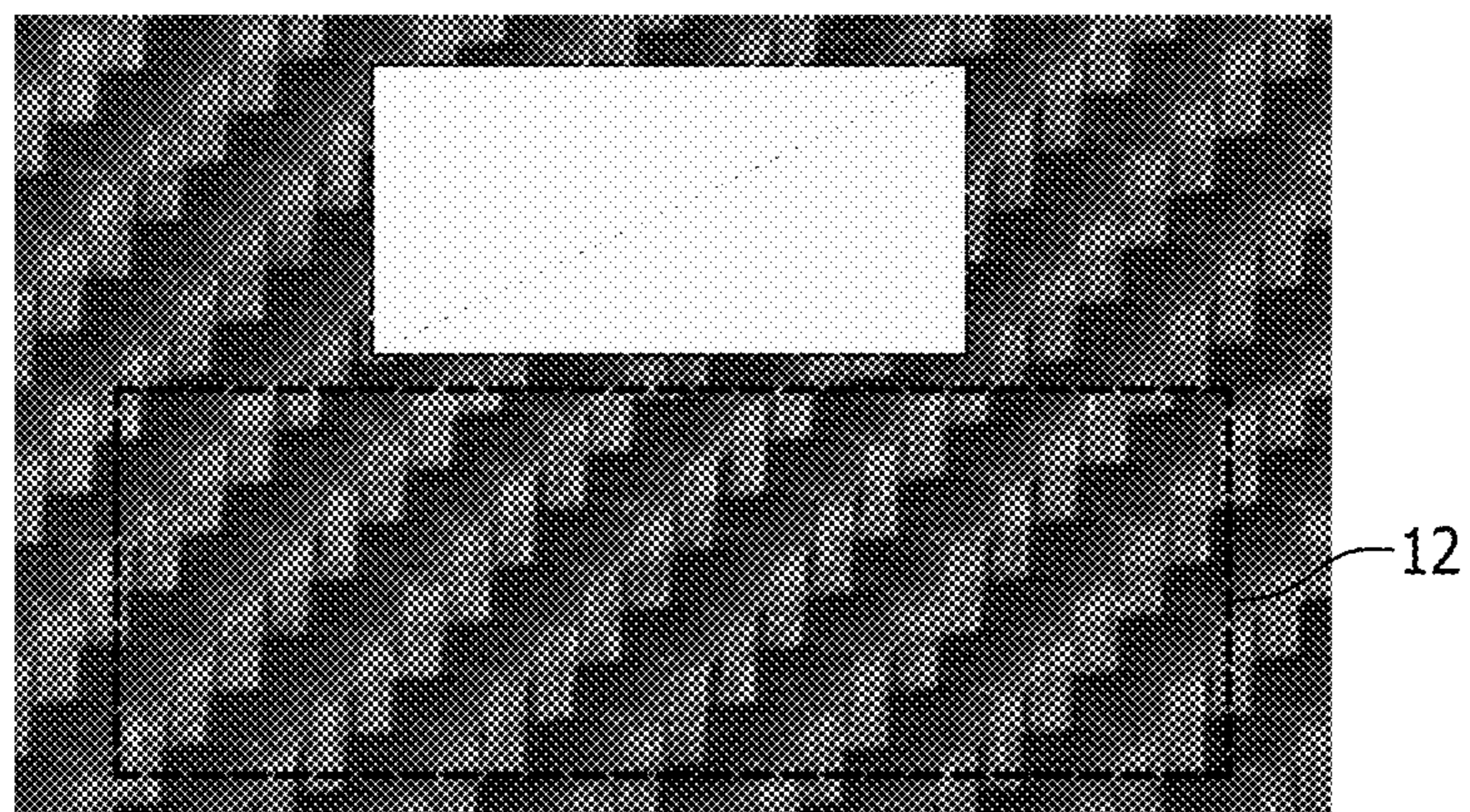


FIG. 11

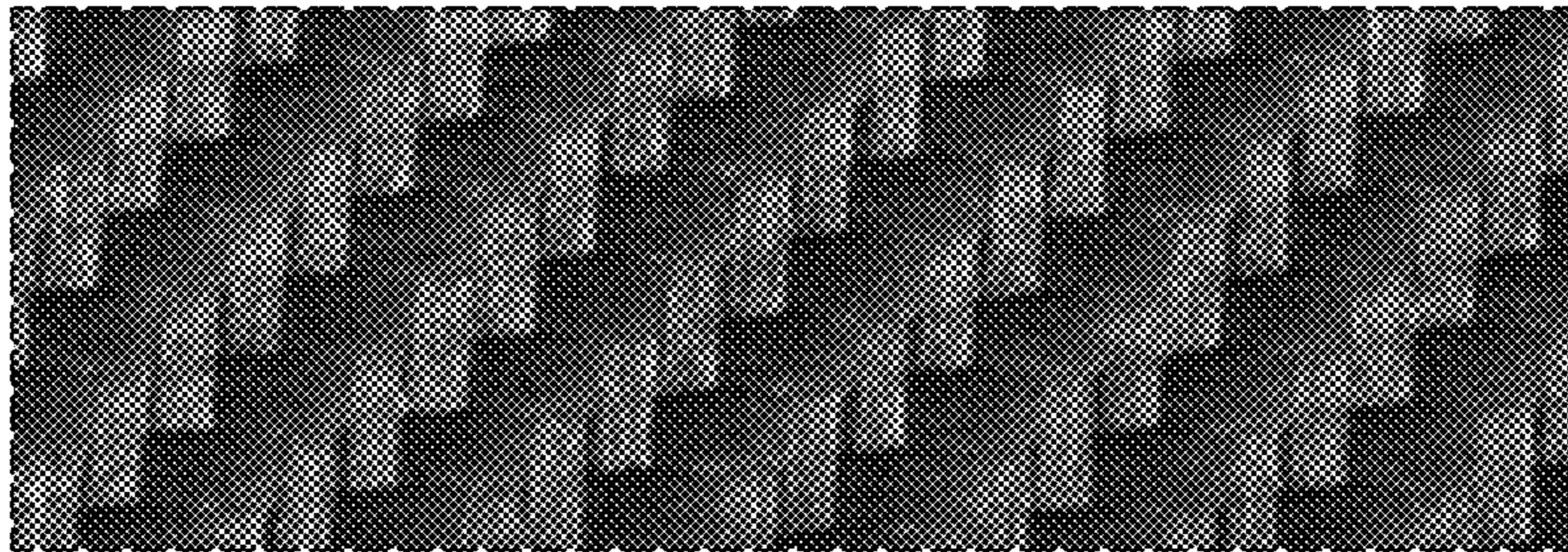


FIG. 12