



US00D809443S

(12) **United States Design Patent** (10) **Patent No.:** **US D809,443 S**
Walker et al. (45) **Date of Patent:** **** Feb. 6, 2018**

(54) **AUTOMOBILE INTERIOR**

(71) Applicants: **Robert Walker**, Bloomfield Hills, MI (US); **Winnie Cheung**, Clarkston, MI (US)

(72) Inventors: **Robert Walker**, Bloomfield Hills, MI (US); **Winnie Cheung**, Clarkston, MI (US)

(73) Assignee: **FCA US LLC**, Auburn Hills, MI (US)

(**) Term: **15 Years**

(21) Appl. No.: **29/597,861**

(22) Filed: **Mar. 21, 2017**

(51) **LOC (11) Cl.** **12-16**

(52) **U.S. Cl.**
USPC **D12/192**

(58) **Field of Classification Search**
USPC D12/192, 415, 110, 114; D15/17, 28;
D10/46, 98, 102-103, 122-127
CPC G08G 1/096883; G01C 21/16; G01C
21/3688; G01C 21/30
See application file for complete search history.

(56) **References Cited**

U.S. PATENT DOCUMENTS

D762,152 S * 7/2016 Inagaki D12/192
D763,154 S * 8/2016 Chang D12/192

D763,155 S * 8/2016 Sahs D12/192
D770,348 S * 11/2016 Shimizu D12/192
D770,953 S * 11/2016 Tanaka D12/192
D771,541 S * 11/2016 Shouno D12/192
D776,029 S * 1/2017 Callum D12/192
D778,796 S * 2/2017 Gommier D12/192
D780,649 S * 3/2017 Tanaka D12/192
D793,931 S * 8/2017 Lee D12/192
D795,145 S * 8/2017 Miyashita D12/192
D795,146 S * 8/2017 Ogawa D12/192

* cited by examiner

Primary Examiner — Katrina A Betton

(74) *Attorney, Agent, or Firm* — Ralph E. Smith

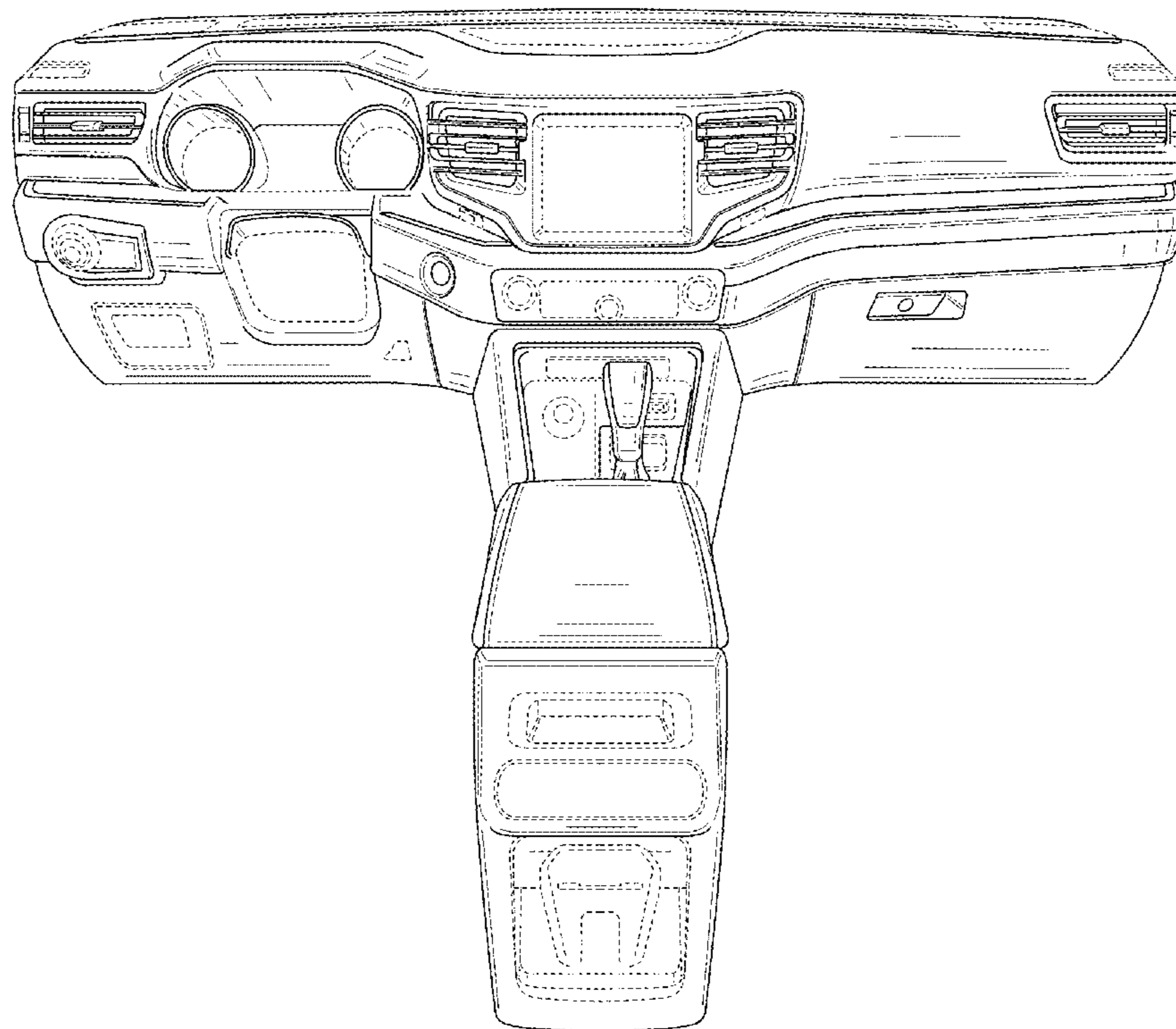
(57) **CLAIM**

The ornamental design for an automobile interior, as shown and described.

DESCRIPTION

FIG. 1 is a driver's side perspective view of an automobile interior showing our new design;
FIG. 2 is a front view thereof;
FIG. 3 is a passenger side perspective view thereof; and,
FIG. 4 is a top perspective view.
It will be understood that the broken lines shown in the drawings illustrate portions of the automobile interior that form no part of claimed design.

1 Claim, 4 Drawing Sheets



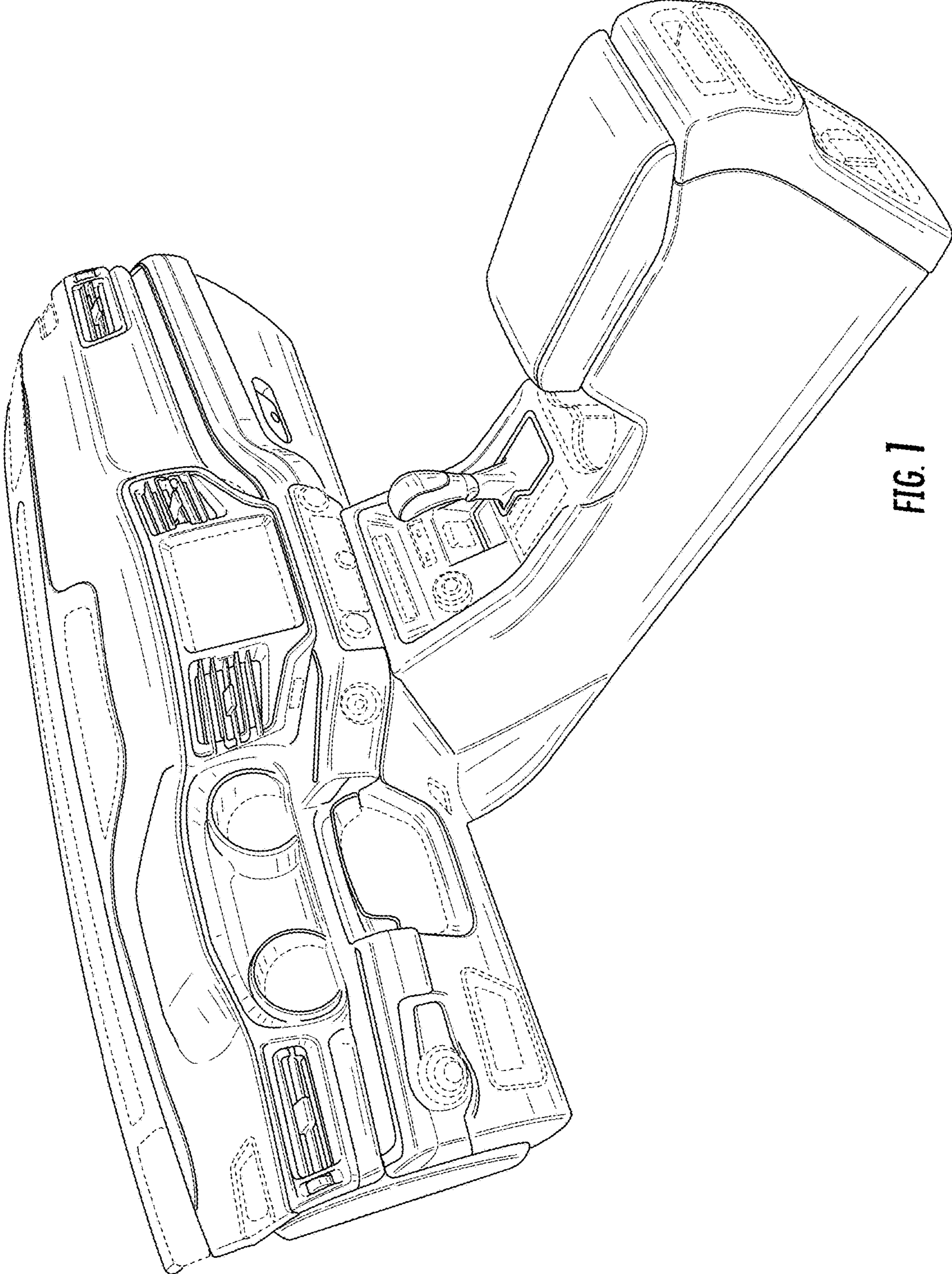


FIG. 1

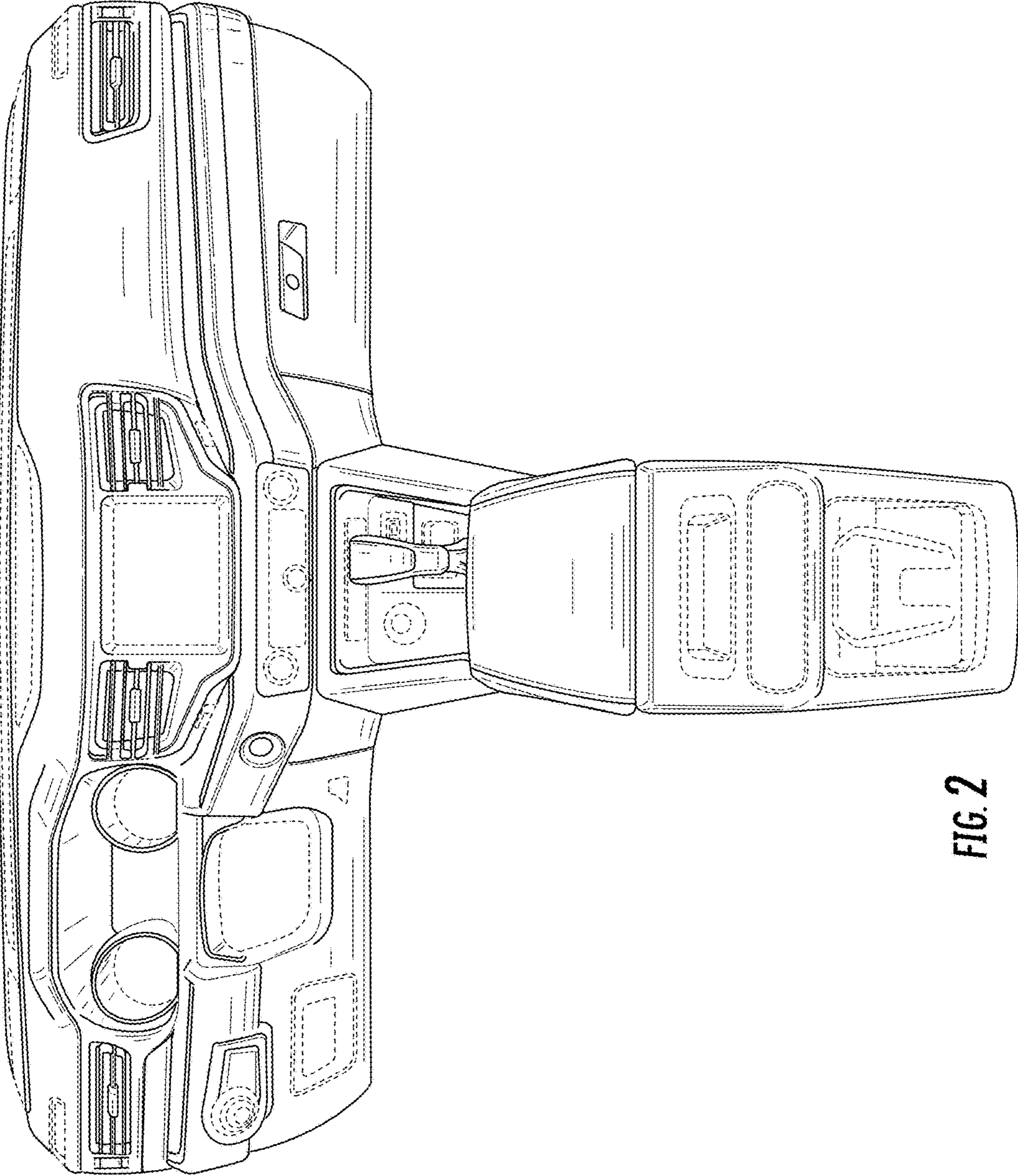


FIG. 2

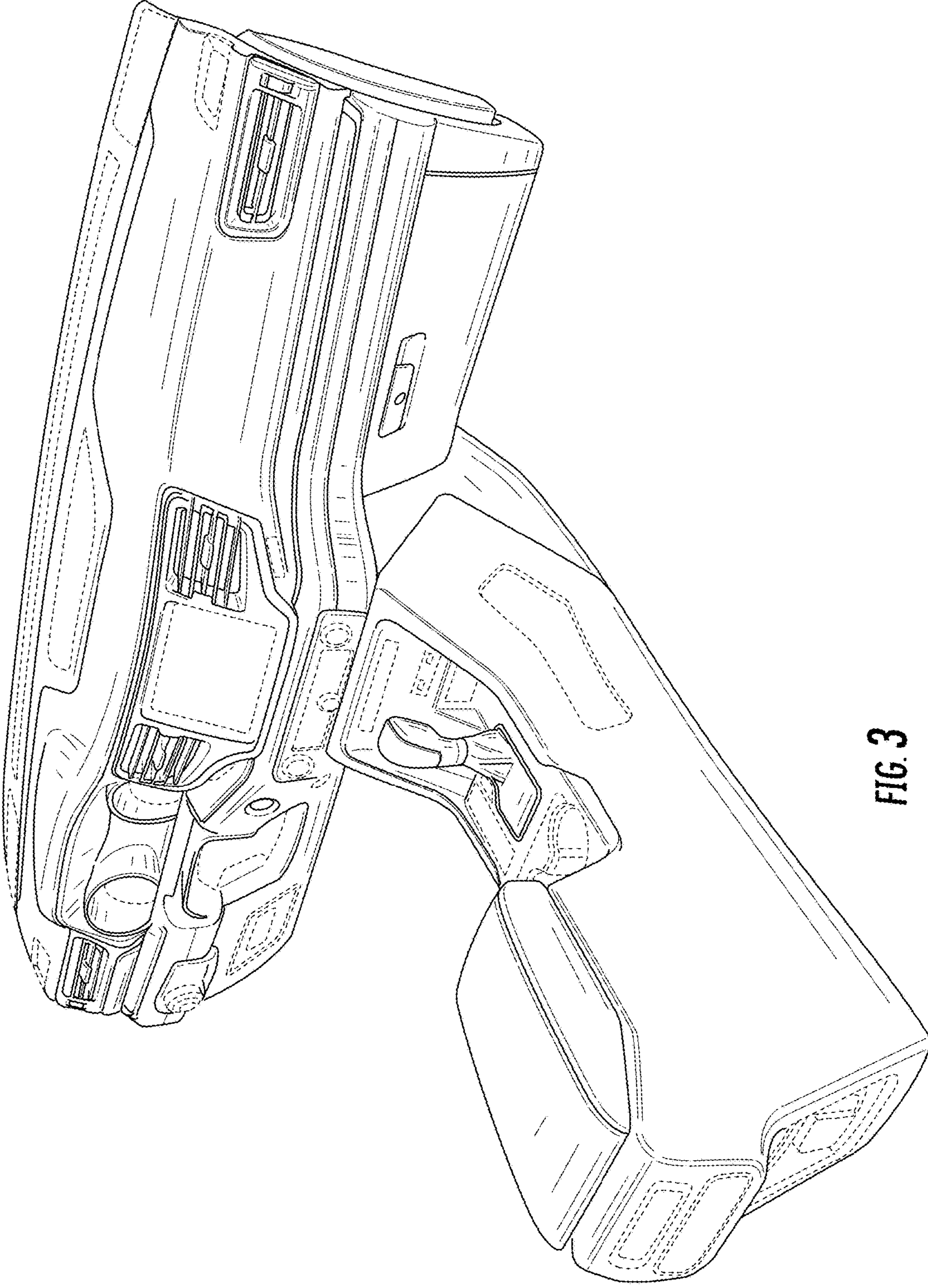


FIG. 3

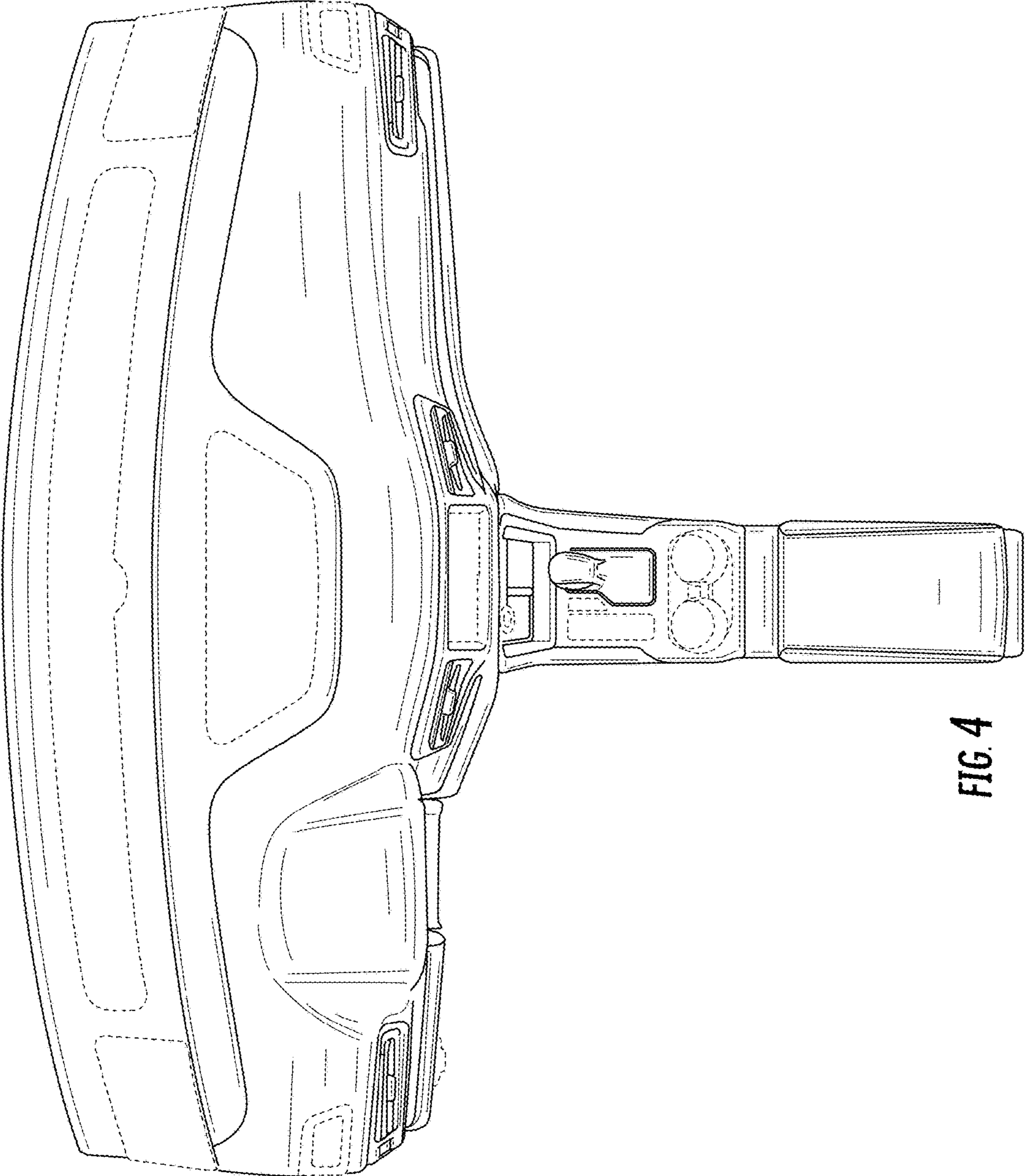


FIG. 4