



US00D809442S

(12) **United States Design Patent** (10) **Patent No.:** **US D809,442 S**
Zipfel et al. (45) **Date of Patent:** **** Feb. 6, 2018**

(54) **VEHICLE SIDE MIRROR**

(71) Applicant: **GM GLOBAL TECHNOLOGY OPERATIONS LLC**, Detroit, MI (US)

(72) Inventors: **Carl J. Zipfel**, Oxford, MI (US); **David Gillespie**, Huntington Woods, MI (US)

(73) Assignee: **GM Global Technology Operations LLC**, Detroit, MI (US)

(**) Term: **15 Years**

(21) Appl. No.: **29/575,907**

(22) Filed: **Aug. 30, 2016**

(51) **LOC (11) Cl.** **12-16**

(52) **U.S. Cl.**
 USPC **D12/187**

(58) **Field of Classification Search**
 USPC D12/187, 188, 189; D6/300, 309
 CPC B60R 1/076; B60R 1/074; B60R 1/078;
 B60R 1/08; B60R 1/081; B60R 1/082;
 G02B 7/182; G02B 7/18; G02B 5/08
 See application file for complete search history.

(56) **References Cited**

U.S. PATENT DOCUMENTS

D455,690 S * 4/2002 Lee D12/187
 D570,742 S 6/2008 Takagi et al.
 D592,105 S 5/2009 Dean et al.
 D597,447 S 8/2009 Folden
 D600,595 S 9/2009 Nakamura et al.
 D601,925 S 10/2009 O'Donnell
 D603,755 S 11/2009 Peters
 D604,203 S 11/2009 O'Donnell
 D605,082 S 12/2009 Munson
 D605,083 S 12/2009 Manoogian, II et al.
 D605,977 S 12/2009 Zipfel et al.
 D605,978 S 12/2009 Wolff et al.
 D608,249 S 1/2010 Peters

D608,690 S 1/2010 Folden et al.
 D608,691 S 1/2010 Zak, Jr. et al.
 D609,608 S 2/2010 Boniface et al.
 D611,387 S 3/2010 Thompson et al.
 D611,879 S 3/2010 Kim et al.
 D612,297 S 3/2010 Peters et al.
 D613,645 S 4/2010 Song et al.
 D615,458 S 5/2010 Thompson et al.
 D618,595 S 6/2010 Ware et al.
 D621,313 S * 8/2010 Kimura D12/187
 D623,090 S 9/2010 Cox et al.
 D627,262 S 11/2010 Ikeda et al.
 D635,488 S 4/2011 Phipps
 D644,147 S 8/2011 Suh et al.
 D644,567 S 9/2011 Kozub
 D657,718 S 4/2012 Zipfel et al.
 D659,052 S 5/2012 Ware et al.
 D659,053 S 5/2012 Ware et al.
 D668,182 S 10/2012 Franco et al.
 D668,183 S 10/2012 Smart
 D678,820 S 3/2013 Son et al.
 D678,821 S 3/2013 Ikeda et al.

(Continued)

Primary Examiner — Karen S Acker
Assistant Examiner — Jerry Shiuan-Hua Hsu
 (74) *Attorney, Agent, or Firm* — Reising Ethington P.C.

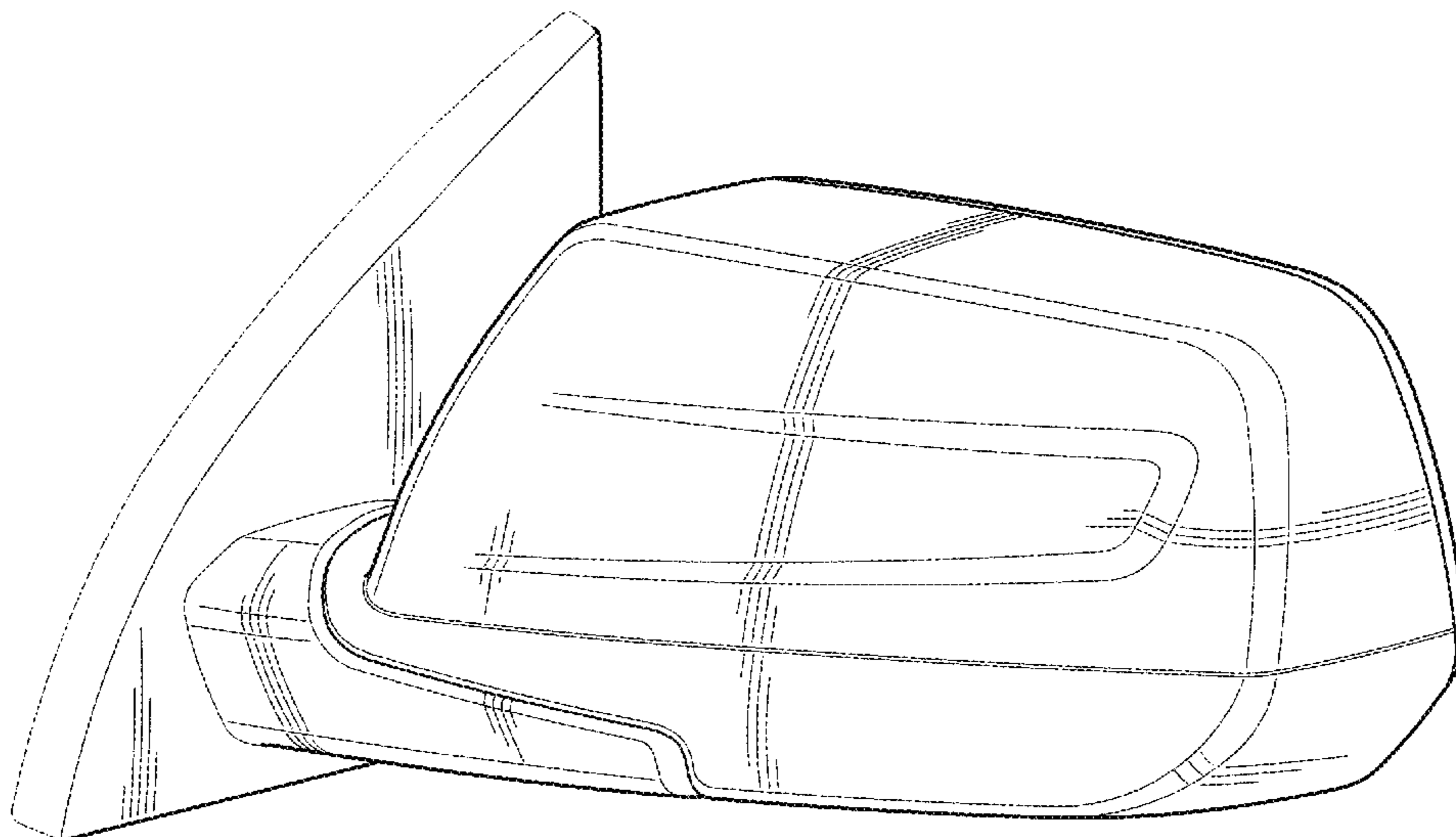
(57) **CLAIM**

The ornamental design for a vehicle side mirror, as shown and described.

DESCRIPTION

FIG. 1 is a perspective view of the vehicle side mirror; FIG. 2 is a front view thereof; FIG. 3 is a rear view thereof; FIG. 4 is a top view thereof; and, FIG. 5 is a bottom view thereof. The broken lines shown in the drawings depict portions of the vehicle side mirror that form no part of the claimed design.

1 Claim, 4 Drawing Sheets



(56)

References Cited

U.S. PATENT DOCUMENTS

D680,909 S	4/2013	Munson et al.		D733,002 S	6/2015	Loeb	
D680,910 S	4/2013	David		D735,611 S	8/2015	Aengenheyster	
D684,899 S	6/2013	Baker		D735,627 S	8/2015	Smith	
D686,536 S	7/2013	McCabe et al.		D736,451 S	8/2015	Smith	
D690,637 S	* 10/2013	O'Donnell	D12/187	D739,306 S	9/2015	McMahan et al.	
D691,076 S	* 10/2013	Vincent	D12/187	D739,317 S	9/2015	McMahan et al.	
D691,934 S	* 10/2013	Zhao	D12/187	D741,223 S	10/2015	Kim et al.	
D692,798 S	11/2013	Thurber		D743,309 S	11/2015	Thole et al.	
D692,799 S	11/2013	Smith et al.		D743,313 S	11/2015	Smith et al.	
D696,157 S	12/2013	Loeb		D743,314 S	11/2015	Thole et al.	
D699,629 S	2/2014	Ikeda et al.		D743,857 S	11/2015	McMahan et al.	
D700,871 S	3/2014	O'Donnell et al.		D744,158 S	11/2015	Willett et al.	
D703,103 S	4/2014	Lee		D745,086 S	12/2015	Finos et al.	
D703,120 S	* 4/2014	Nordmann	D12/187	D745,719 S	12/2015	Boniface et al.	
D704,103 S	5/2014	Mack et al.		D745,725 S	12/2015	McMahan et al.	
D705,132 S	5/2014	Ware et al.		D745,726 S	12/2015	McMahan et al.	
D705,699 S	5/2014	Ware et al.		D745,837 S	12/2015	Smith et al.	
D708,560 S	* 7/2014	George	D12/187	D746,726 S	1/2016	Smith et al.	
D709,416 S	* 7/2014	Mays	D12/187	D746,727 S	1/2016	Smith et al.	
D709,812 S	* 7/2014	George	D12/187	D746,728 S	1/2016	Smith et al.	
D713,298 S	9/2014	Dyson		D746,729 S	1/2016	Boniface et al.	
D713,764 S	9/2014	Ferlazzo et al.		D746,730 S	1/2016	Kim et al.	
D713,769 S	* 9/2014	Knothe	D12/187	D747,514 S	1/2016	McMahan et al.	
D716,206 S	* 10/2014	Thole	D12/187	D747,515 S	1/2016	McMahan et al.	
D716,696 S	11/2014	Thole et al.		D747,819 S	1/2016	Thole et al.	
D716,706 S	11/2014	Thole et al.		D749,021 S	2/2016	Boniface et al.	
D716,709 S	11/2014	Thole et al.		D749,026 S	2/2016	Smith et al.	
D717,696 S	11/2014	Thole et al.		D749,027 S	2/2016	McMahan et al.	
D718,189 S	11/2014	Krieg et al.		D749,246 S	2/2016	Thole et al.	
D718,197 S	* 11/2014	Chen	D12/187	D749,249 S	2/2016	Thole et al.	
D718,683 S	12/2014	Thole et al.		D749,250 S	2/2016	Thole et al.	
D722,282 S	2/2015	Loeb		D749,985 S	2/2016	Kozub et al.	
D722,533 S	2/2015	Thole et al.		D749,997 S	2/2016	McMahan et al.	
D722,534 S	2/2015	Munson et al.		D750,001 S	2/2016	Thole et al.	
D724,510 S	3/2015	McMahan et al.		D753,032 S	4/2016	Smith et al.	
D725,001 S	3/2015	McMahan et al.		D753,033 S	4/2016	Thole et al.	
D726,591 S	4/2015	Jacob		D753,034 S	4/2016	Thole et al.	
D730,776 S	6/2015	Smart		D753,035 S	4/2016	Boniface et al.	
D730,783 S	6/2015	Henriques et al.		D753,559 S	4/2016	McMahan et al.	
D732,427 S	6/2015	Loeb		D753,560 S	4/2016	McMahan et al.	
D732,429 S	6/2015	Loeb		D753,567 S	4/2016	Boniface et al.	
D732,430 S	6/2015	Loeb		D754,571 S	4/2016	Boniface et al.	
D732,431 S	6/2015	Loeb		D754,572 S	4/2016	McMahan et al.	
D732,432 S	6/2015	Aengenheyster		D755,088 S	5/2016	McMahan et al.	
D732,433 S	6/2015	Aengenheyster		D756,869 S	5/2016	McMahan et al.	
D732,435 S	6/2015	Mackay		D758,271 S	6/2016	McMahan et al.	
				D785,524 S	* 5/2017	Kim	D12/187

* cited by examiner

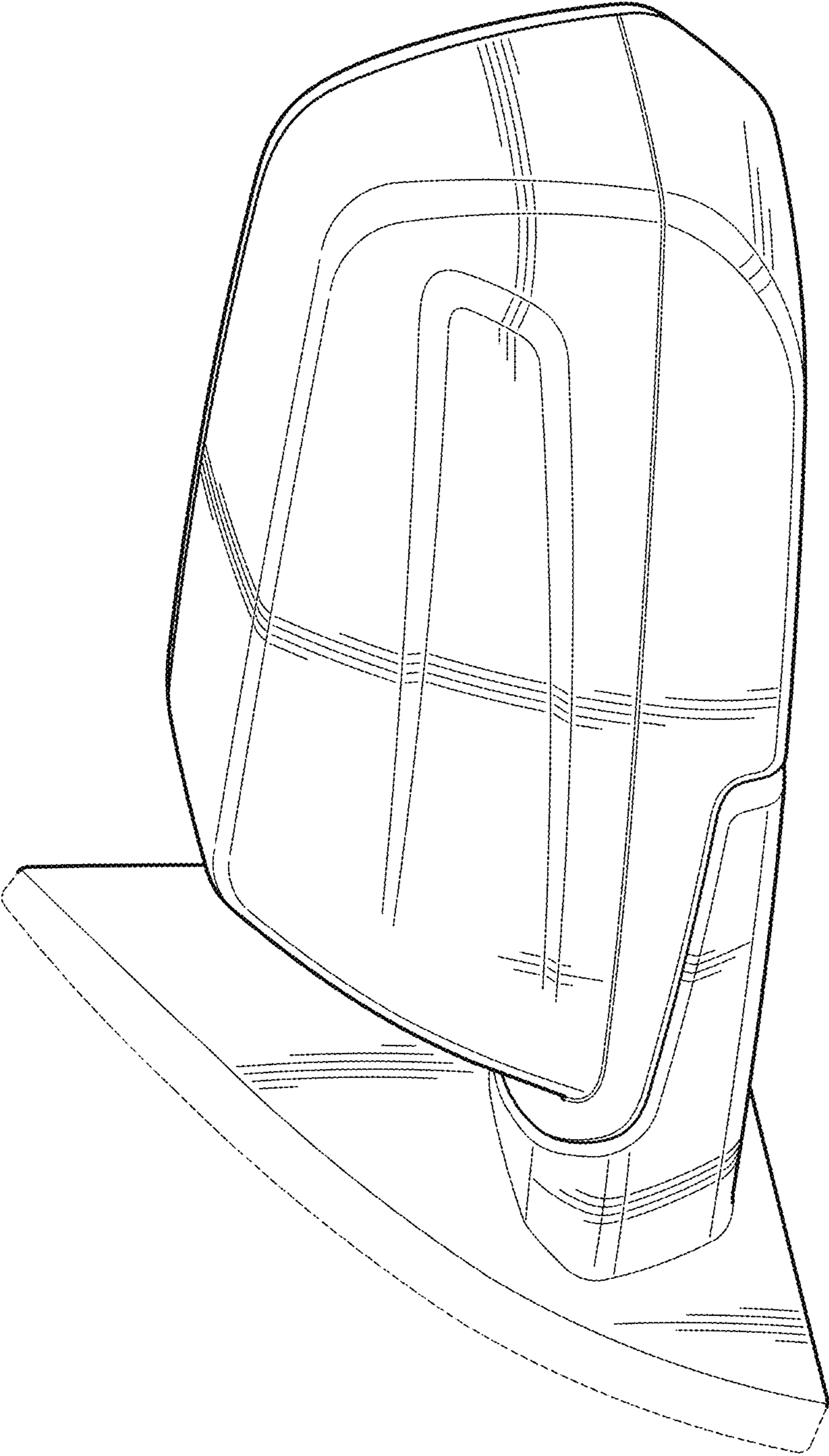


FIG. 1

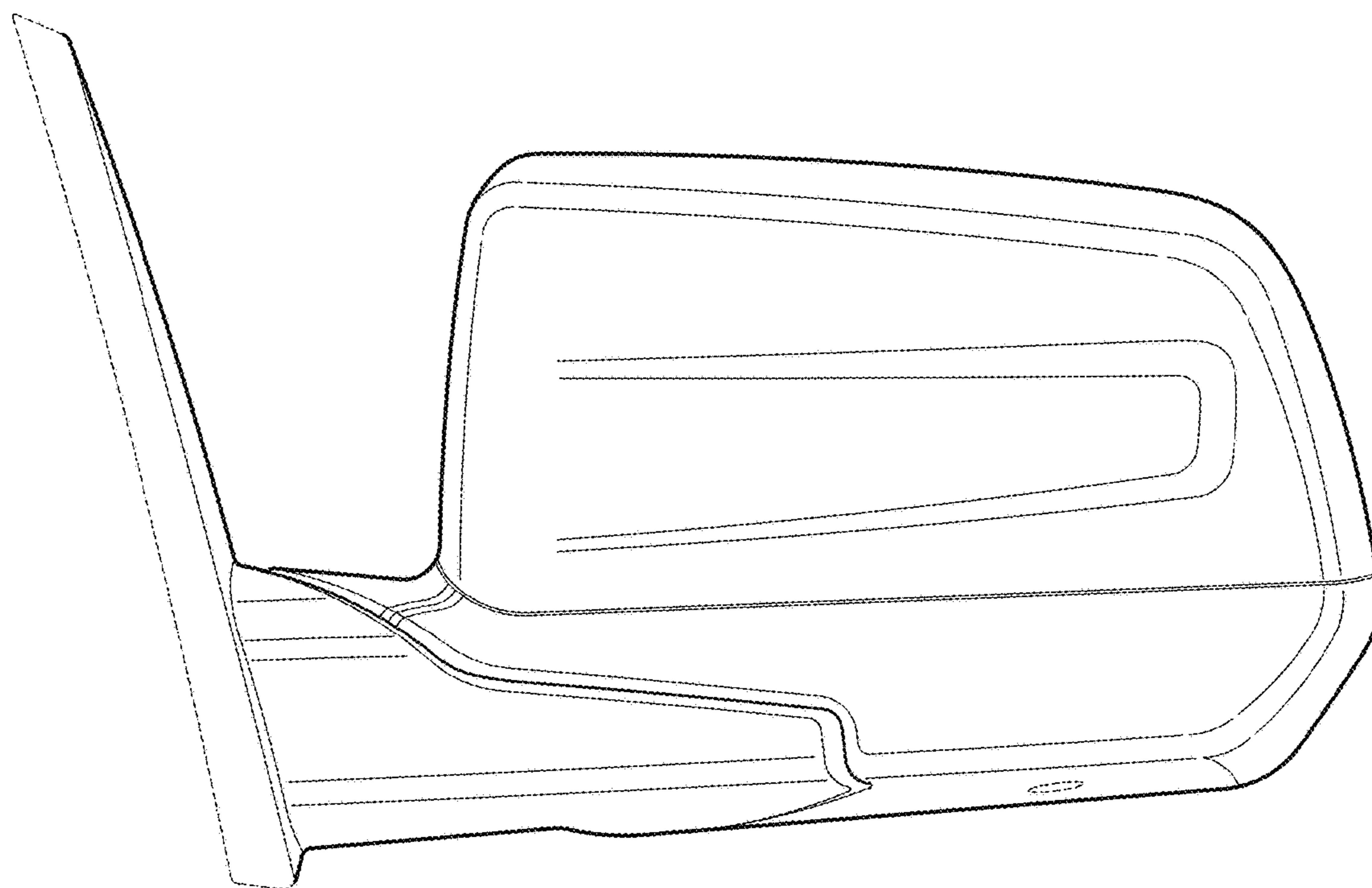


FIG. 2

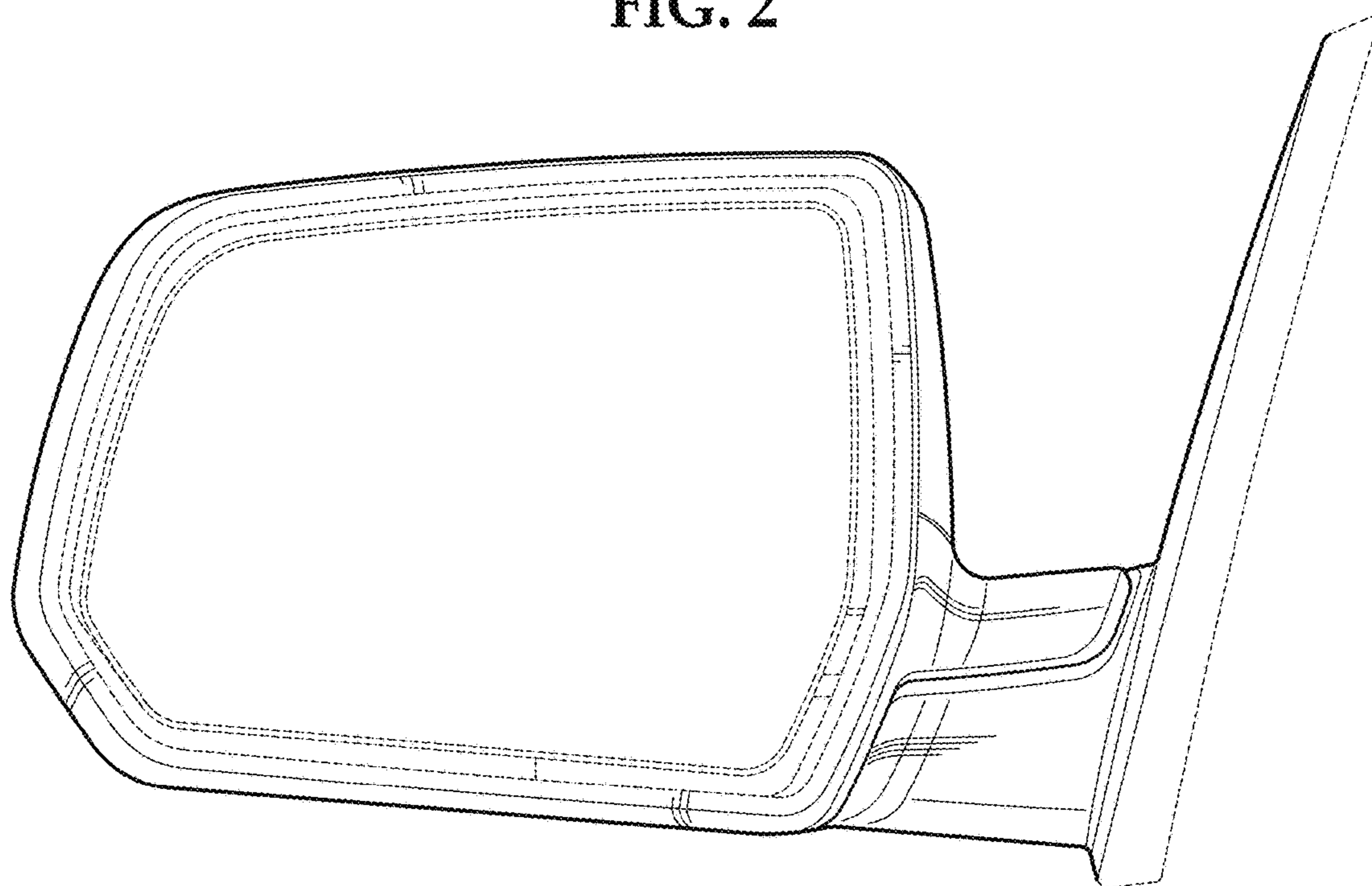


FIG. 3

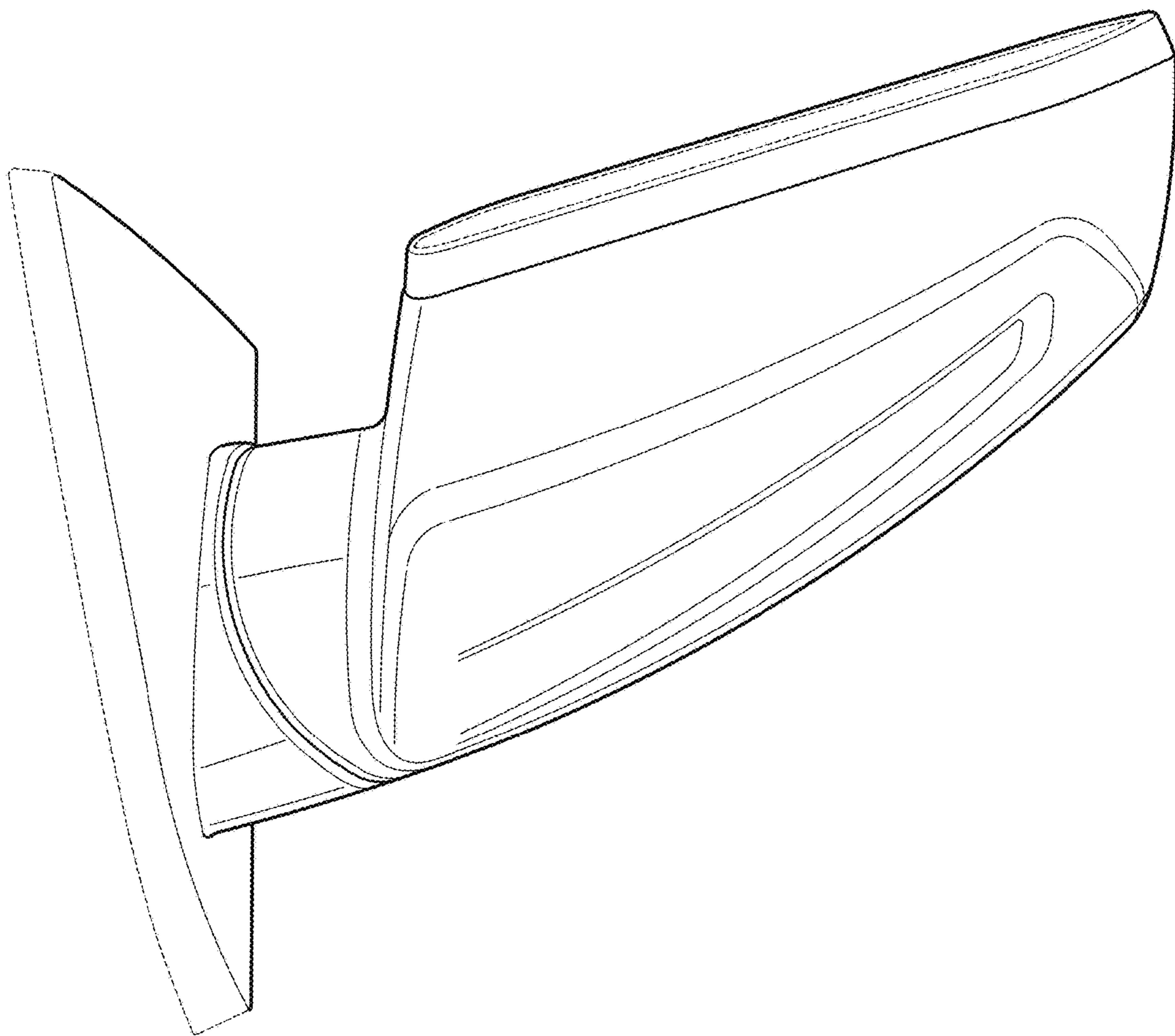


FIG. 4

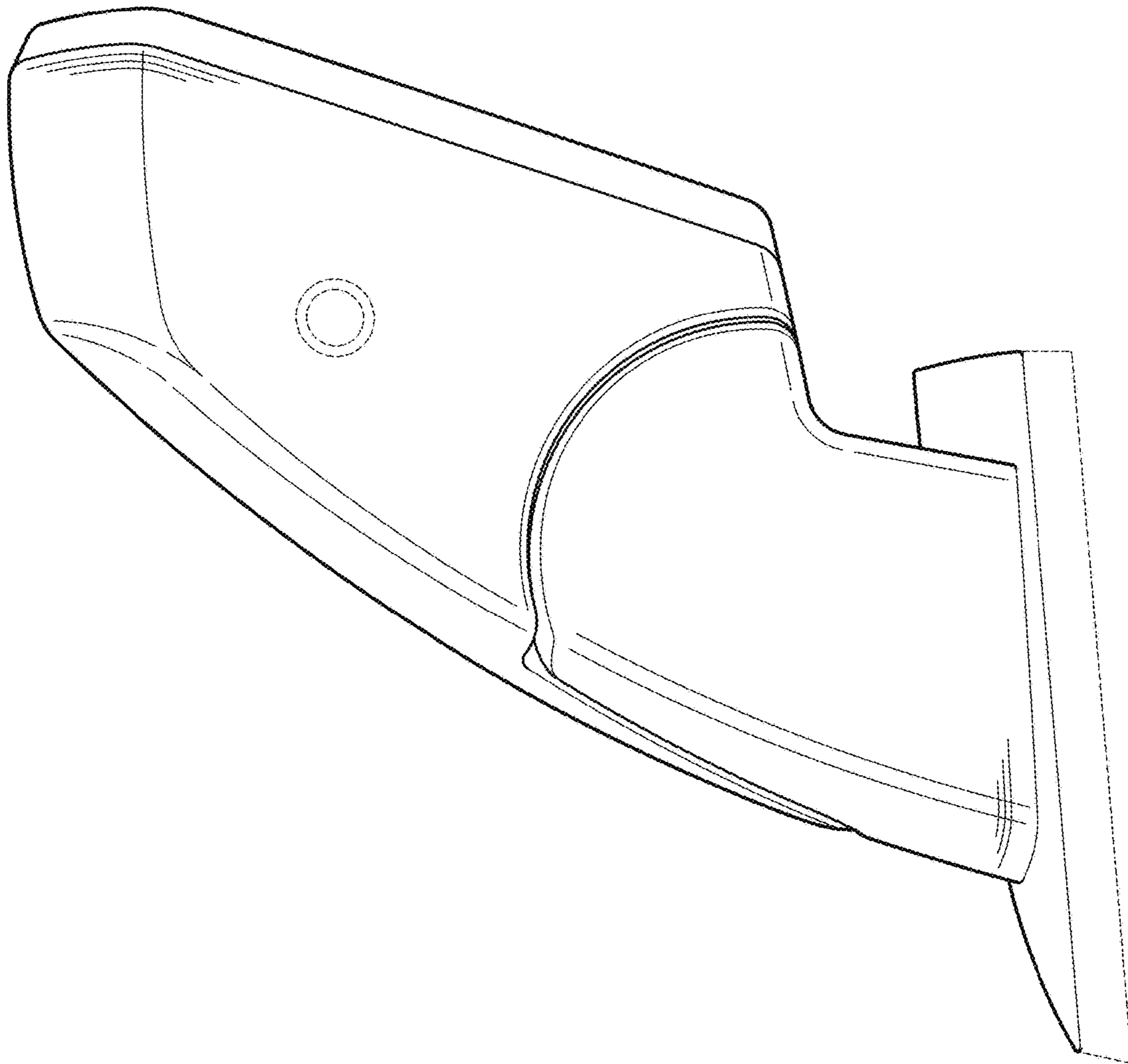


FIG. 5