



US00D809441S

(12) **United States Design Patent**
Simmons

(10) **Patent No.:** **US D809,441 S**

(45) **Date of Patent:** **** Feb. 6, 2018**

(54) **STEERING WHEEL COVER**

(71) Applicant: **Auto-Grip LLC**, Commerce City, CO (US)

(72) Inventor: **Grant M. Simmons**, Commerce City, CO (US)

(73) Assignee: **AUTO-GRIP LLC**, Commerce City, CO (US)

(**) Term: **15 Years**

(21) Appl. No.: **29/528,846**

(22) Filed: **Jun. 1, 2015**

(51) **LOC (11) Cl.** **12-16**

(52) **U.S. Cl.**
USPC **D12/177**

(58) **Field of Classification Search**
USPC D12/175, 176, 177; 340/475, 476, 477;
219/202, 204; 180/272; 74/552, 558
CPC . B62D 1/06; B62D 1/065; B60N 2/60; B61D
1/08
See application file for complete search history.

(56) **References Cited**

U.S. PATENT DOCUMENTS

1,190,781 A	7/1916	Maher	
1,472,689 A	10/1923	Skiles	
4,105,200 A	8/1978	Unger	
4,441,382 A	4/1984	Snooks	
4,579,775 A	4/1986	Ohta et al.	
5,005,824 A	4/1991	Eichel	
5,190,504 A	3/1993	Scatterday	
5,207,713 A	5/1993	Park	
D395,629 S *	6/1998	Moore, Jr.	D12/177
D429,671 S *	8/2000	Stevens	D12/177
D436,068 S *	1/2001	Stevens	D12/176
D437,272 S *	2/2001	Lin	D12/177
6,413,455 B1	7/2002	Yates	

D506,957 S *	7/2005	Huang	D12/177
D507,771 S *	7/2005	Wang	D12/177
D517,964 S *	3/2006	Huang	D12/177

(Continued)

Primary Examiner — Derrick Holland

Assistant Examiner — Yolanda Robinson

(74) *Attorney, Agent, or Firm* — Dorsey & Whitney LLP

(57) **CLAIM**

I claim the ornamental design for a steering wheel cover, as shown and described.

DESCRIPTION

FIG. 1 is a top front isometric view of a steering wheel cover in accordance with a first embodiment of the present design. FIG. 2 is a front elevation view of the steering wheel cover of FIG. 1. The rear elevation view is a mirror image of the front elevation view.

FIG. 3 is a left side elevation view of the steering wheel cover of FIG. 1. The right side elevation view is a mirror image of the left side elevation view.

FIG. 4 is a top plan view of the steering wheel cover of FIG. 1. The bottom plan view is a mirror image of the top plan view.

FIG. 5 is a top front isometric view of a steering wheel cover in accordance with a second embodiment of the present design.

FIG. 6 is a front elevation view of the steering wheel cover of FIG. 5. The rear elevation view is a mirror image of the front elevation view.

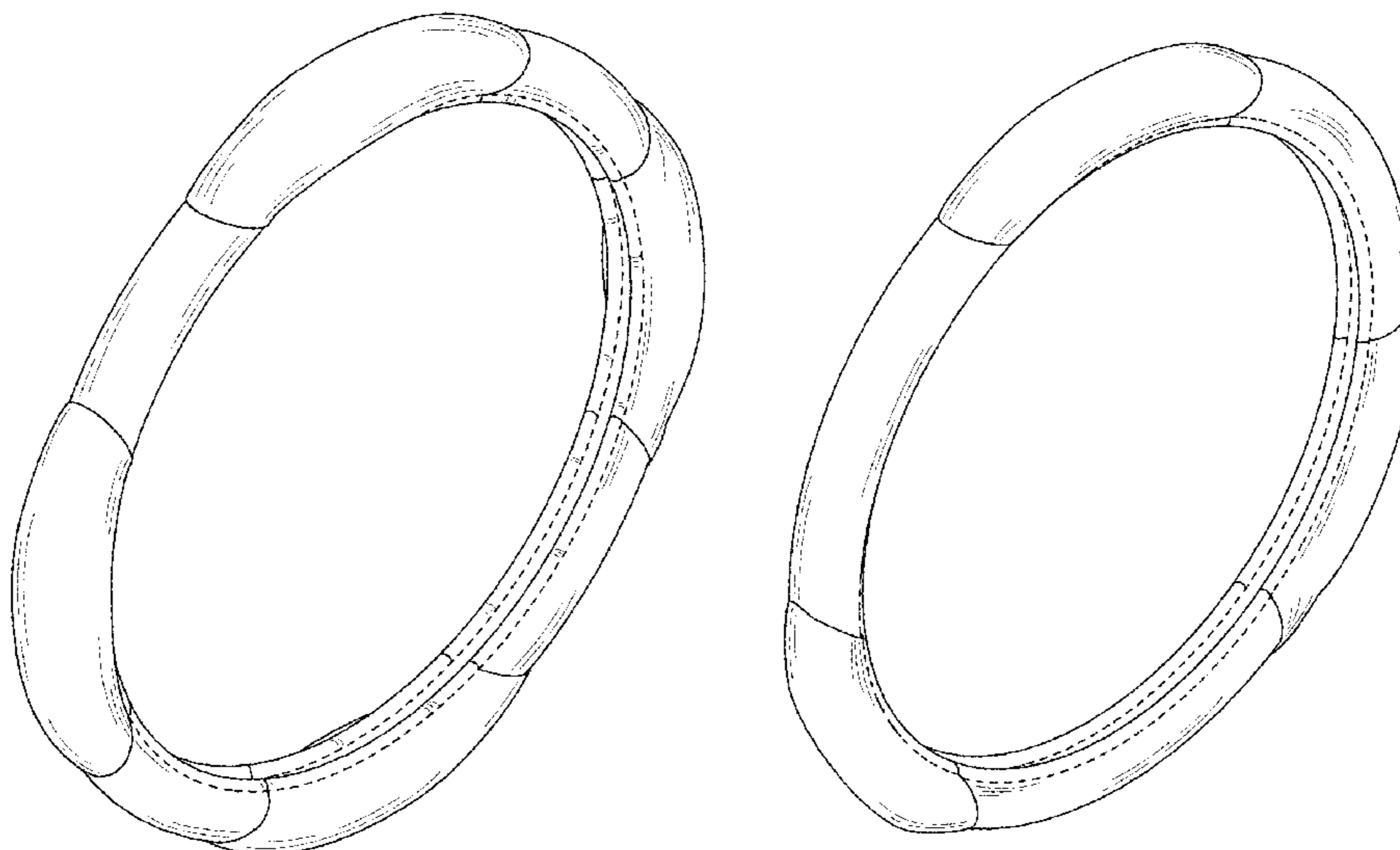
FIG. 7 is a left side elevation view of the steering wheel cover of FIG. 5. The right side elevation view is a mirror image of the left side elevation view.

FIG. 8 is a top plan view of the steering wheel cover of FIG. 5; and,

FIG. 9 is bottom plan view of the steering wheel cover of FIG. 5.

The broken lines illustrate stitch lines of the steering wheel cover that form no part of the claimed design.

1 Claim, 7 Drawing Sheets



US D809,441 S

Page 2

(56)

References Cited

U.S. PATENT DOCUMENTS

7,661,748 B2 *	2/2010	Abraham	B60N 2/60 296/97.23
8,101,887 B2 *	1/2012	Pate	B60L 1/02 219/202
8,564,424 B2 *	10/2013	Evarts	B60Q 9/00 340/426.24
D701,153 S *	3/2014	Shen	D12/177
D710,272 S *	8/2014	Shen	D12/177
9,180,812 B2 *	11/2015	Colvin, Sr.	B60Q 5/005
D744,392 S *	12/2015	Pittman	D12/177
2004/0050205 A1	3/2004	Putnam		
2009/0007721 A1 *	1/2009	Cortina	B62D 1/06 74/558
2009/0096261 A1 *	4/2009	Abraham	B60N 2/60 297/228.1
2009/0314128 A1 *	12/2009	Rick	B62D 1/065 74/558
2010/0107806 A1 *	5/2010	Corinaldi	B60Q 3/024 74/552
2010/0139449 A1 *	6/2010	Garcia-Mejia	B27D 1/08 74/558
2010/0193495 A1 *	8/2010	Pate	B62D 1/065 219/204
2011/0133919 A1 *	6/2011	Evarts	B60Q 9/00 340/439
2011/0245643 A1 *	10/2011	Lisseman	A61B 5/01 600/372
2014/0053679 A1 *	2/2014	He	B62D 1/06 74/558
2015/0217687 A1 *	8/2015	Colvin, Sr.	B60Q 5/005 180/272
2015/0217794 A1 *	8/2015	Kong	B62D 1/06 74/558
2015/0239487 A1 *	8/2015	Huang	B62D 1/06 74/558

* cited by examiner

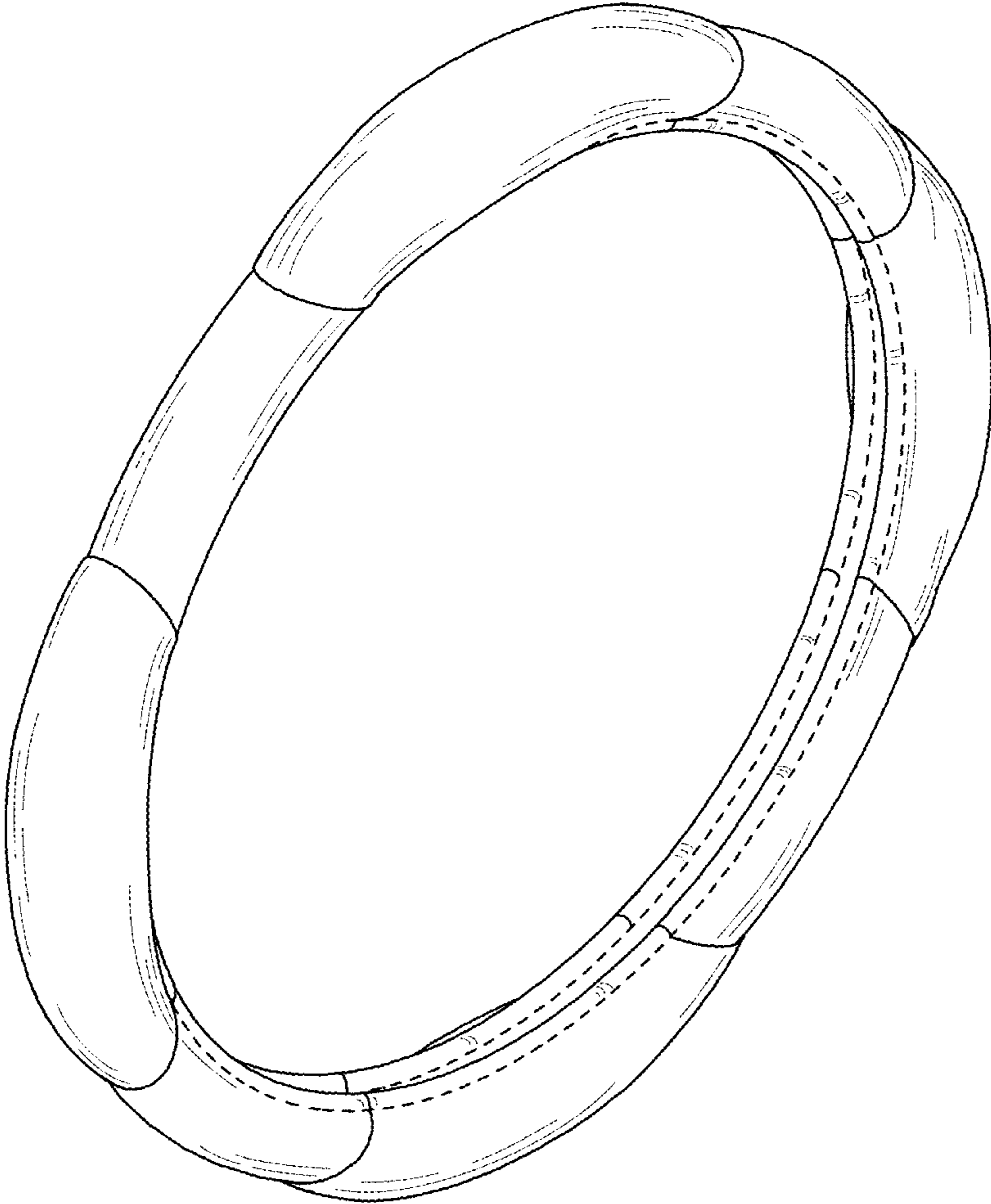


FIG. 1

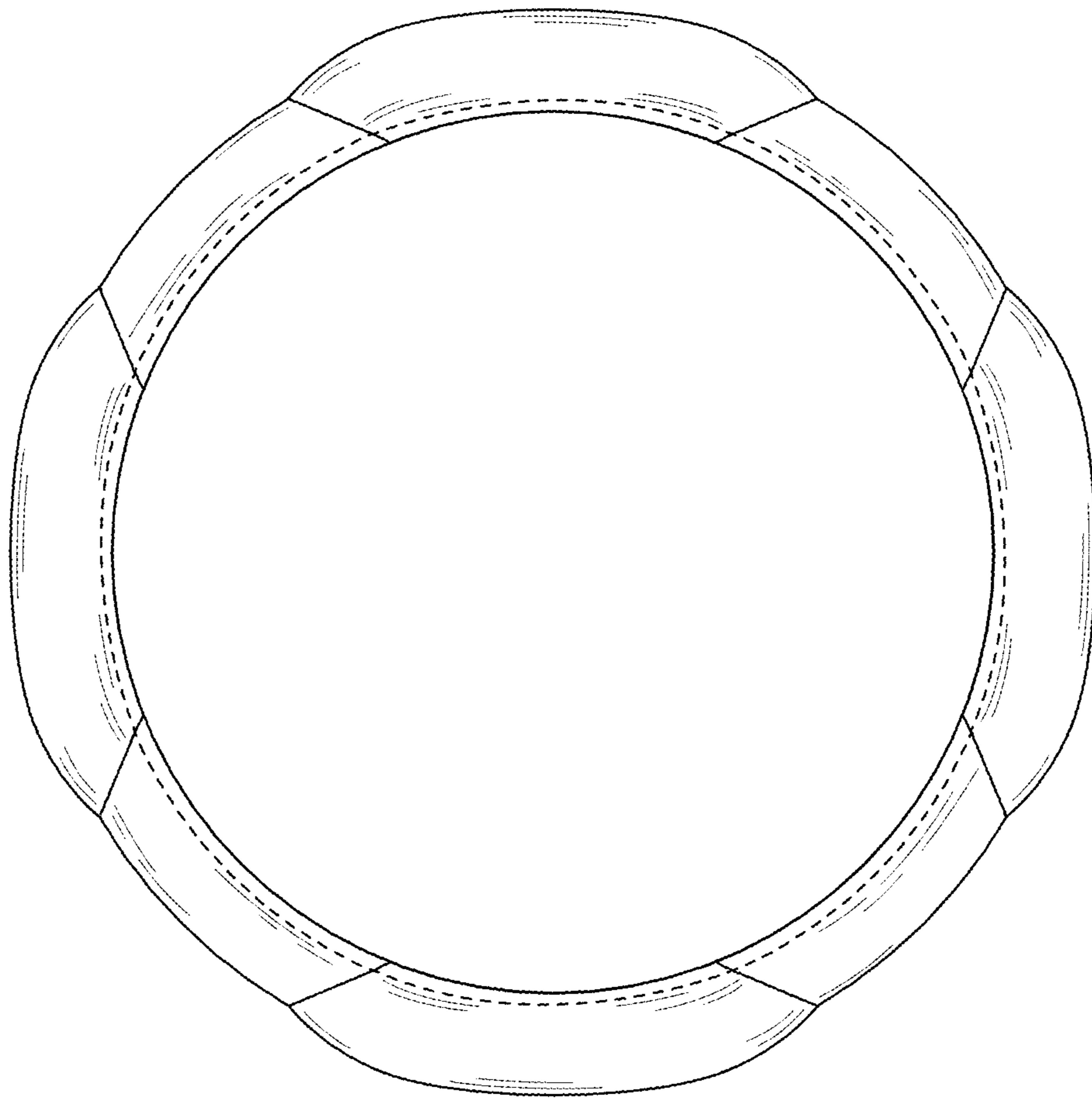


FIG. 2

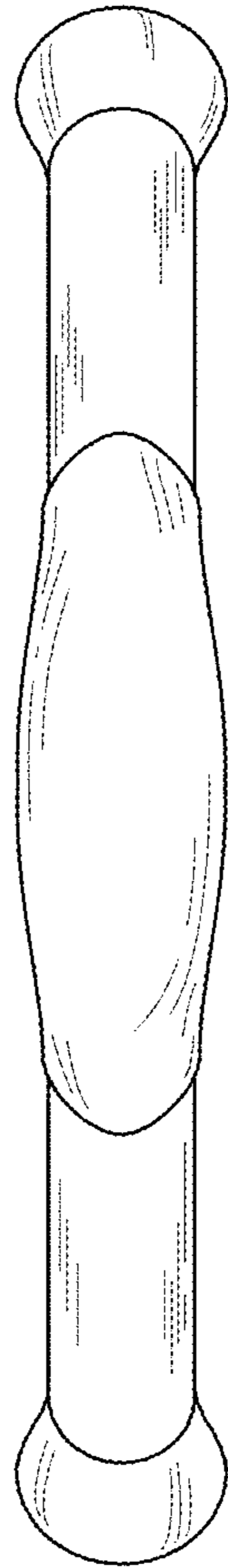


FIG. 3

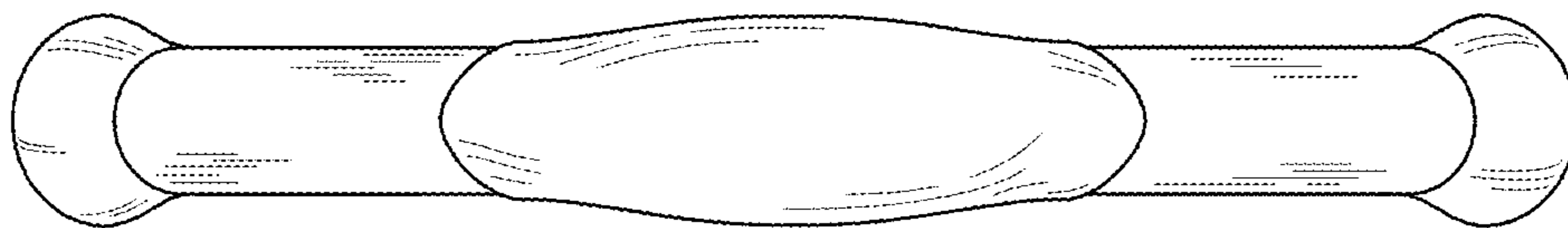


FIG. 4

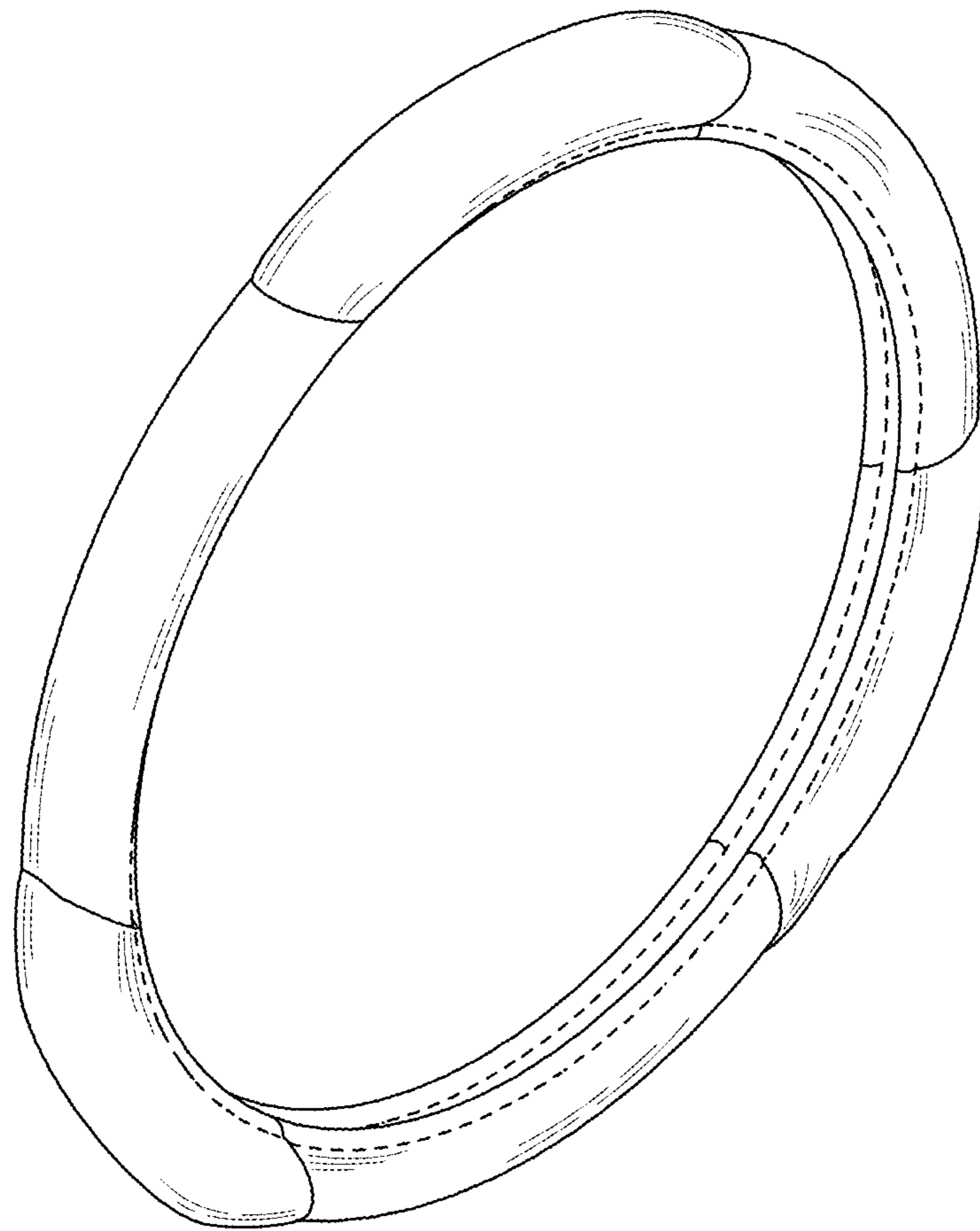


FIG. 5

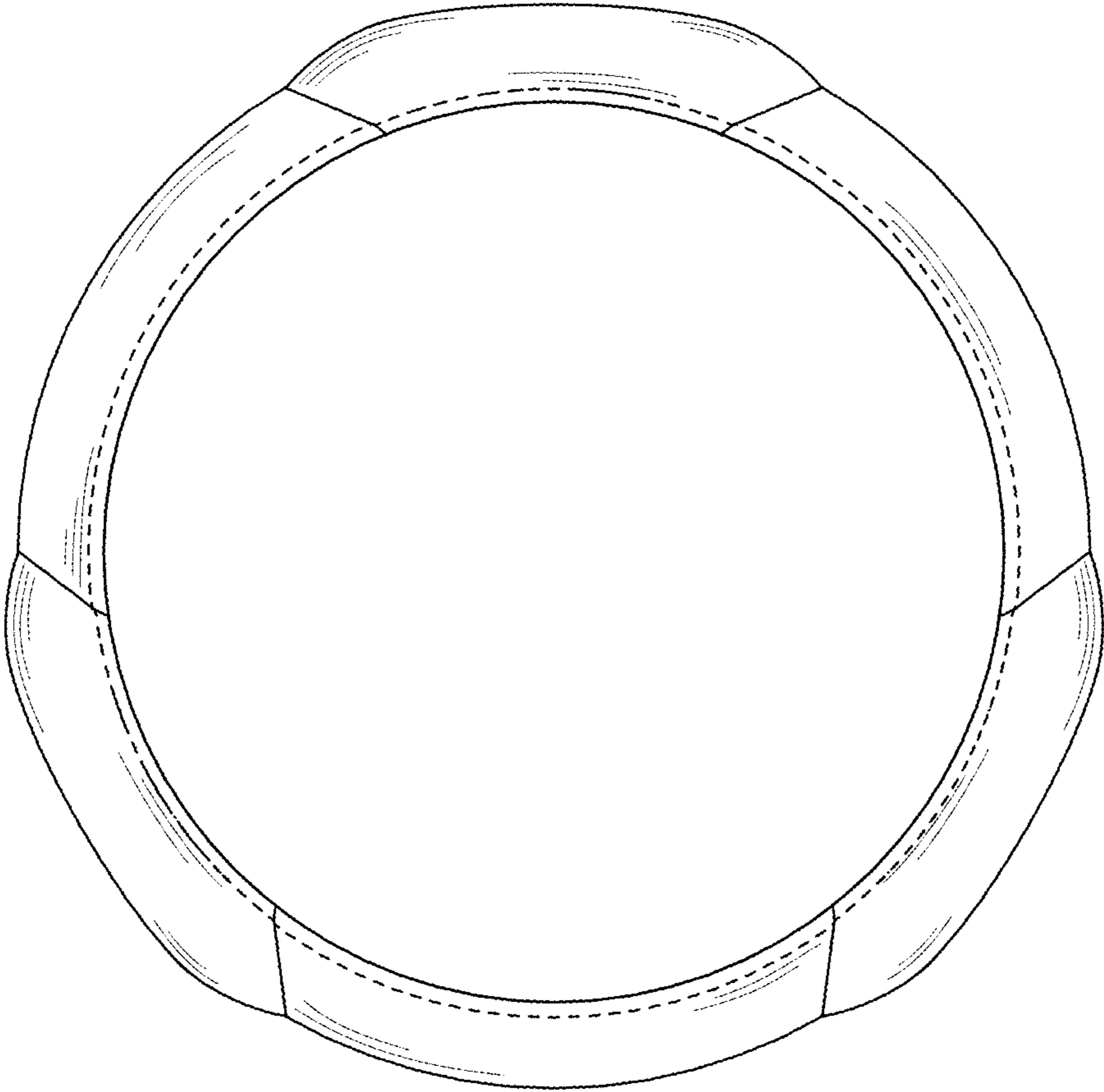


FIG. 6

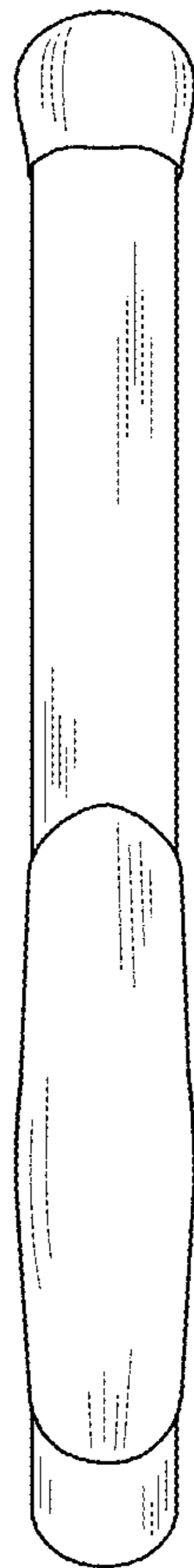


FIG. 7

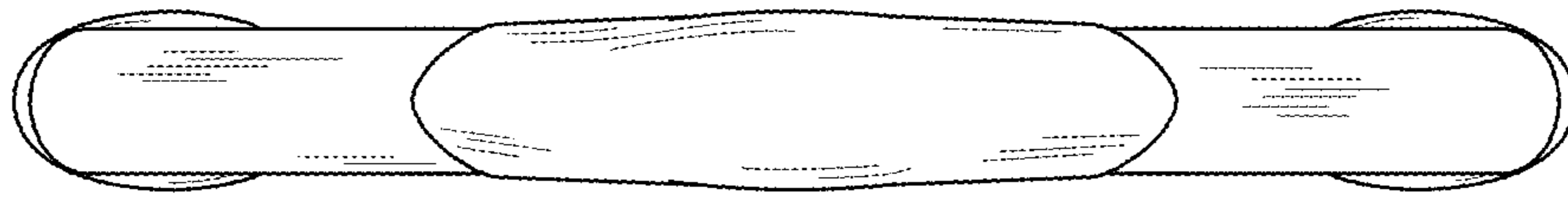


FIG. 8

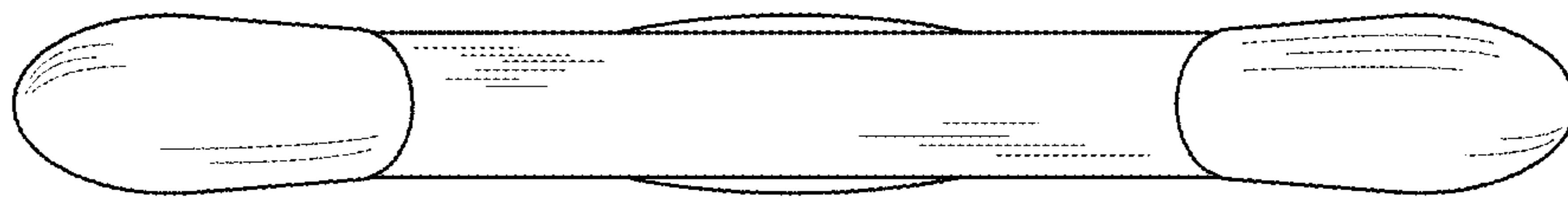


FIG. 9