



US00D809439S

(12) **United States Design Patent**  
**Ito et al.**

(10) **Patent No.:** **US D809,439 S**  
(45) **Date of Patent:** **\*\* Feb. 6, 2018**

(54) **BUMPER FOR A TRUCK VEHICLE**  
(71) Applicant: **International Truck Intellectual Property Company, LLC**, Lisle, IL (US)  
(72) Inventors: **Chris Isamu Ito**, Sugar Grove, IL (US); **Glen Joel Durmisevich**, Rochester Hills, MI (US); **William D. Miller**, Macomb Township, MI (US); **David James Olsen**, Aurora, IL (US); **James L. Smith, Jr.**, Batavia, IL (US); **James C. Box**, Leesburg, FL (US); **Curtis L. Wilson**, Melbourne Beach, FL (US)

D458,565 S 6/2002 Maher et al.  
D521,912 S 5/2006 Beigel et al.  
D537,389 S 2/2007 Beigel et al.  
D540,224 S 4/2007 Gregory et al.  
D556,649 S 12/2007 Beigel et al.  
D612,778 S 3/2010 Beigel et al.  
D634,246 S 3/2011 Aris et al.  
D645,799 S 9/2011 Beigel et al.  
D647,012 S 10/2011 Beigel et al.  
D679,226 S \* 4/2013 Schmeckpeper ..... D12/169  
D708,996 S 7/2014 Ito et al.  
D737,739 S \* 9/2015 Hanson et al. .... D12/169  
D786,749 S \* 5/2017 Oohashi et al. .... D12/169  
D798,204 S \* 9/2017 Mainville ..... D12/169  
D798,780 S \* 10/2017 Villamizar ..... D12/91

\* cited by examiner

(73) Assignee: **International Truck Intellectual Property Company, LLC**, Lisle, IL (US)

*Primary Examiner* — Melody N Brown  
(74) *Attorney, Agent, or Firm* — Jeffrey P. Calfa; Mark C. Bach

(\*\*) Term: **15 Years**

(21) Appl. No.: **29/567,965**

(57) **CLAIM**

(22) Filed: **Jun. 14, 2016**

The ornamental design for a bumper for a truck vehicle, as shown and described.

(51) **LOC (11) Cl.** ..... **12-16**

(52) **U.S. Cl.**  
USPC ..... **D12/169**

(58) **Field of Classification Search**  
USPC .... D12/169, 216, 90-92, 86, 171, 196, 163;  
293/102, 113, 115, 117, 120; 296/180.1,  
296/180.2  
CPC ..... B60R 19/02; B60R 19/04; B62D 25/08  
See application file for complete search history.

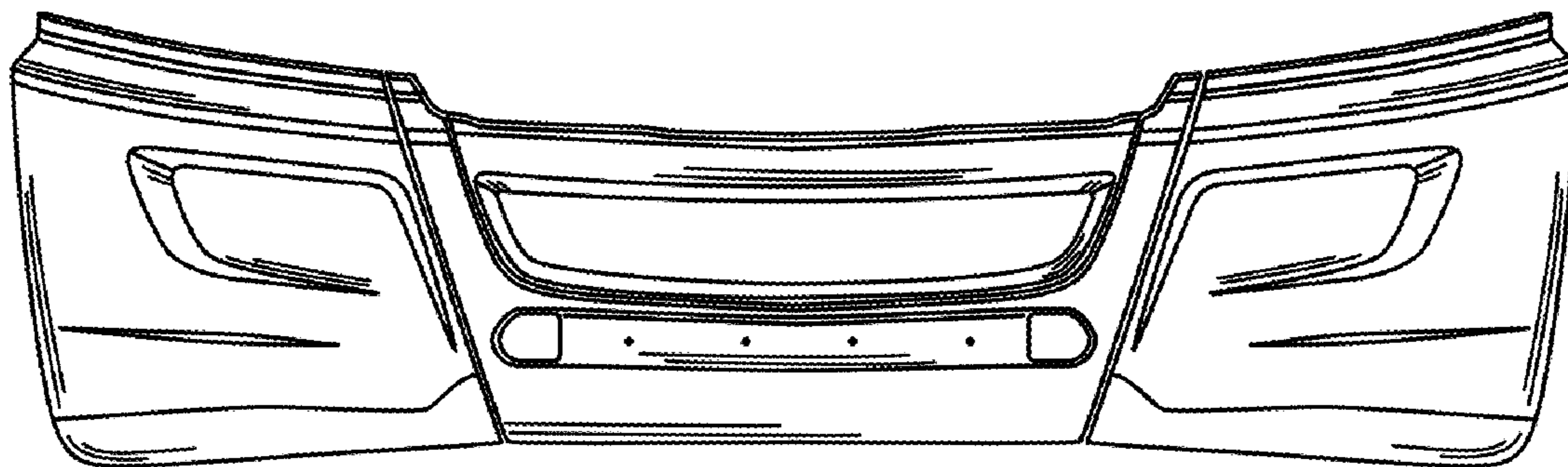
**DESCRIPTION**

FIG. 1 is a perspective view of a bumper for a truck vehicle showing our new design;  
FIG. 2 is a left side view thereof;  
FIG. 3 is a right side view thereof;  
FIG. 4 is a front view thereof;  
FIG. 5 is a rear view thereof;  
FIG. 6 is a bottom view thereof; and,  
FIG. 7 is a top plan view thereof.

(56) **References Cited**  
U.S. PATENT DOCUMENTS

D442,898 S 5/2001 Beigel et al.  
D445,073 S 7/2001 Tirey et al.

**1 Claim, 3 Drawing Sheets**



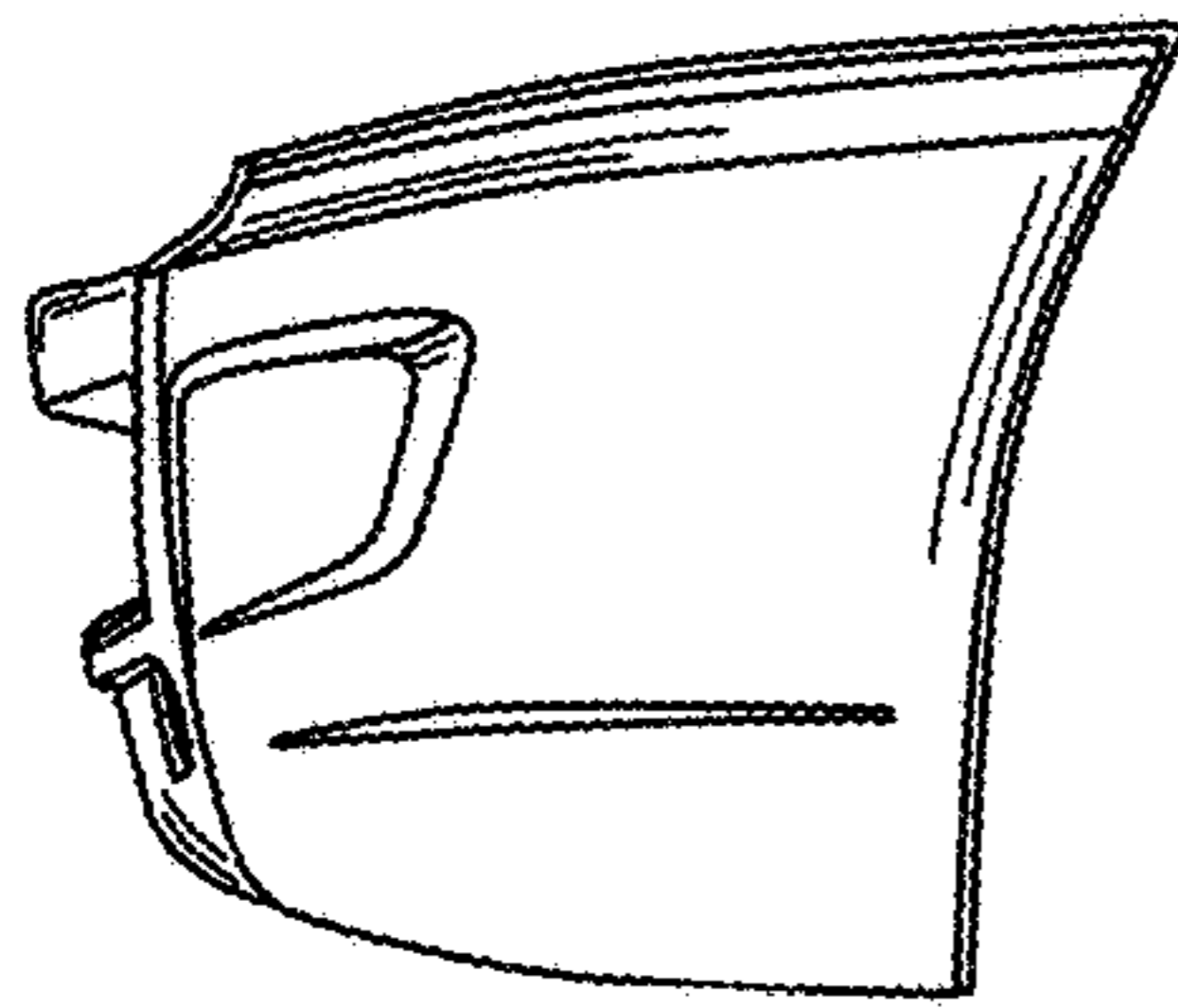
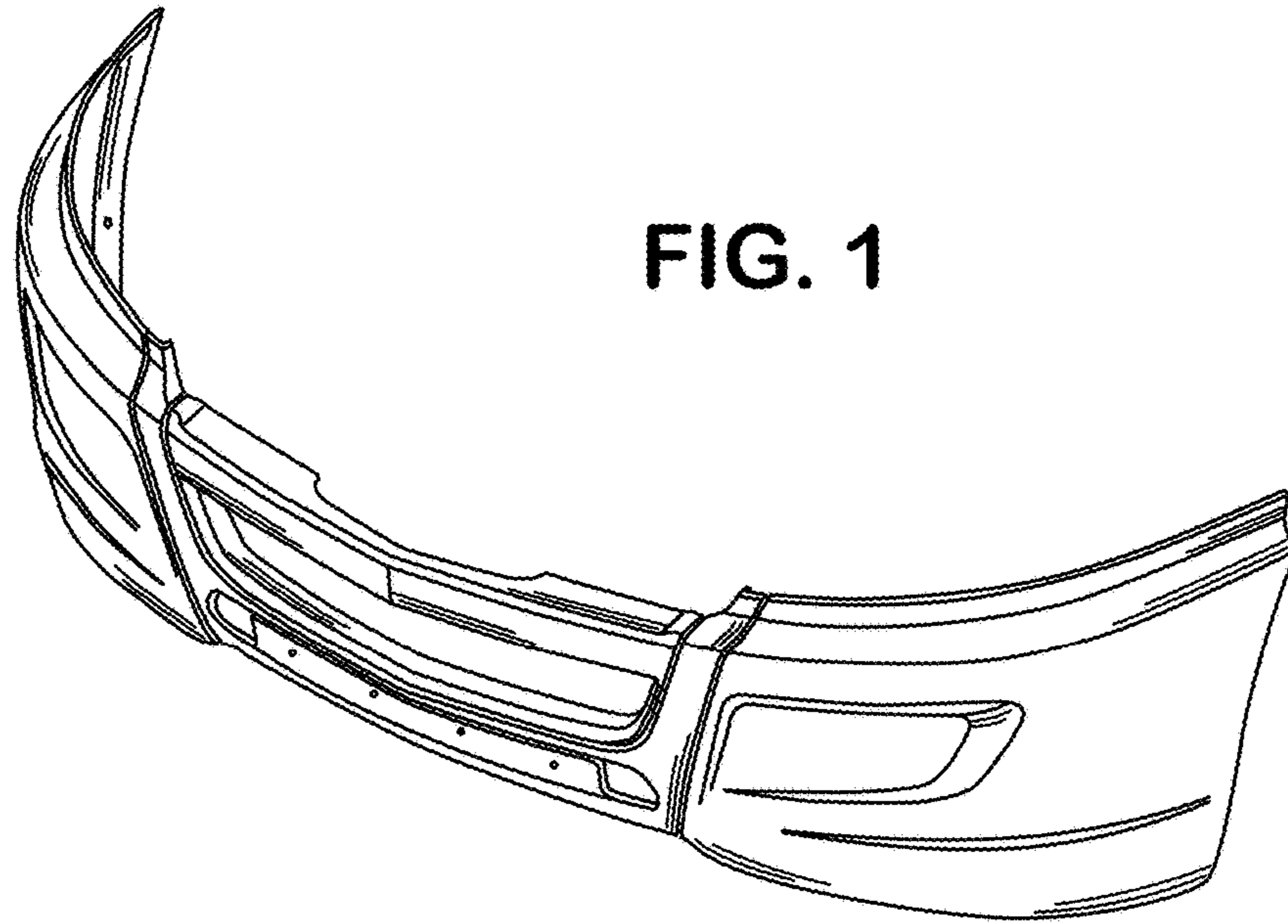


FIG. 3

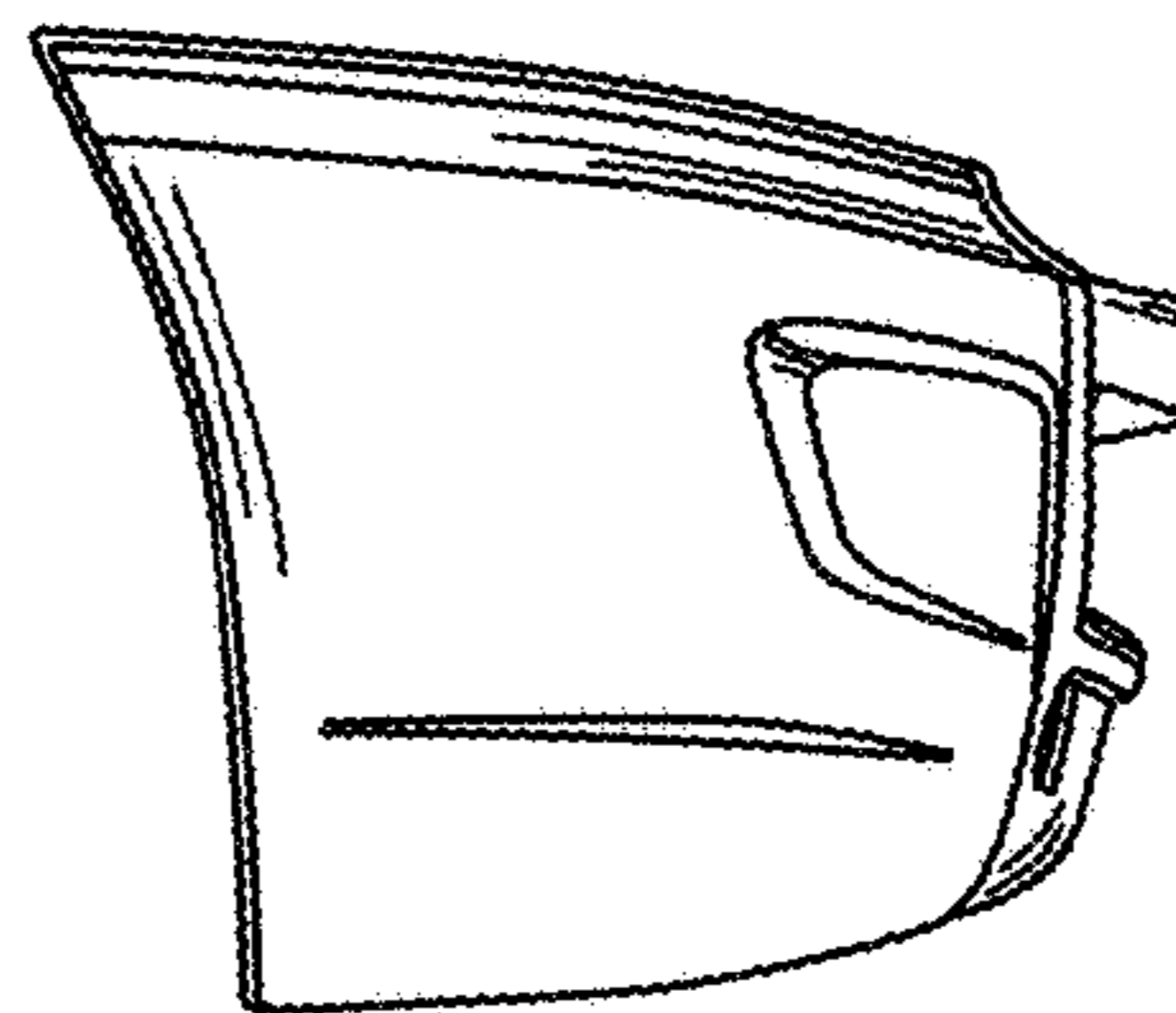


FIG. 4

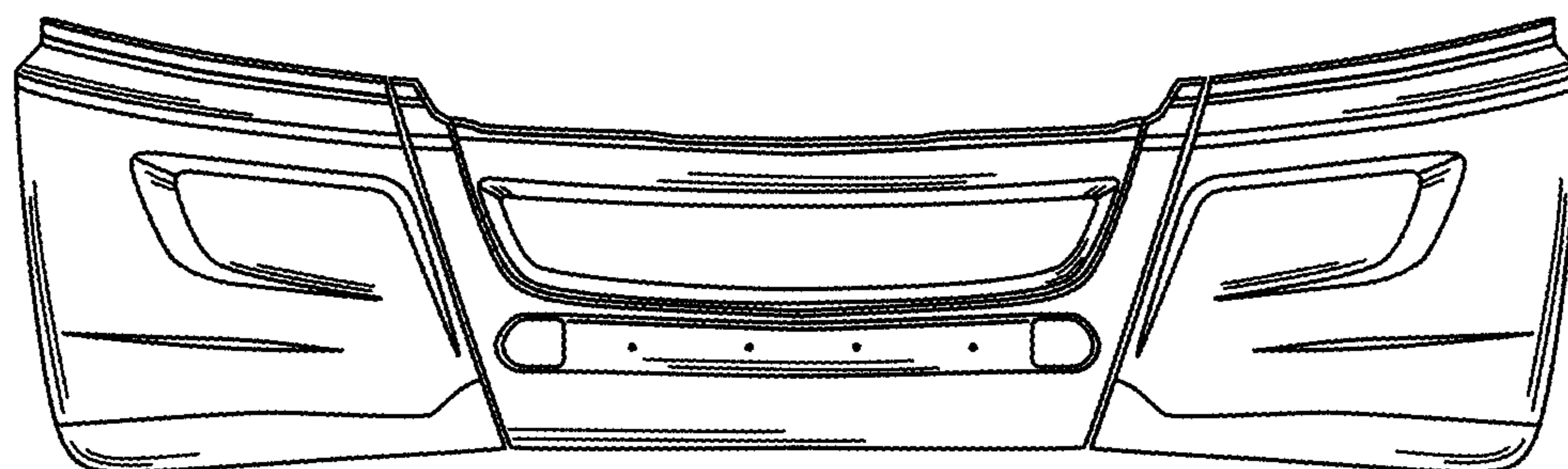


FIG. 5

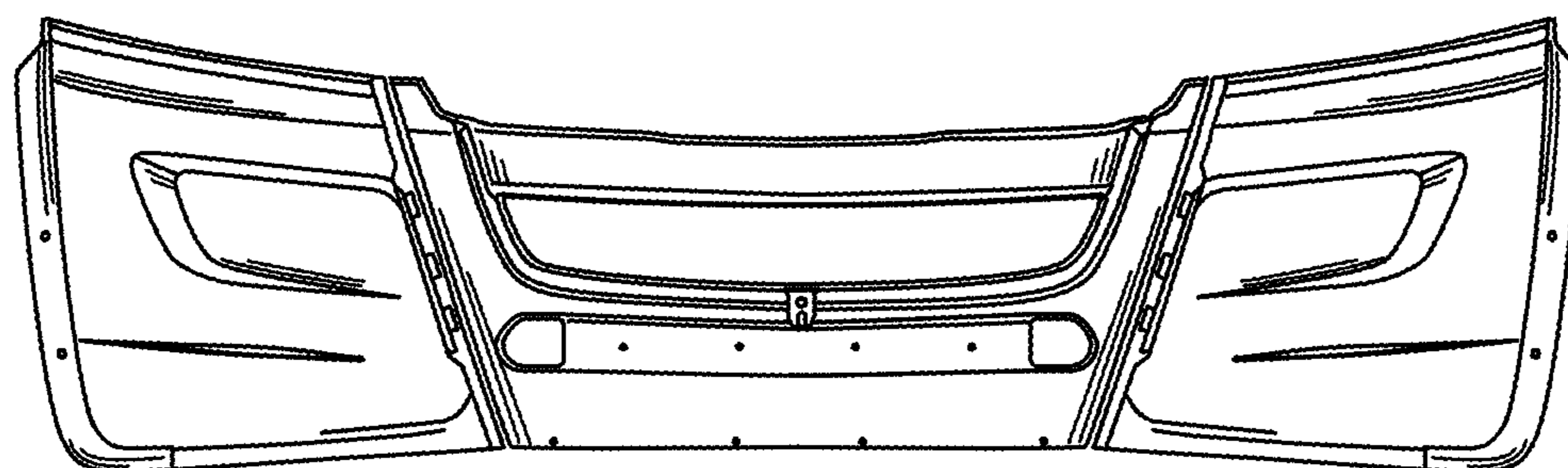


FIG. 6

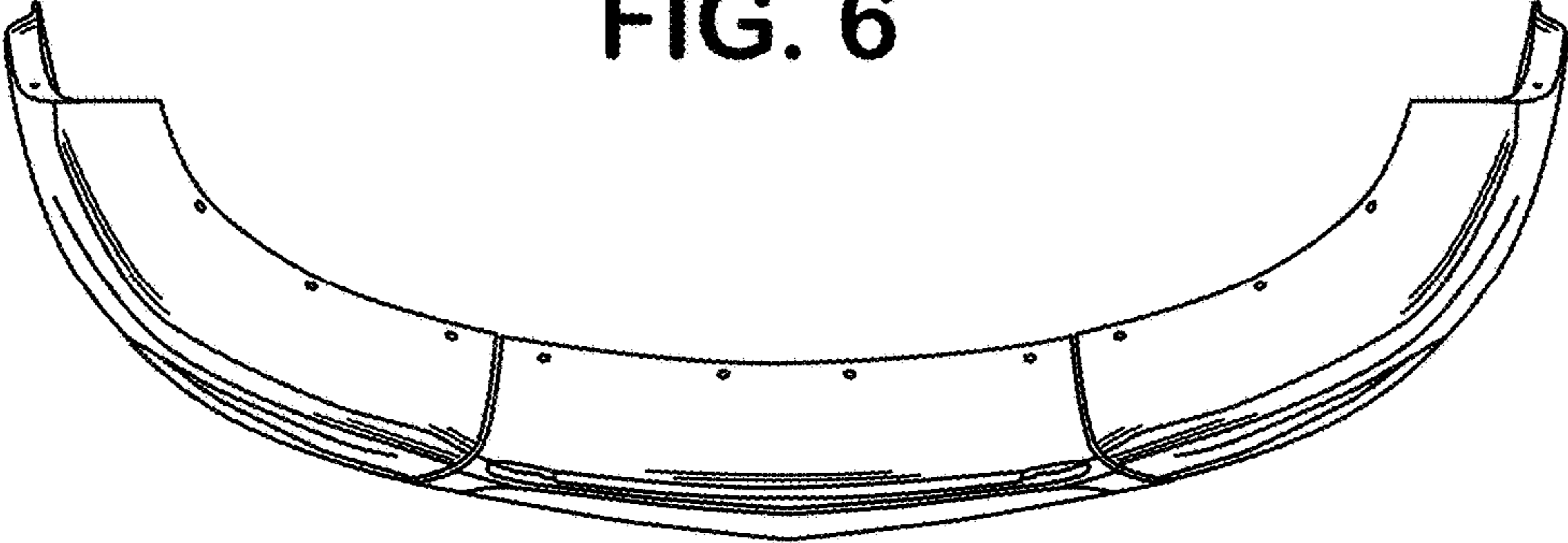


FIG. 7

