



US00D809437S

(12) **United States Design Patent**  
**Sugiyama et al.**

(10) **Patent No.:** **US D809,437 S**  
(45) **Date of Patent:** **\*\* Feb. 6, 2018**

(54) **TRIPOD TYPE CONSTANT VELOCITY JOINT**

(71) Applicant: **NTN CORPORATION**, Osaka (JP)

(72) Inventors: **Tatsuro Sugiyama**, Shizuoka (JP);  
**Hiroaki Makino**, Shizuoka (JP)

(73) Assignee: **NTN CORPORATION**, Osaka (JP)

(\*\*) Term: **15 Years**

(21) Appl. No.: **29/553,585**

(22) Filed: **Feb. 3, 2016**

(30) **Foreign Application Priority Data**

Aug. 3, 2015 (JP) ..... 2015-017252

(51) **LOC (11) Cl.** ..... **12-16**

(52) **U.S. Cl.**  
USPC ..... **D12/159**

(58) **Field of Classification Search**

USPC ..... D12/87-88, 93, 159-161, 400-401, 406,  
D12/412, 414, 414.1

CPC .. B60R 9/00; B60R 9/06; B60R 3/005; B60R  
13/00; Y10T 70/7638; Y10T 70/7655;  
Y10T 70/7667; F16F 9/3242; F16F  
9/0218; F16F 9/0227; F16F 9/3221; F16F  
9/3235; B60G 11/22; B60G 2204/125;  
B60G 2204/41; B60G 2202/143; B60G  
2202/142; B60G 2202/14; B60P 9/00;  
B60P 3/40

See application file for complete search history.

(56) **References Cited**

**U.S. PATENT DOCUMENTS**

3,820,634 A \* 6/1974 Poe ..... F16F 7/00  
188/129  
4,662,615 A \* 5/1987 Paton ..... B60G 17/052  
248/562

(Continued)

**FOREIGN PATENT DOCUMENTS**

CN 204452735 U \* 7/2015  
EP 1995481 A1 \* 11/2008 ..... F16D 3/2055  
JP 11063004 A \* 3/1999 ..... F16D 3/2055

**OTHER PUBLICATIONS**

Types of CV Joints and their design, posted at Locateballbearings.com, posted on © 2015, site visited Apr. 18, 2017, <<https://www.locateballbearings.com/CVJoint.html>>.\*

(Continued)

*Primary Examiner* — Barbara Fox

*Assistant Examiner* — Messina L Smith

(74) *Attorney, Agent, or Firm* — Wenderoth, Lind & Ponack, L.L.P.

(57) **CLAIM**

The ornamental design for a tripod type constant velocity joint, as shown and described.

**DESCRIPTION**

FIG. 1 is a front view of a tripod type constant velocity universal joint, showing the new design, a rear view being a mirror image;

FIG. 2 is a top view thereof, a bottom view being a mirror image;

FIG. 3 is a right side view thereof;

FIG. 4 is a left side view thereof;

FIG. 5 is a cross-sectional view taken in the direction of 5-5 in FIG. 4;

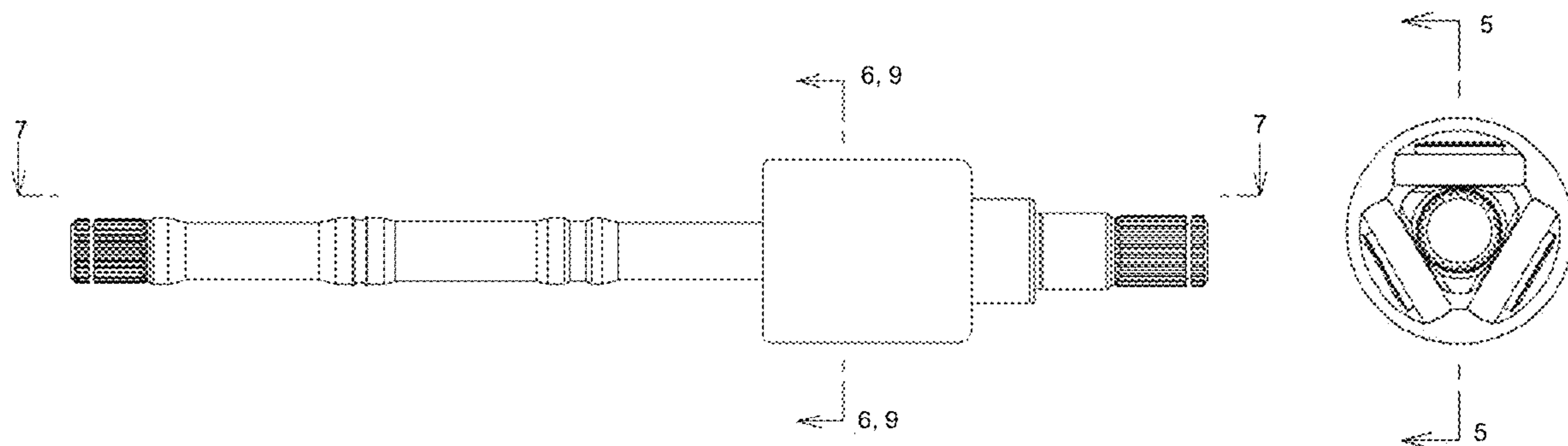
FIG. 6 is a cross-sectional view taken in the direction of 6-6 in FIG. 1;

FIG. 7 is a cross-sectional view taken in the direction 7-7 in FIG. 1;

FIG. 8 is an enlarged left side view of the tripod type constant velocity universal joint; and,

FIG. 9 is an enlarged cross-sectional view taken in the direction of 9-9 in FIG. 1.

**1 Claim, 9 Drawing Sheets**



(56)

**References Cited**

U.S. PATENT DOCUMENTS

4,901,829 A \* 2/1990 East, Jr. .... F16L 3/20  
188/129  
D402,634 S \* 12/1998 Matsubishi ..... D13/158  
D449,031 S \* 10/2001 Matsubishi ..... D13/171  
6,962,245 B2 \* 11/2005 Ray ..... F16F 7/123  
188/372  
7,654,908 B2 \* 2/2010 Izumino ..... F16D 3/2055  
464/111  
7,708,644 B2 \* 5/2010 Izumino ..... F16D 3/2055  
464/111  
7,758,430 B2 \* 7/2010 Yoon ..... F16D 3/2055  
464/111  
8,221,249 B2 \* 7/2012 Mondragon-Parra . F16D 3/2055  
464/111  
8,251,827 B2 \* 8/2012 Oh ..... F16D 3/2055  
464/111  
2001/0041621 A1 \* 11/2001 Sugiyama ..... F16D 3/2055  
464/111  
2001/0046899 A1 \* 11/2001 Sugiyama ..... F16D 3/2055  
464/111

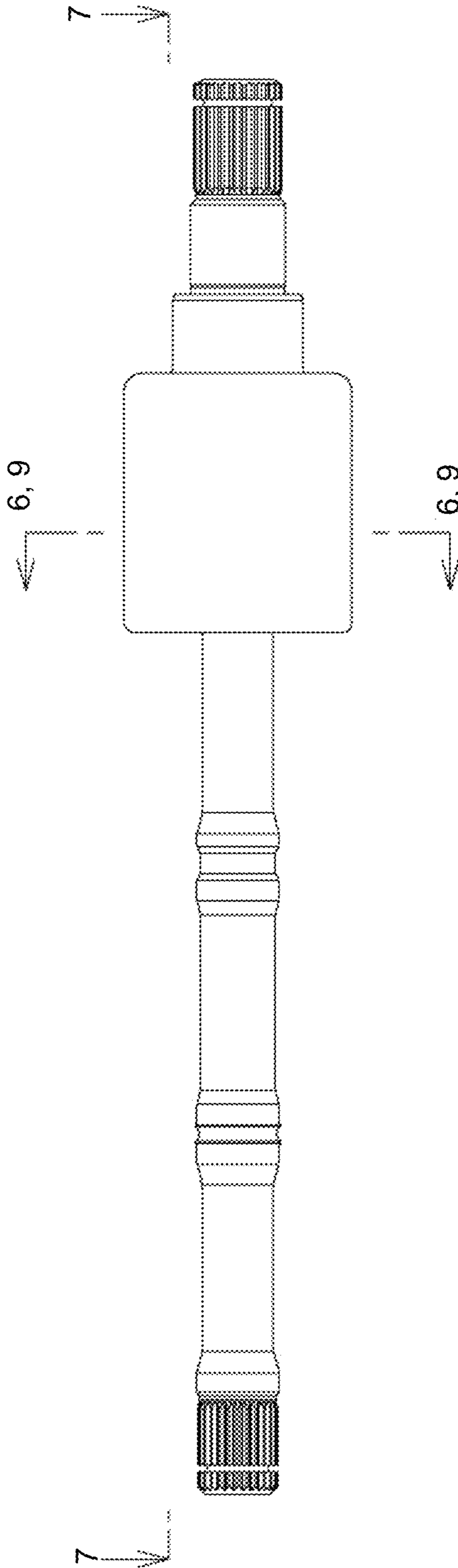
2002/0028711 A1 \* 3/2002 Ishiguro ..... F16D 3/2055  
464/111  
2002/0183121 A1 \* 12/2002 Kura ..... F16D 3/205  
464/111  
2004/0157667 A1 \* 8/2004 Ishijima ..... F16D 3/2055  
464/111  
2006/0223642 A1 \* 10/2006 Izumino ..... F16D 3/2055  
464/111  
2009/0011843 A1 \* 1/2009 Oh ..... F16D 3/2055  
464/147  
2013/0137526 A1 \* 5/2013 Sugiyama ..... F16D 3/205  
464/120

OTHER PUBLICATIONS

NTN Develops “30° PTJ” with World’s Largest Operating Angle for Crossover SUVs, posted at NTNGlobal.com, posted on Dec. 1, 2005, site visited Apr. 18, 2017, <[http://www.ntnglobal.com/en/news/new\\_products/news20051213.html](http://www.ntnglobal.com/en/news/new_products/news20051213.html)>.\*  
Constant Velocity Joints, posted at GKNservice.com, no posting date given, site visited Apr. 18, 2017, <[http://www.gknservice.com/gb/passenger\\_cars/constant\\_velocity\\_joints.html](http://www.gknservice.com/gb/passenger_cars/constant_velocity_joints.html)>.\*

\* cited by examiner

FIGURE 1



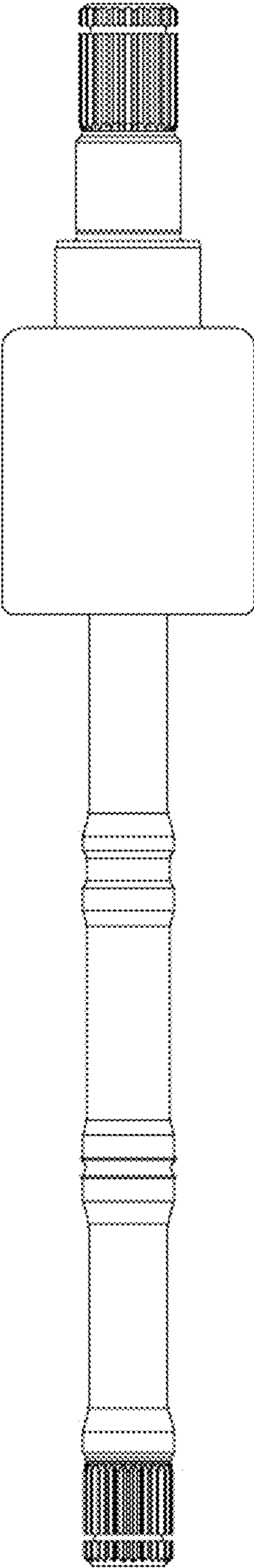


FIGURE 2

FIGURE 3

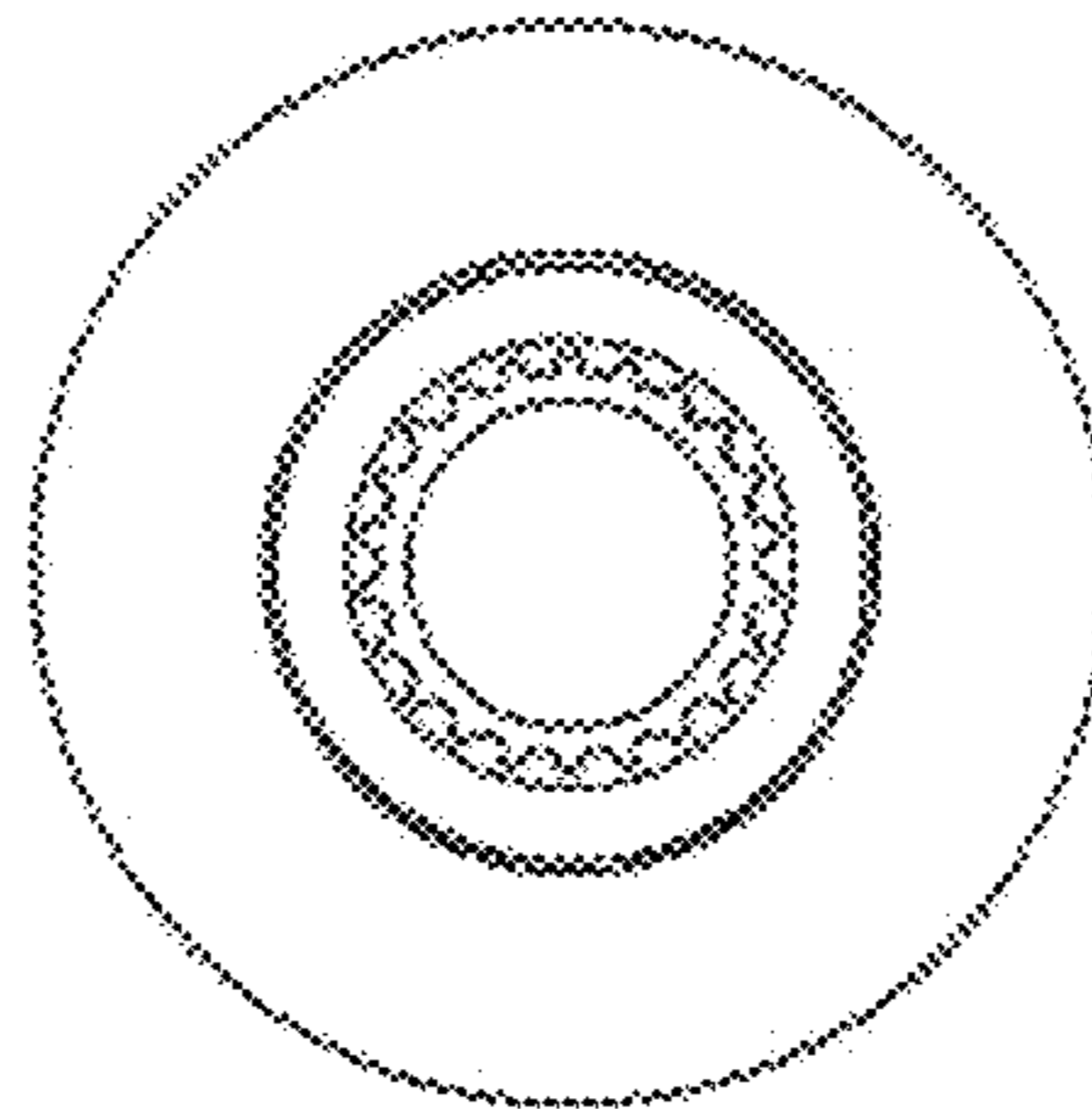
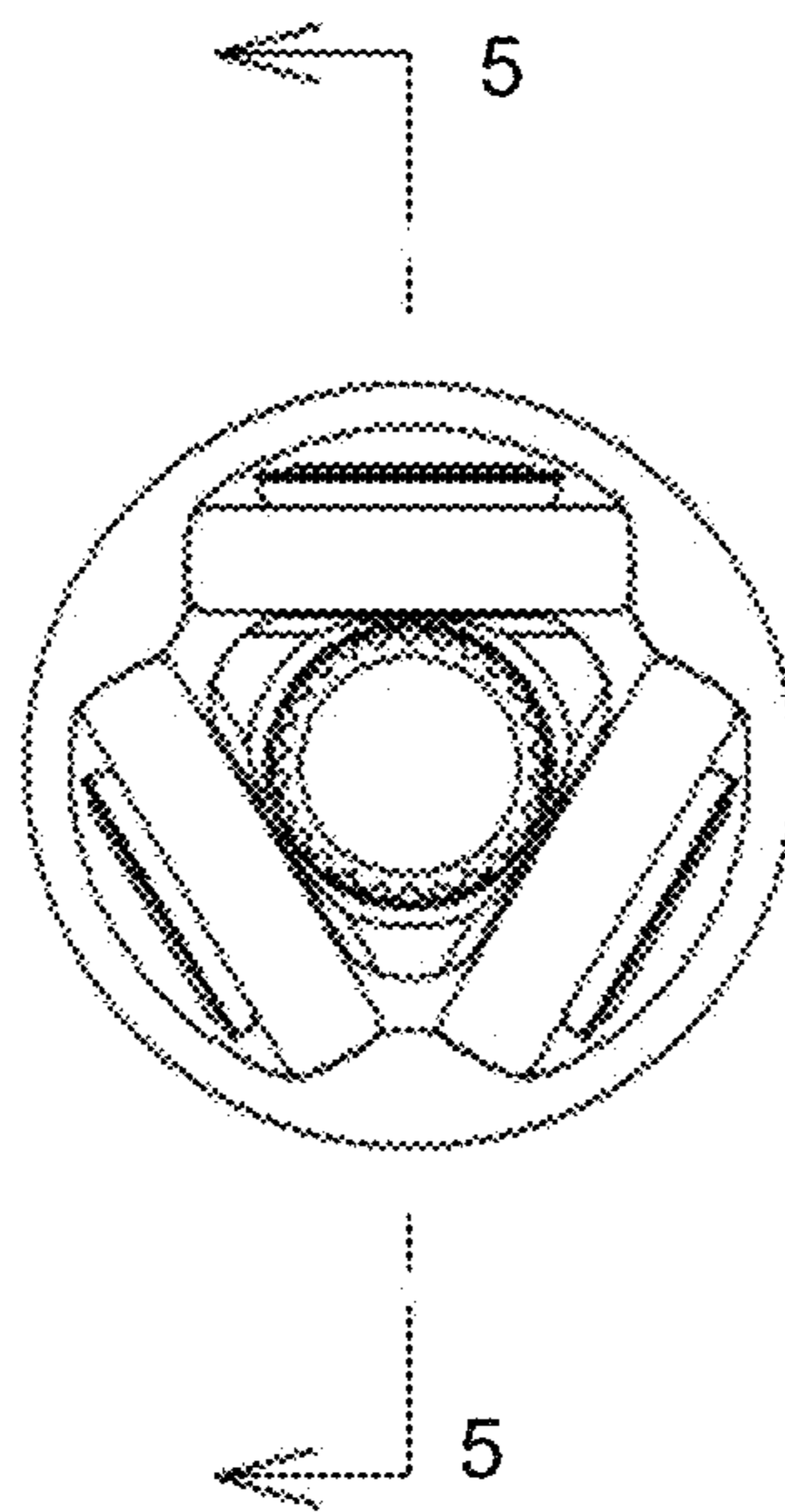


FIGURE 4



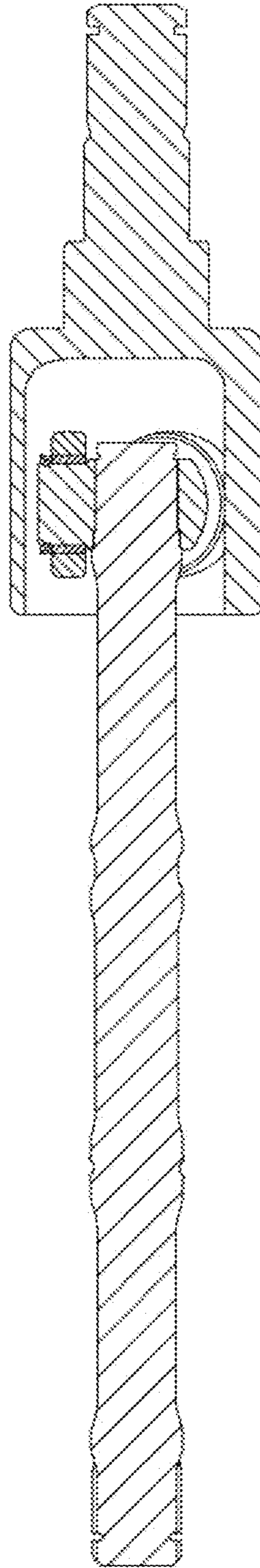
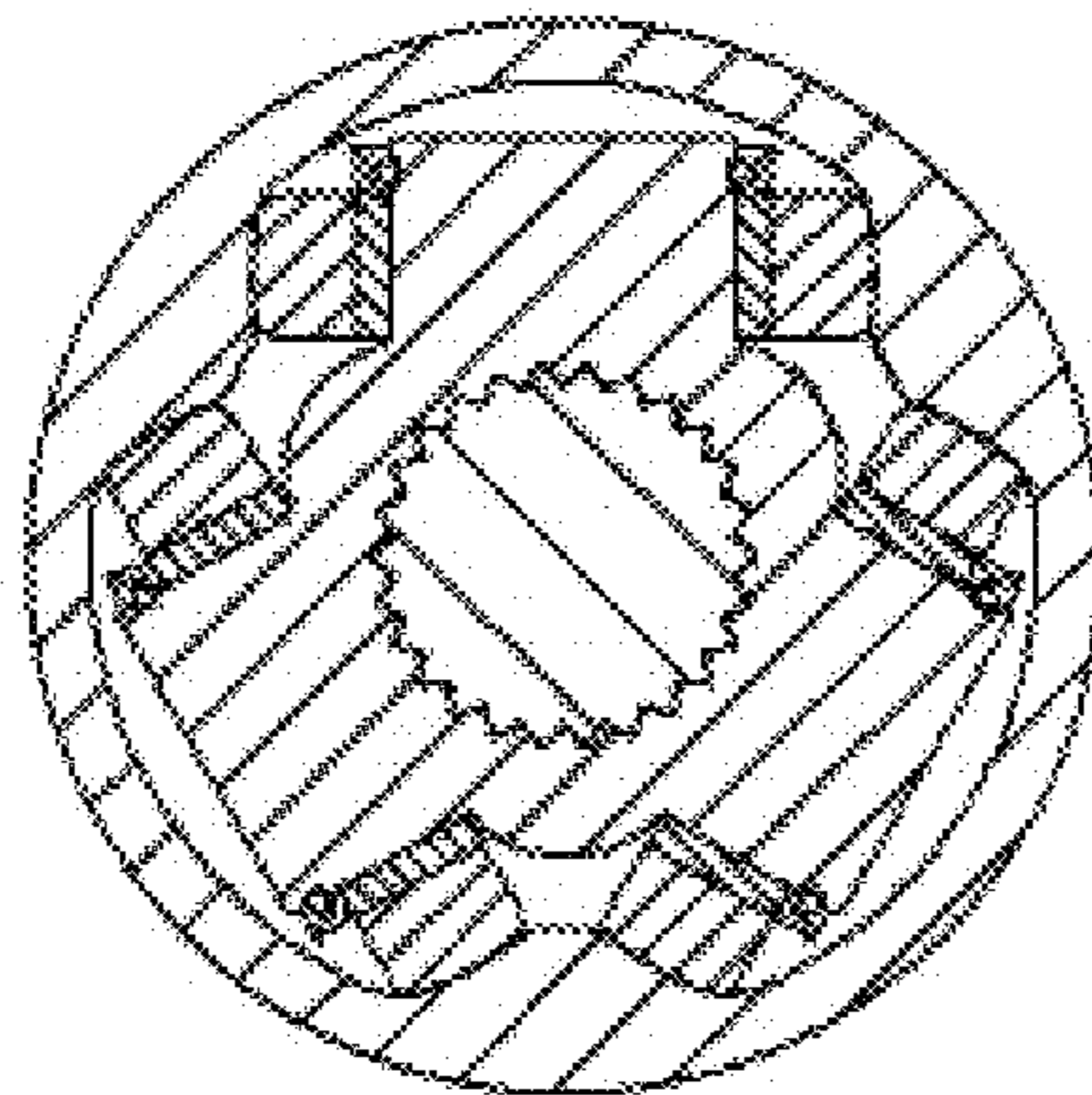


FIGURE 5

FIGURE 6





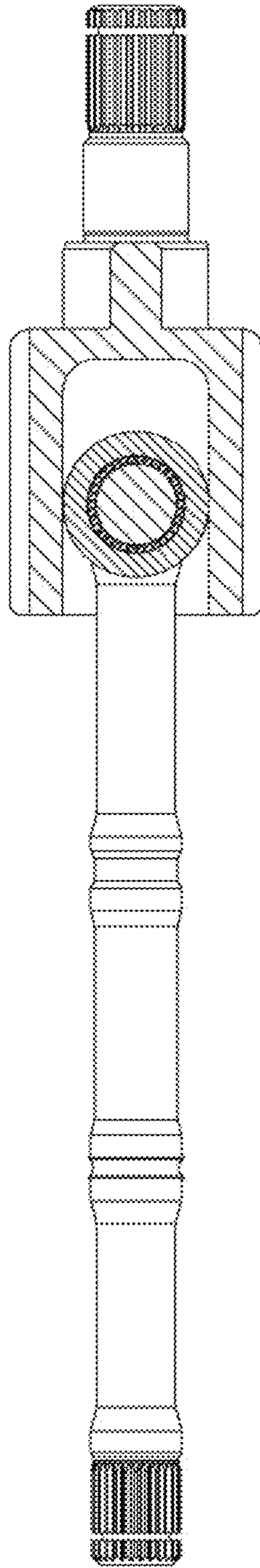


FIGURE 7

FIGURE 8

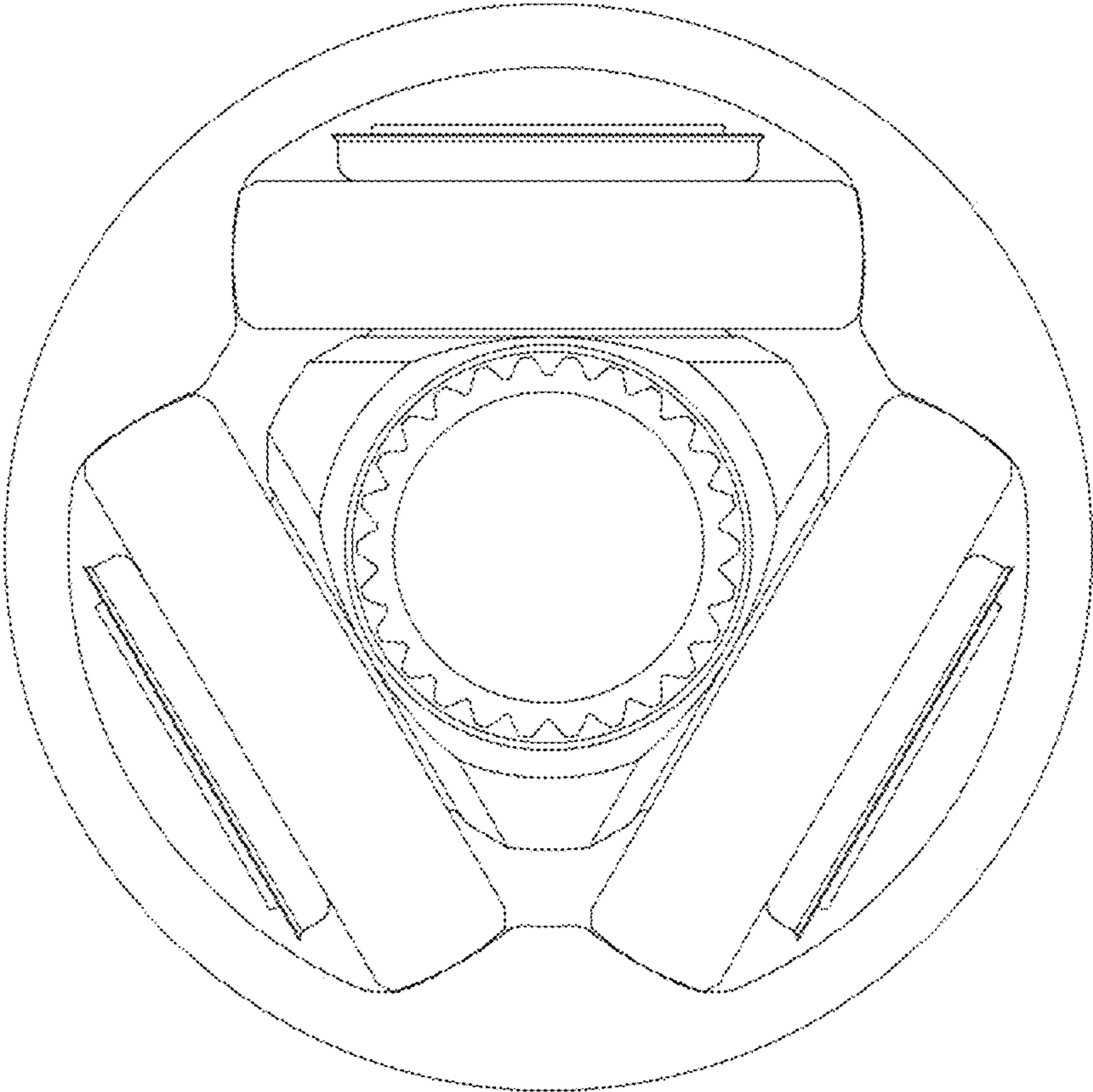


FIGURE 9

