



US00D809436S

(12) **United States Design Patent**
Tang

(10) **Patent No.:** **US D809,436 S**

(45) **Date of Patent:** **** Feb. 6, 2018**

- (54) **FRAME OF A STROLLER**
- (71) Applicant: **Zhongshan Yuyu Baby Products Co., Ltd.**, Zhongshan (CN)
- (72) Inventor: **Qiyu Tang**, Yongzhou (CN)
- (73) Assignee: **ZHONGSHAN YUYU BABY PRODUCTS CO., LTD.**, Zhongshan (CN)
- (**) Term: **15 Years**
- (21) Appl. No.: **29/598,070**
- (22) Filed: **Mar. 22, 2017**

7,364,171 B2 *	4/2008	Hu	B60B 1/006	280/47.38
D578,044 S *	10/2008	Chen	D12/129	
D593,459 S *	6/2009	Liao	D12/129	
D596,996 S *	7/2009	Yang	D12/129	
D621,306 S *	8/2010	Liao	D12/129	
D643,343 S *	8/2011	Song	D12/129	
D661,624 S *	6/2012	Stopp	D12/129	
D672,692 S *	12/2012	Jane Santamaria	D12/129	
D677,605 S *	3/2013	Ide	D12/129	
D715,702 S *	10/2014	Chen	D12/129	
D721,015 S *	1/2015	Bassan	D12/129	
D726,078 S *	4/2015	Liao	D12/129	
D733,617 S *	7/2015	Angelfoss	D12/129	
D737,733 S *	9/2015	Zhong	D12/129	
D747,669 S *	1/2016	Cheng	D12/129	
D753,027 S *	4/2016	Jane Santamaria	D12/129	
D754,033 S *	4/2016	Angelfoss	D12/129	

* cited by examiner

(30) **Foreign Application Priority Data**

Jan. 10, 2017 (CN) 2017 3 0008667

(51) **LOC (11) Cl.** **12-12**

(52) **U.S. Cl.**
USPC **D12/129**

(58) **Field of Classification Search**
USPC D12/128-133
CPC B62B 7/00-7/04; B62B 9/00-9/28; A47D 13/043; A47D 13/107; A47D 13/04; A47D 13/005; A47D 3/00
See application file for complete search history.

(56) **References Cited**

U.S. PATENT DOCUMENTS

D375,707 S *	11/1996	Yang	D12/129
D519,422 S *	4/2006	Huang	D12/129
7,267,359 B1 *	9/2007	Yang	B62B 7/08
				280/47.34

Primary Examiner — Charles Hanson

(74) *Attorney, Agent, or Firm* — Ming Chow; Sinorica, LLC

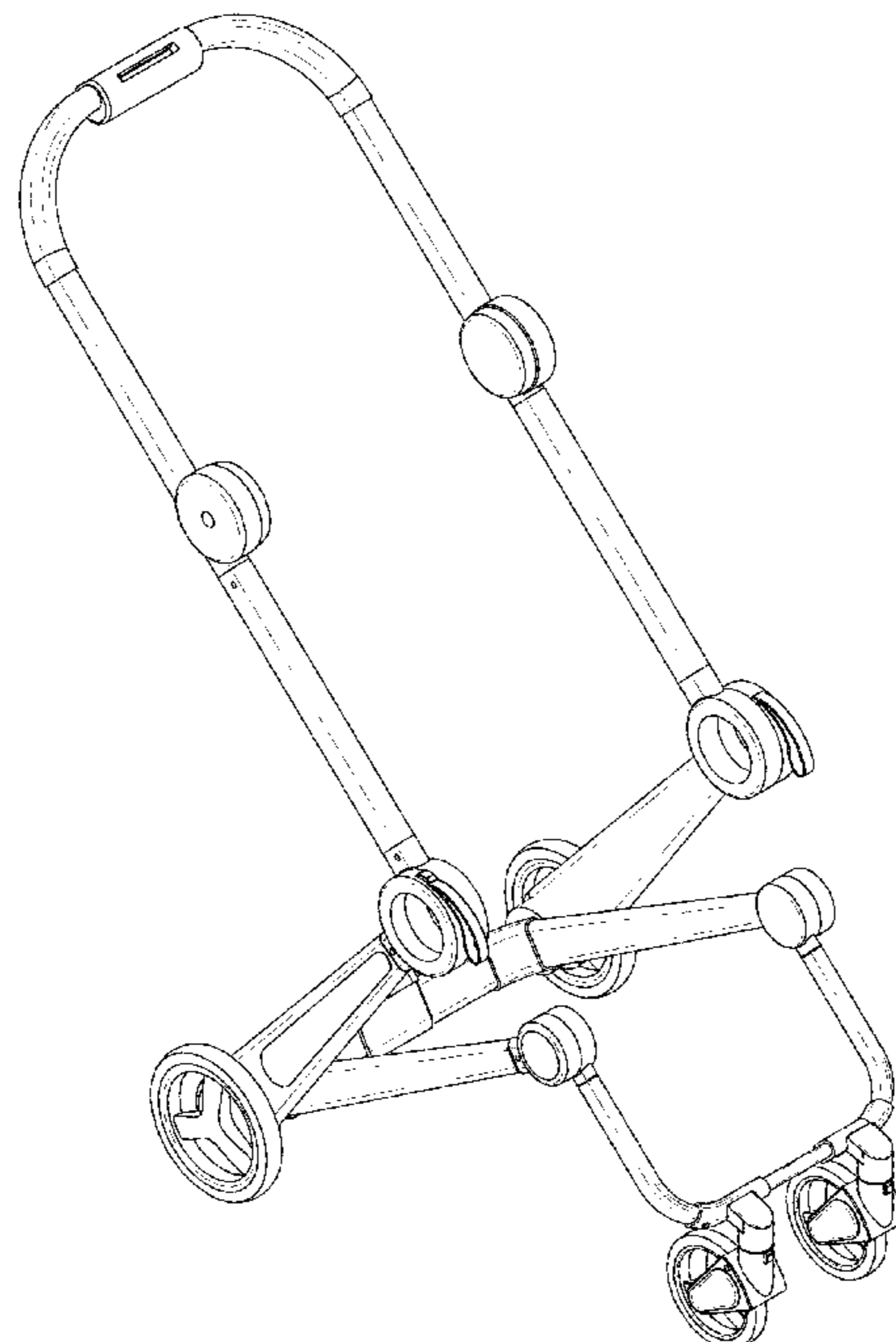
(57) **CLAIM**

The ornamental design for a frame of a stroller, as shown and described.

DESCRIPTION

FIG. 1 is a perspective view of the frame of a stroller showing my new design;
FIG. 2 is a front elevation view thereof;
FIG. 3 is left side view thereof;
FIG. 4 is right side view thereof;
FIG. 5 is a top plan view thereof;
FIG. 6 is a bottom plan view thereof; and,
FIG. 7 is a perspective view of the new design in use.

1 Claim, 7 Drawing Sheets



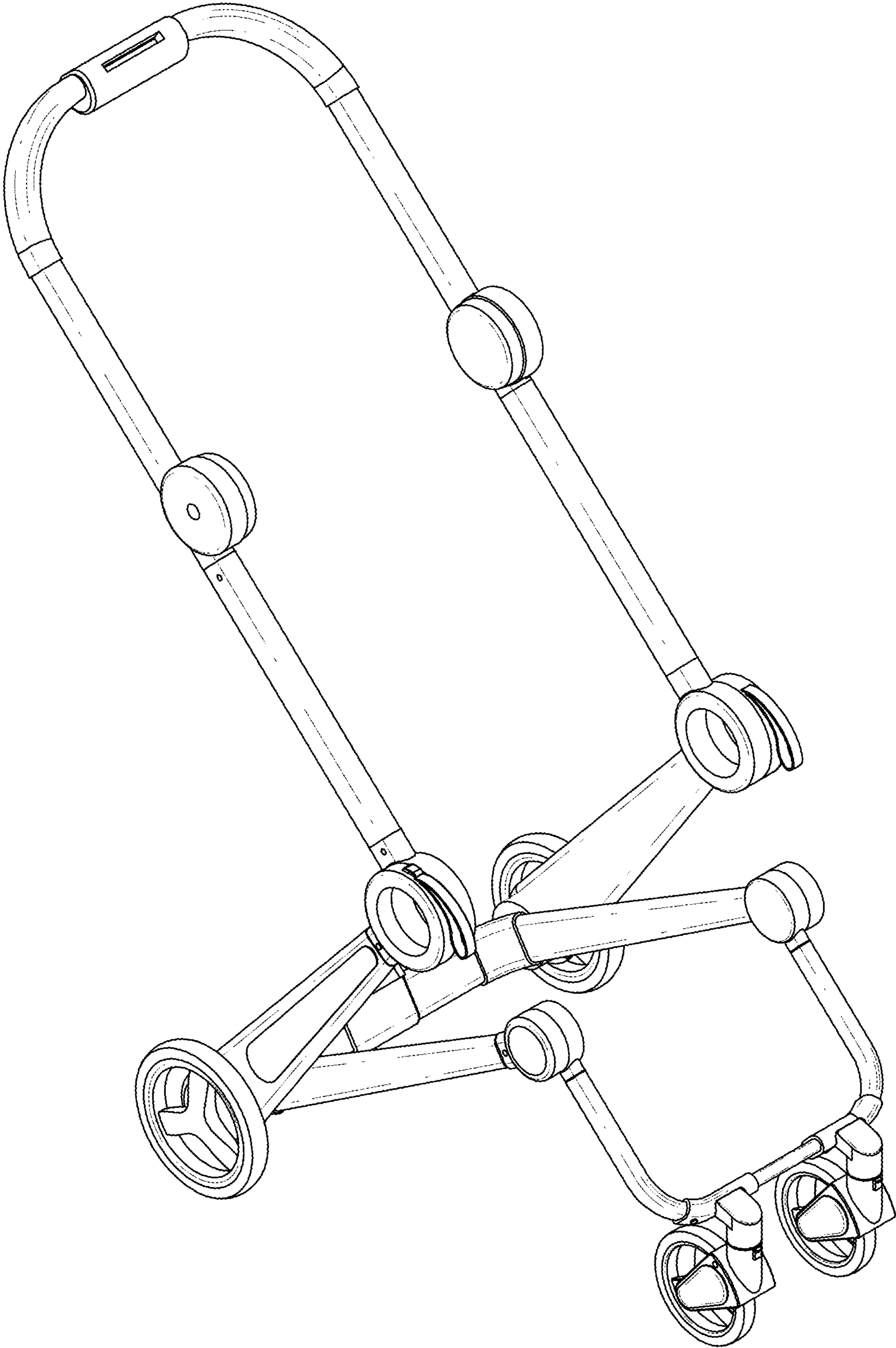


FIG.1

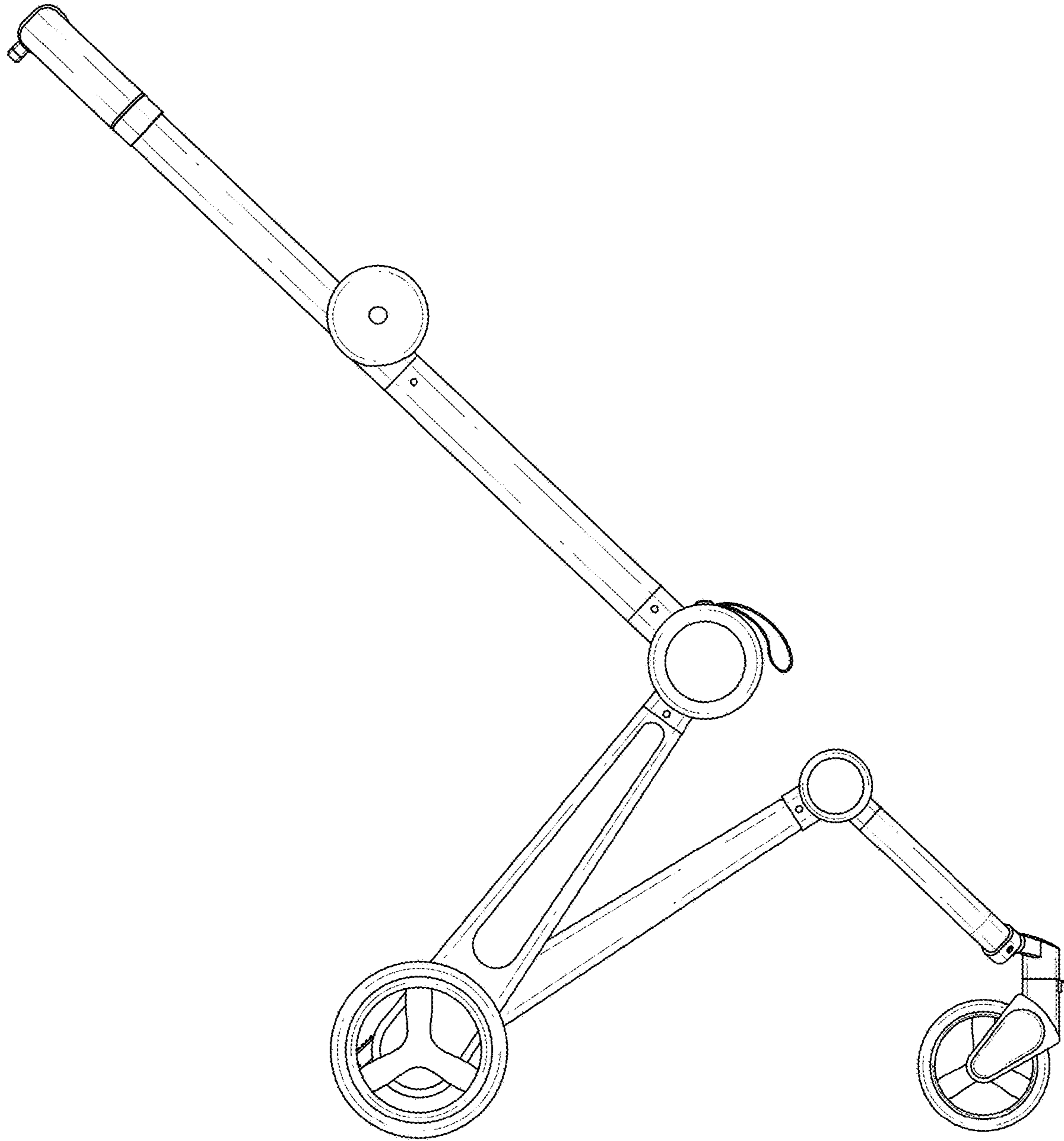


FIG.2

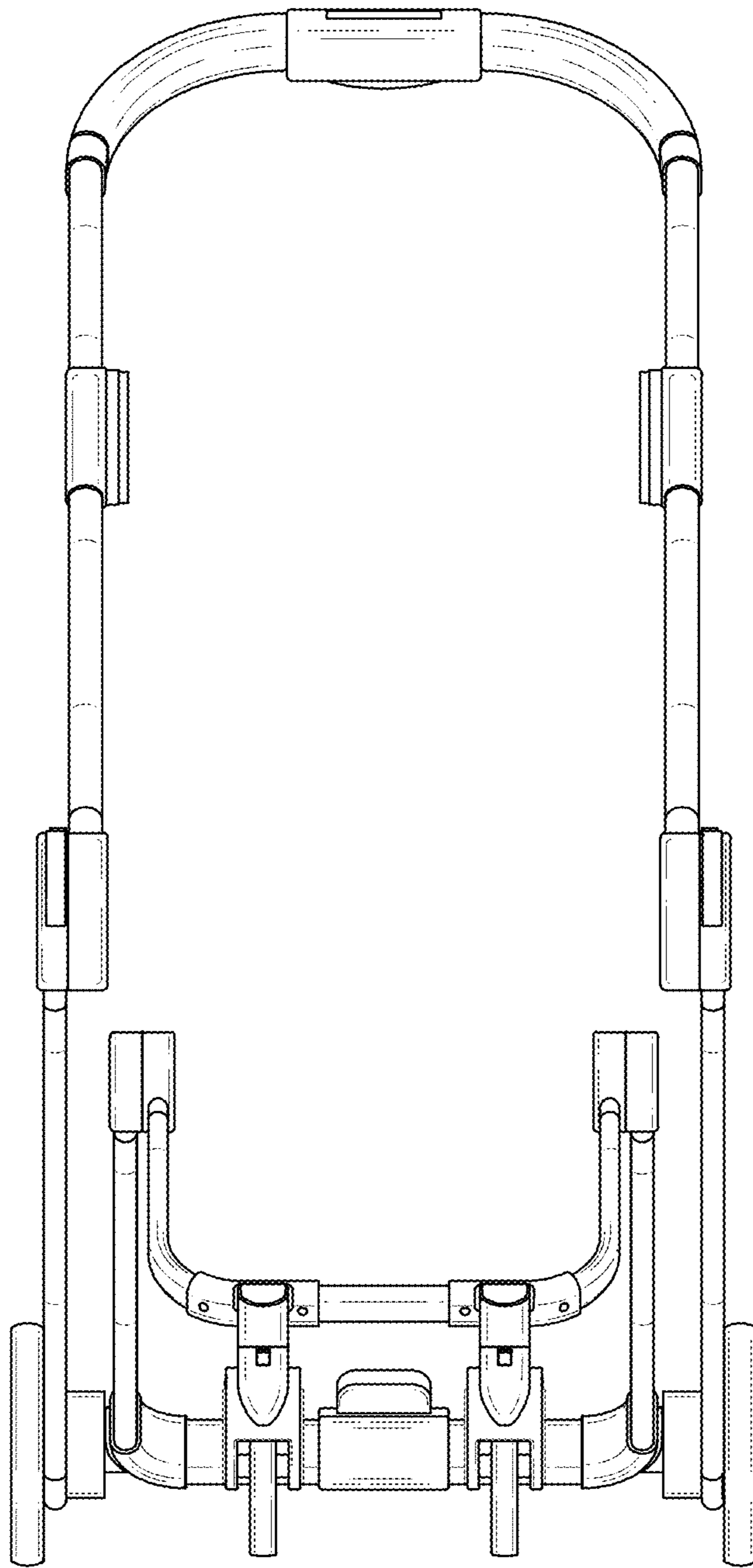


FIG.3

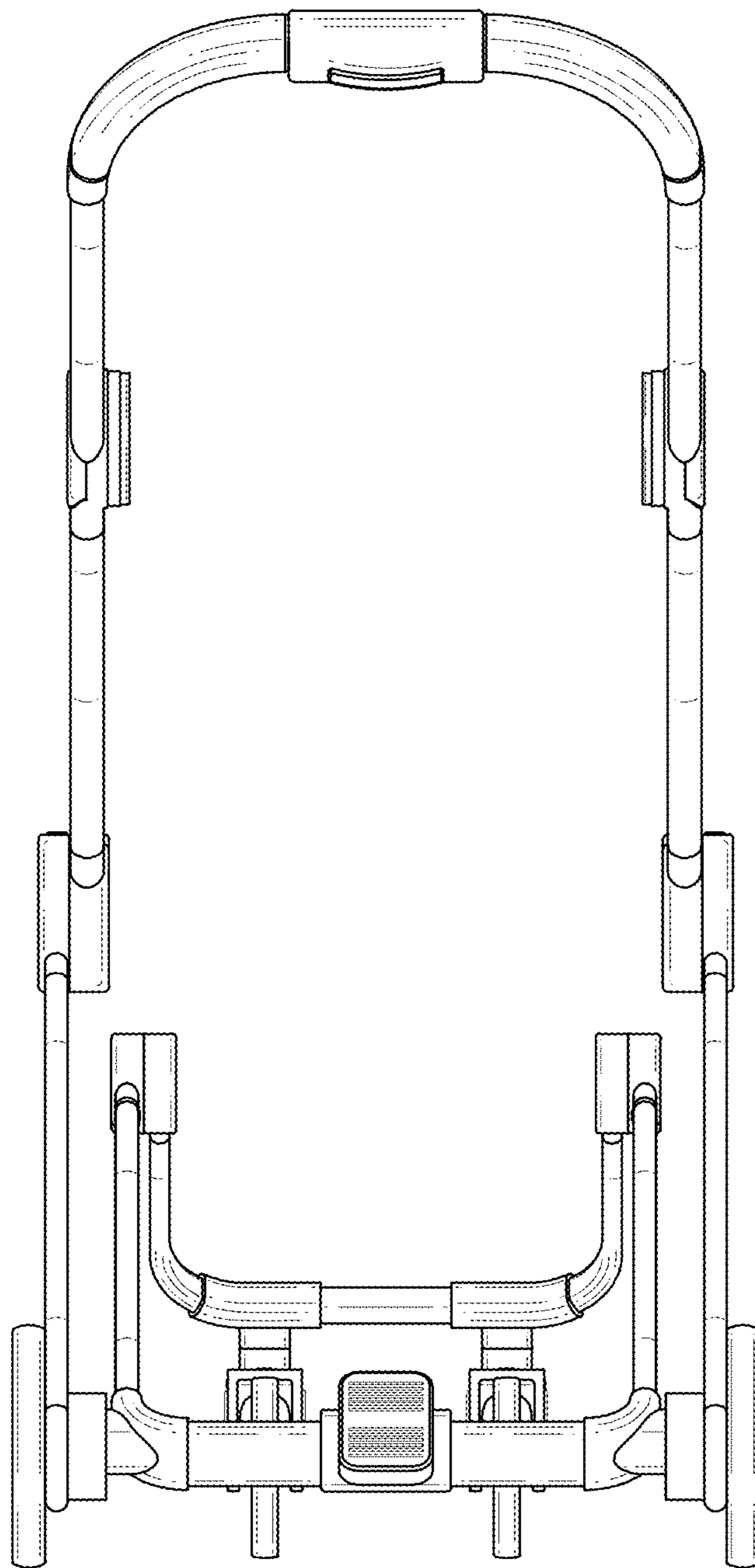


FIG.4

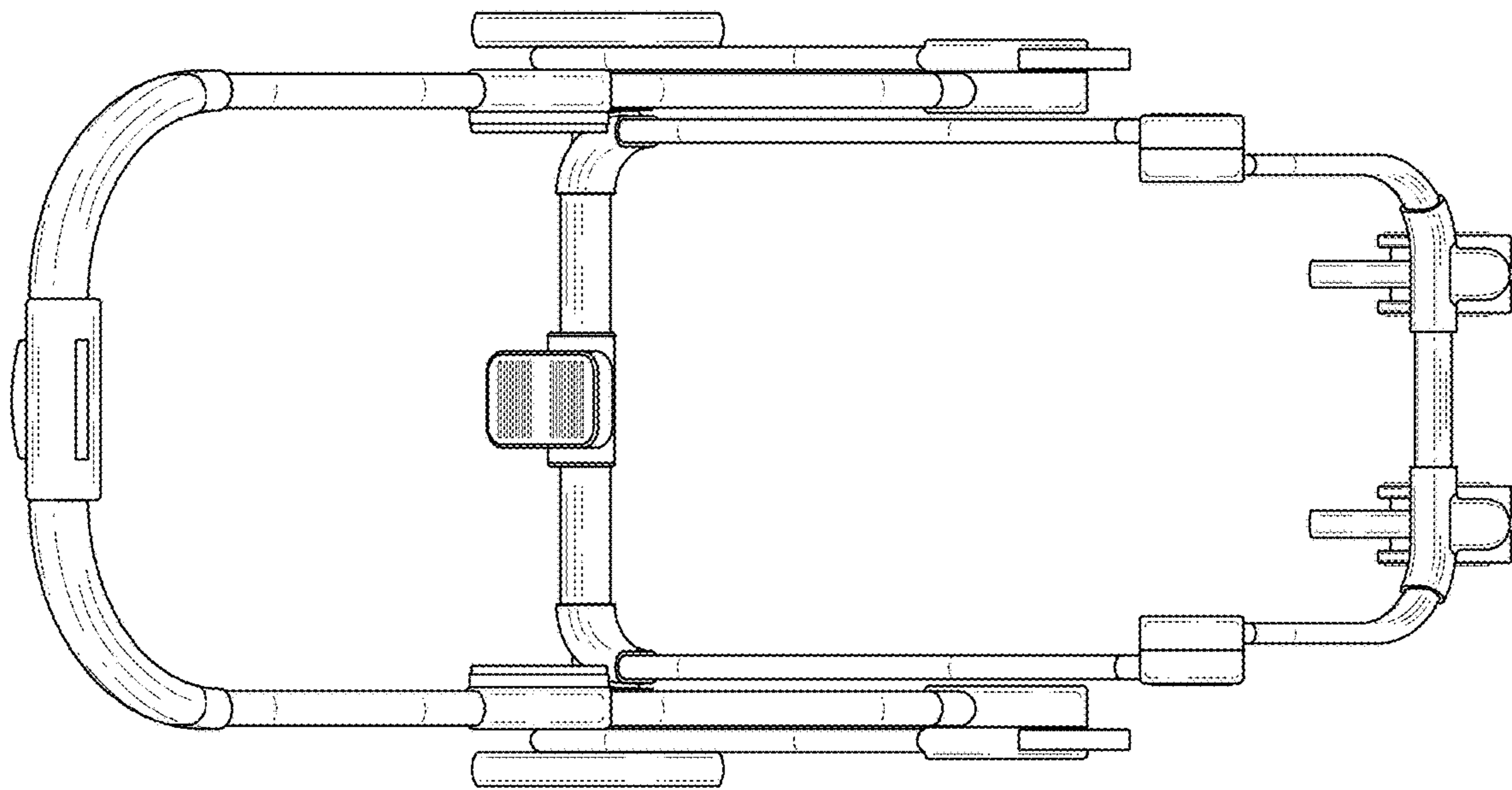


FIG.5

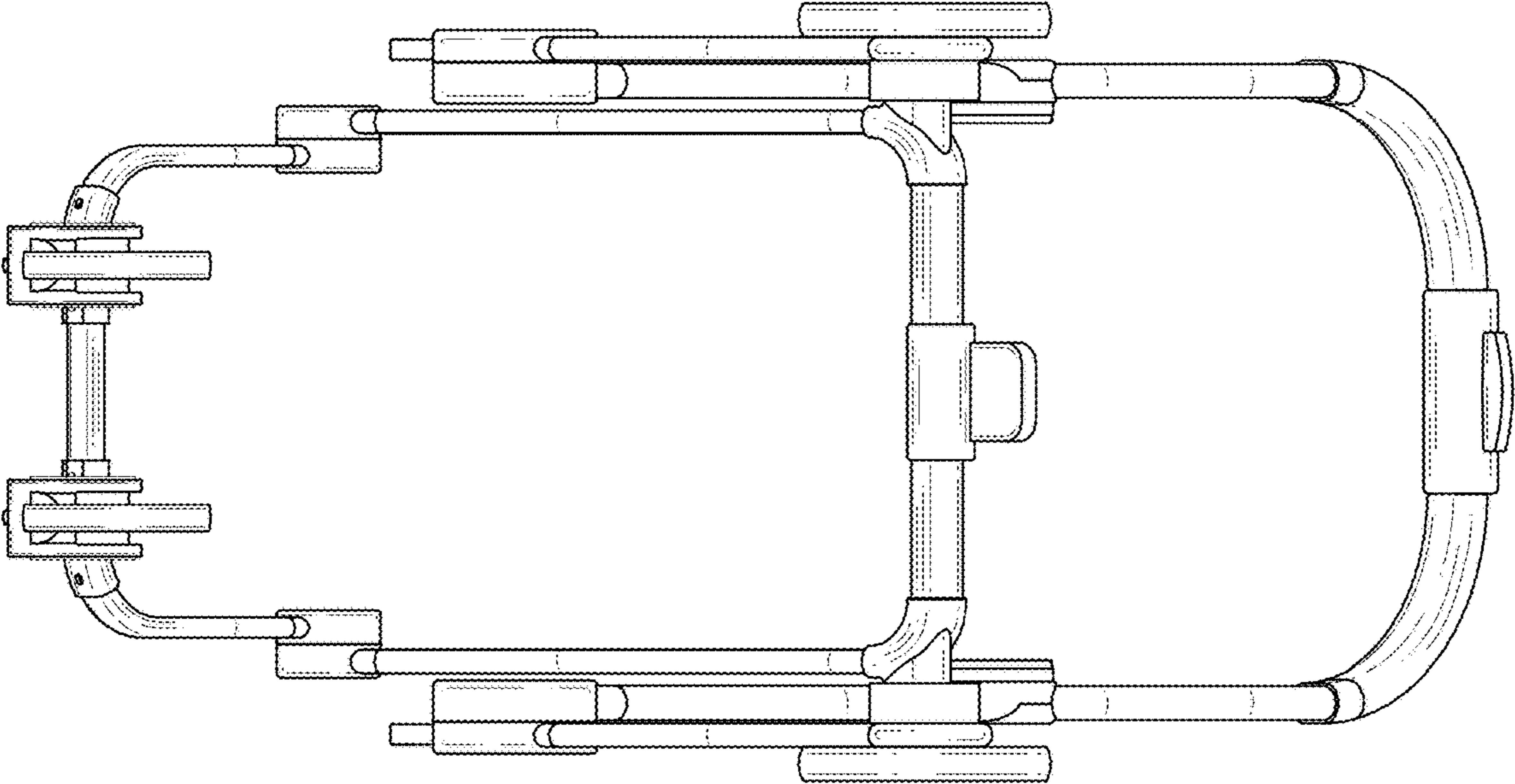


FIG.6

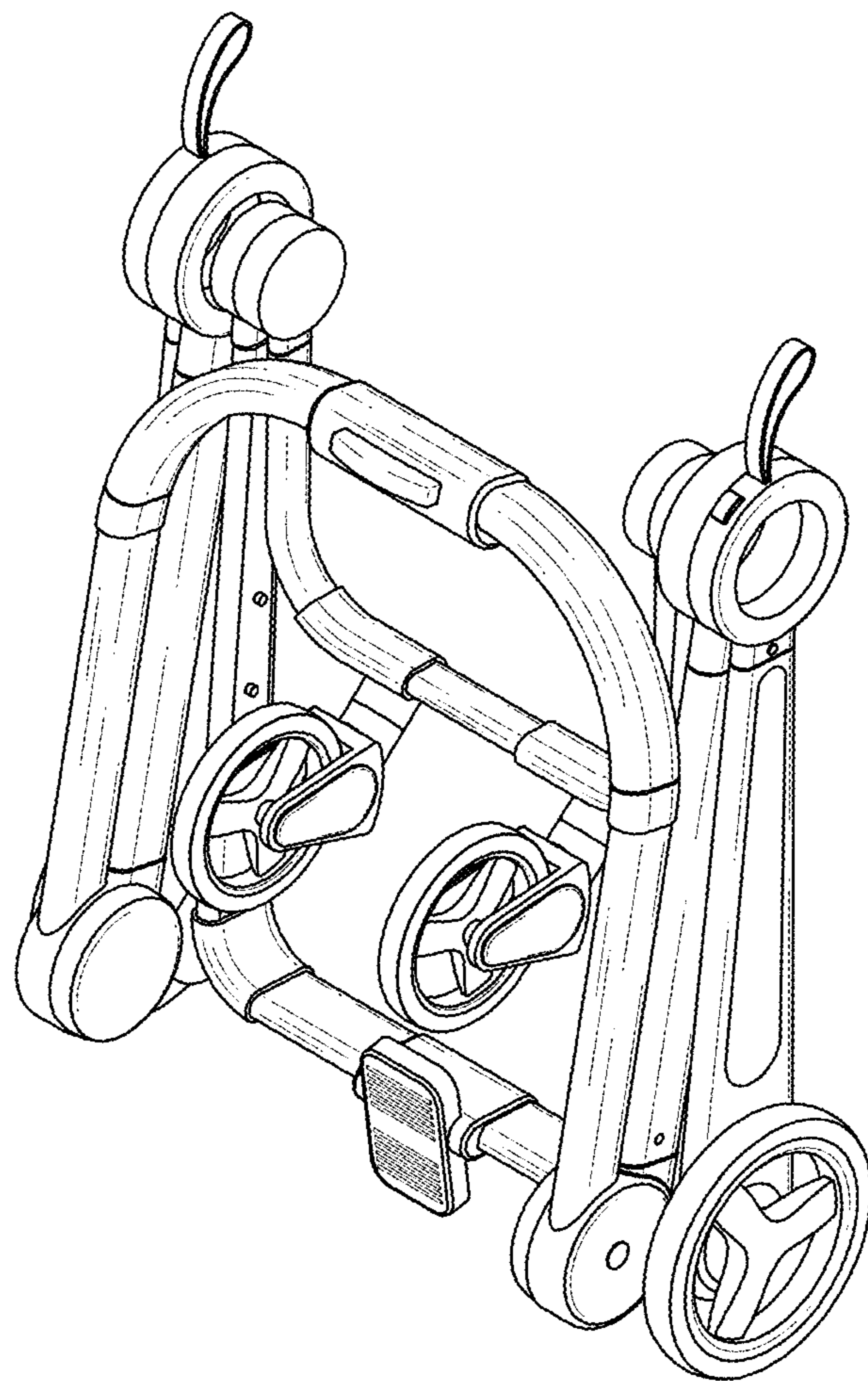


FIG.7