



US00D809433S

(12) **United States Design Patent**
Kobayashi

(10) **Patent No.:** **US D809,433 S**
(45) **Date of Patent:** **** Feb. 6, 2018**

(54) **MOTORCYCLE**

(71) Applicant: **KAWASAKI JUKOGYO**
KABUSHIKI KAISHA, Kobe-shi,
Hyogo (JP)

(72) Inventor: **Minoru Kobayashi**, Kakogawa (JP)

(73) Assignee: **KAWASAKI JUKOGYO**
KABUSHIKI KAISHA (JP)

(**) Term: **15 Years**

(21) Appl. No.: **29/580,255**

(22) Filed: **Oct. 6, 2016**

(30) **Foreign Application Priority Data**

Apr. 25, 2016 (JP) 2016-008997

(51) **LOC (11) Cl.** **12-11**

(52) **U.S. Cl.**
USPC **D12/110**

(58) **Field of Classification Search**
USPC D12/110, 111, 112, 114, 117, 119
CPC ... B62K 3/00; B62K 3/02; B62K 5/00; B62K
5/003; B62K 5/007; B62K 5/01; B62K
11/00; B62K 11/02; B62K 11/04; B62K
15/00; B62K 2202/00; F02M 35/162;
B60K 11/08

See application file for complete search history.

(56) **References Cited**

U.S. PATENT DOCUMENTS

D526,249 S * 8/2006 Tanaka D12/110
D594,784 S * 6/2009 Ichihara D12/110
D598,330 S * 8/2009 Miyanishi D12/110
D609,609 S * 2/2010 Hayashi D12/110
D632,226 S * 2/2011 Miyata D12/110
D640,173 S * 6/2011 Oyanagi D12/110
D665,706 S * 8/2012 Oyanagi D12/110
D685,682 S * 7/2013 Matsumura D12/110

D738,789 S * 9/2015 Inose D12/110
D792,287 S * 7/2017 Kobayashi D12/110
2013/0313034 A1* 11/2013 Matsushima B62K 11/00
180/219
2015/0060178 A1* 3/2015 Matsushima F02M 35/162
180/219
2017/0057338 A1* 3/2017 Inagaki B60K 11/08

FOREIGN PATENT DOCUMENTS

JP D1544270 2/2016

OTHER PUBLICATIONS

Decision of Registration and Notice Informing the Examination
Materials dated Dec. 13, 2016 for Corresponding Japanese Design
Patent Application No. 2016-008997 (3 pages)
U.S. Appl. No. 29/545,511, filed Nov. 13, 2015 is a co-pending
application (11 pages).

* cited by examiner

Primary Examiner — Karen S Acker
Assistant Examiner — Jerry Shiuan-Hua Hsu

(57) **CLAIM**

The ornamental design for a motorcycle, as shown and
described.

DESCRIPTION

FIG. 1 is a front elevational view of a motorcycle showing
my new design;
FIG. 2 is a rear elevational view thereof;
FIG. 3 is a left side elevational view thereof;
FIG. 4 is a right side elevational view thereof;
FIG. 5 is a top plan view thereof;
FIG. 6 is a front left perspective view thereof; and,
FIG. 7 is a rear right perspective view thereof.
The dark and light greyed surfaces do not represent a color
nor a pattern but are intended to represent shading on the
surface of the drawings.

1 Claim, 7 Drawing Sheets

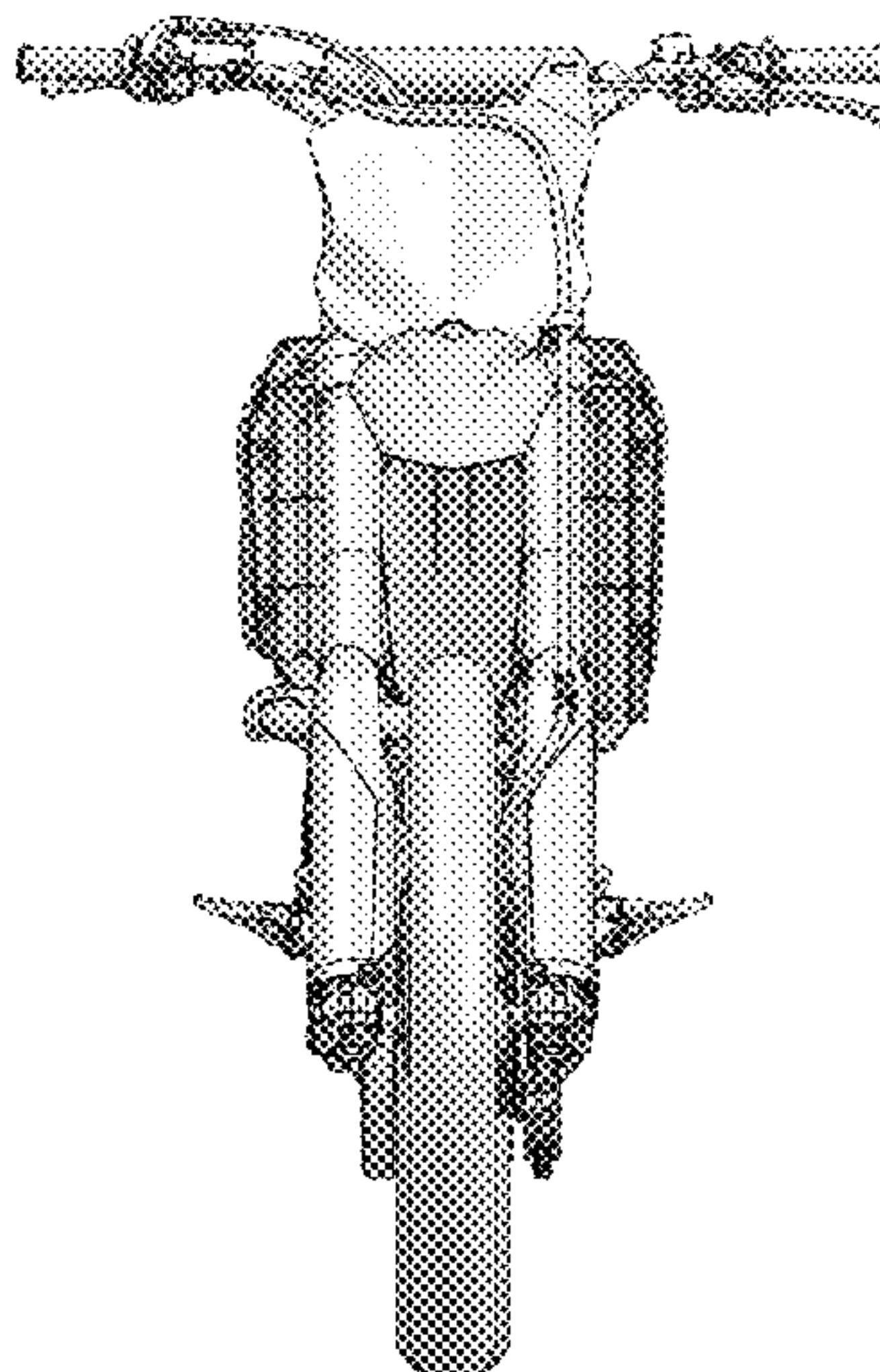


Fig. 1

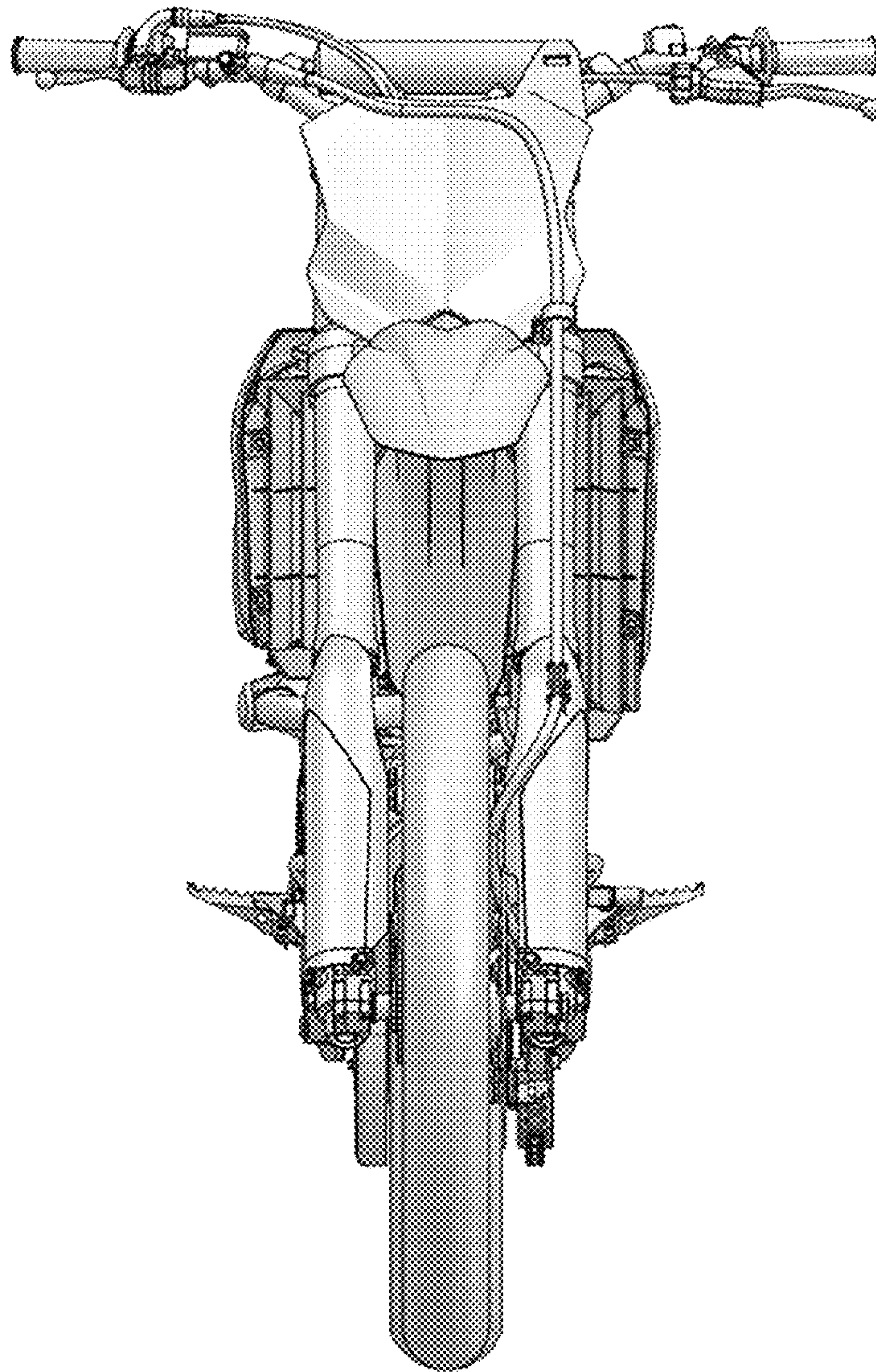
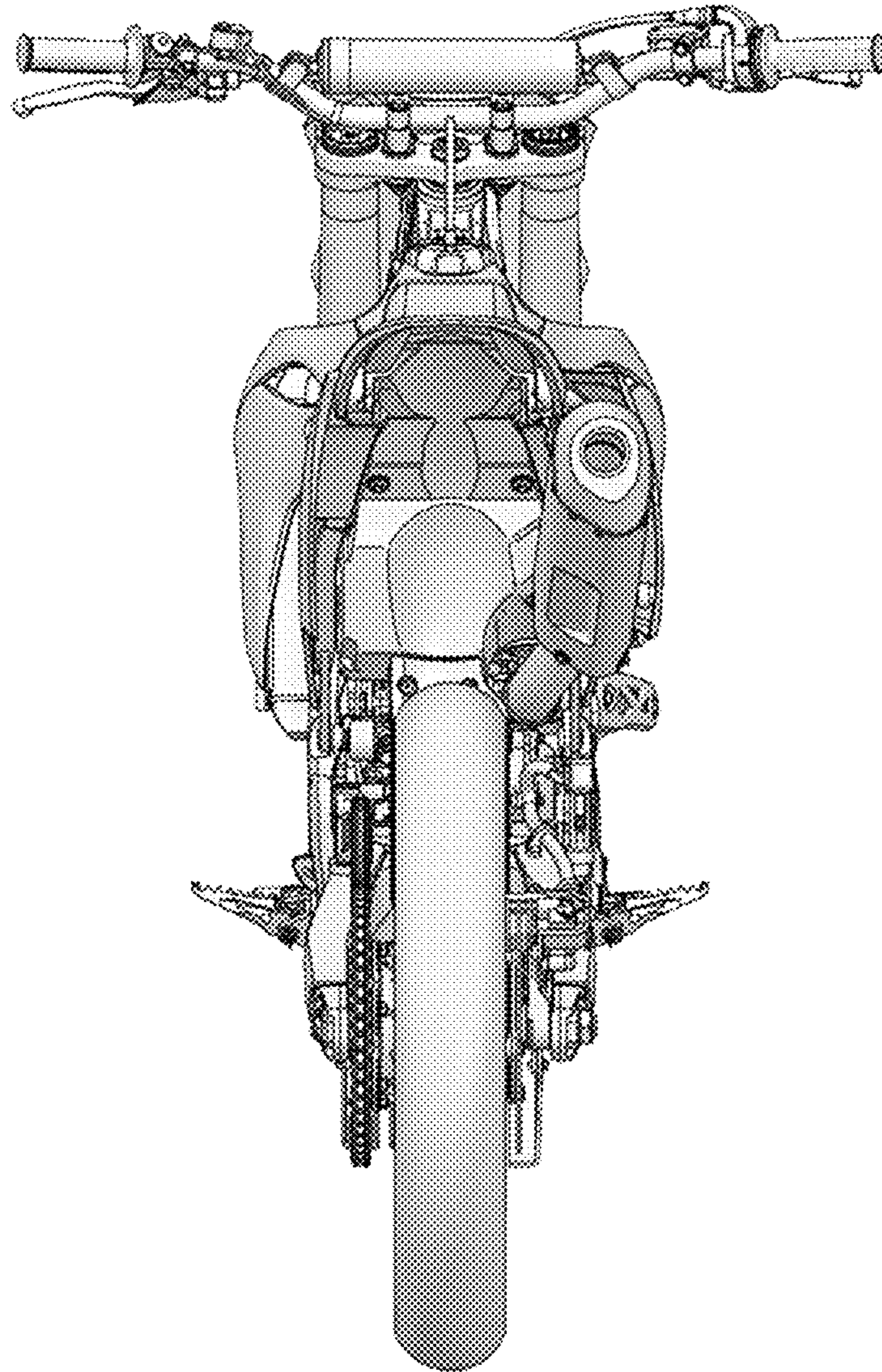


Fig. 2



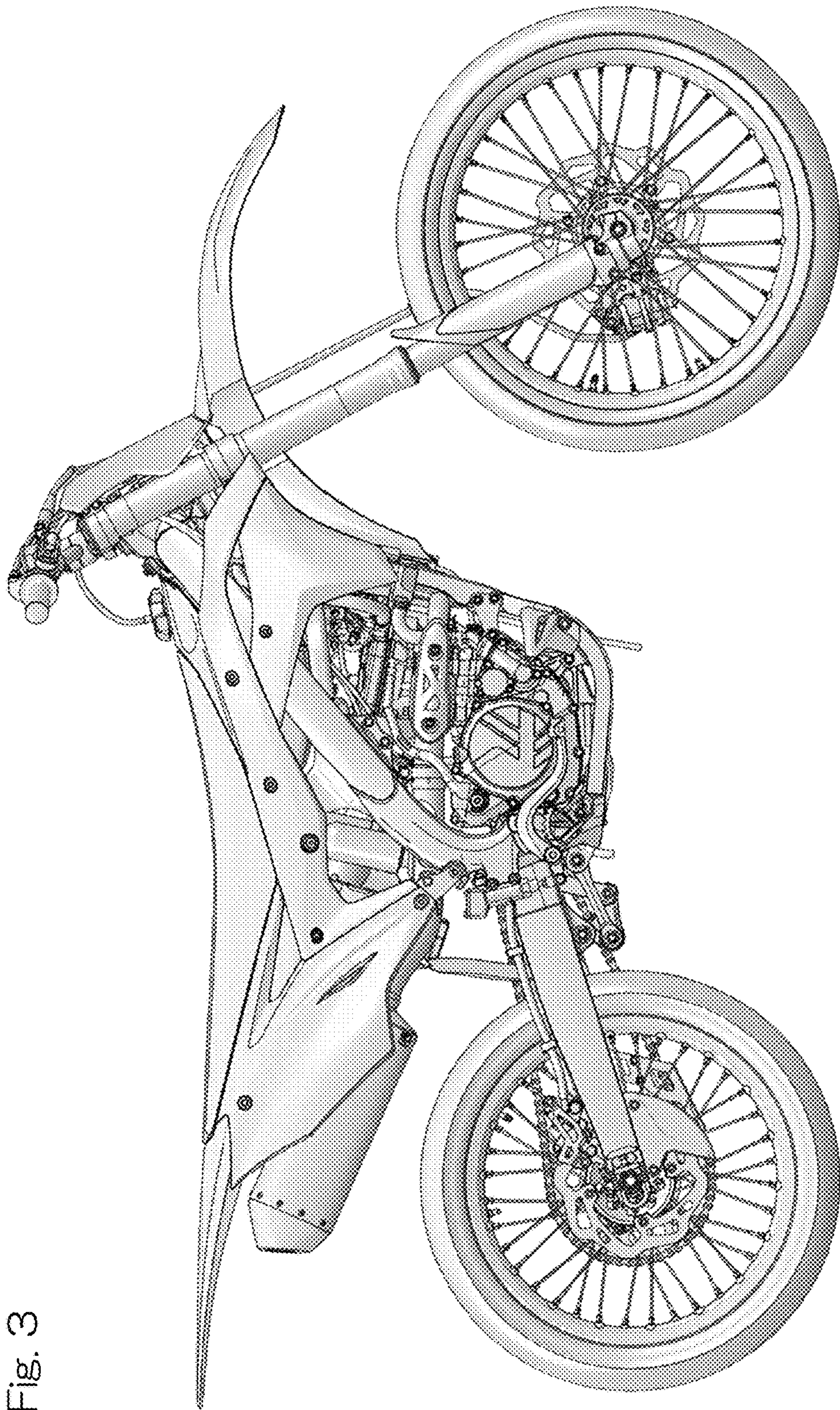


Fig. 3

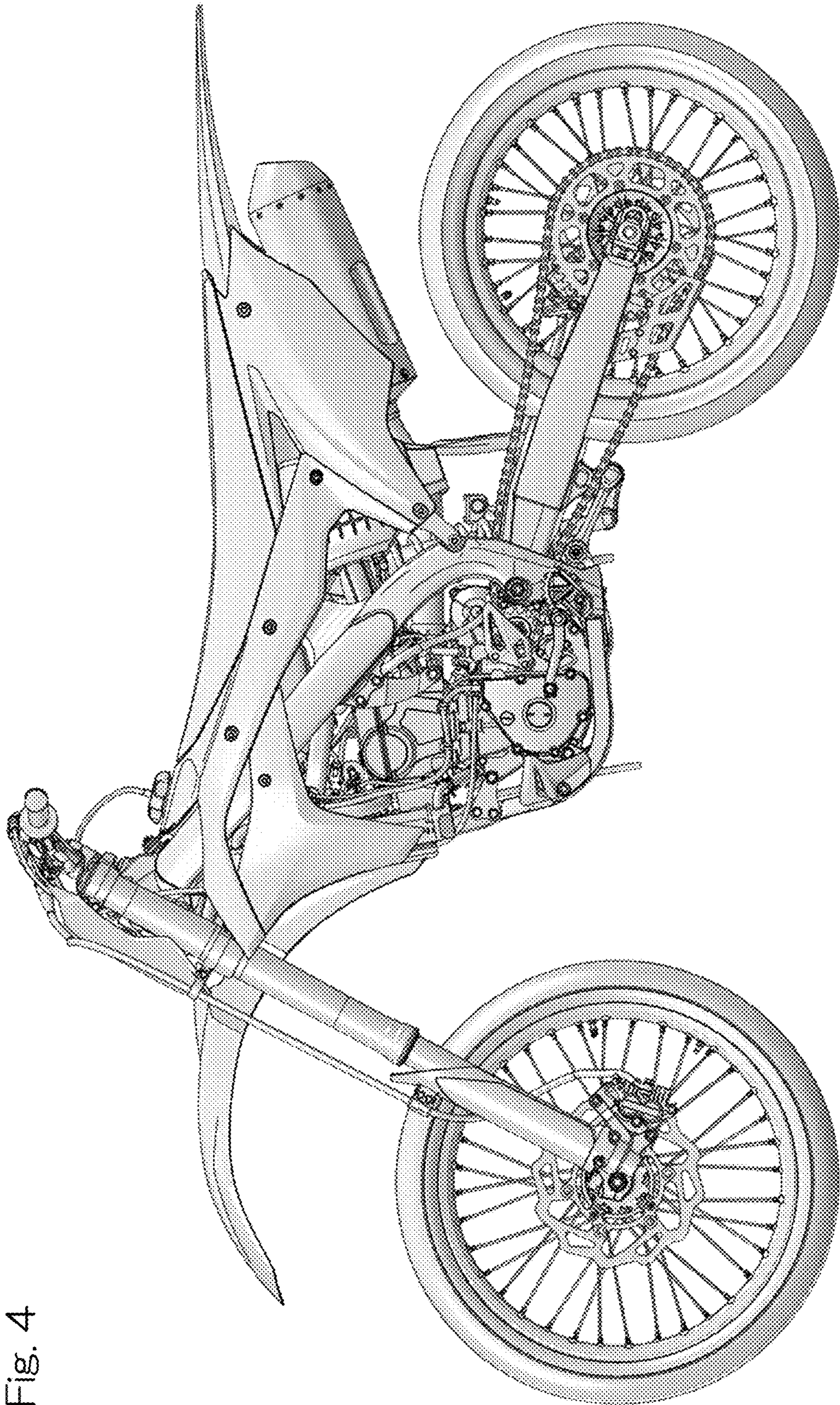
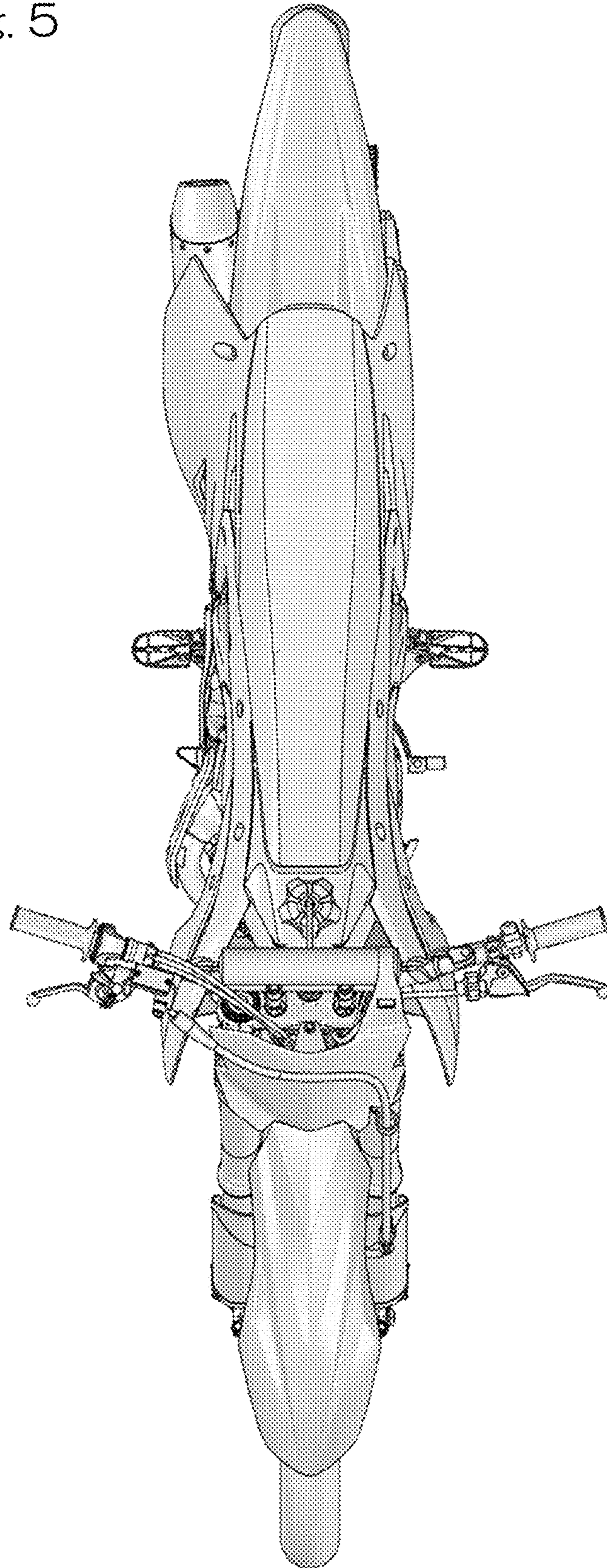


Fig. 4

Fig. 5



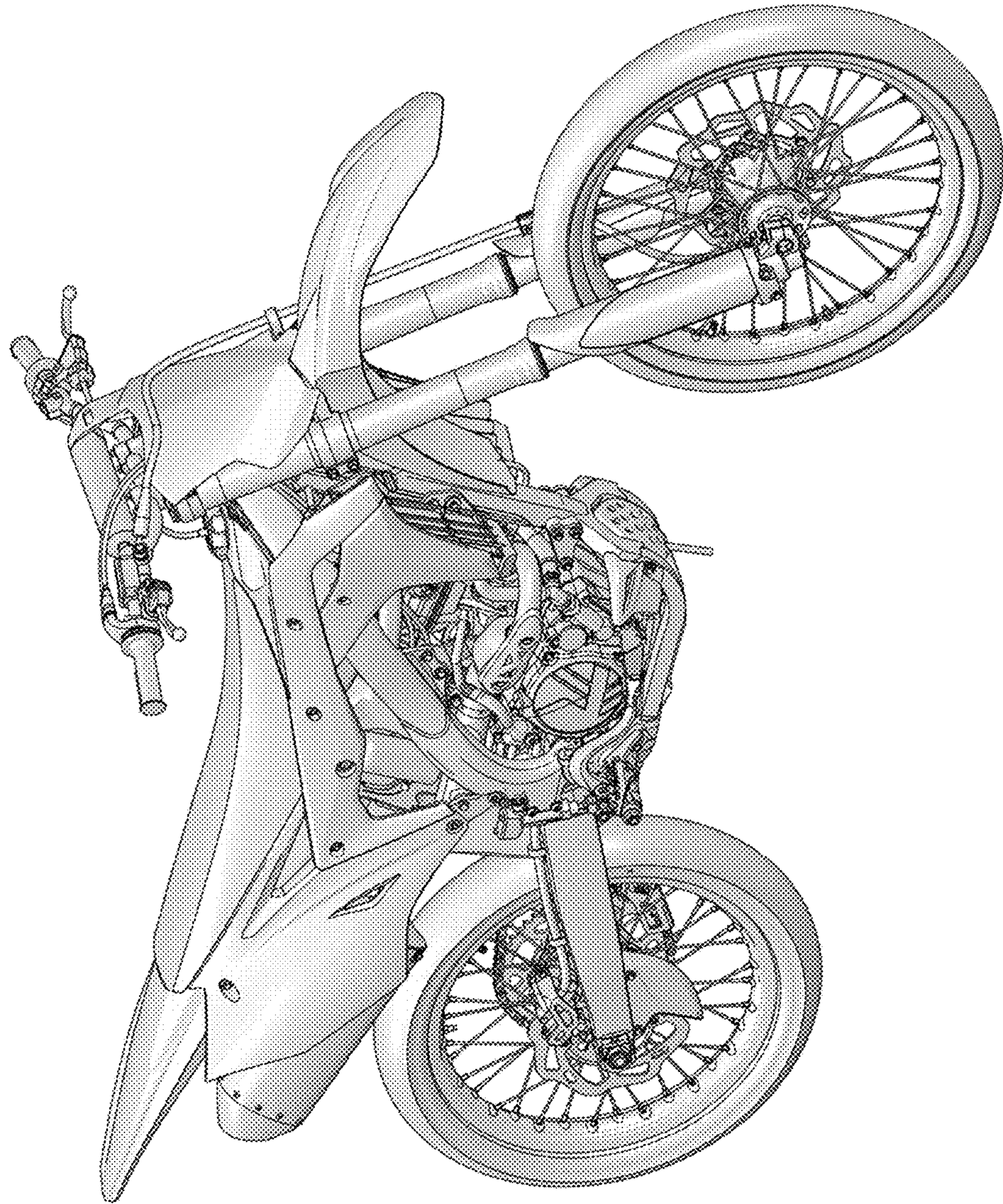


Fig. 6

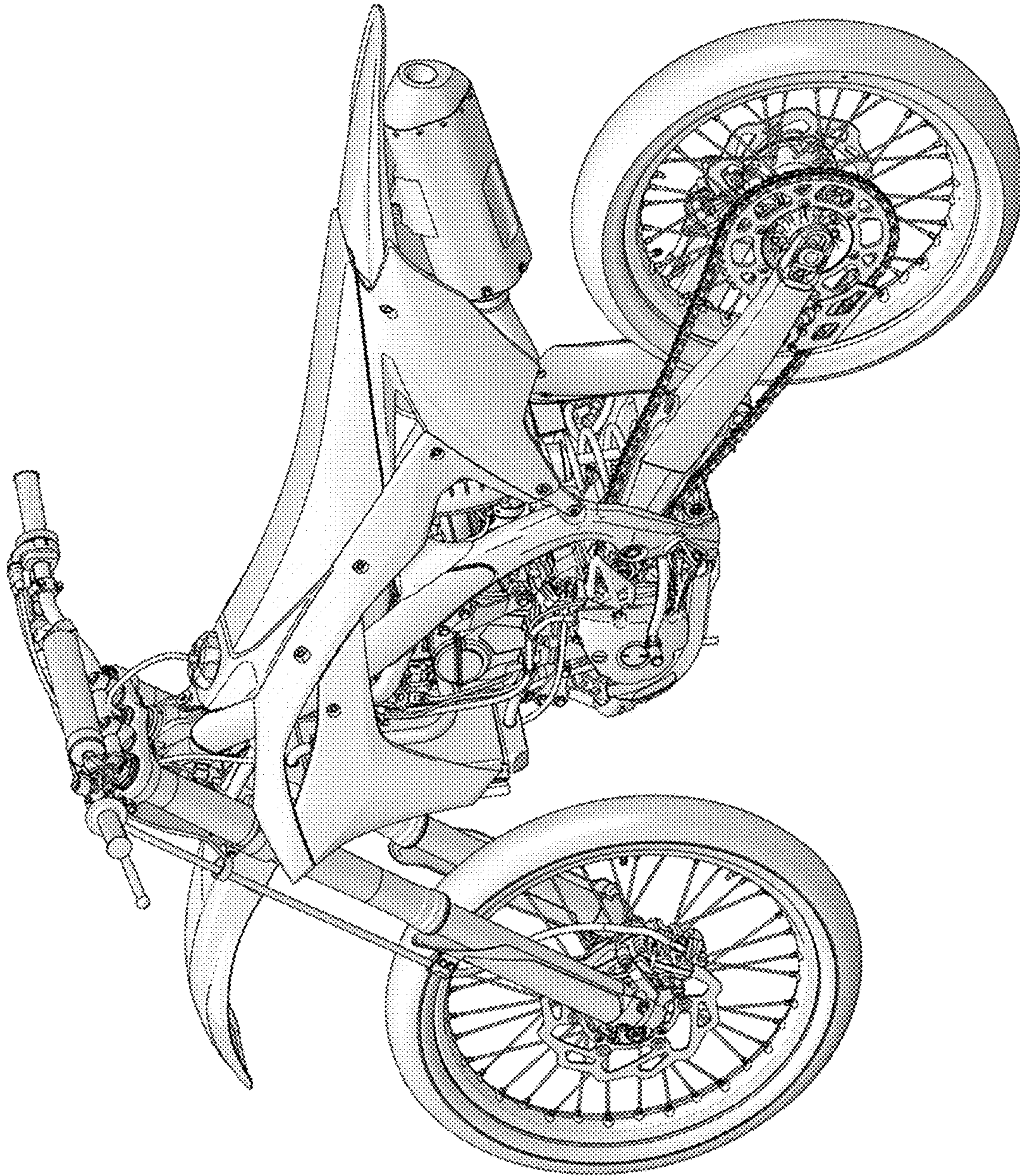


Fig. 7