



US00D809430S

(12) **United States Design Patent**
Orlovich et al.

(10) **Patent No.:** **US D809,430 S**

(45) **Date of Patent:** **** Feb. 6, 2018**

(54) **FOOD VENDING CART**

(71) Applicant: **Move Systems International, LLC**,
Long Island City, NY (US)

(72) Inventors: **Molly Orlovich**, Brooklyn, NY (US);
Mike Dubrovsky, Brooklyn, NY (US);
Cody Rickman, Brooklyn, NY (US);
James Meeks, Grand Rapids, MI (US);
Jeffrey Hoffman, New York, NY (US);
Ari Kahn, New York, NY (US); **Wael Zaid**, Jackson Heights, NY (US)

(73) Assignee: **Move Systems International, LLC**,
Long Island City, NY (US)

(**) Term: **15 Years**

(21) Appl. No.: **29/550,479**

(22) Filed: **Jan. 4, 2016**

(51) **LOC (11) Cl.** **12-10**

(52) **U.S. Cl.**
USPC **D12/105**

(58) **Field of Classification Search**
USPC D12/100–106, 19, 129, 111–112;
D21/425, 435; D34/21–26, 12, 16–19
CPC B60P 3/0257; B60P 3/1033
See application file for complete search history.

(56) **References Cited**

U.S. PATENT DOCUMENTS

D268,922 S * 5/1983 Richer D12/105
D309,124 S * 7/1990 Young D12/102

D357,214 S * 4/1995 McCaffrey D12/105
D580,071 S * 11/2008 Evans D25/10
9,352,679 B2 * 5/2016 Tollefson B60P 3/0257
D759,548 S * 6/2016 Swartz D12/105
9,469,234 B2 * 10/2016 White B60P 3/0257
9,481,283 B2 * 11/2016 Cohen B60R 13/00
D782,938 S * 4/2017 Cohen D12/93
9,751,446 B2 * 9/2017 Hixson B60P 3/0257
9,751,447 B2 * 9/2017 Lamb B60P 3/0257

* cited by examiner

Primary Examiner — Katrina A Betton

(74) *Attorney, Agent, or Firm* — Cooley LLP

(57) **CLAIM**

The ornamental designs for a food vending cart, as shown and described.

DESCRIPTION

FIG. 1 is a front view of a design of a food vending cart; FIG. 2 is a back view of the design for the food vending cart of FIG. 1; FIG. 3 is a first side view of the design for the food vending cart of FIG. 1; FIG. 4 is a top view of the design for the food vending cart of FIG. 1; FIG. 5 is a second side view of the design for the food vending cart of FIG. 1; and, FIG. 6 is a perspective view of the design for the food vending cart of FIG. 1.

1 Claim, 6 Drawing Sheets

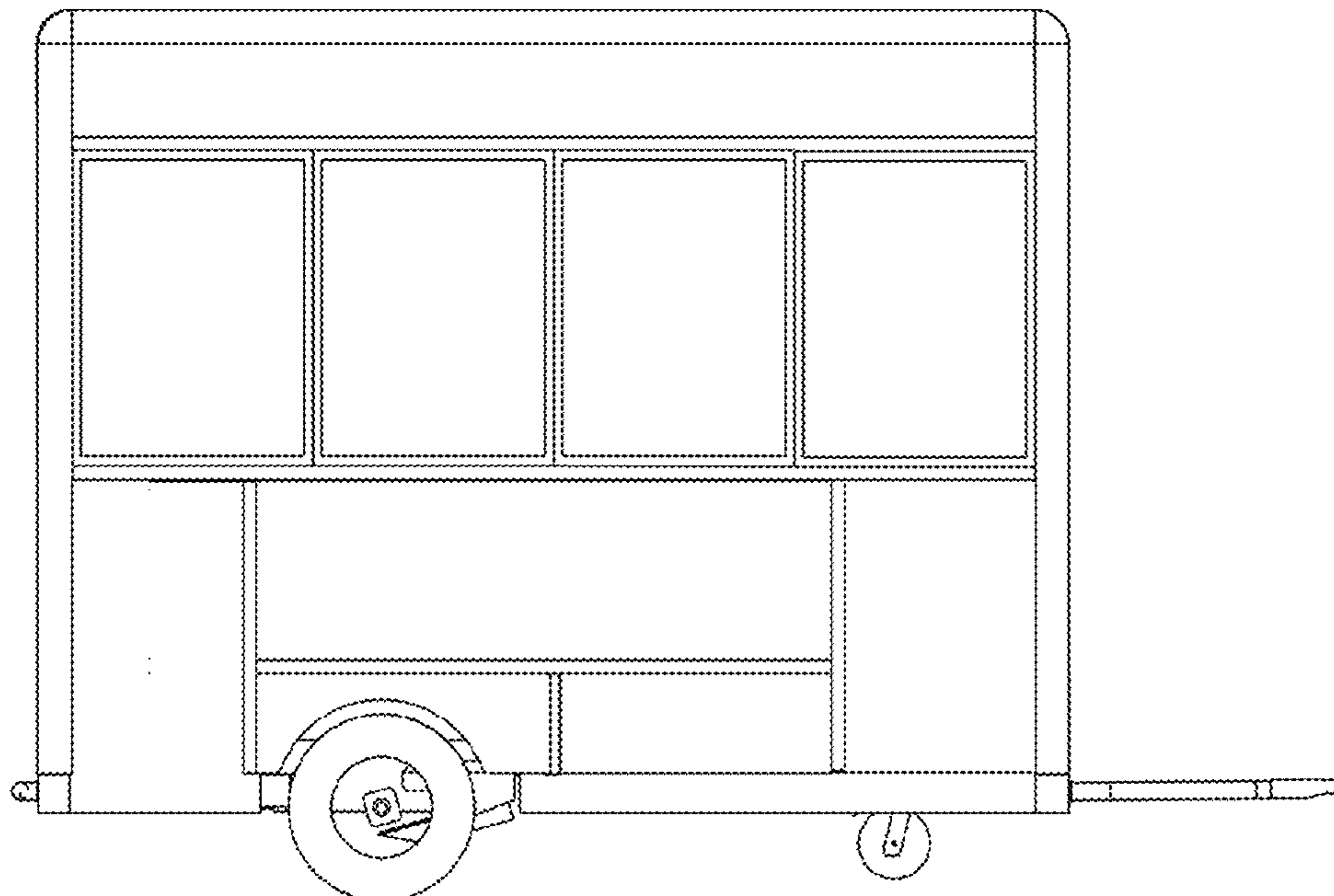


Figure 1

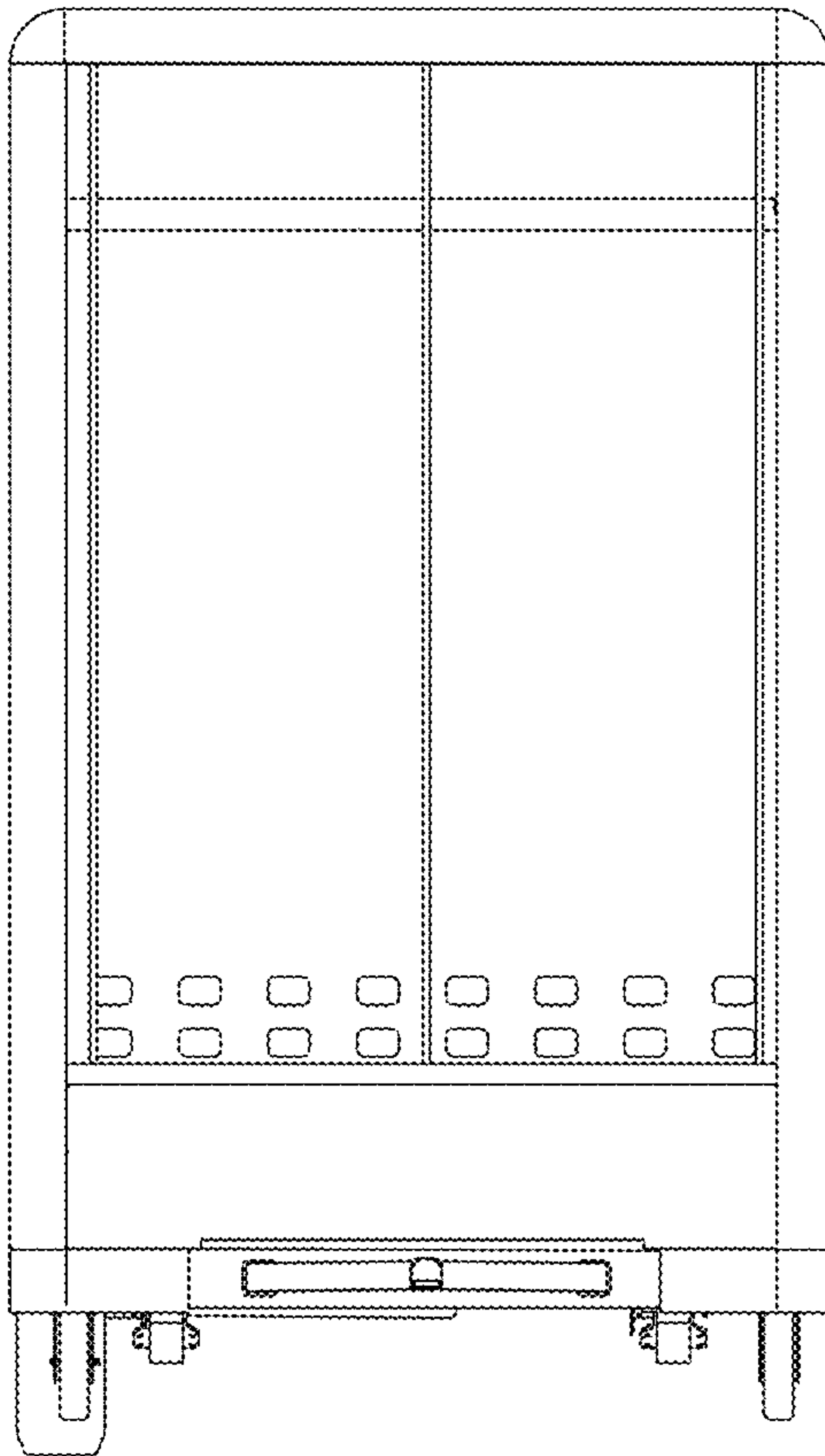


Figure 2

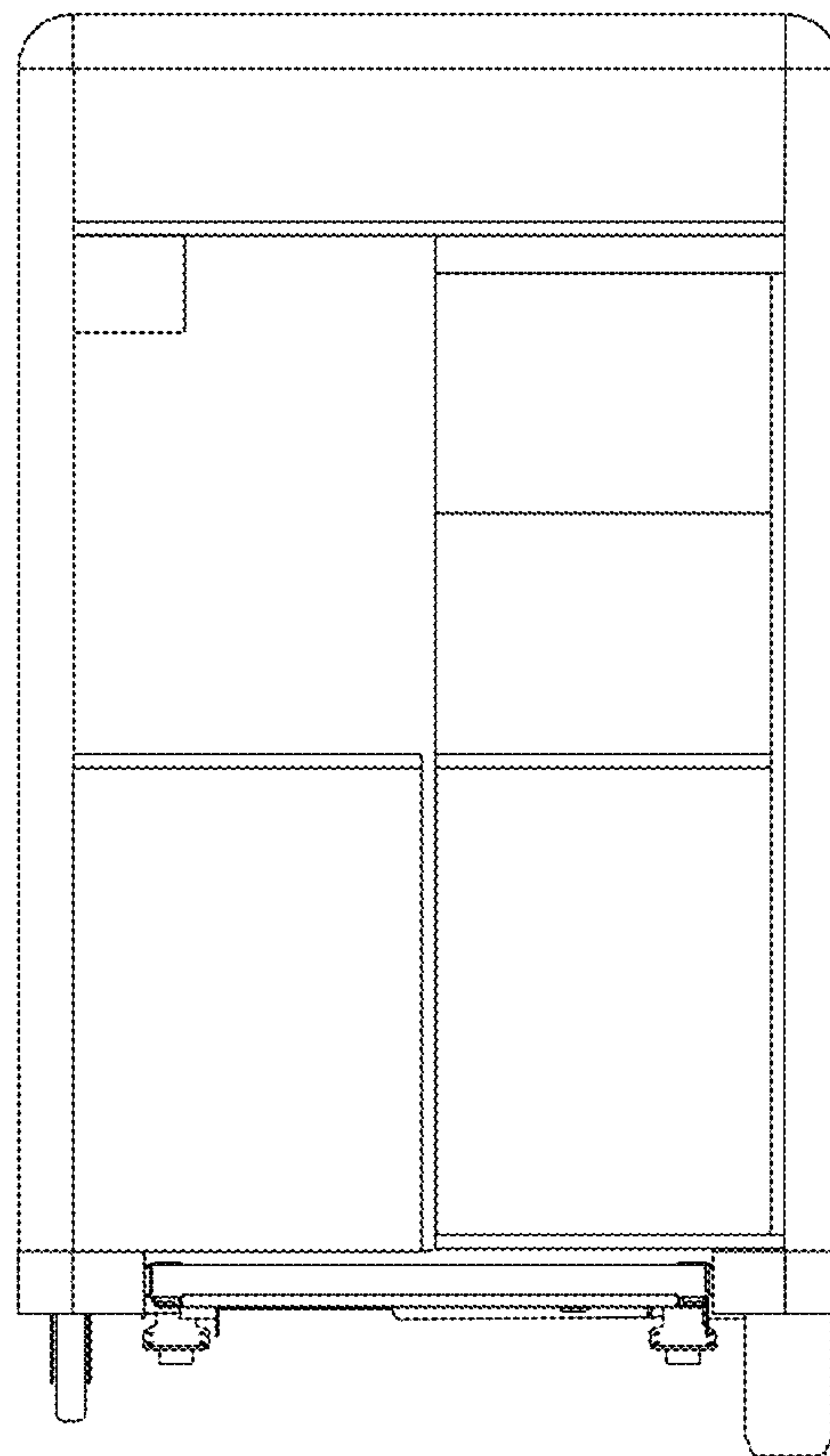


Figure 3

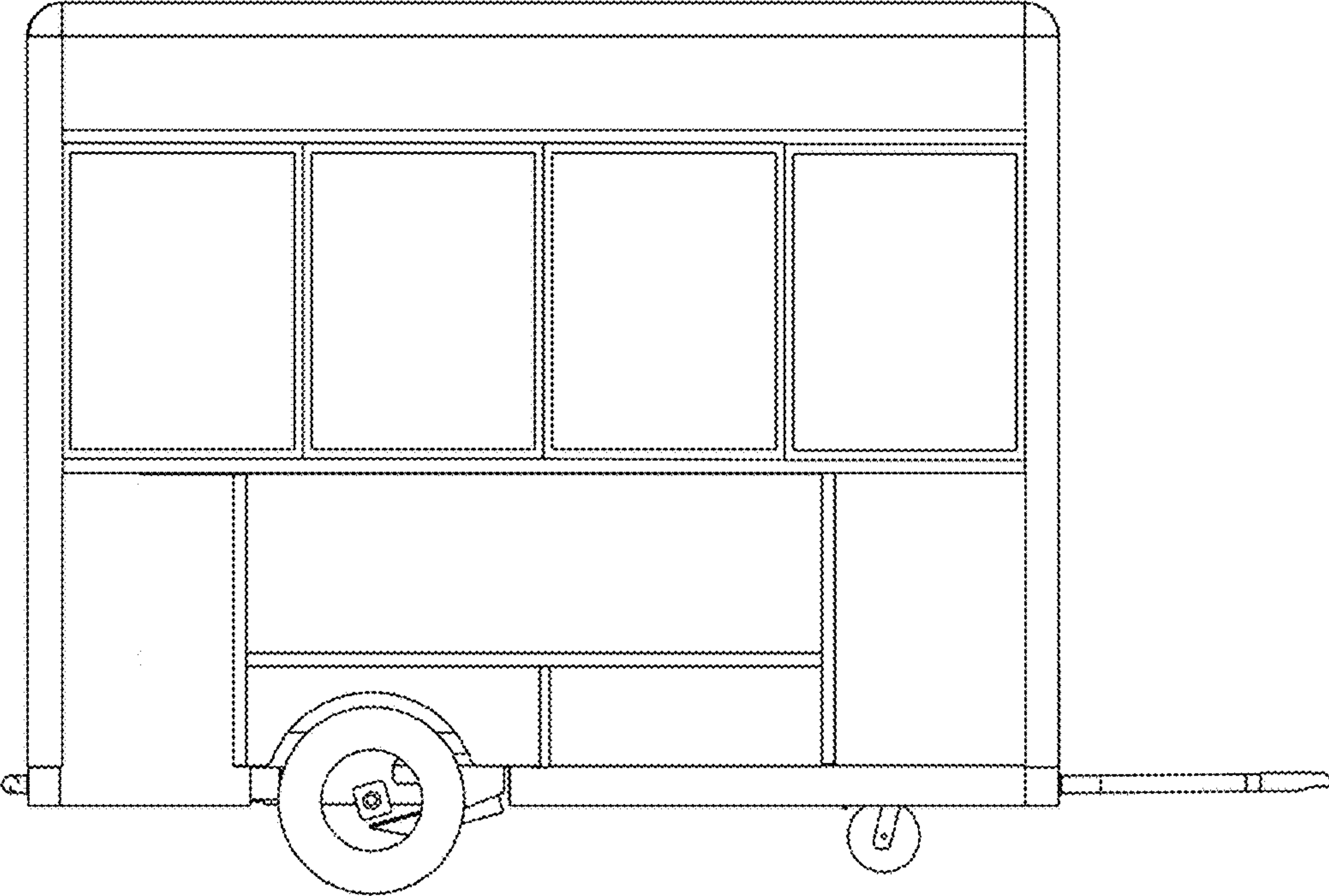


Figure 4

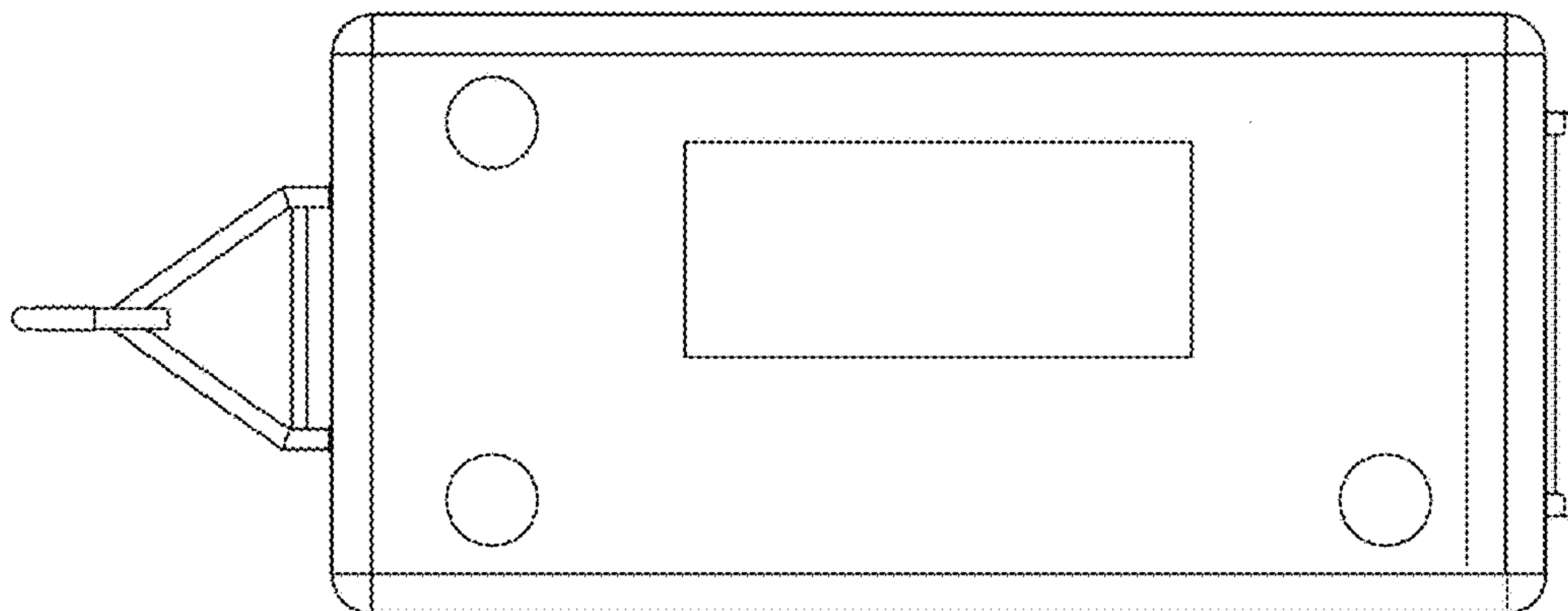


Figure 5

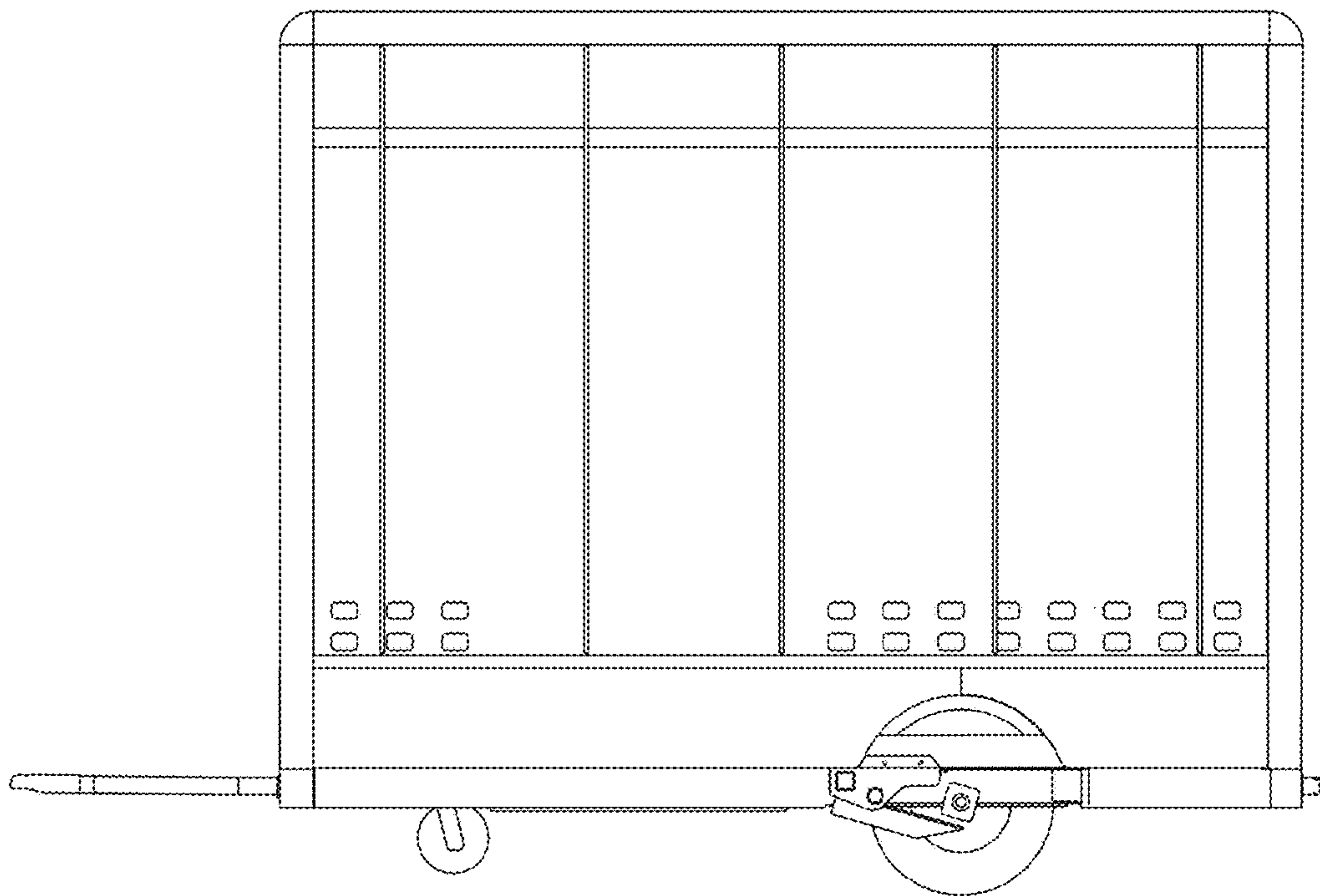


Figure 6

