



US00D809428S

(12) **United States Design Patent** (10) **Patent No.:** **US D809,428 S**
Platto et al. (45) **Date of Patent:** **** Feb. 6, 2018**

(54) **VEHICLE**

(71) Applicant: **Ford Global Technologies, LLC**,
Dearborn, MI (US)

(72) Inventors: **Gordon M. Platto**, Troy, MI (US);
Sean W. Tant, Livonia, MI (US);
William K. Moore, West Bloomfield,
MI (US); **Anthony Meyer**, Ferndale,
MI (US); **Bruce P Williams**, Grosse
Pointe Park, MI (US)

(73) Assignee: **Ford Global Technologies, LLC**,
Dearborn, MI (US)

(**) Term: **15 Years**

(21) Appl. No.: **29/588,195**

(22) Filed: **Dec. 19, 2016**

(51) **LOC (11) Cl.** **12-08**

(52) **U.S. Cl.**
USPC **D12/98**

(58) **Field of Classification Search**
USPC D12/90-92, 98, 164, 169, 196;
296/181.1-181.5; D21/548, 560
CPC B60Y 2306/01; B60K 11/085
See application file for complete search history.

(56) **References Cited**

U.S. PATENT DOCUMENTS

D500,968 S * 1/2005 Metros D12/98
D515,462 S * 2/2006 Metros D12/98
D600,595 S * 9/2009 Nakamura D12/98
D601,925 S * 10/2009 O'Donnell D12/98

D607,783 S * 1/2010 Roller D12/98
D645,798 S * 9/2011 Sato D12/164
D700,871 S * 3/2014 O'Donnell D12/98
D703,586 S * 4/2014 Platto D12/98
D718,190 S 11/2014 Platto
D718,674 S * 12/2014 Sperling D12/164
D732,435 S * 6/2015 Mackay D12/98
D735,082 S * 7/2015 Sperling D12/98
D755,083 S * 5/2016 Gillam D12/98
D764,980 S * 8/2016 Platto D12/98
D764,982 S 8/2016 Platto
D764,983 S 8/2016 Platto
2013/0175818 A1 * 7/2013 Bates B62D 33/04
296/10

* cited by examiner

Primary Examiner — John Windmuller

Assistant Examiner — Melvin L Davis

(74) *Attorney, Agent, or Firm* — James Dottavio

(57) **CLAIM**

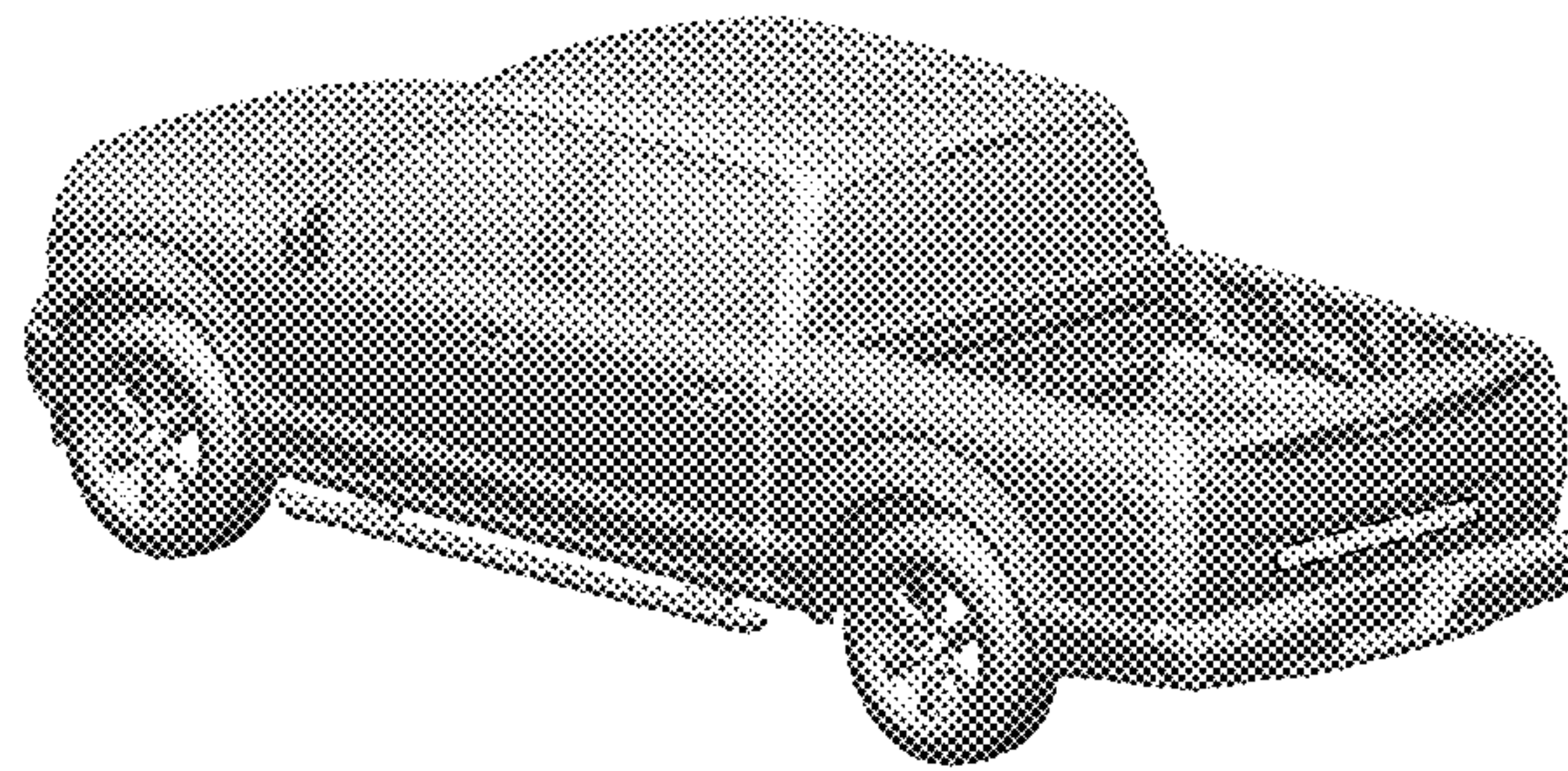
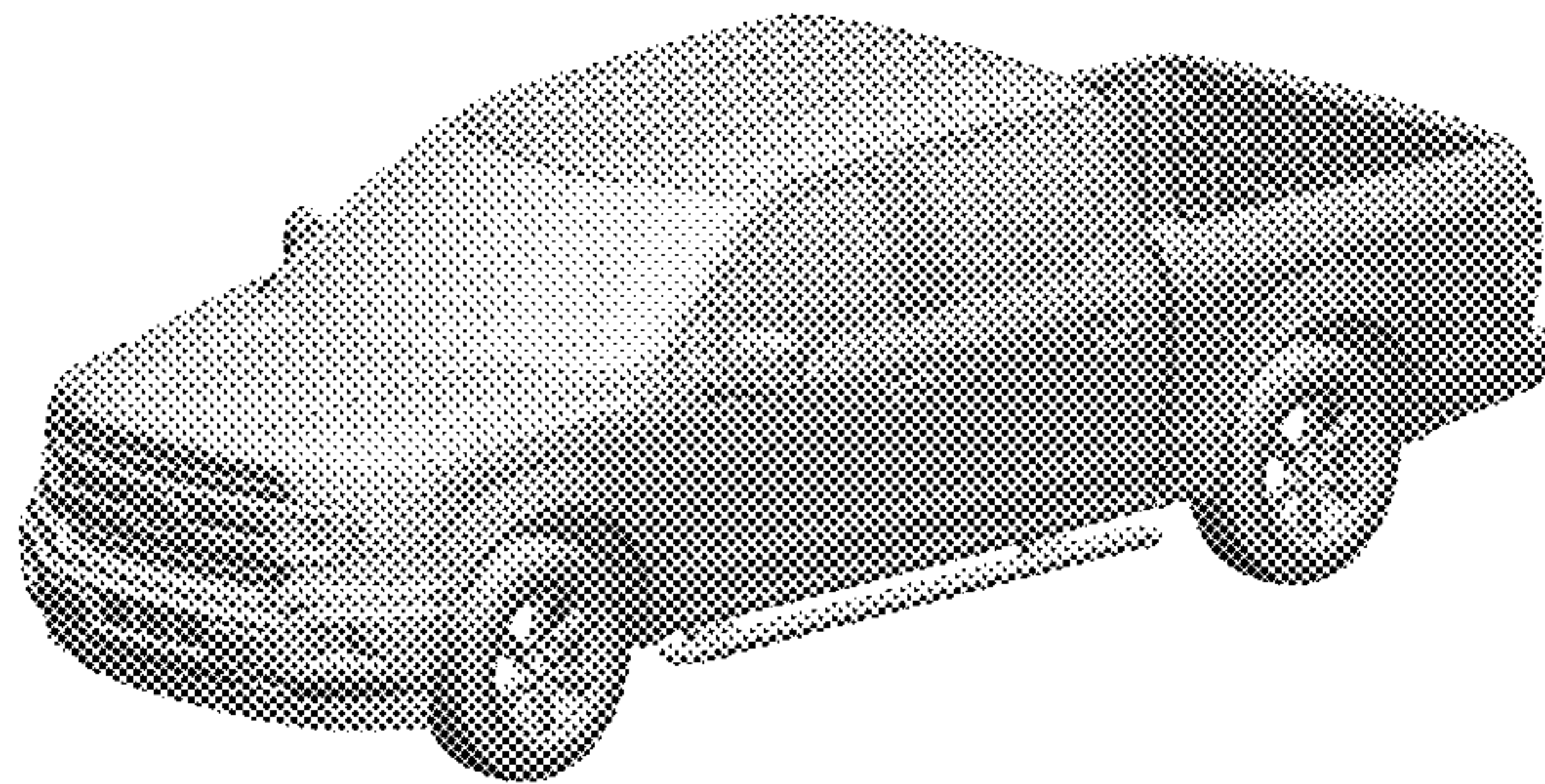
The ornamental design for a vehicle, as shown and described.

DESCRIPTION

FIG. 1 is a front, and left side perspective view of a vehicle exterior;
FIG. 2 is a rear, and left side perspective view thereof;
FIG. 3 is a front elevational view thereof;
FIG. 4 is a rear elevational view thereof;
FIG. 5 is a left side elevational view thereof;
FIG. 6 is a right side elevational view thereof; and,
FIG. 7 is a top plan view thereof.

Any broken lines represent a boundary of the design; the line itself and the area within form no part of the claim.

1 Claim, 7 Drawing Sheets



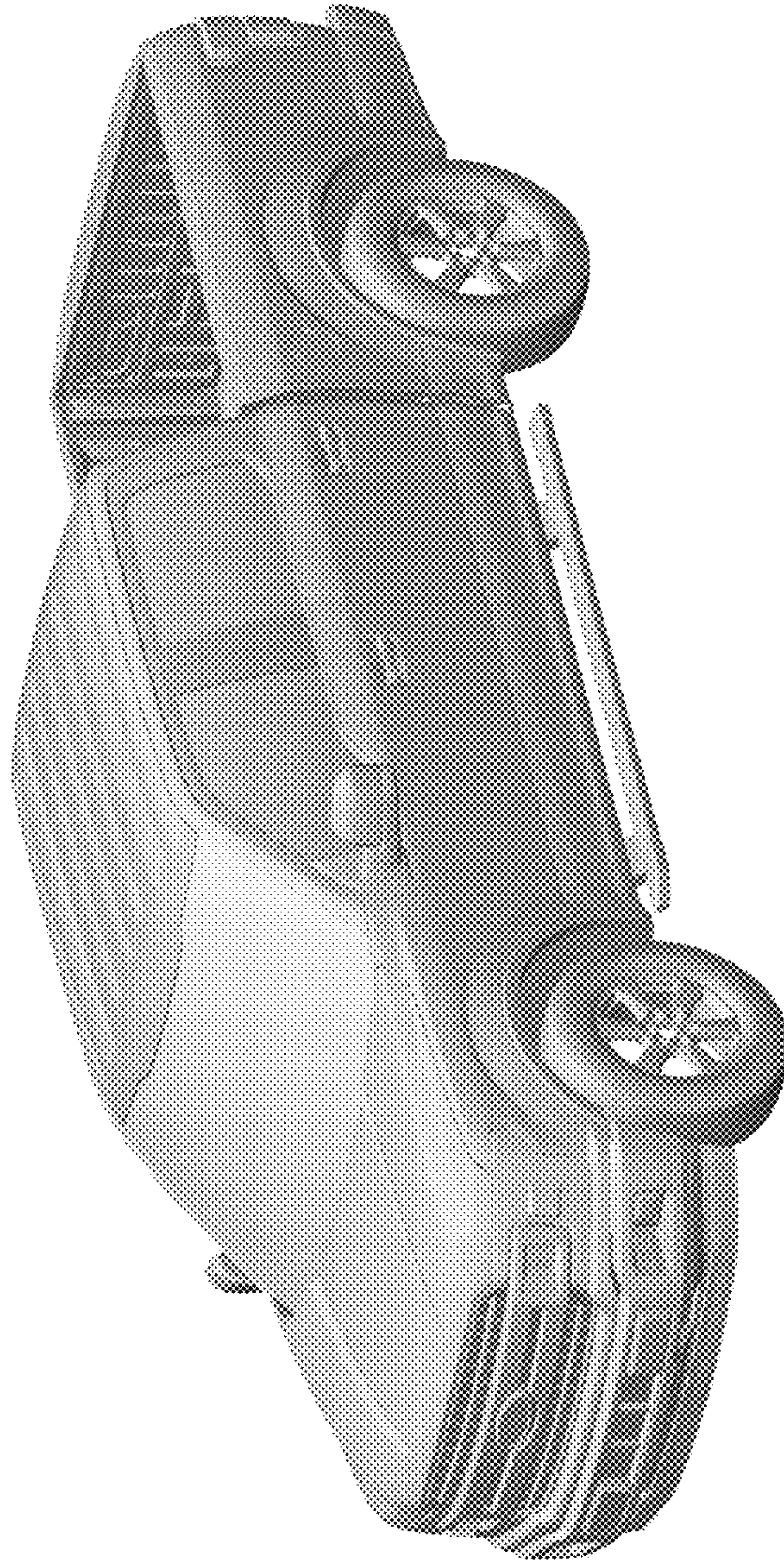


Figure 1

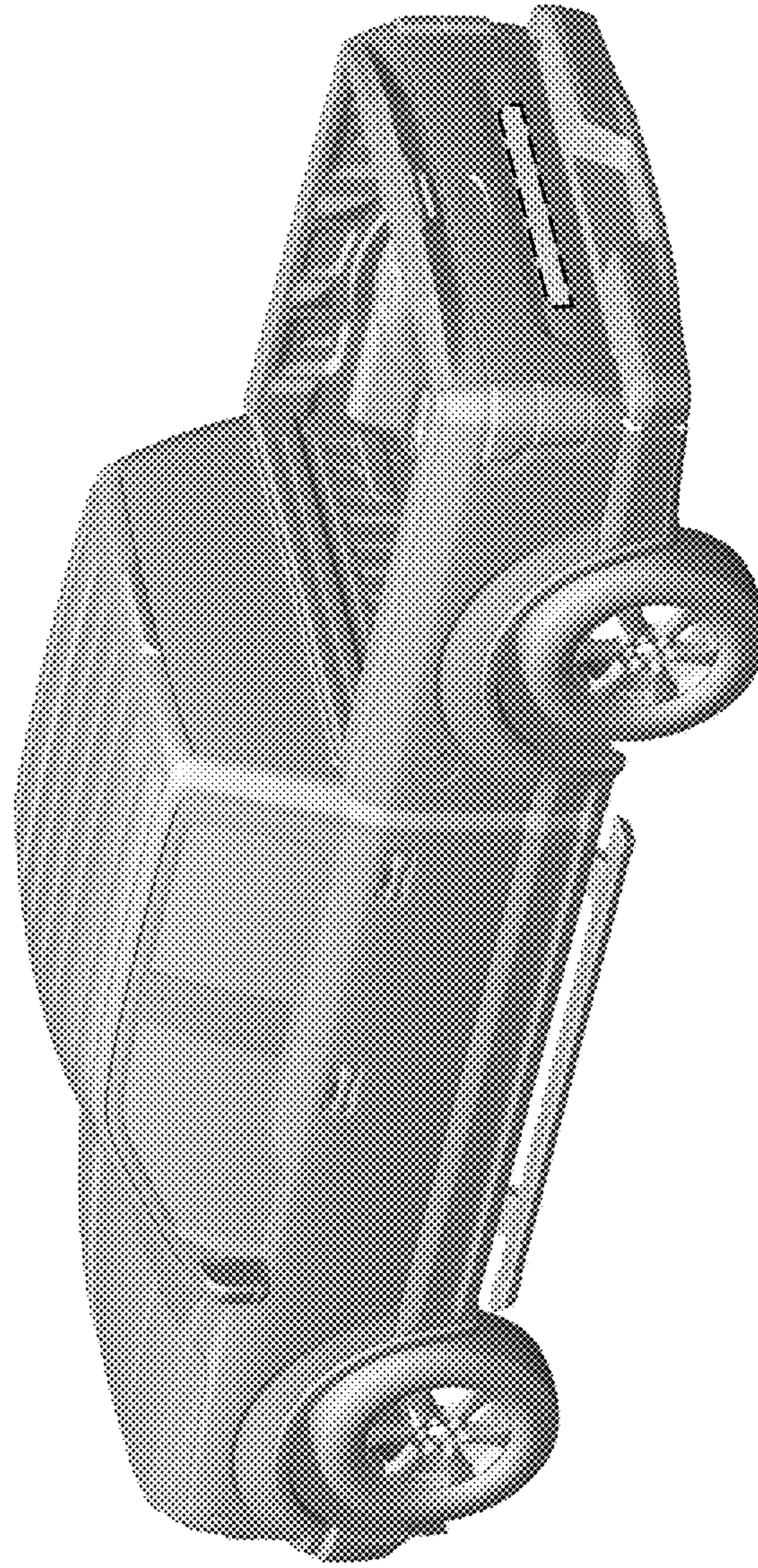


Figure 2

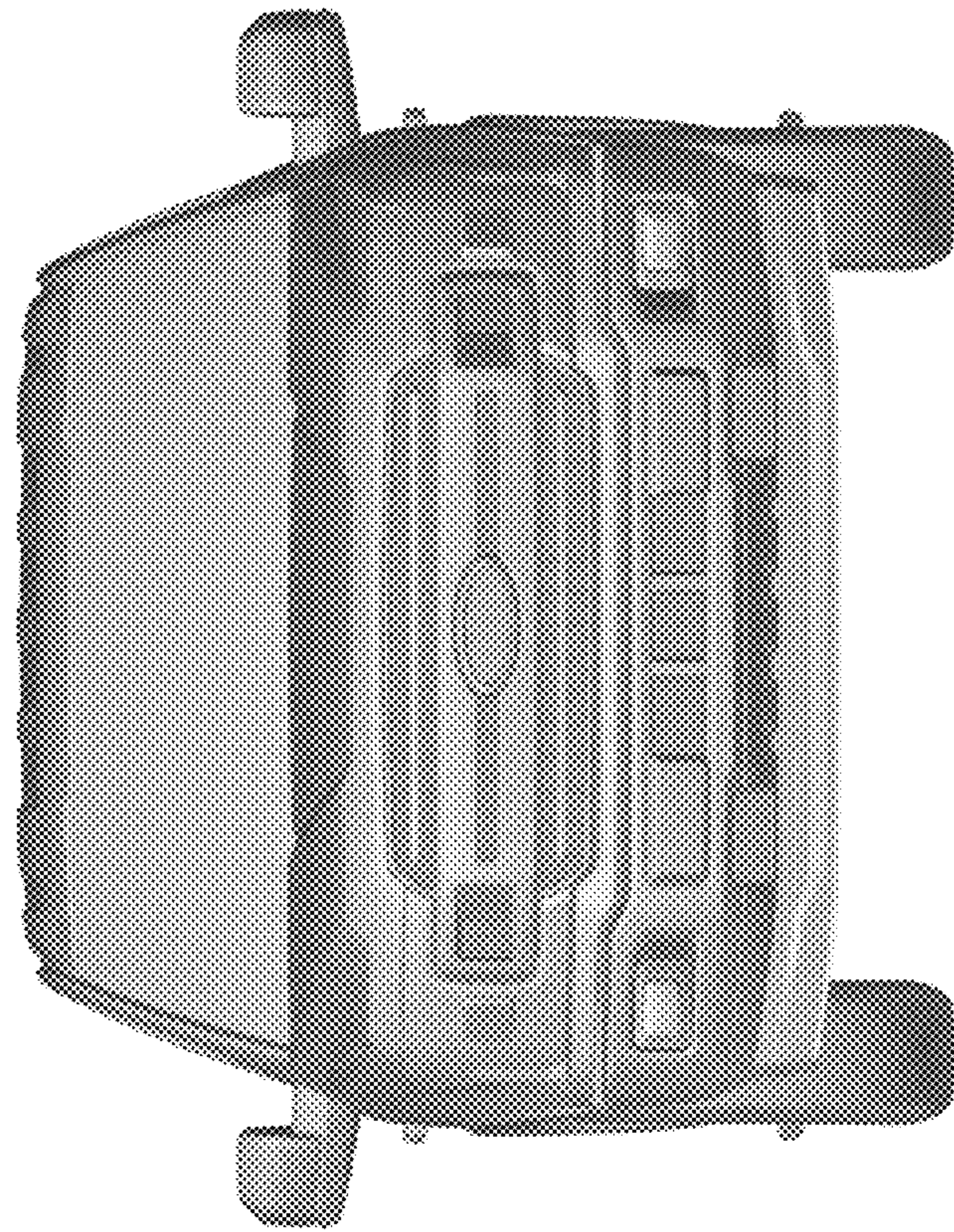


Figure 3

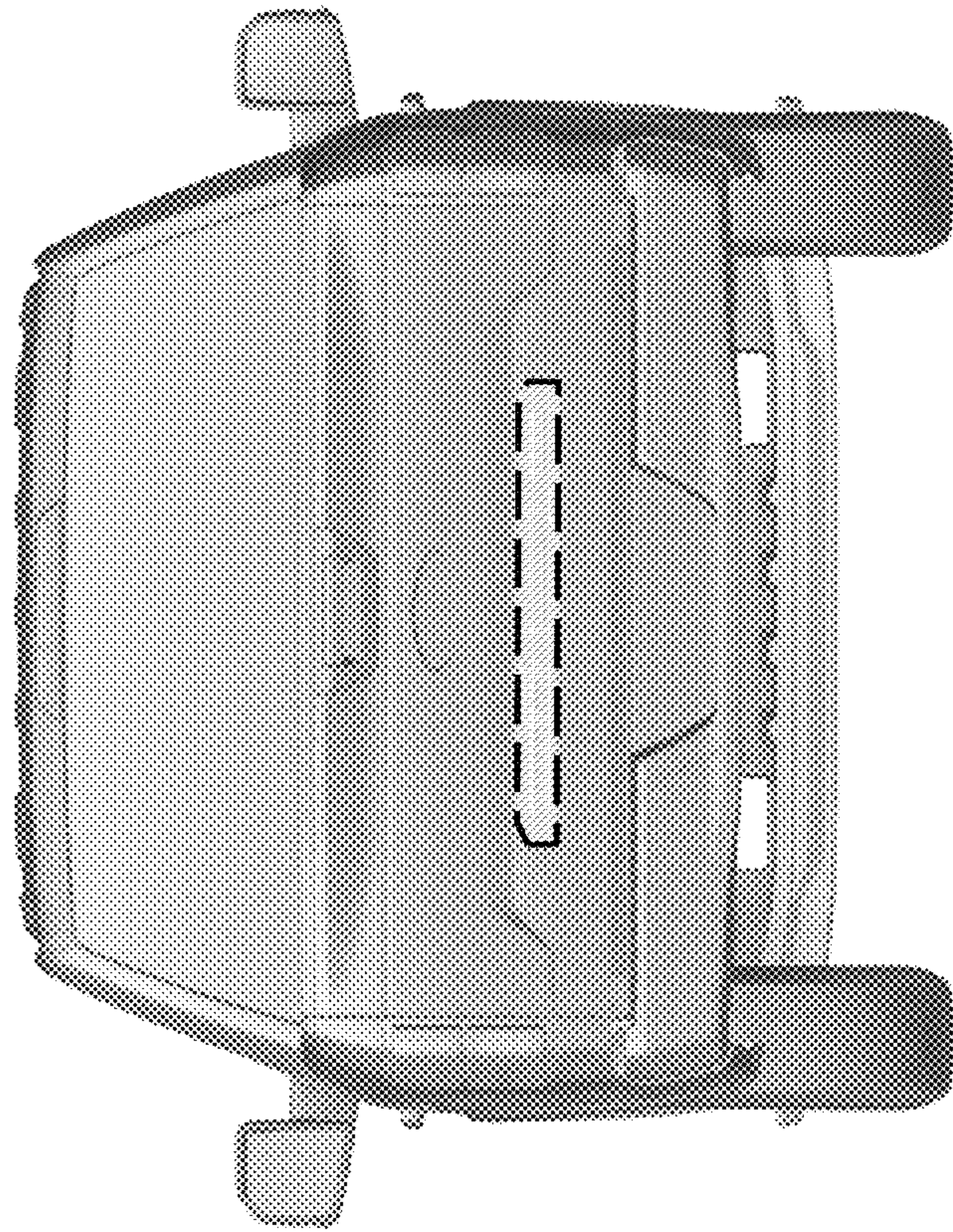


Figure 4



Figure 5



Figure 6



Figure 7