



US00D809427S

(12) **United States Design Patent**
Hein

(10) **Patent No.:** **US D809,427 S**

(45) **Date of Patent:** **** Feb. 6, 2018**

- (54) **STANDING RIDER GOLF CART**
- (71) Applicant: **Palmdale LLC**, Apex, NC (US)
- (72) Inventor: **Joshua Hein**, Apex, NC (US)
- (**) Term: **15 Years**

(21) Appl. No.: **29/547,441**

(22) Filed: **Dec. 3, 2015**

(51) **LOC (11) Cl.** **12-02**

(52) **U.S. Cl.**
USPC **D12/16**

(58) **Field of Classification Search**
USPC D6/362; D12/1, 14, 16, 82, 86, 87, 88,
D12/92, 96, 107, 112, 113, 164, 173;
D15/10; D21/551, 556, 559; D34/15
CPC B62D 51/04; B62D 51/02; B62D 51/00;
B62K 5/04; B62K 5/00; B62K 3/00;
B62K 3/002; B62K 5/027; B62B 5/00;
B62B 5/08; B62B 5/0026; B60L 11/1877
See application file for complete search history.

(56) **References Cited**

U.S. PATENT DOCUMENTS

- 3,608,659 A * 9/1971 Gardner B62B 5/0026
180/19.3
- 4,538,695 A * 9/1985 Bradt B60L 11/1805
180/19.2
- 4,767,133 A * 8/1988 Yamada B60G 9/02
280/124.111
- 4,874,055 A * 10/1989 Beer B62B 5/0026
180/19.2
- 6,565,105 B2 * 5/2003 Lin B60G 9/02
280/124.111
- D528,044 S * 9/2006 Ichikawa D12/107
- D596,821 S * 7/2009 Reimers D34/15
- D776,204 S * 1/2017 van den Berg D12/112
- D778,369 S * 2/2017 Douma D12/87

- 2004/0262871 A1* 12/2004 Schreuder B60P 3/007
280/87.1
- 2010/0065361 A1* 3/2010 Nam B60W 30/04
180/211
- 2012/0118657 A1* 5/2012 Liao A63B 55/61
180/208
- 2012/0247845 A1* 10/2012 Webb B60K 17/28
180/65.1

OTHER PUBLICATIONS

Caruca HD, posted at Youtube.com, posted on Mar. 31, 2016, [online], [site visited Feb. 21, 2017]. Available from Internet, <<https://www.youtube.com/watch?v=dcP6ypKXi-w>>.*

(Continued)

Primary Examiner — Mary Ann Calabrese

Assistant Examiner — Catherine Ho

(74) *Attorney, Agent, or Firm* — Daniel Becker, Attorney at Law

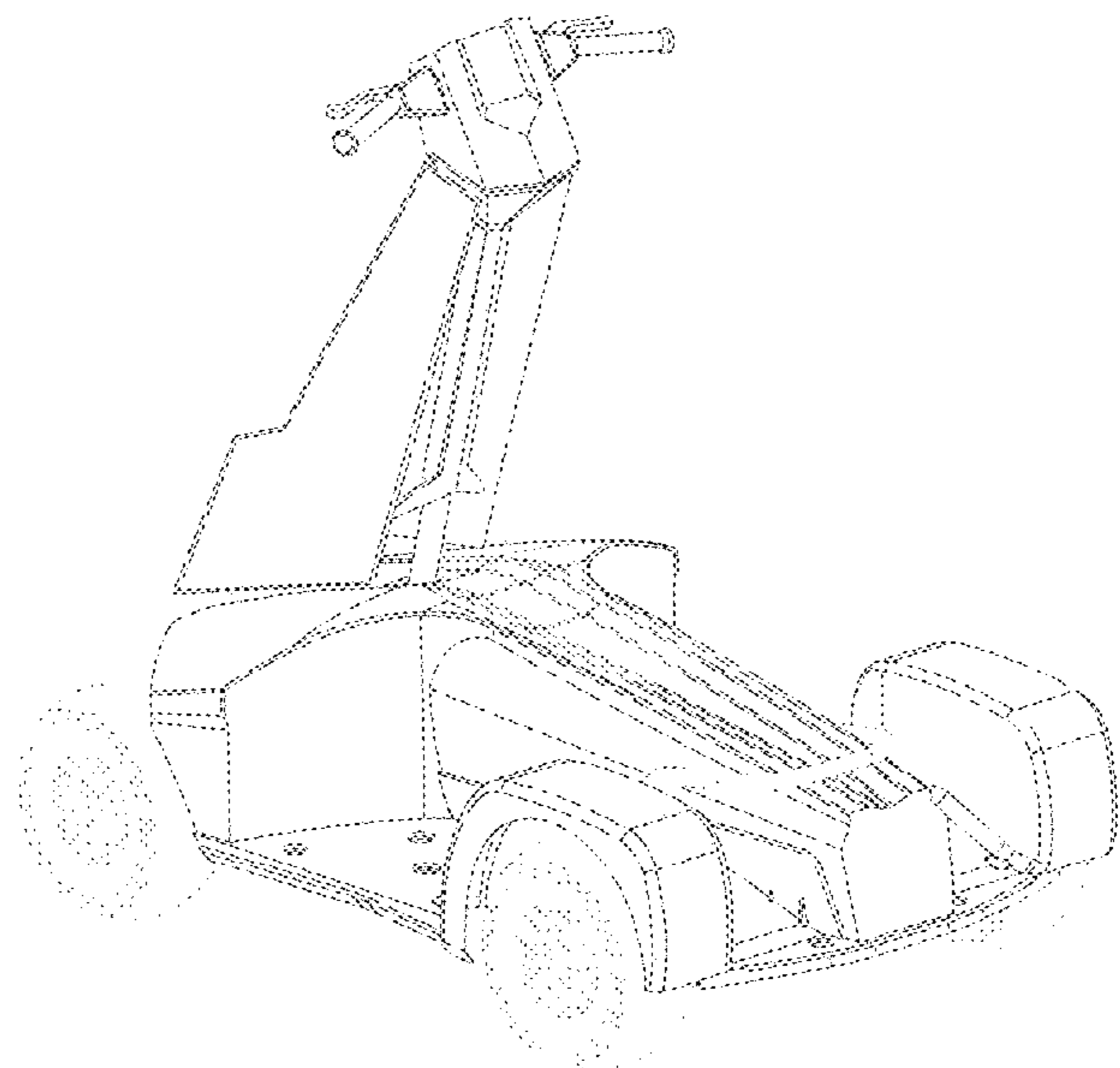
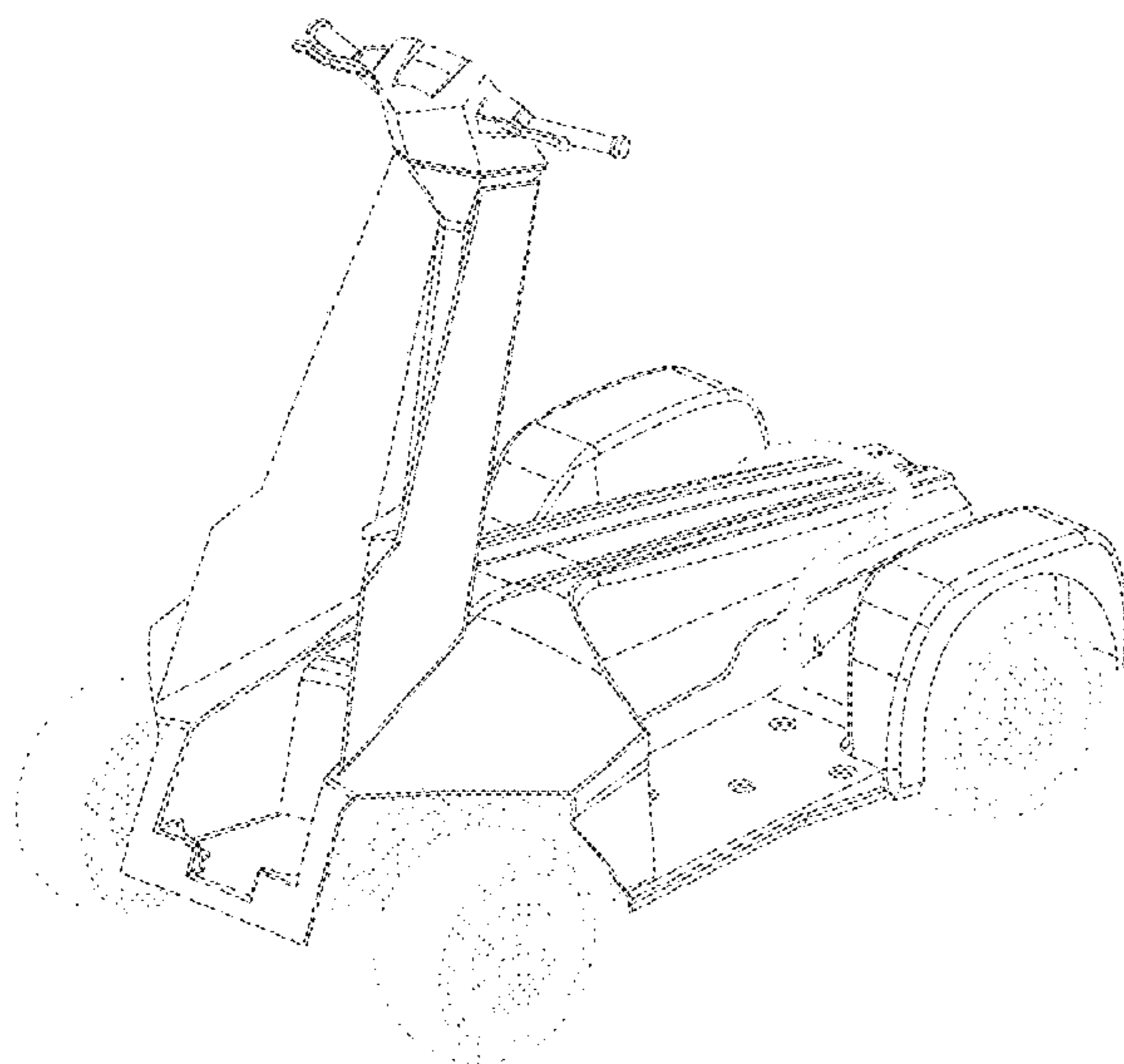
(57) **CLAIM**

I claim the ornamental design for a standing rider golf cart, as shown and described.

DESCRIPTION

FIG. 1 is a high angle front quarter perspective view of a standing rider golf cart;
FIG. 2 is a high angle rear quarter perspective view of a standing rider golf cart;
FIG. 3 is a side elevation view of a standing rider golf cart;
FIG. 4 is a rear elevation view of a standing rider golf cart;
FIG. 5 is a front elevation view of a standing rider golf cart;
and,
FIG. 6 is an overhead plan view of a standing rider golf cart. The broken line portion of the figure drawings is included to show portions of the article that form no part of the claimed design.

1 Claim, 6 Drawing Sheets



(56)

References Cited

OTHER PUBLICATIONS

Golf Board, posted at Youtube.com, posted on Aug. 15, 2013, [online], [site visited Feb. 21, 2017]. Available from Internet, <<https://www.youtube.com/watch?v=kfvOoSSh94Q>>.*

Fairway Rider, posted at Youtube.com, posted on Aug. 28, 2013, [online], [site visited Feb. 21, 2017]. Available from Internet, <<https://www.youtube.com/watch?v=9S5uLfQe8YY>>.*

Golf on a Segway, posted at Youtube.com, posted on Nov. 9, 2011, [online], [site visited Feb. 21, 2017]. Available from Internet, <<https://www.youtube.com/watch?v=0Z1wOxdmIro>>.*

* cited by examiner

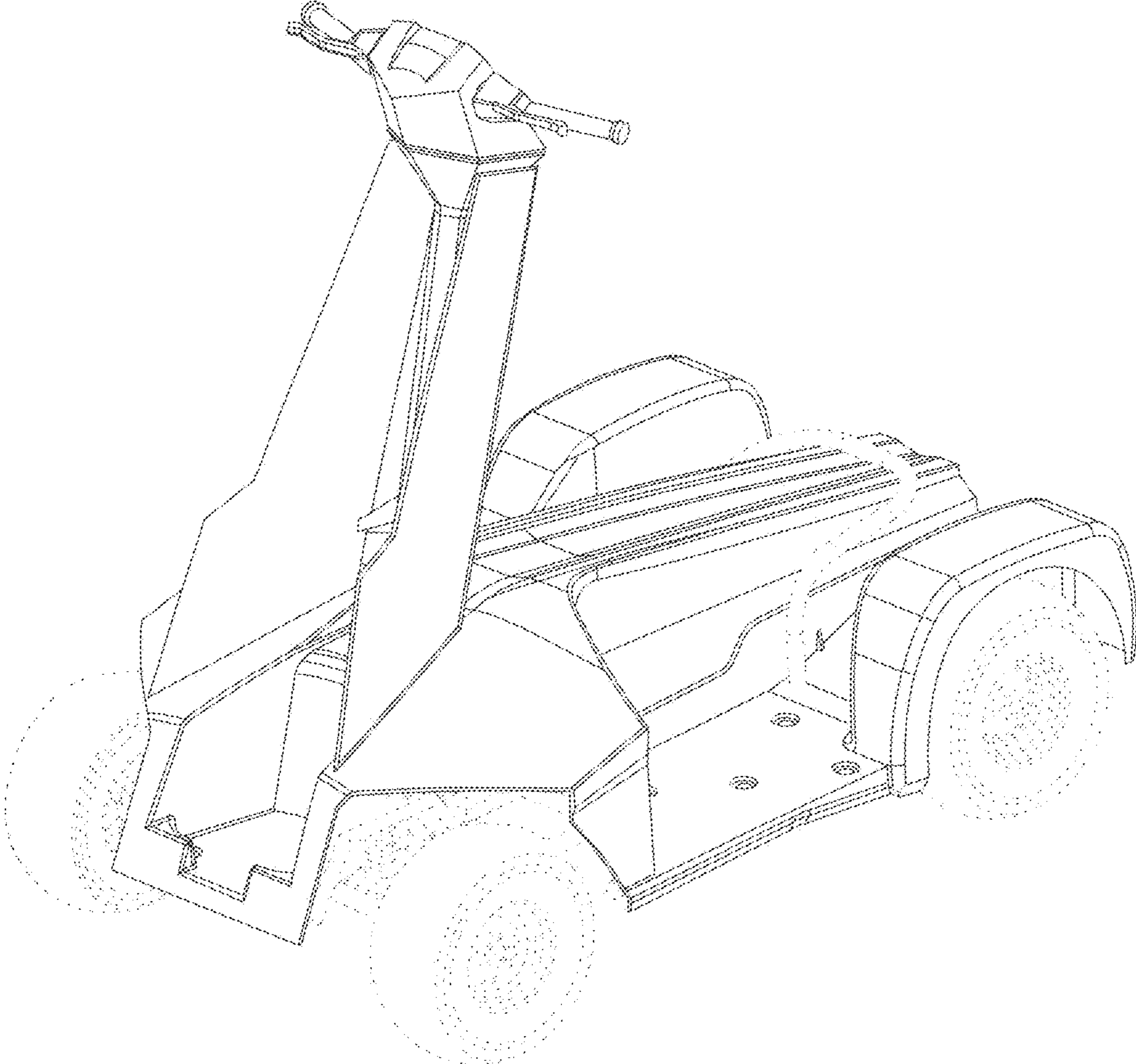


FIG. 1

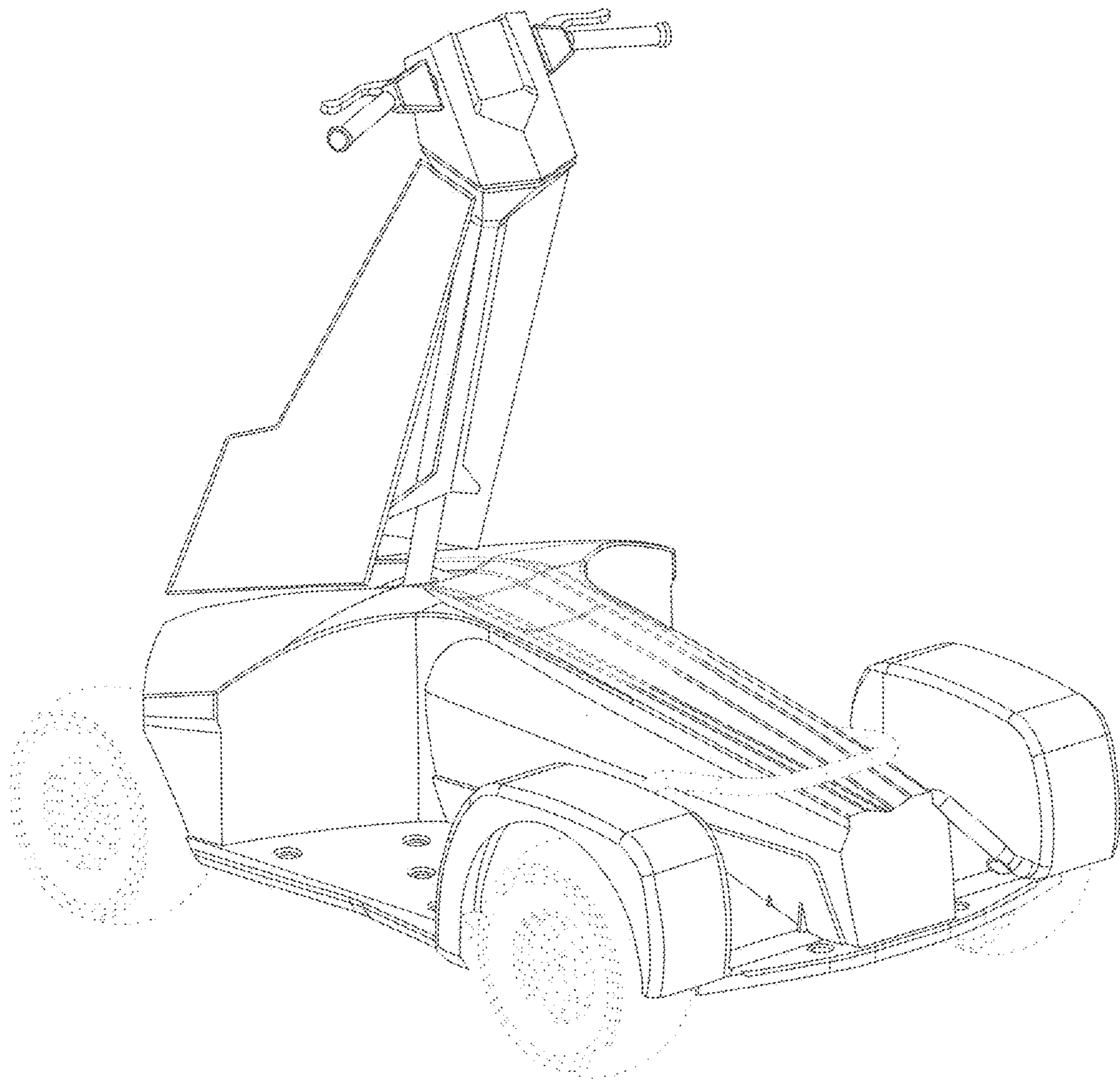


FIG. 2

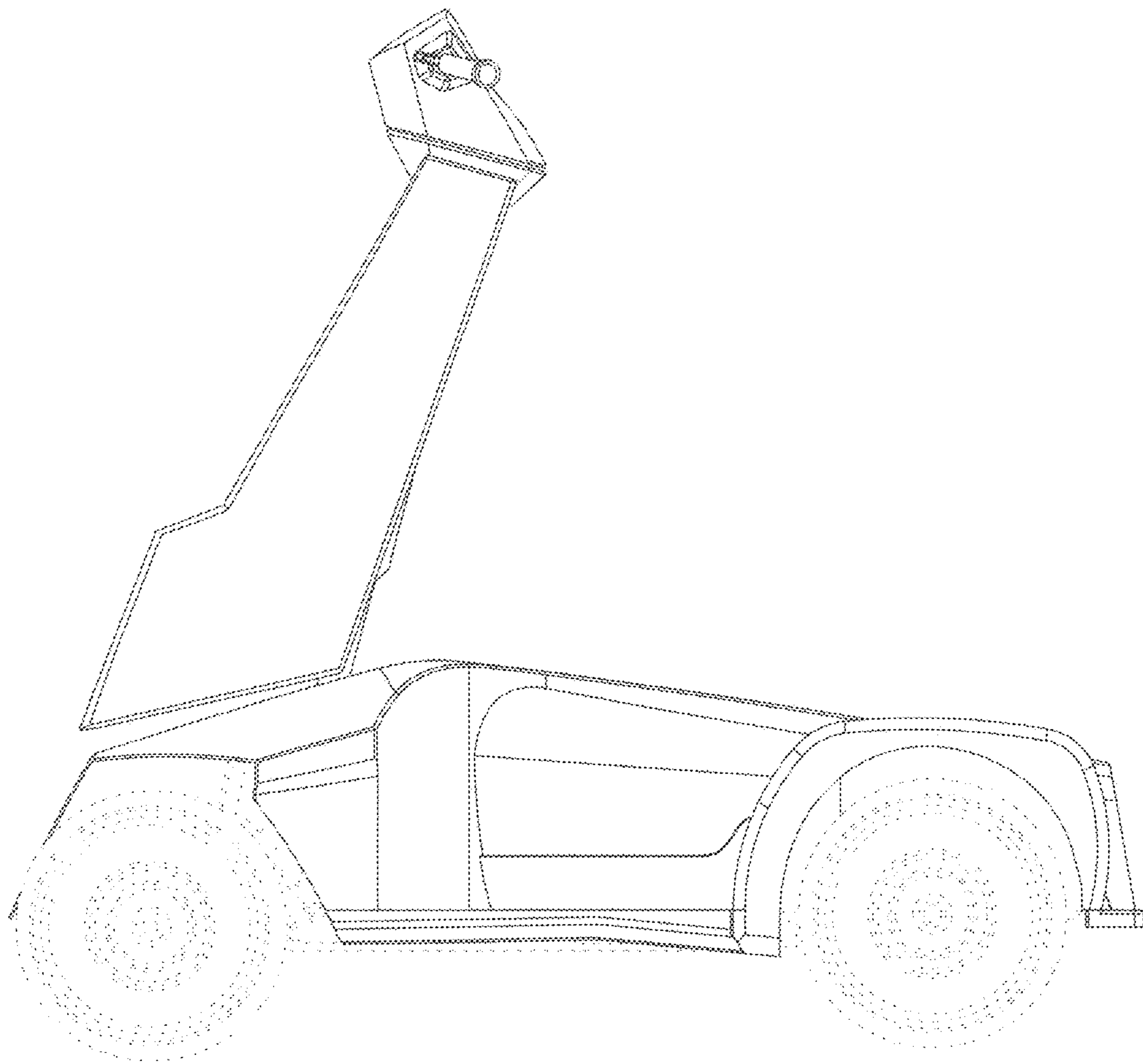


FIG. 3

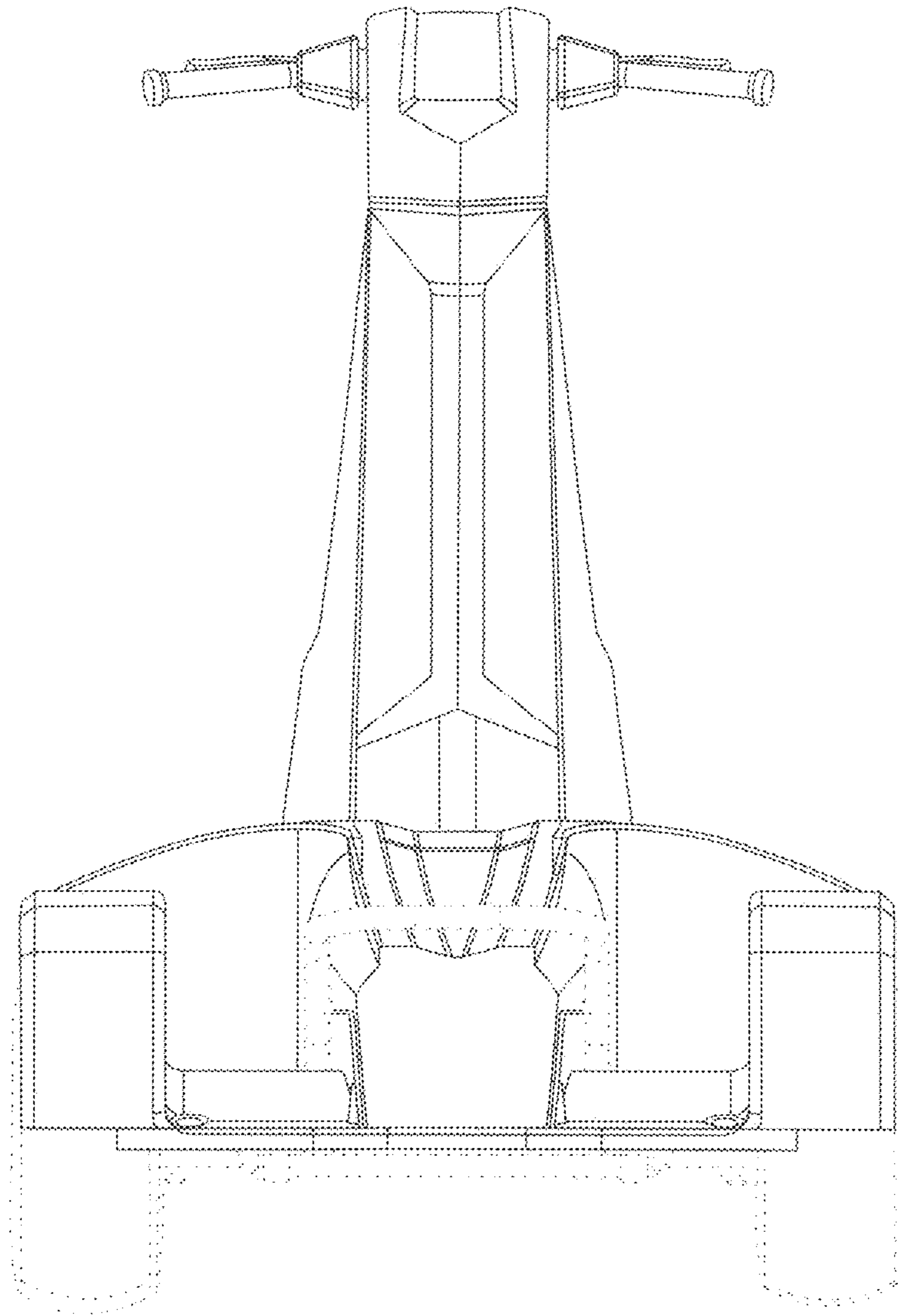


FIG. 4

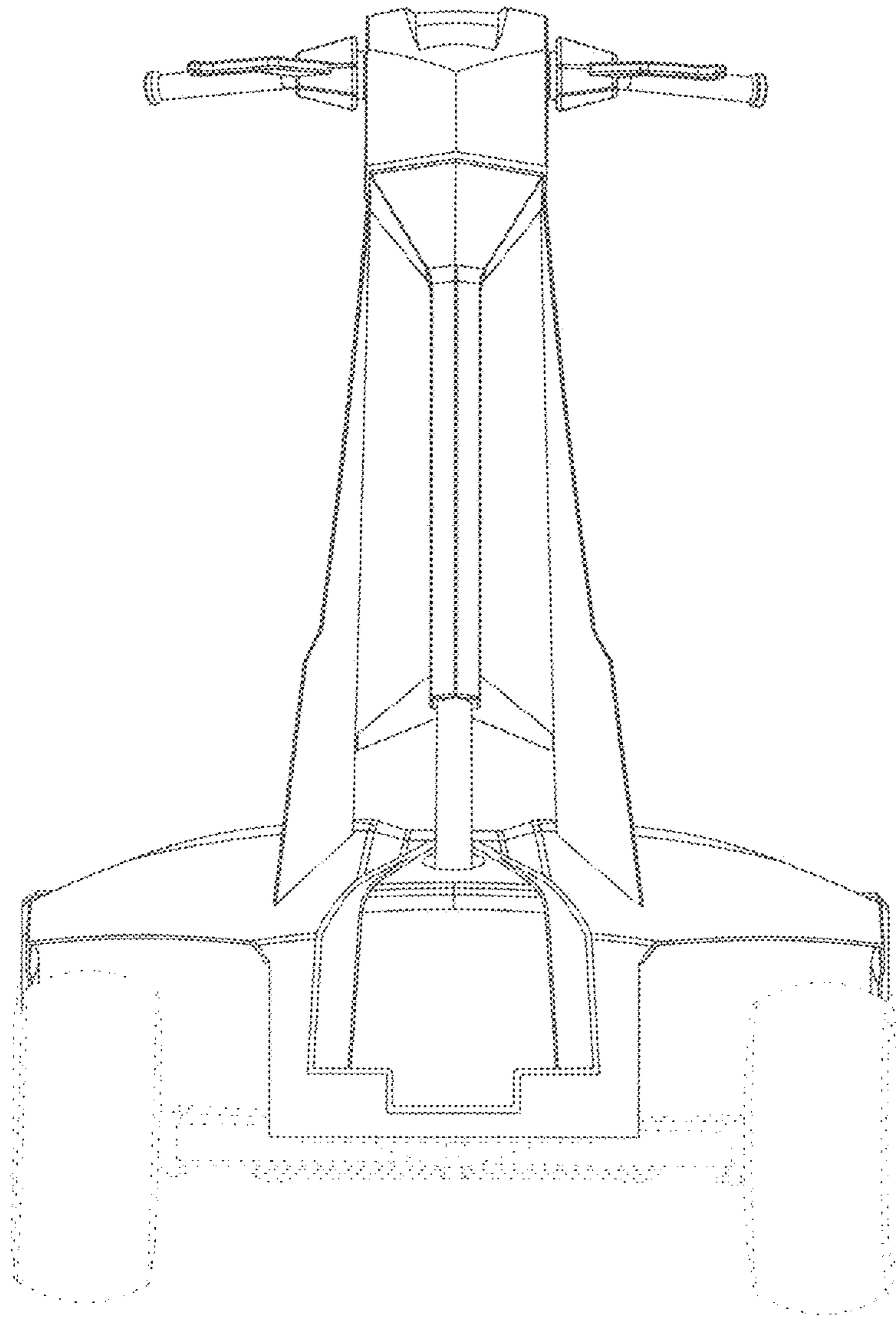


FIG. 5

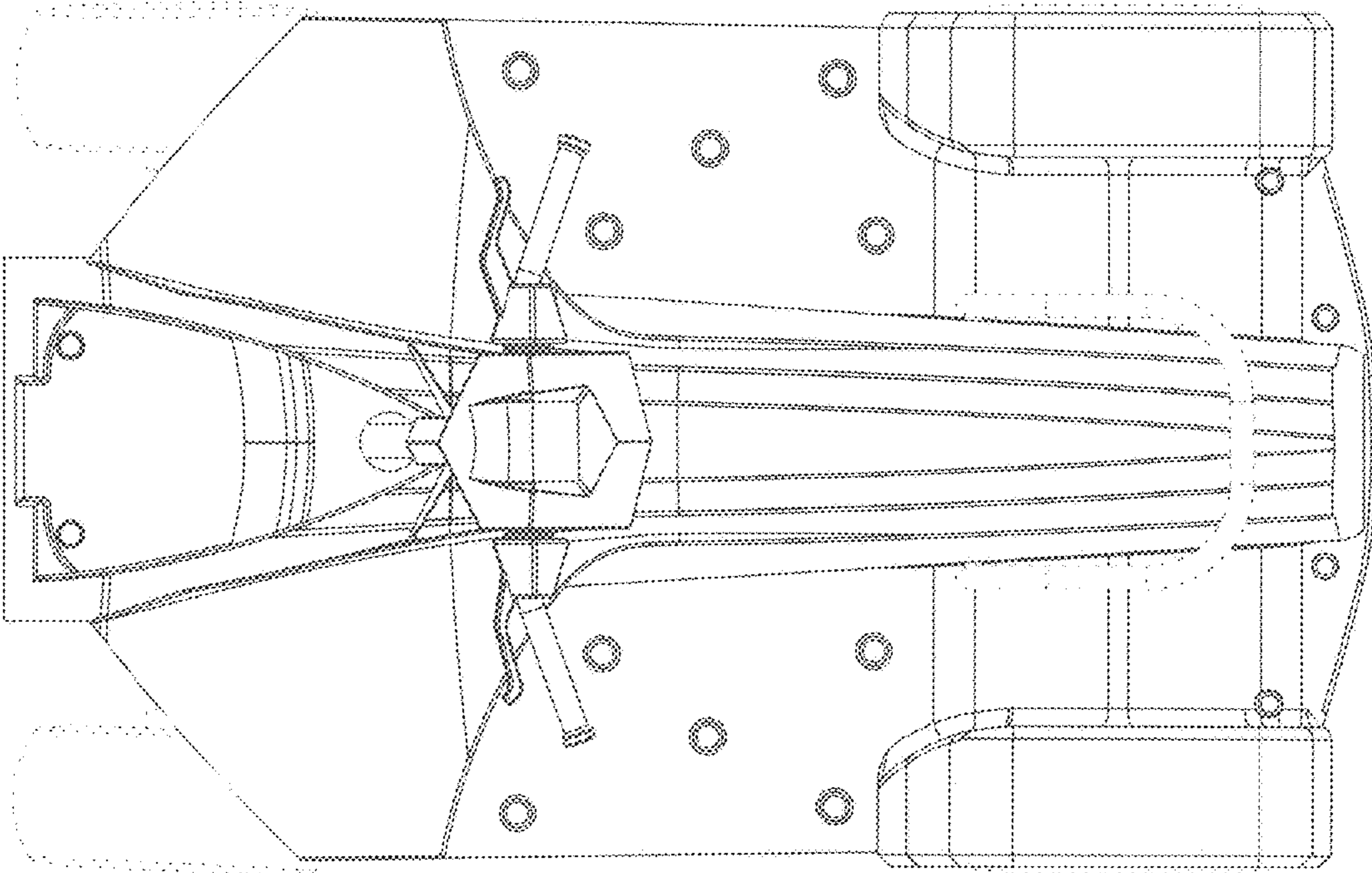


FIG. 6