



US00D809426S

(12) **United States Design Patent** (10) **Patent No.:** **US D809,426 S**
Gates (45) **Date of Patent:** **** Feb. 6, 2018**

(54) **LINK CHAIN ZIPPER**
(71) Applicant: **Eric Gates**, Long Beach, CA (US)
(72) Inventor: **Eric Gates**, Long Beach, CA (US)
(**) Term: **15 Years**
(21) Appl. No.: **29/577,683**
(22) Filed: **Sep. 14, 2016**
(51) **LOC (11) Cl.** **02-07**
(52) **U.S. Cl.**
USPC **D11/221**
(58) **Field of Classification Search**
USPC D11/200–201, 221, 86, 87; 24/358–387,
24/414–417, 421–433, 4, 412; 2/265;
D2/641, 642; 294/2, 3.6; 223/111
CPC A44B 19/00; A44B 19/02; A44B 19/04;
A44B 19/10; A44B 19/24; A44B 19/26;
A44B 19/30
See application file for complete search history.

(56) **References Cited**

U.S. PATENT DOCUMENTS

2,480,061 A * 8/1949 Voity B21D 53/50
29/34 A
2,563,767 A * 8/1951 Winterhalter A44B 19/04
24/411
2,660,774 A * 12/1953 Heimann A44B 19/04
24/412
2,731,671 A * 1/1956 Zimmerman A44B 19/40
24/403
2,862,272 A * 12/1958 Morin A44B 19/04
24/410
3,047,922 A * 8/1962 Schwendt A44B 19/54
24/408
3,238,285 A * 3/1966 Morin A44B 19/04
24/410
D265,606 S 8/1982 Kasai
D284,330 S 6/1986 Yoshikawa et al.
4,639,981 A * 2/1987 Yoshida A44B 19/14
24/401
D293,225 S 12/1987 Hasegawa

4,937,922 A * 7/1990 Okazaki A44B 19/02
24/403
D326,433 S 5/1992 Takizawa et al.
D334,901 S 4/1993 Bichi
D334,902 S 4/1993 Bichi
5,836,058 A 11/1998 Cullum
D570,502 S 6/2008 Silvestrin
D628,123 S * 11/2010 Kojima D11/221
D672,687 S * 12/2012 Himi D11/221

(Continued)

FOREIGN PATENT DOCUMENTS

EP 506631 A1 9/1992

OTHER PUBLICATIONS

Zippers & Zipper Chain, HiTechNarrowFabrics.com, [online], [site visited Sep. 11, 2017]. <URL: <http://www.hitechnarrowfabrics.com/Zippers-And-Zipper-Chain.html>>.*

(Continued)

Primary Examiner — T. Chase Nelson

Assistant Examiner — Jonathan J Han

(74) *Attorney, Agent, or Firm* — Fulwider Patton LLP

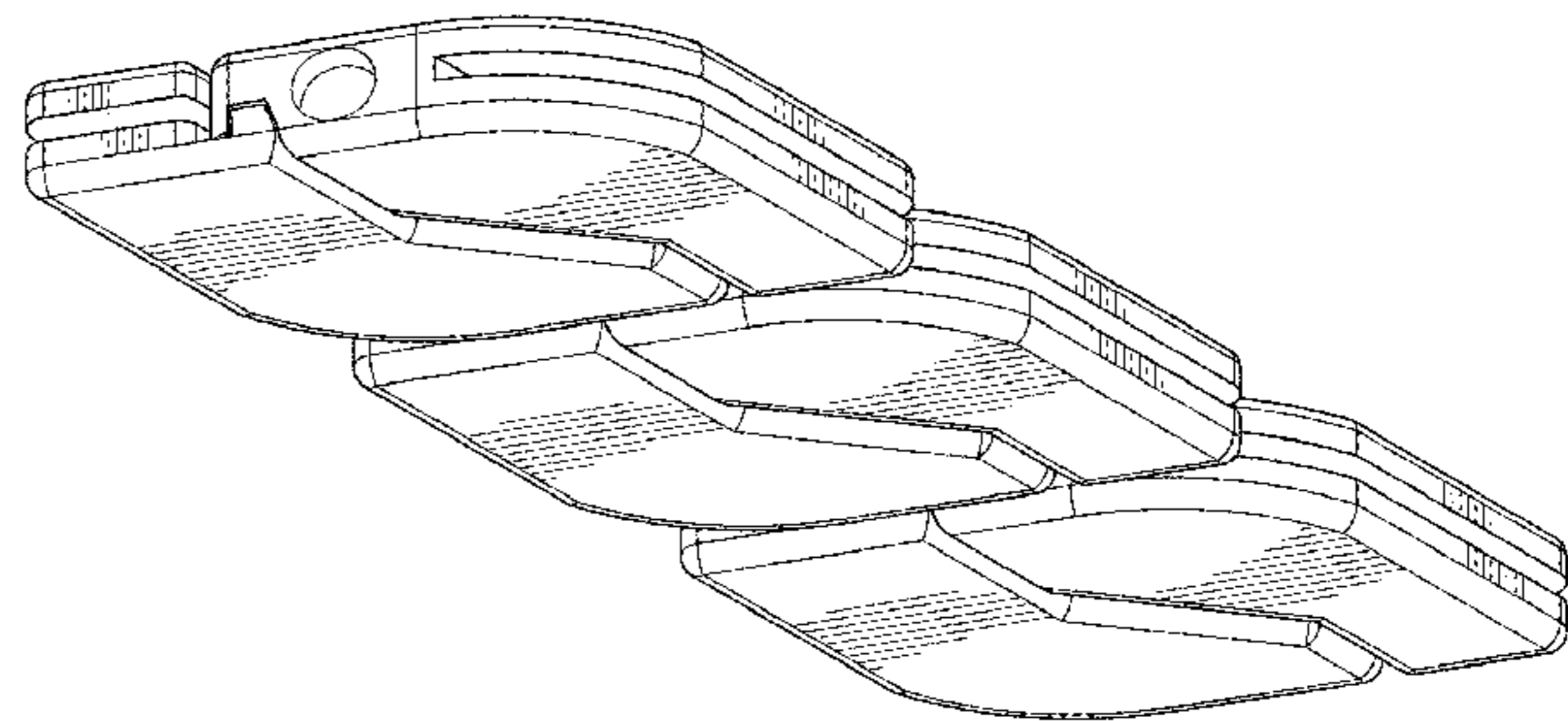
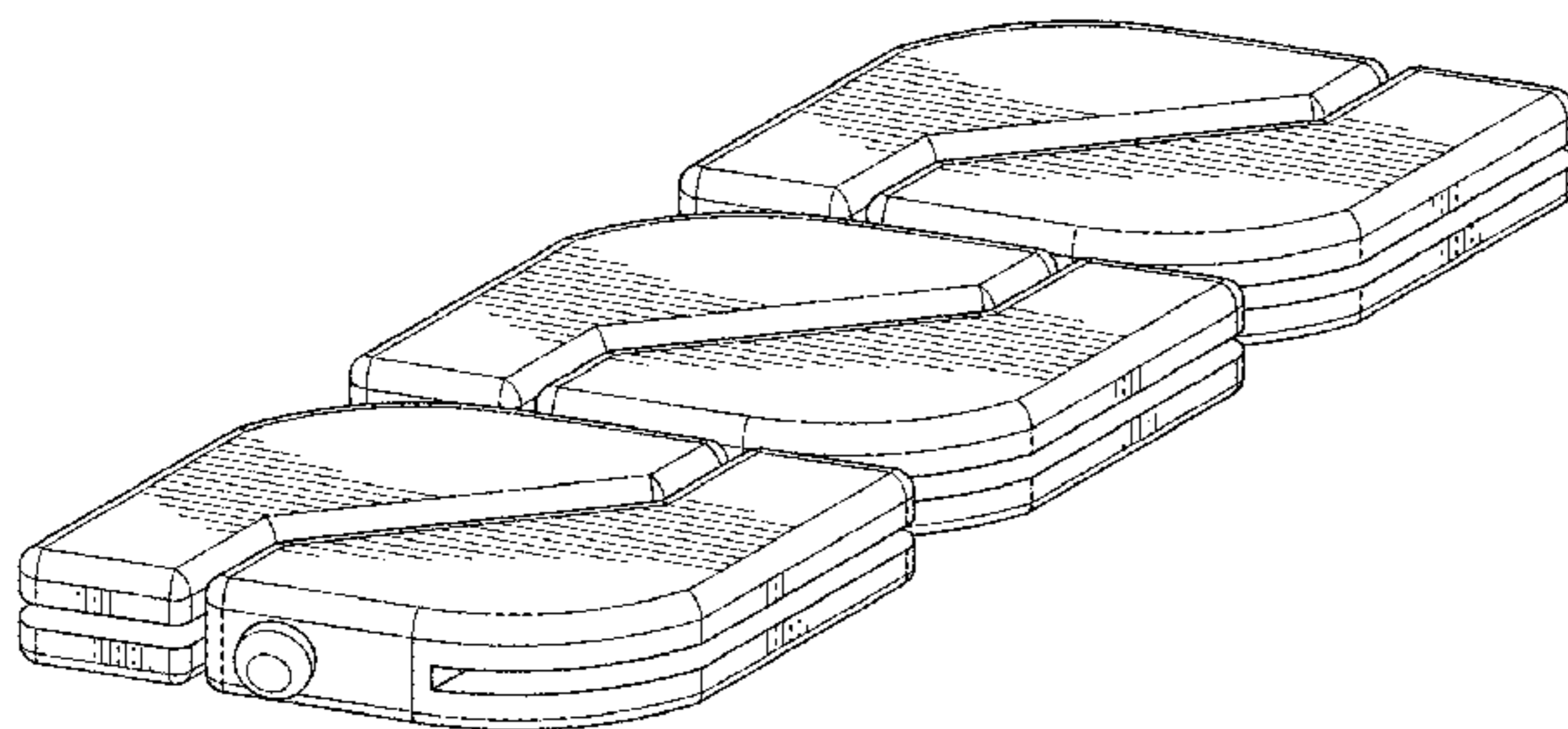
(57) **CLAIM**

The ornamental design for a link chain zipper, as shown and described.

DESCRIPTION

FIG. 1 is top perspective view thereof;
FIG. 2 is bottom perspective view thereof;
FIG. 3 is a right side view thereof;
FIG. 4 is a left side view thereof;
FIG. 5 is a front view thereof;
FIG. 6 is a back view thereof;
FIG. 7 is a top view thereof; and,
FIG. 8 is a bottom view thereof.

1 Claim, 5 Drawing Sheets



(56)

References Cited

U.S. PATENT DOCUMENTS

8,359,717 B2 * 1/2013 Yamamoto A44B 19/32
24/403
D724,996 S * 3/2015 Hung D11/221
D728,421 S * 5/2015 Ishii D11/221
D731,359 S 6/2015 Xie
D741,748 S * 10/2015 Ng D11/221
2003/0000049 A1 * 1/2003 Ichikawa A44B 19/32
24/389
2003/0213107 A1 * 11/2003 Mizuhara A44B 19/388
24/433
2005/0251975 A1 * 11/2005 Segawa A44B 19/388
24/433
2006/0260104 A1 * 11/2006 Himi A44B 19/06
24/403
2009/0192000 A1 * 7/2009 Junig F16G 13/04
474/215
2009/0250325 A1 * 10/2009 Melancon B65G 17/086
198/851
2009/0320250 A1 * 12/2009 Yamamoto A44B 19/32
24/389
2011/0265291 A1 * 11/2011 Kojima A44B 19/00
24/406
2012/0246886 A1 * 10/2012 Matsumoto A44B 19/32
24/381
2013/0097819 A1 * 4/2013 Kojima A44B 19/14
24/415
2013/0180087 A1 * 7/2013 Matsuda A44B 19/04
24/411

2014/0020217 A1 * 1/2014 Kojima A44B 19/08
24/436
2015/0201718 A1 * 7/2015 Fujii A44B 19/32
24/389
2015/0313322 A1 * 11/2015 Lu A44B 19/346
24/412
2017/0027288 A1 * 2/2017 Xu A44B 19/06

OTHER PUBLICATIONS

Classic Zipper, Waldes.co.jp, [online], [site visited Sep. 11, 2017].
<URL: <http://www.waldes.co.jp/classic2.html>>.*
Vislon Flat, YKKfastening.com, [online], [site visited Sep. 11, 2017]. <URL: http://www.ykkfastening.com/products/zipper/vision_zipper/flat_vision.html>.*
Top Open, YKKfastening.com, [online], [site visited Sep. 11, 2017]. <URL: http://www.ykkfastening.com/products/zipper/vision_zipper/top_open.html>.*
Delrin Rainbow Electro Plated Teeth, SGSzipper.com, [online], [site visited Sep. 11, 2017]. <URL: <http://www.sgszipper.com/product/zipper-coated-electro-plated-teeth.html>>.*
Second Variant of a Patton's Tracks, WorldOfTanks.com, Magick, Posted Dec. 21, 2013—03:19, [online], [site visited Sep. 11, 2017]. <URL: http://forum.worldoftanks.com/index.php?/topic/310403-german-late-war-vehicles/page__st_120>.*
24 Diamonds.com, "Men's Miami Cuban Link Gold Chains," Screen capture of <http://www.24diamonds.com/miami-cuban-chains/?id_category=4746&n=150> dated Sep. 13, 2016.

* cited by examiner

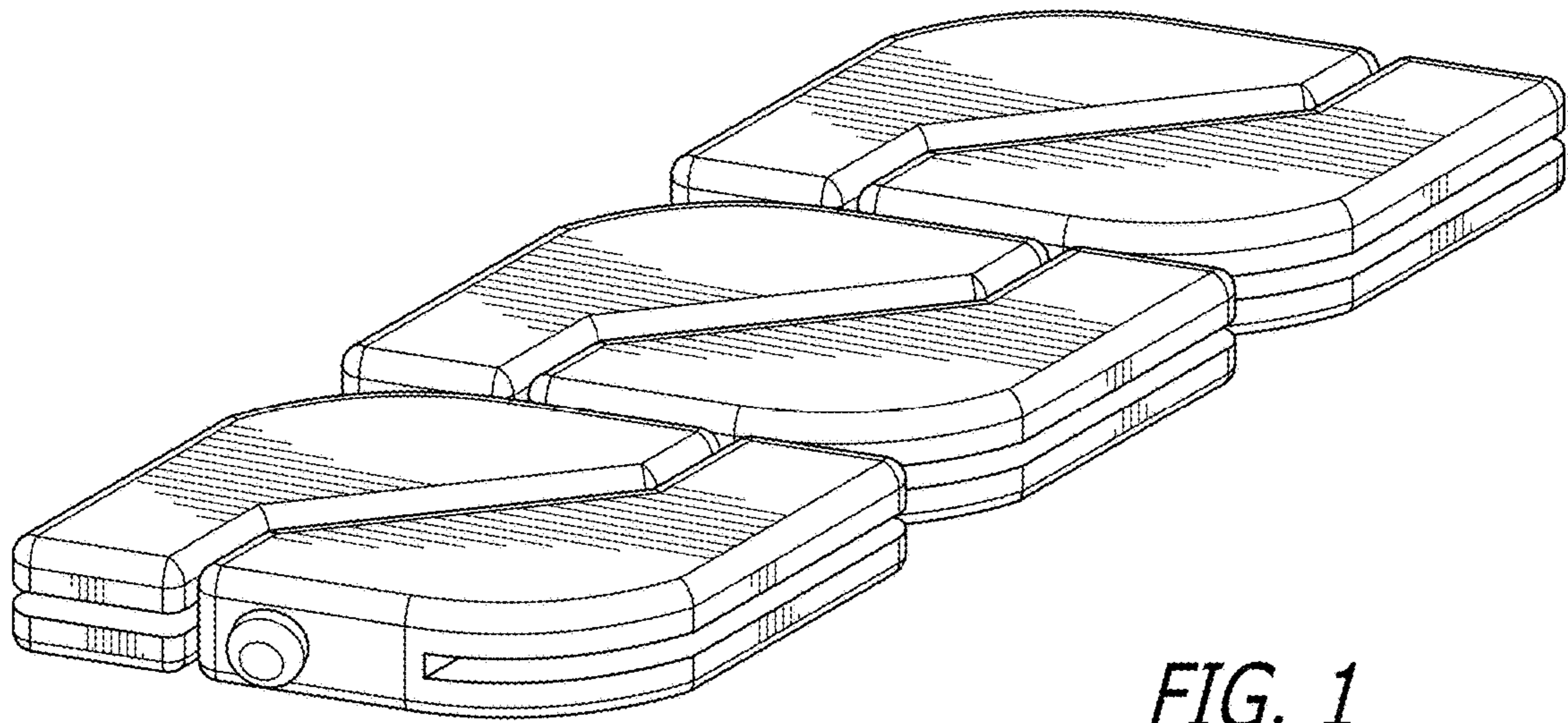


FIG. 1

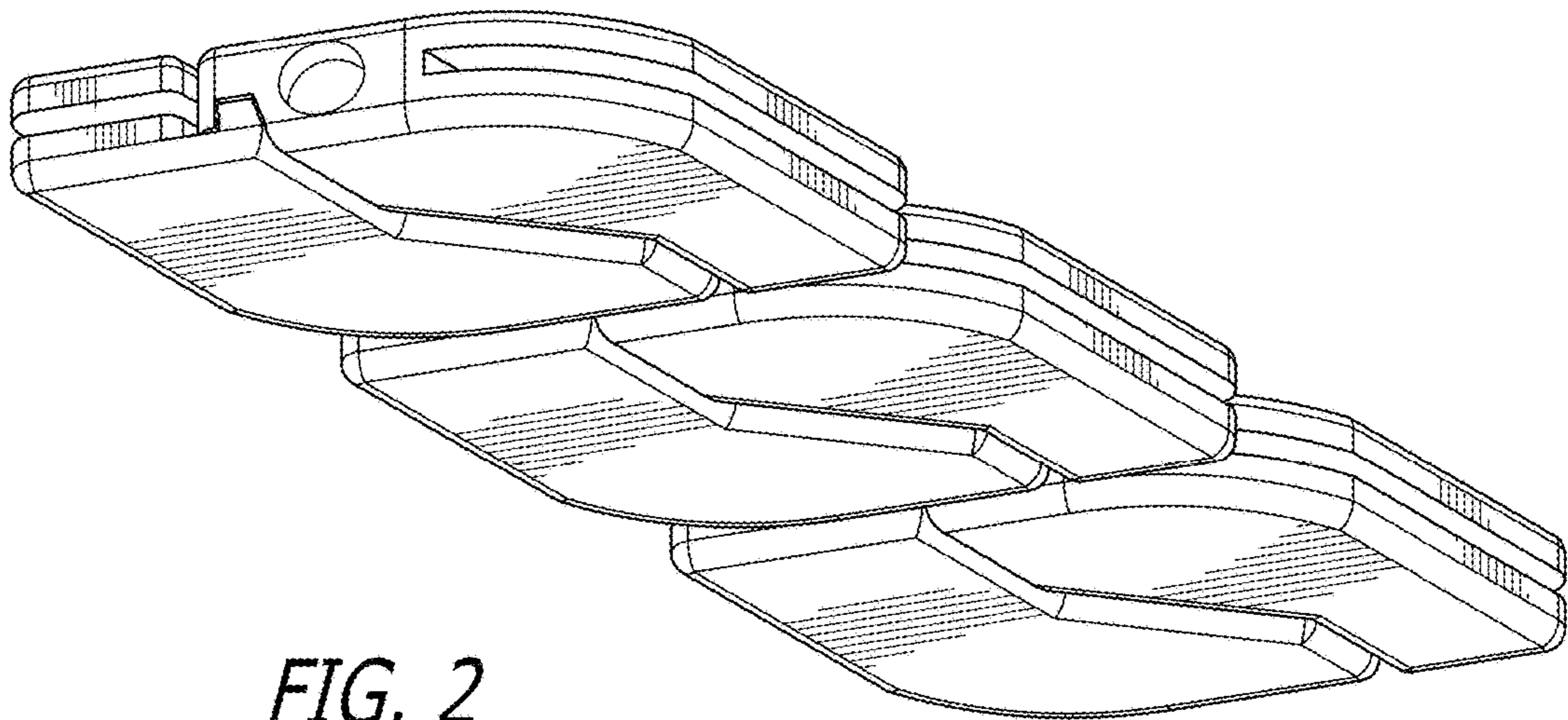


FIG. 2

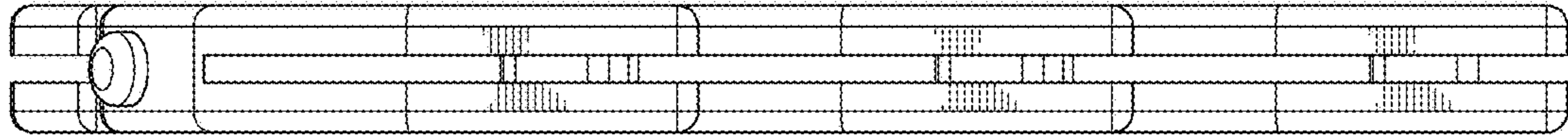


FIG. 3

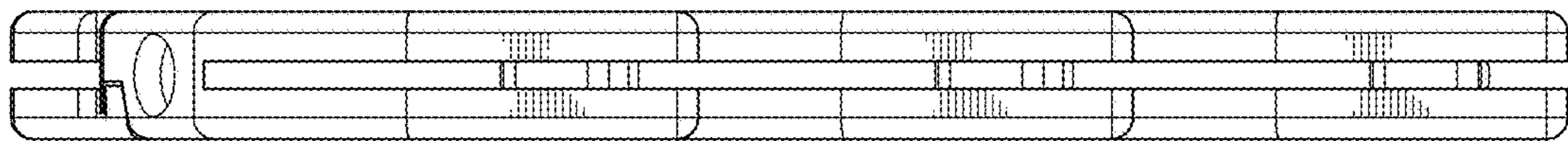


FIG. 4

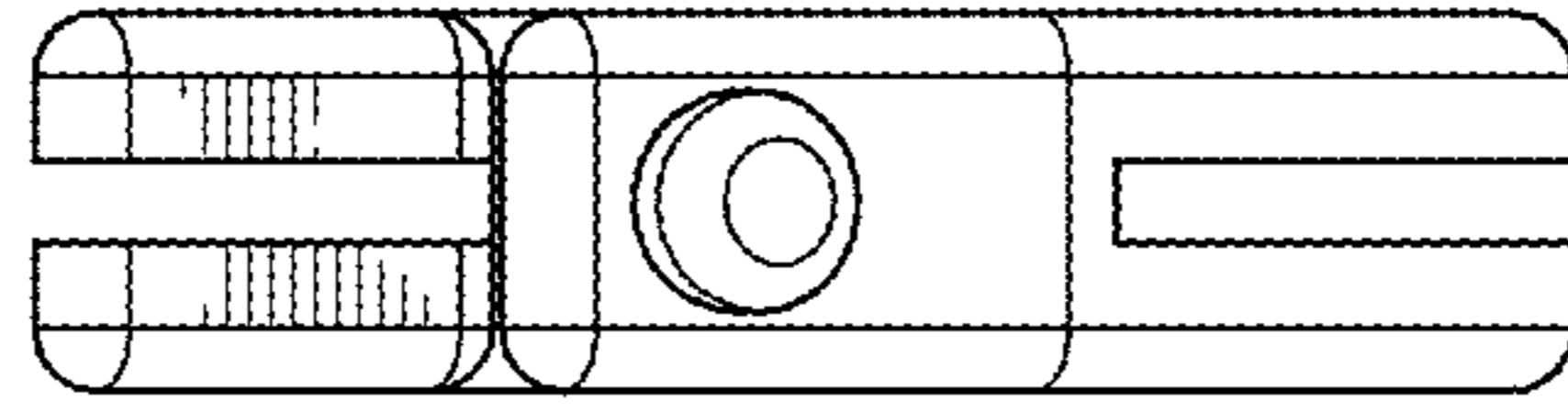


FIG. 5

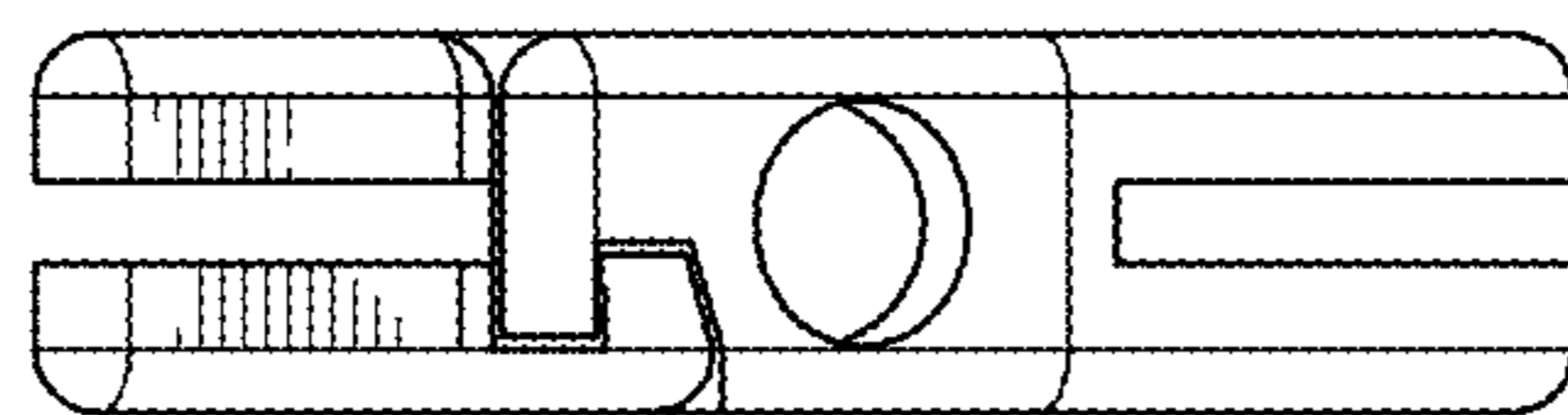


FIG. 6

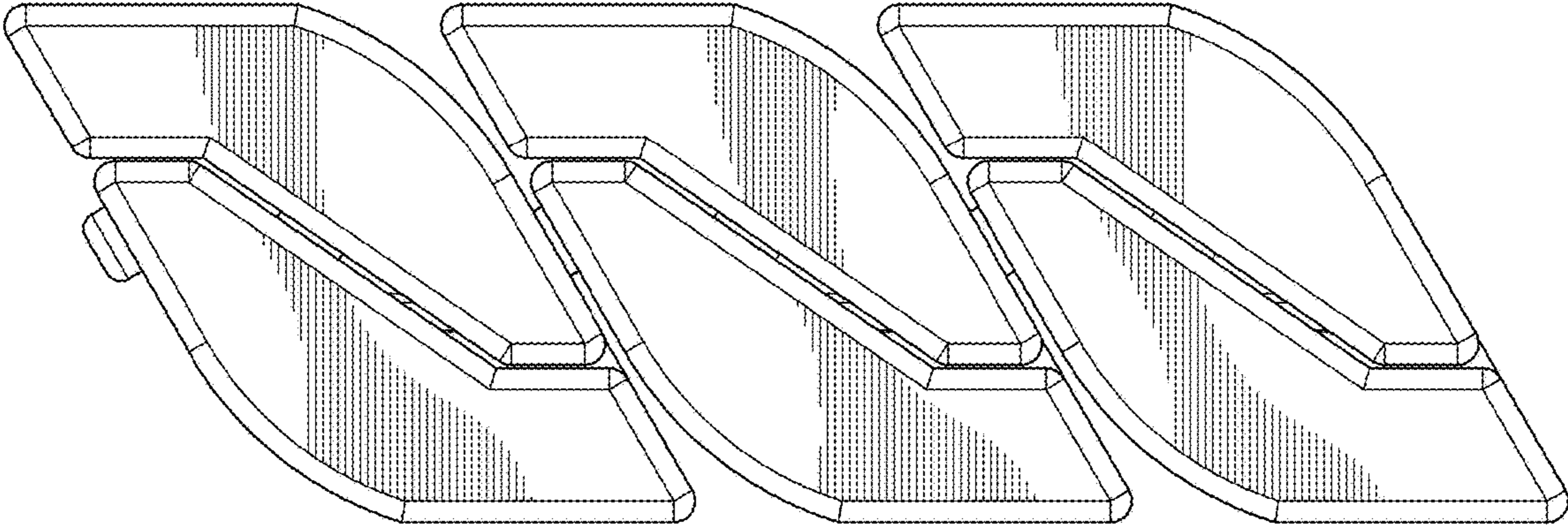


FIG. 7

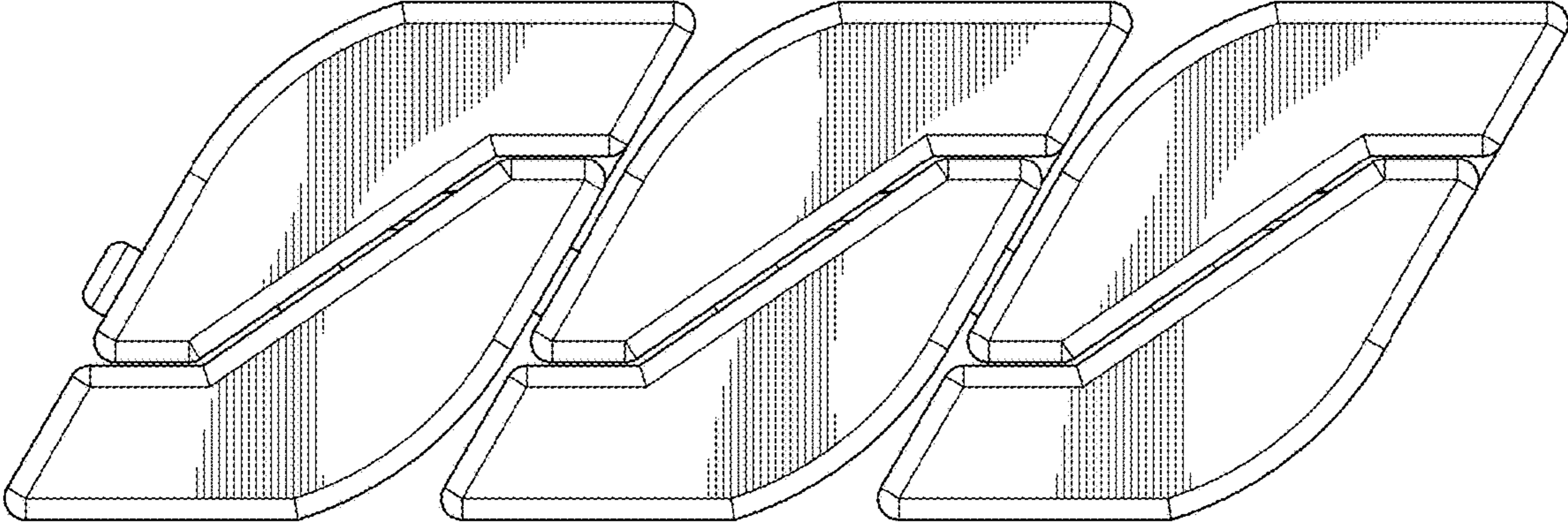


FIG. 8