



US00D809425S

(12) **United States Design Patent** (10) **Patent No.:** **US D809,425 S**
Sato (45) **Date of Patent:** **** Feb. 6, 2018**

(54) **ORNAMENT** 2,470,473 A * 5/1949 Daellenbach A63G 13/02
472/114
(71) Applicant: **KARTELL S.p.A.**, Noviglio (Milan) 3,053,534 A * 9/1962 Papst A63G 13/06
(IT) 472/102
(72) Inventor: **Oki Sato**, Noviglio (IT) D233,679 S * 11/1974 Nielsen D21/417
D244,631 S * 6/1977 Kyte D21/417
D379,379 S * 5/1997 Fahringer, Sr. D21/417
(73) Assignee: **KARTELL S.p.A.**, Noviglio (IT) D461,331 S * 8/2002 Glaubitz D6/404
6,857,696 B2 * 2/2005 Usagani A47B 85/00
297/1
(**) Term: **15 Years** D569,997 S * 5/2008 McPherson D25/119
D771,195 S * 11/2016 Reybier D21/417
(21) Appl. No.: **29/579,945** (Continued)

(22) Filed: **Oct. 4, 2016**

(30) **Foreign Application Priority Data**

Apr. 4, 2016 (IT) 402016000034421

(51) **LOC (11) Cl.** **11-02**

(52) **U.S. Cl.**
USPC **D11/159**

(58) **Field of Classification Search**

USPC D11/131, 157-159, 48, 50, 81-83, 141;
D21/398, 412, 414-417, 419, 427-429,
D21/620, 828, 830-832; D25/119, 121;
D6/348, 359, 385, 388; 472/95-105, 135;
297/270.5, 271.6; 446/29, 396; 52/837,
52/838

CPC A63G 9/10; A63G 13/00; A63G 13/06;
A63G 13/08; A63G 17/00; A63G 19/00;
A63G 15/02; A47D 13/102

See application file for complete search history.

(56) **References Cited**

U.S. PATENT DOCUMENTS

1,817,768 A * 8/1931 Sargent A63G 13/06
297/259.4
D136,834 S * 12/1943 Kenney D21/417
D137,280 S * 2/1944 Gosswein et al. D21/416
D141,932 S * 7/1945 Lecomowitz D21/416
D147,517 S * 9/1947 Walker D21/416
D147,518 S * 9/1947 Walker D21/416

OTHER PUBLICATIONS

Nendo models H-horse for Kartell after architectural beams (via designboom), available Apr. 5, 2016, [online], [site visited Sep. 11, 2017]. Available from internet, <URL: <https://www.designboom.com/design/nendo-h-horse-kartell-salone-del-mobile-milan-design-week-rocking-horse-04-05-2016/>>.*

(Continued)

Primary Examiner — Cathron Brooks
Assistant Examiner — Teddy Falloway

(74) *Attorney, Agent, or Firm* — Thomas I Horstemeyer, LLP

(57) **CLAIM**

The ornamental design for an ornament, as shown and described.

DESCRIPTION

FIG. 1 is a perspective view of an ornament showing my new design;

FIG. 2 is a front elevational view thereof;

FIG. 3 is a rear elevational view thereof;

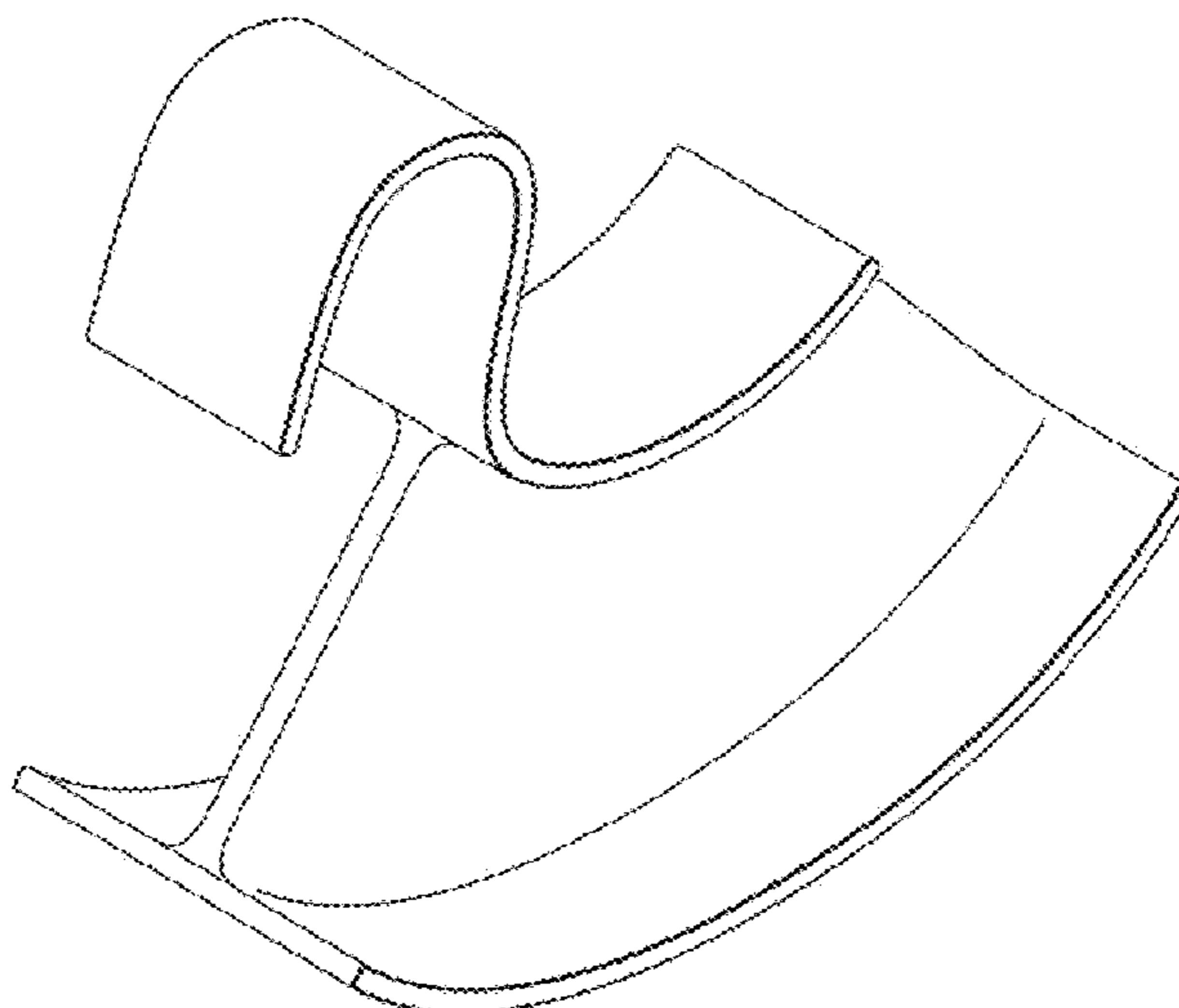
FIG. 4 is a side elevational view thereof;

FIG. 5 is another side elevational view thereof;

FIG. 6 is a bottom view thereof; and,

FIG. 7 is a top view thereof.

1 Claim, 7 Drawing Sheets



(56)

References Cited

U.S. PATENT DOCUMENTS

D797,198 S * 9/2017 Hahn D21/417
2014/0273713 A1 * 9/2014 Lawal-Solarin A63H 33/086
446/124

OTHER PUBLICATIONS

Literally Rocking Minimal (via yanko design), available Mar. 7, 2013, [online], [site visited Sep. 11, 2017]. Available from internet, <URL: <http://www.yankodesign.com/2013/03/07/literally-rocking-minimal/>.*

* cited by examiner

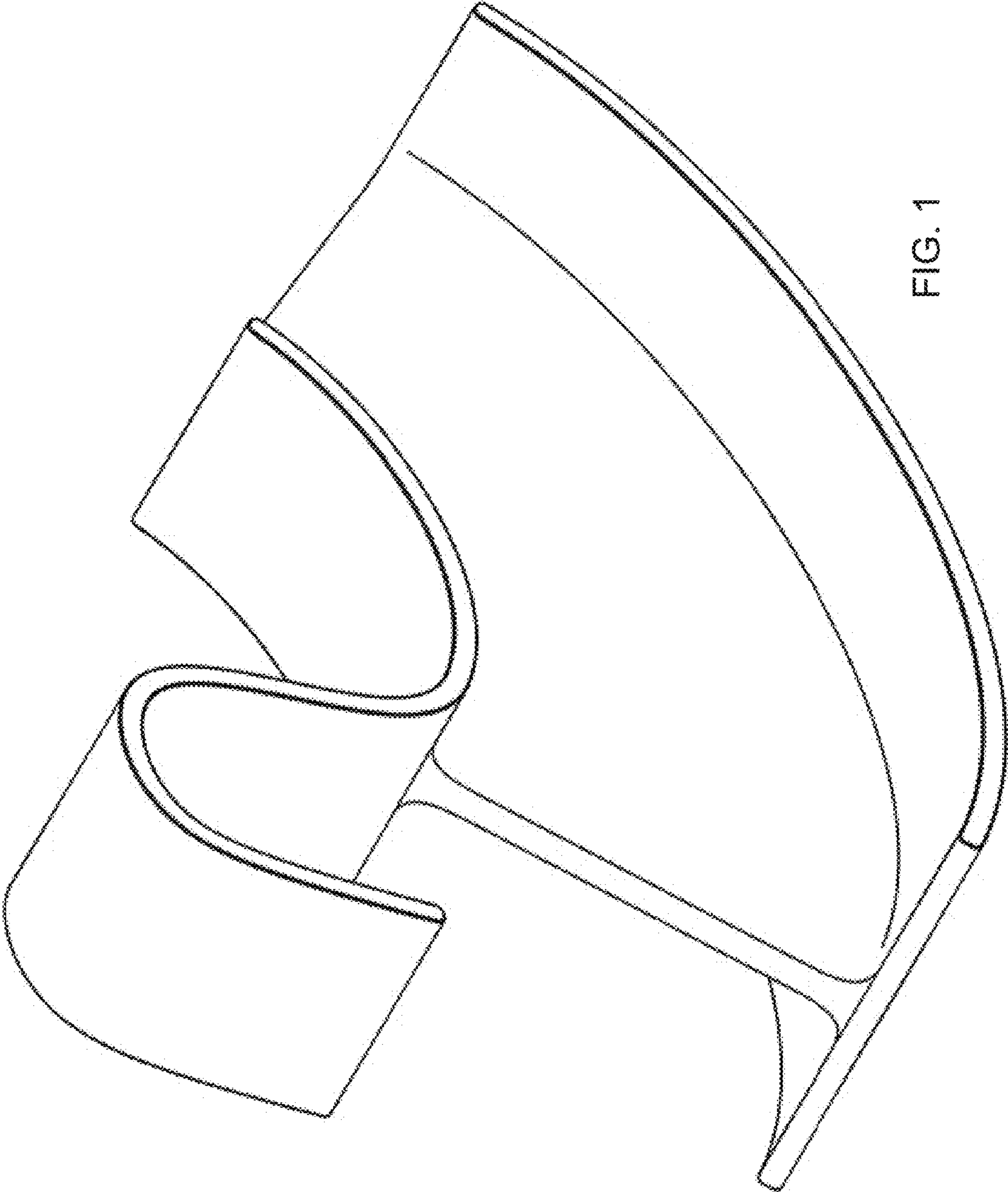


FIG. 1

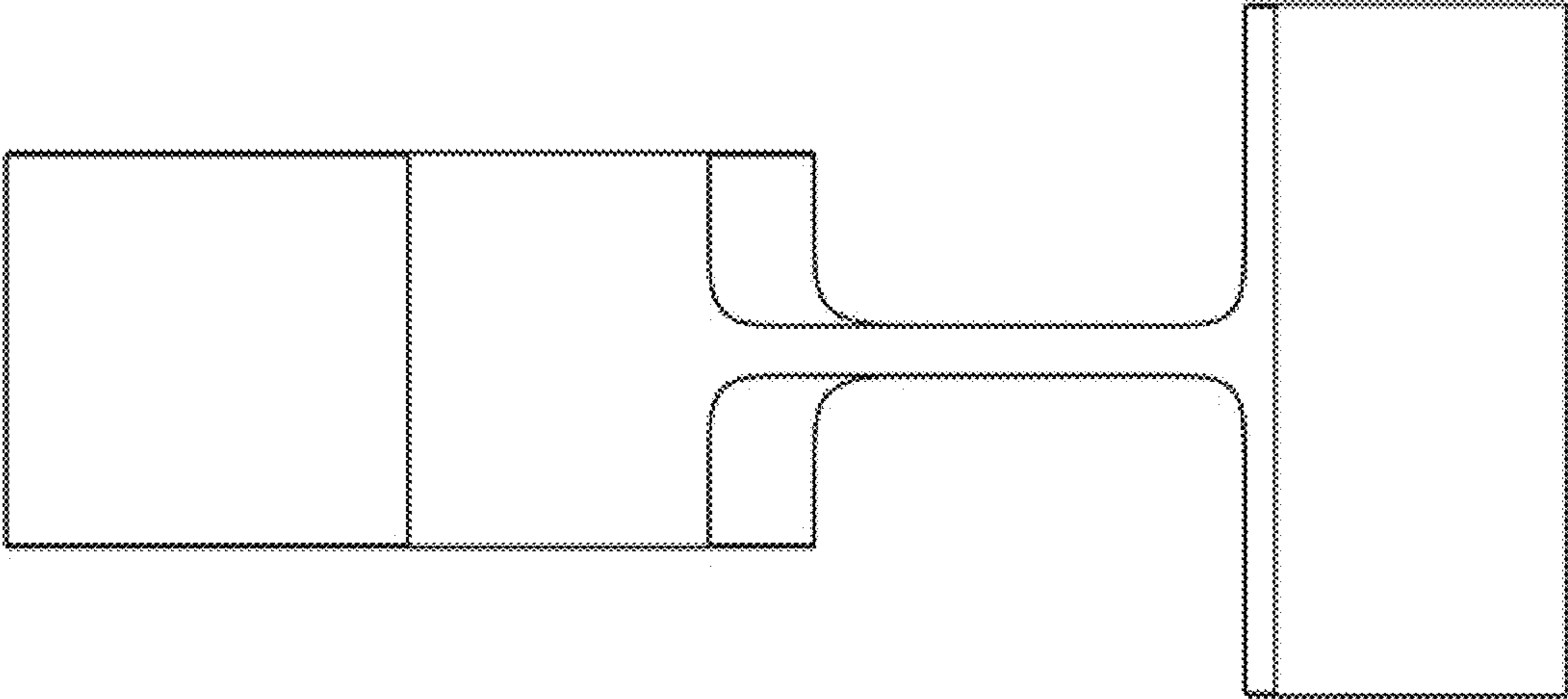


FIG. 2

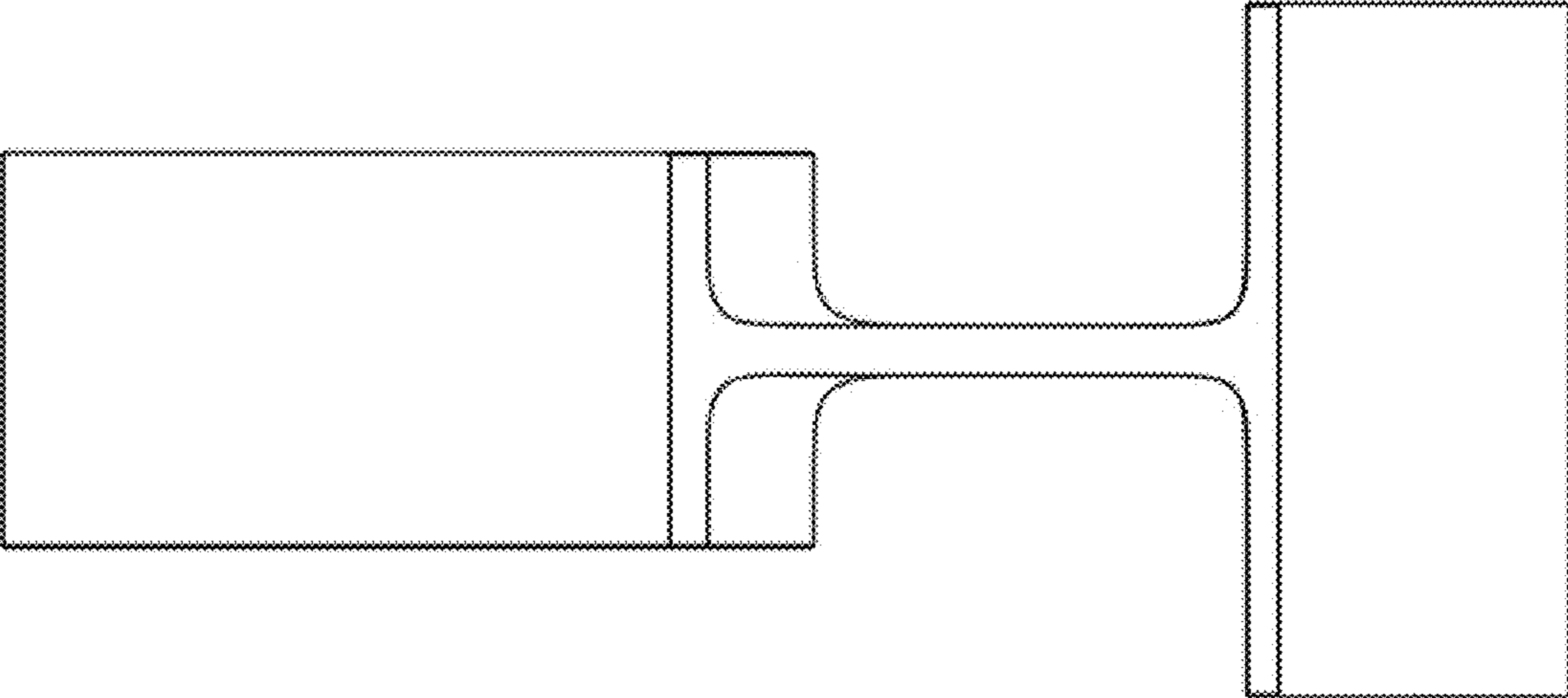


FIG. 3

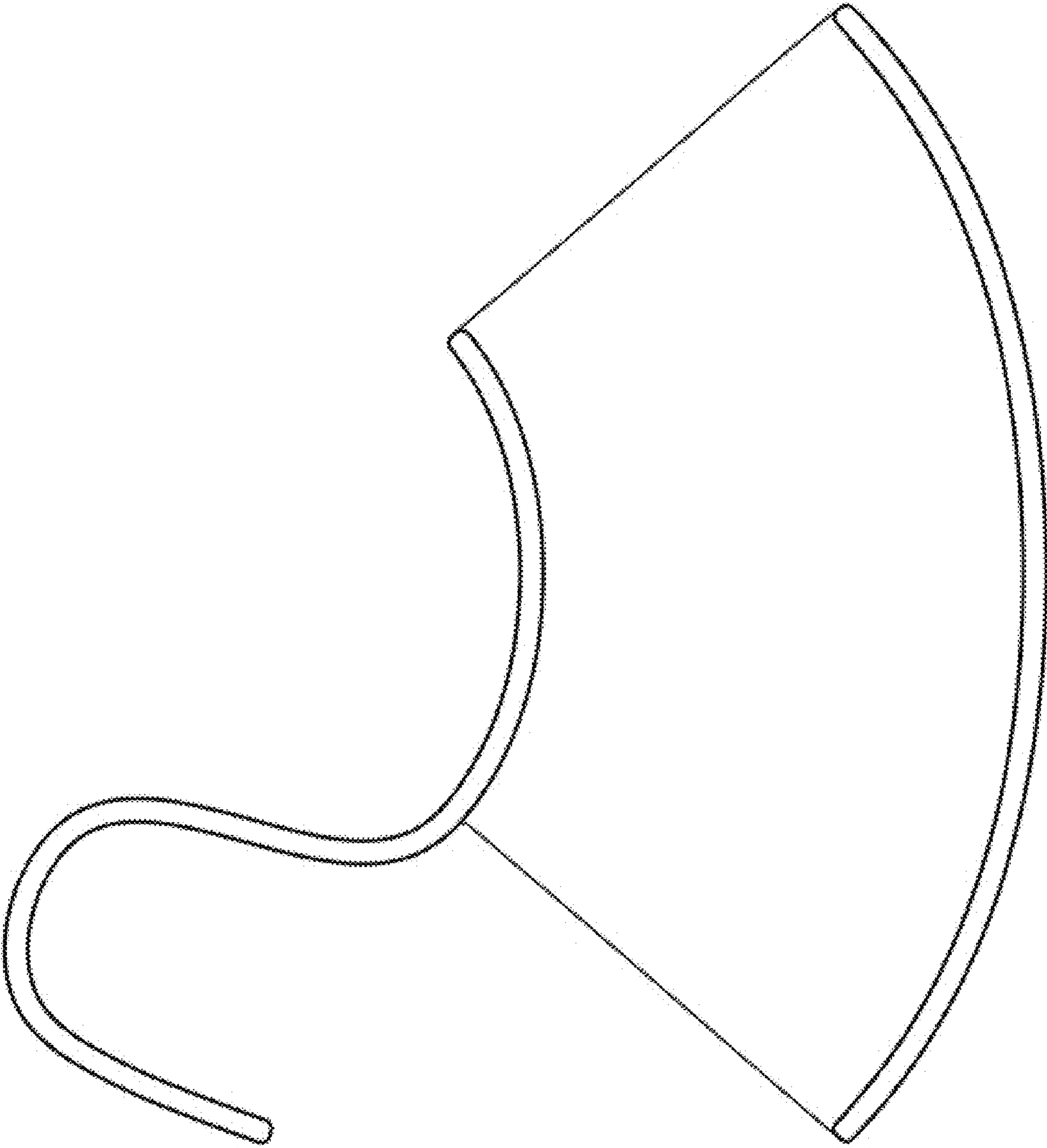


FIG. 4

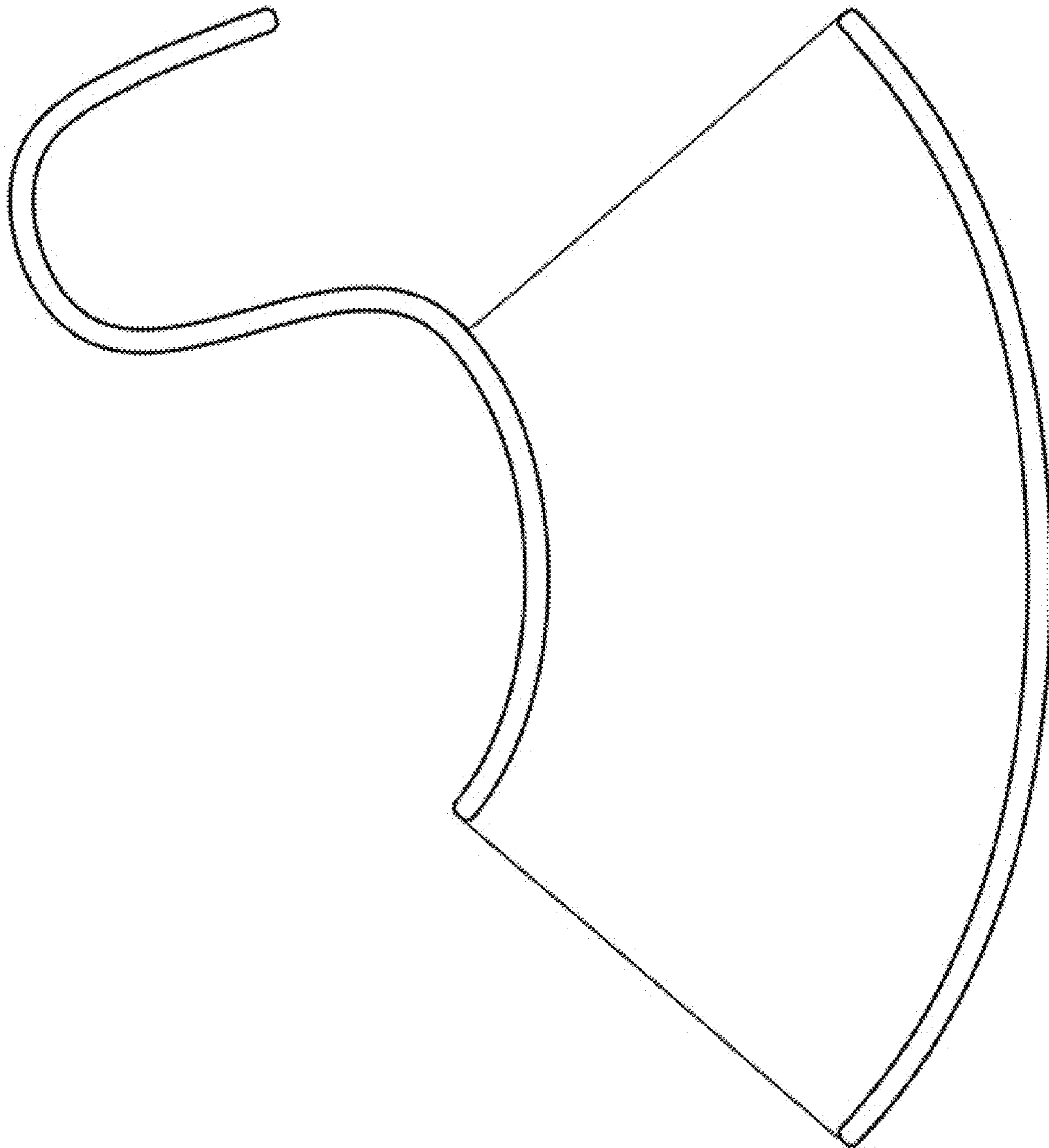


FIG.5

FIG. 6

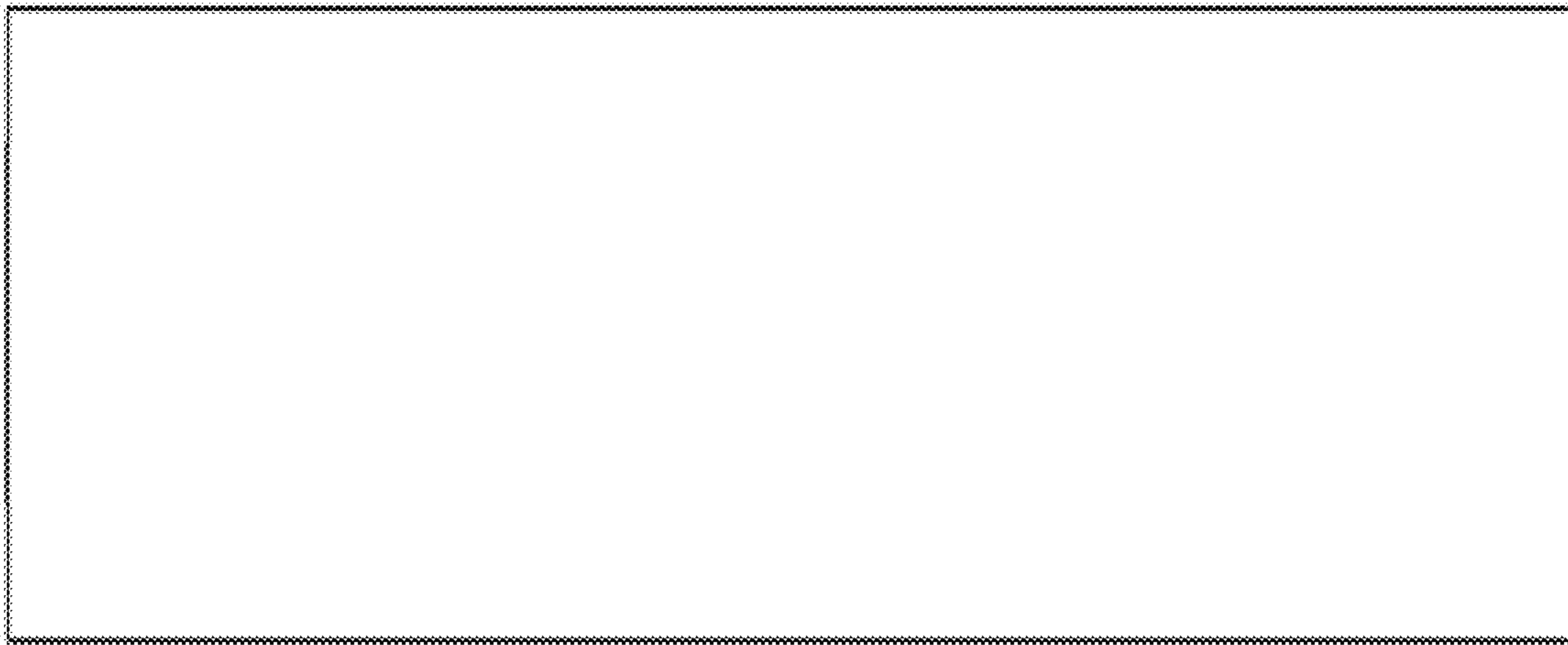


FIG. 7

