



US00D809424S

(12) **United States Design Patent**  
**Wessel et al.**

(10) **Patent No.:** **US D809,424 S**

(45) **Date of Patent:** **\*\* Feb. 6, 2018**

(54) **INCENSE BURNER**

(71) Applicant: **TENNEN LLC**, Phoenix, AZ (US)

(72) Inventors: **Ethan Christopher Wessel**, Phoenix, AZ (US); **Sarah Melinda Wessel**, Phoenix, AZ (US)

(73) Assignee: **TENNEN LLC**, Phoenix, AZ (US)

(\*\*) Term: **15 Years**

(21) Appl. No.: **29/578,123**

(22) Filed: **Sep. 19, 2016**

(51) **LOC (11) Cl.** ..... **11-02**

(52) **U.S. Cl.**  
USPC ..... **D11/131.1**

(58) **Field of Classification Search**  
USPC ..... D11/131.1; D1/103, 127; D19/78, 103;  
D27/104, 134, 135, 193; D28/20  
CPC . A24F 15/18; A61L 9/03; A61L 9/122; F21V  
33/0012; F22B 1/284  
See application file for complete search history.

(56) **References Cited**

**U.S. PATENT DOCUMENTS**

D117,898 S	*	12/1939	Carawan	.....	220/575
D205,172 S	*	6/1966	Schetzer	.....	131/242
D217,942 S	*	6/1970	Angelakos	.....	131/240.1
D218,656 S	*	9/1970	Kahn	.....	D27/135
D264,869 S	*	6/1982	Gordon	.....	D11/131.1
D299,149 S	*	12/1988	Wolff	.....	D19/78

D303,993 S	*	10/1989	Szablak	.....	D19/75
D379,471 S	*	5/1997	Gilbert	.....	D1/127
D387,473 S	*	12/1997	Angelakos	.....	D27/135
D412,762 S	*	8/1999	Miller	.....	D27/102
D527,674 S	*	9/2006	Biglarians	.....	D11/131.1
D564,704 S	*	3/2008	Chuang	.....	D27/103
D655,067 S	*	3/2012	Bruyea	.....	D1/101

\* cited by examiner

*Primary Examiner* — Robert M Spear

*Assistant Examiner* — John Voytek

(74) *Attorney, Agent, or Firm* — Greenberg Traurig LLP

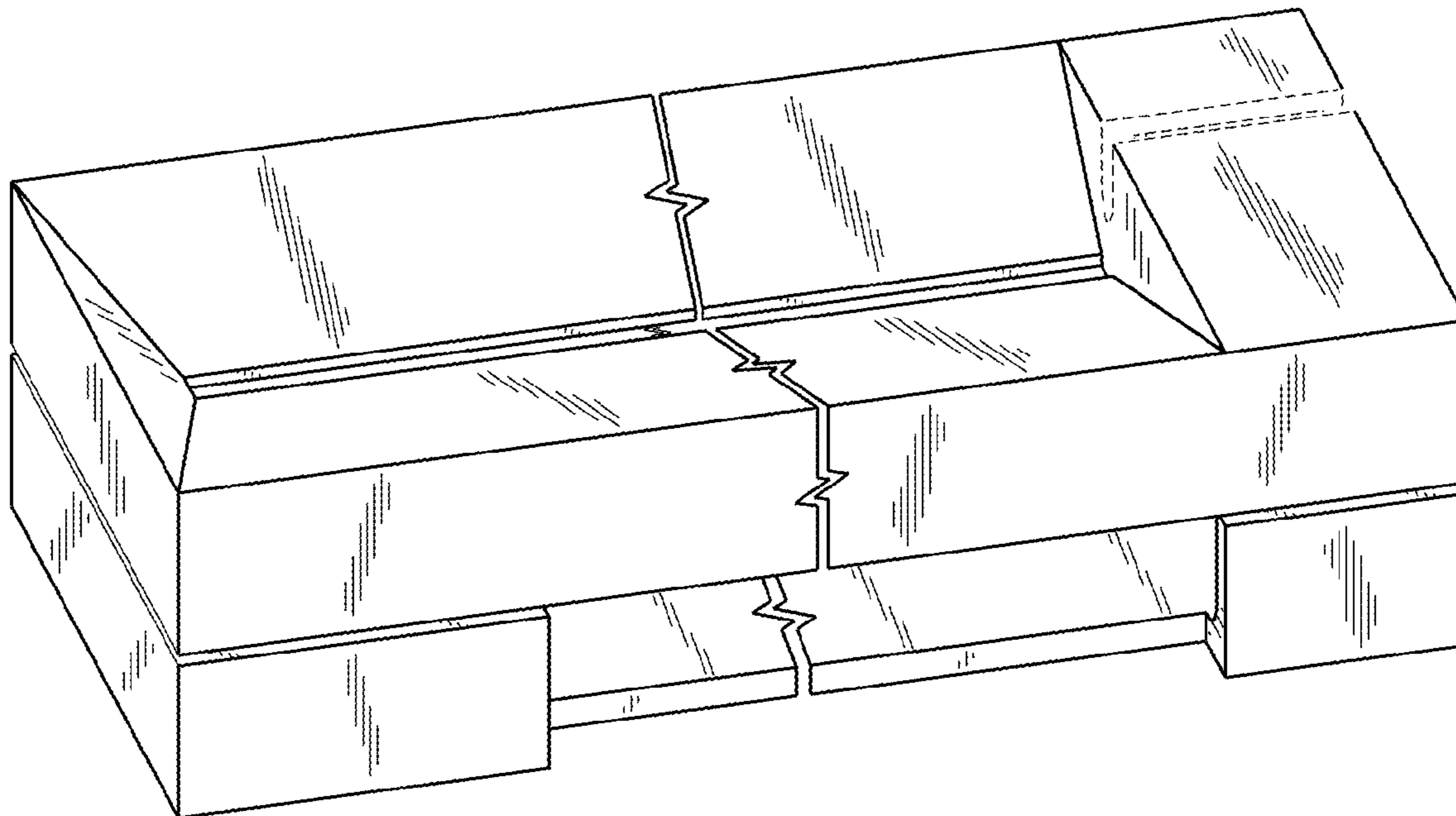
(57) **CLAIM**

We claim the ornamental design for an incense burner, as shown and described.

**DESCRIPTION**

FIG. 1 is a perspective view of an incense burner; FIG. 2 is a front view of the incense burner of FIG. 1; FIG. 3 is a rear view of the incense burner of FIG. 1; FIG. 4 is an end view of the incense burner of FIG. 1; FIG. 5 is an end view of the incense burner of FIG. 1 opposite to the end of FIG. 4; FIG. 6 is a top view of the incense burner of FIG. 1; and, FIG. 7 is a bottom view of the incense burner of FIG. 1. The incense burner is shown with a symbolic break in its length. The appearance of any portion of the article between the break lines forms no part of the claimed design. The features shown in broken lines depict environmental subject matter only and form no part of the claimed design.

**1 Claim, 3 Drawing Sheets**



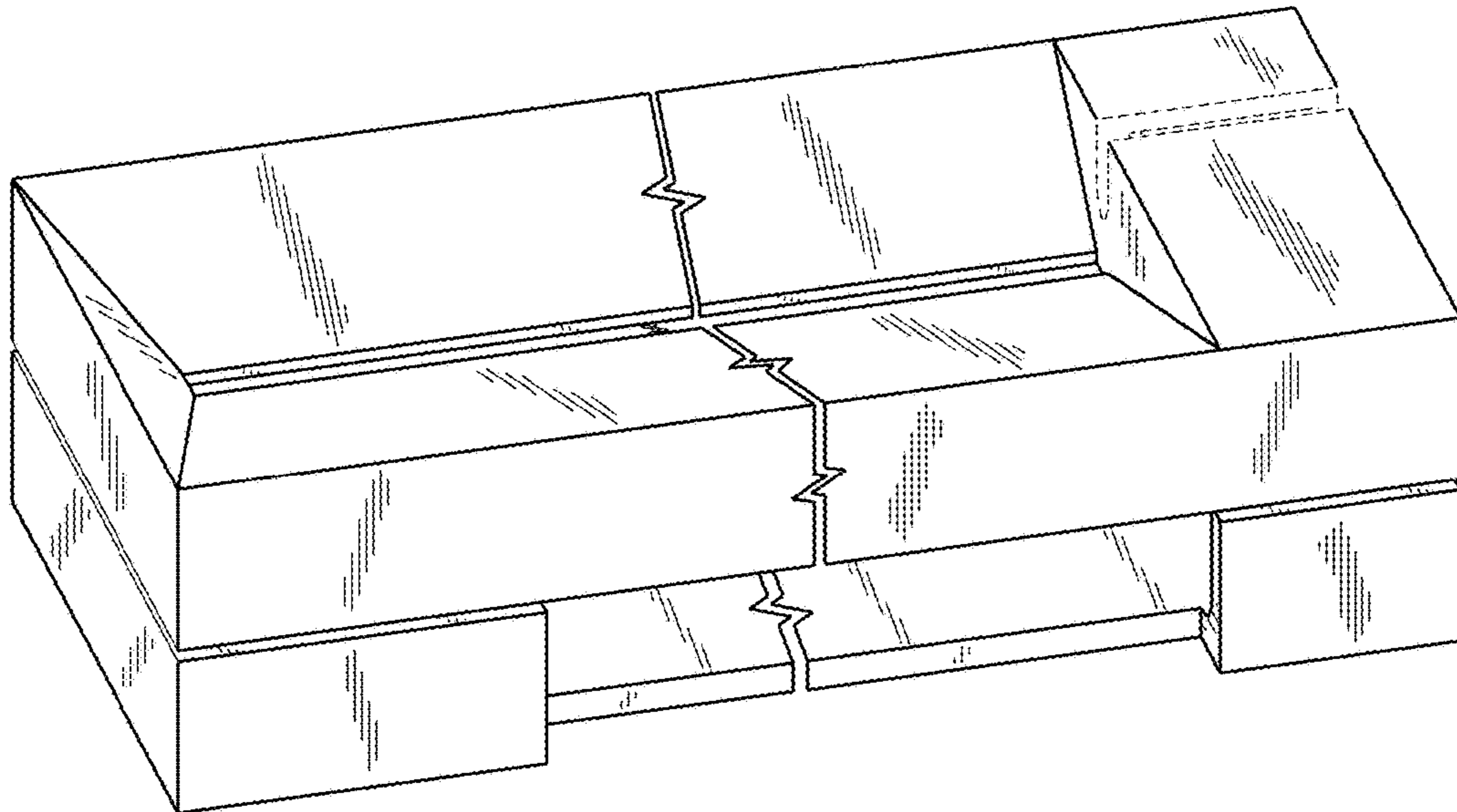


FIG. 1

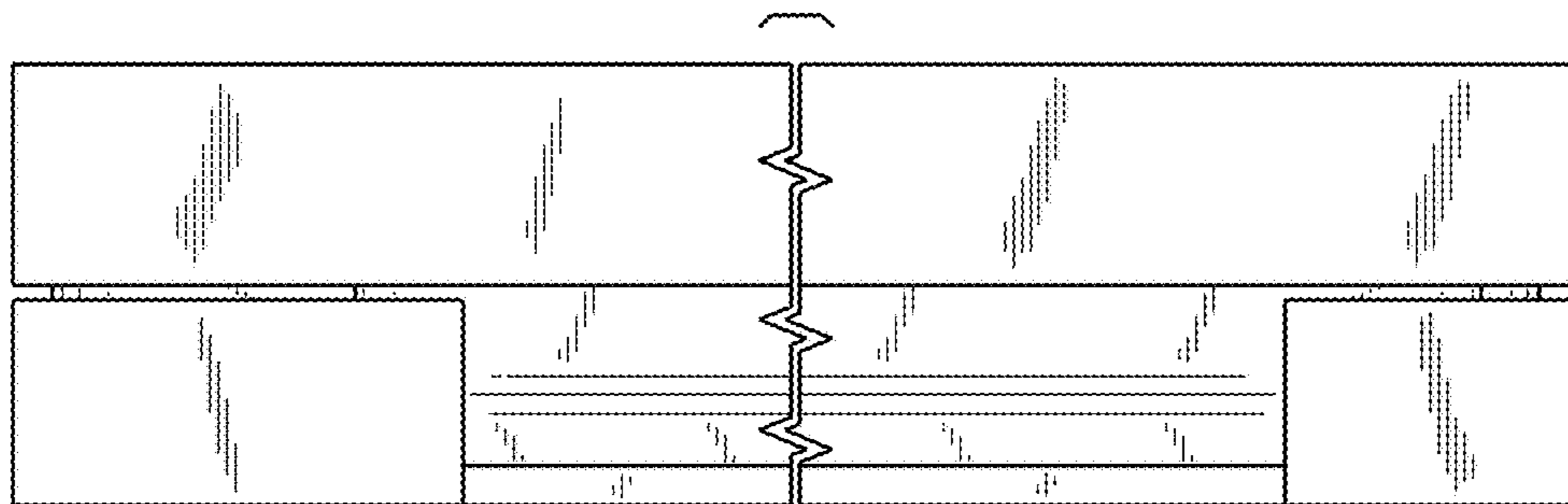


FIG. 2

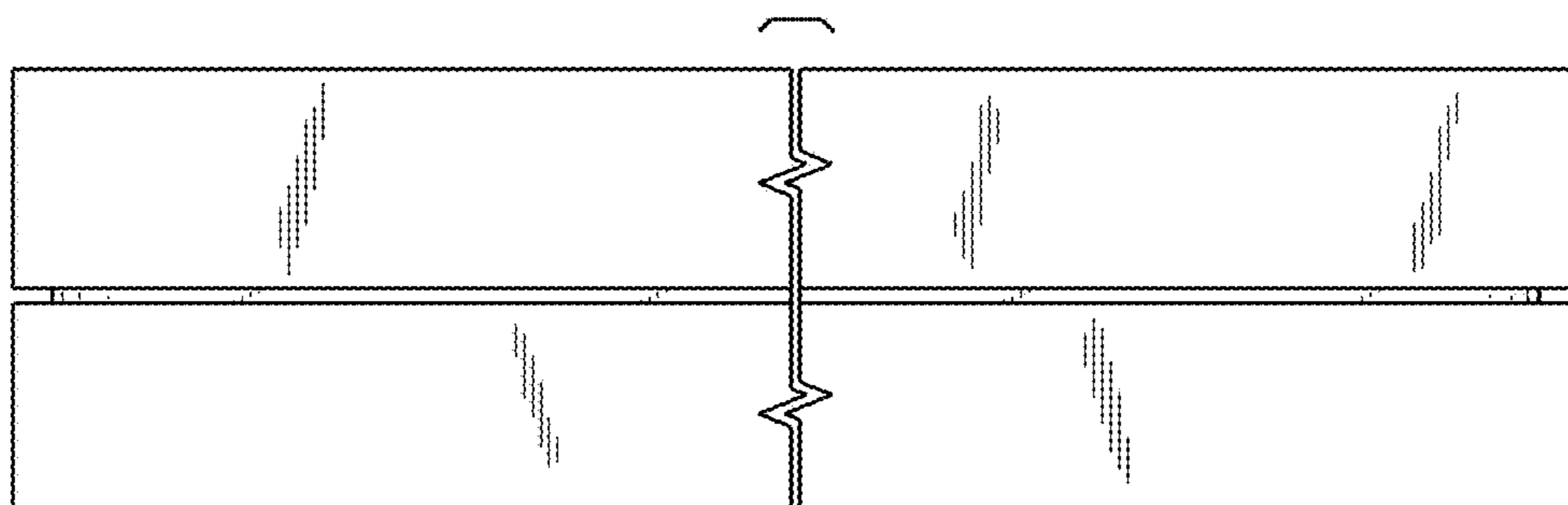


FIG. 3

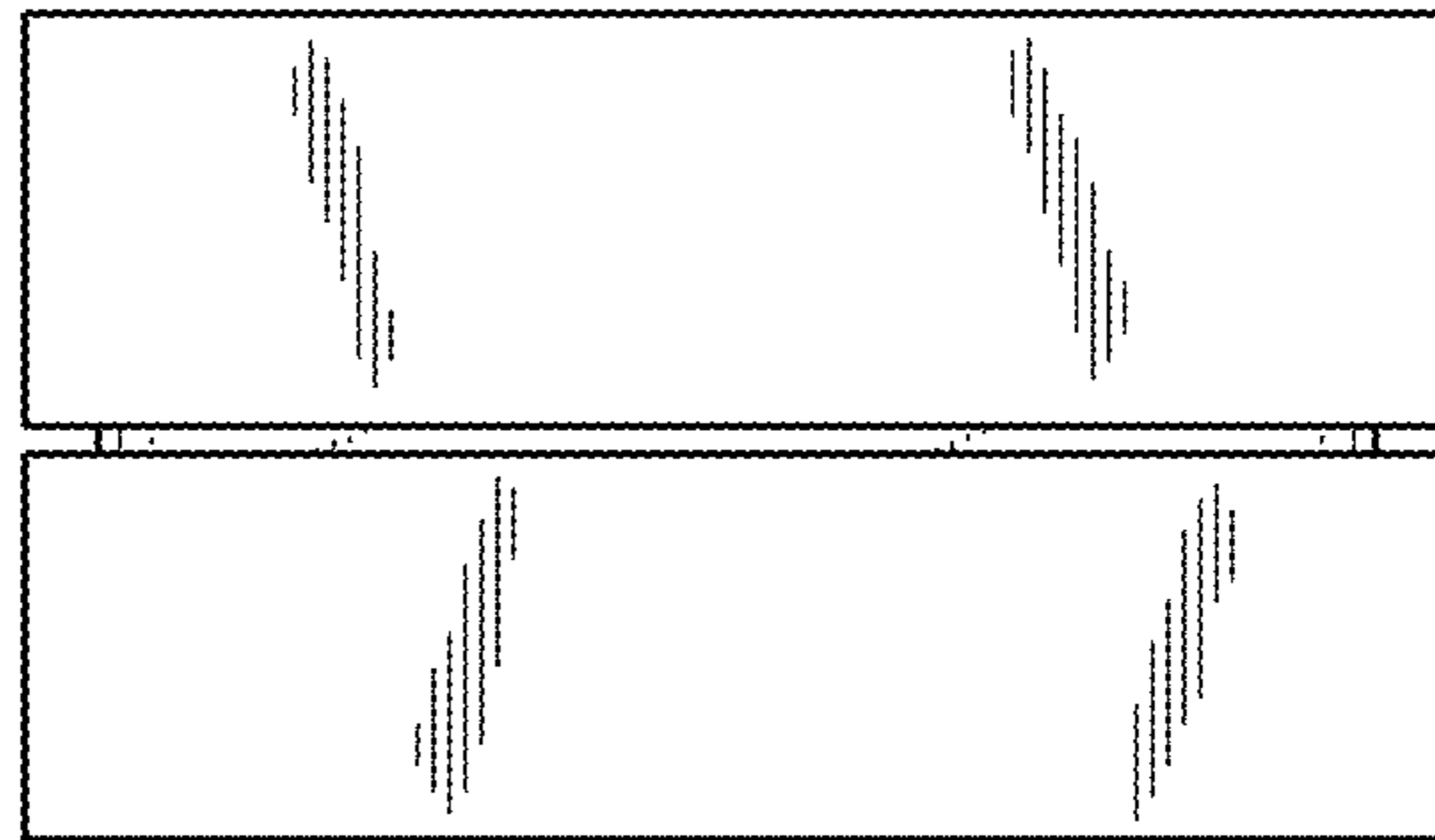


FIG. 4

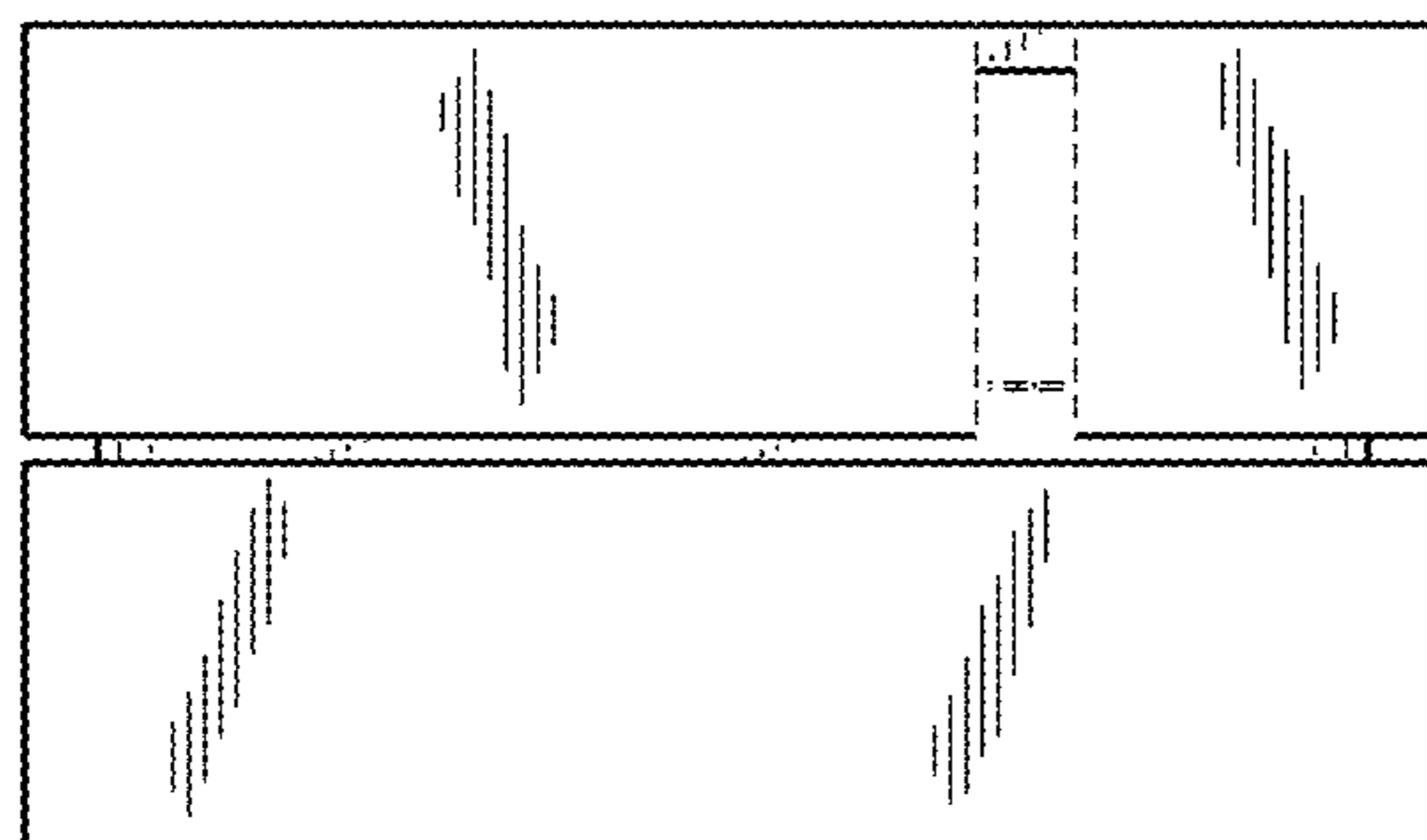


FIG. 5

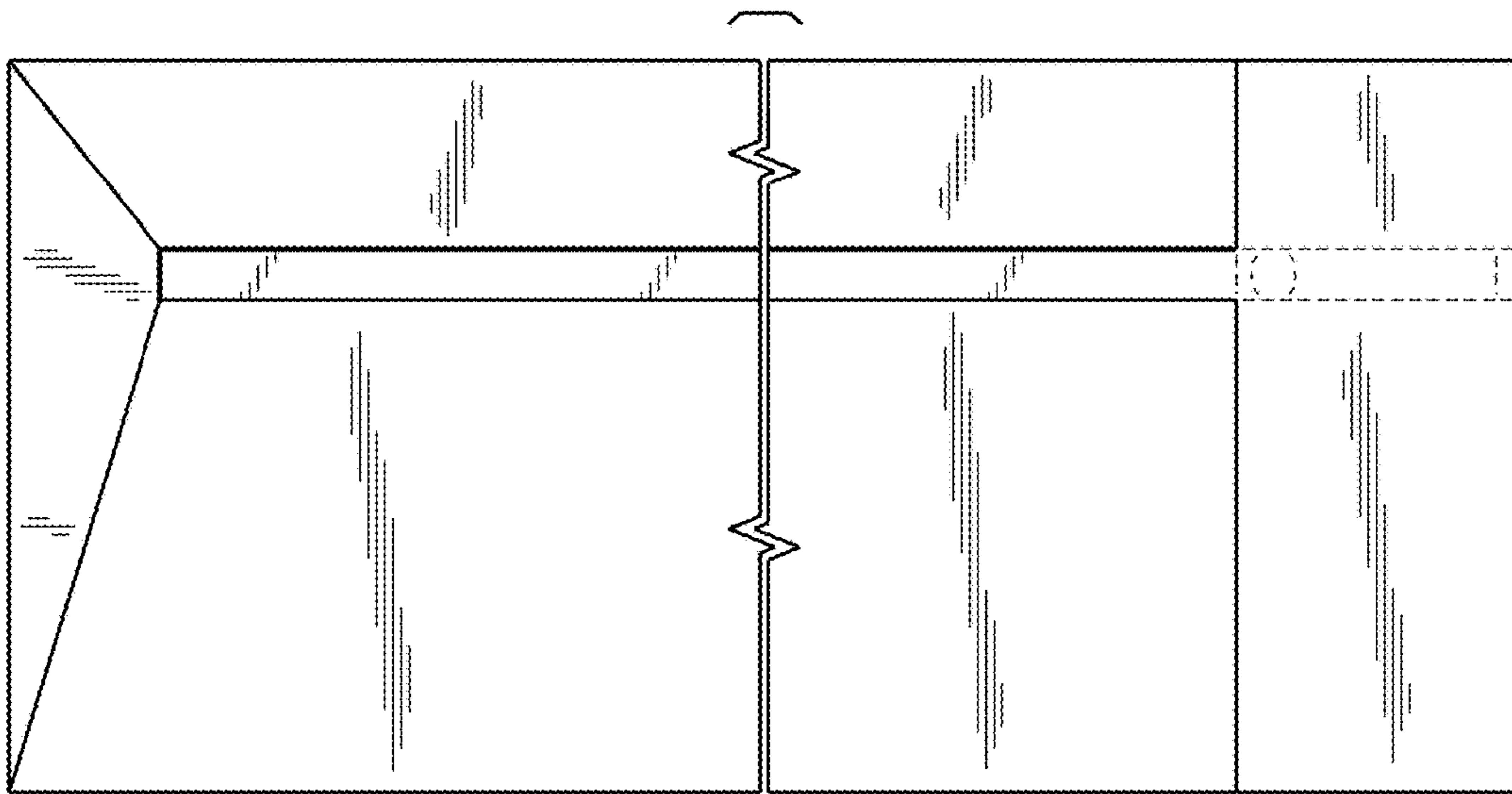


FIG. 6

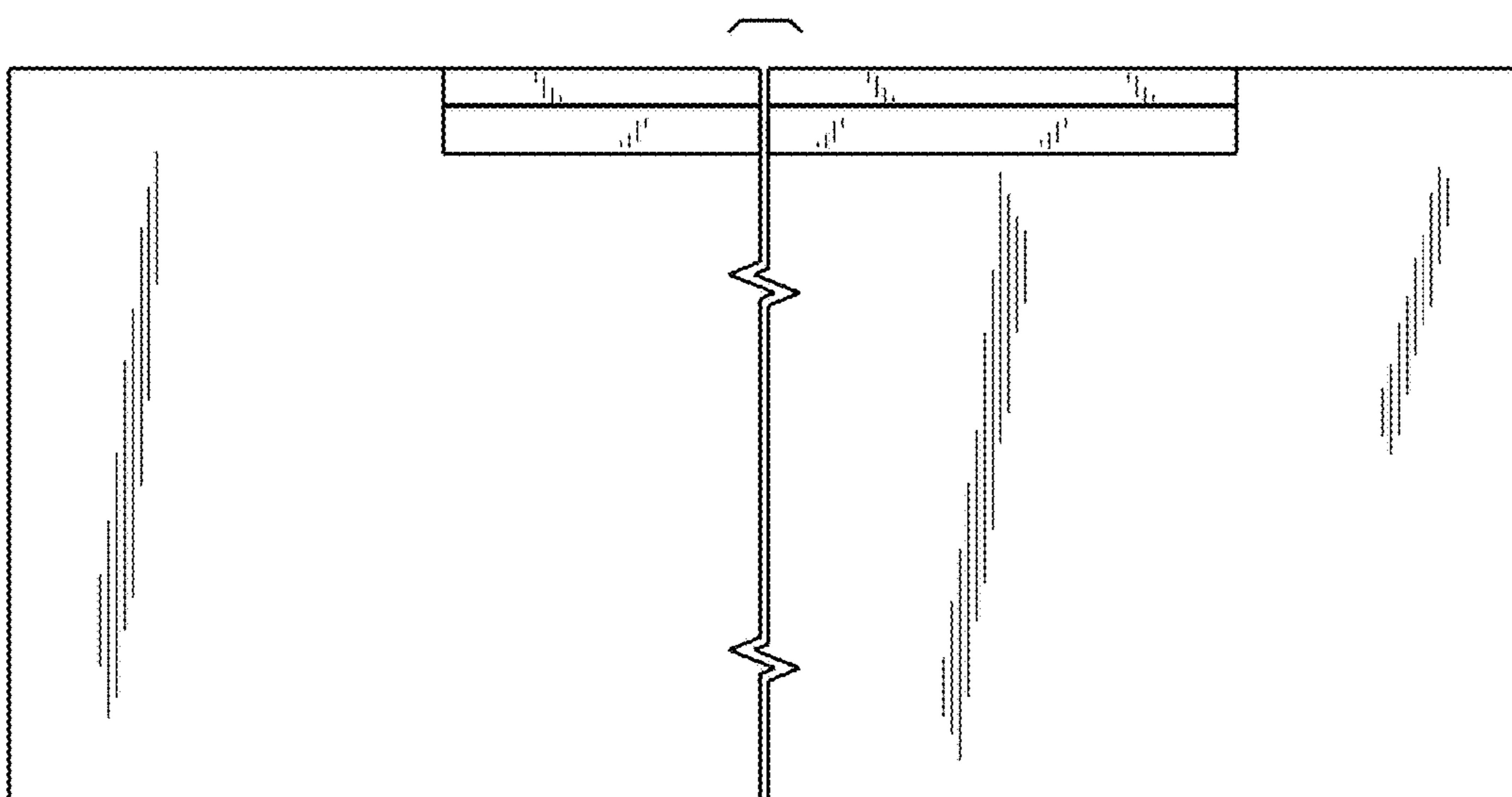


FIG. 7