



US00D809421S

(12) **United States Design Patent** (10) **Patent No.:** **US D809,421 S**
Rafaelian (45) **Date of Patent:** **** Feb. 6, 2018**

(54) **SLIDER FOR ARTICLES OF JEWELRY**

(71) Applicant: **Alex and Ani, LLC**, Cranston, RI (US)

(72) Inventor: **Carolyn A. Rafaelian**, Cranston, RI (US)

(73) Assignee: **Alex and Ani, LLC**, Cranston, RI (US)

(**) Term: **15 Years**

(21) Appl. No.: **29/535,565**

(22) Filed: **Aug. 7, 2015**

(51) **LOC (11) Cl.** **11-01**

(52) **U.S. Cl.**
USPC **D11/86**

(58) **Field of Classification Search**
USPC D11/1-2, 7, 40-44, 46-49, 53, 56, 57,
D11/59-61, 63, 65, 79-83, 86-87, 89-90,
(Continued)

(56) **References Cited**

U.S. PATENT DOCUMENTS

80,676 A 8/1868 Soule
D14,438 S 11/1883 Ahn
(Continued)

FOREIGN PATENT DOCUMENTS

FR 641676 A 8/1928
GB 2 122 873 A 1/1984
(Continued)

OTHER PUBLICATIONS

<http://www.rings-things.com/blog/2011/06/23-how-to-make-a-sliding-adjustable-necklace> (Last accessed Dec. 12, 2014).
(Continued)

Primary Examiner — Zenia Bennett

(74) *Attorney, Agent, or Firm* — Merchant & Gould P.C.

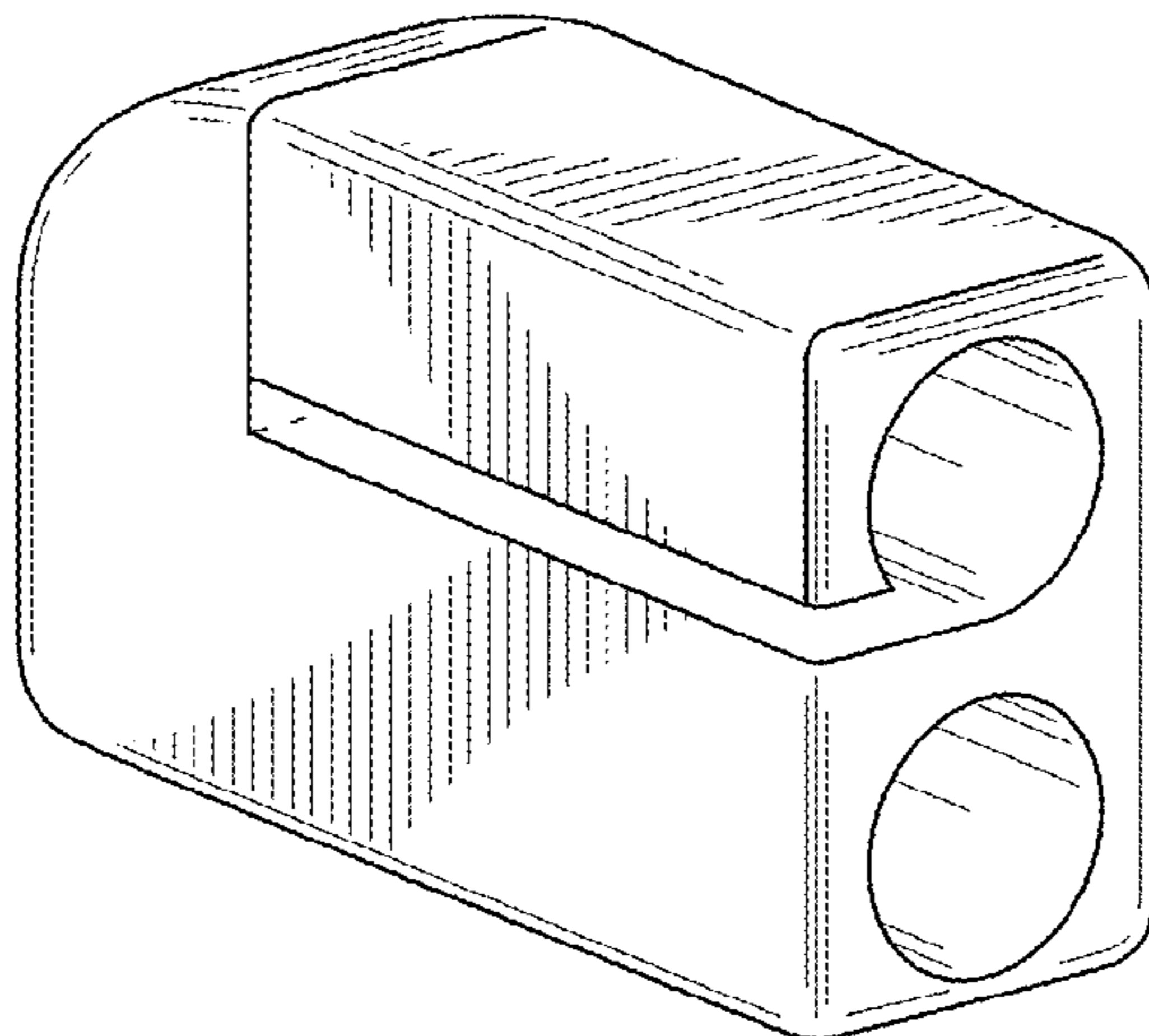
(57) **CLAIM**

The ornamental design for a slider for articles of jewelry, as shown and described.

DESCRIPTION

FIG. 1 is a perspective view of an embodiment of the slider for articles of jewelry of the subject disclosure;
 FIG. 2 is a front elevation view of the slider for articles of jewelry of FIG. 1;
 FIG. 3 is a rear elevation view of the slider for articles of jewelry of FIG. 1;
 FIG. 4 is a top plan view of the slider for articles of jewelry of FIG. 1;
 FIG. 5 is a rear plan view of the slider for articles of jewelry of FIG. 1;
 FIG. 6 is a left side elevation view of the slider for articles of jewelry of FIG. 1; and
 FIG. 7 is a right side elevation view of the slider for articles of jewelry of FIG. 1;
 FIG. 8 is a view of an embodiment of an article of jewelry including the slider for articles of jewelry of FIG. 1
 FIG. 9 is a perspective view of an embodiment of the slider for articles of jewelry of the subject disclosure;
 FIG. 10 is a front elevation view of the slider for articles of jewelry of FIG. 9;
 FIG. 11 is a rear elevation view of the slider for articles of jewelry of FIG. 9;
 FIG. 12 is a top plan view of the slider for articles of jewelry of FIG. 9;
 FIG. 13 is a rear plan view of the slider for articles of jewelry of FIG. 9;
 FIG. 14 is a left side elevation view of the slider for articles of jewelry of FIG. 9; and
 FIG. 15 is a right side elevation view of the slider for articles of jewelry of FIG. 9; and,
 FIG. 16 is a view of an embodiment of an article of jewelry including the slider for articles of jewelry of FIG. 9.
 The broken lines shown in the drawings do not form part of the claimed design.

1 Claim, 2 Drawing Sheets



(58) **Field of Classification Search**
 USPC D11/91-92, 99, 101, 106, 114-116,
 D11/200-201; 63/3, 3.1, 12-14.9
 CPC A44C 5/00; A44C 5/0007; A44C 5/14;
 A44C 5/142; A44C 5/185; A44C 5/2057;
 A44C 5/2071; A44C 5/2076
 See application file for complete search history.

D663,233	S	7/2012	Rafaelian
D664,466	S	7/2012	Rafaelian
D678,102	S	3/2013	Rafaelian
8,590,341	B2	11/2013	MacMaster
D703,088	S	4/2014	Fiasconaro
D704,085	S	5/2014	DiPietro
D707,150	S	6/2014	Pugnet
D716,175	S	10/2014	Rosenel
D724,470	S	3/2015	Rafaelian
D724,473	S	3/2015	Blondet
D724,985	S	3/2015	Blondet
D724,986	S	3/2015	Blondet
D738,773	S	9/2015	Rafaelian
D749,452	S	2/2016	Butler
9,301,580	B1	4/2016	Rafaelian
D759,532	S	6/2016	Mazza
9,420,858	B2 *	8/2016	Rafaelian A44C 5/0069
D784,843	S *	4/2017	Rafaelian D11/5
D785,485	S *	5/2017	Rafaelian D11/13
D786,118	S *	5/2017	Rafaelian D11/13
2006/0000116	A1	1/2006	Brewer
2008/0245048	A1	10/2008	Moore
2011/0314866	A1	12/2011	Niikura
2014/0014693	A1	1/2014	Korotkina
2014/0090215	A1	4/2014	Lixenberg
2015/0320152	A1	11/2015	Rafaelian
2015/0359301	A1	12/2015	Lavorato et al.

(56) **References Cited**
 U.S. PATENT DOCUMENTS

434,220	A	8/1890	Whitney
895,078	A	8/1908	Doppenschmitt
993,303	A	7/1910	Kirby
1,689,251	A	10/1928	Ogush
1,708,470	A	4/1929	Eckert et al.
2,263,956	A	11/1941	Russell
2,325,712	A	8/1943	Shurmur
2,484,200	A	10/1949	Werntz
2,492,393	A	12/1949	Muray
2,637,884	A	5/1953	Morehouse
3,217,514	A	11/1965	Newman
3,675,277	A	7/1972	Day
3,837,608	A	9/1974	Simon
3,872,833	A	3/1975	Herbert
D256,789	S	9/1980	Mazzini
D256,899	S	9/1980	Mazzini
4,334,413	A	6/1982	Gaston et al.
D267,159	S	12/1982	Borofksy et al.
4,499,634	A	2/1985	Zimmardi
D305,611	S	1/1990	Herzog
4,996,948	A	5/1991	Klein et al.
5,307,582	A	5/1994	Quintel
6,170,250	B1	1/2001	Hara et al.
6,618,910	B1	9/2003	Pontaoe
6,641,100	B2	11/2003	Furukawa
D522,351	S	6/2006	Taylor
7,066,113	B2	6/2006	Cheng et al.
7,237,307	B2	7/2007	Feschuk
D644,551	S	9/2011	Aug et al.
D663,232	S	7/2012	Rafaelian

FOREIGN PATENT DOCUMENTS

JP	D1177437	S	6/2003
JP	D1268404	S	4/2006
JP	1467955	S	7/2013
JP	1467957	S	7/2013
JP	D1496501	S	5/2014
KR	3008138520000		9/2005

OTHER PUBLICATIONS

<http://www.icecarats.com/Sterling-Silver-Black-Leather-Expandable-Cord-Bracelet-312709> (Last accessed Dec. 12, 2014).

* cited by examiner

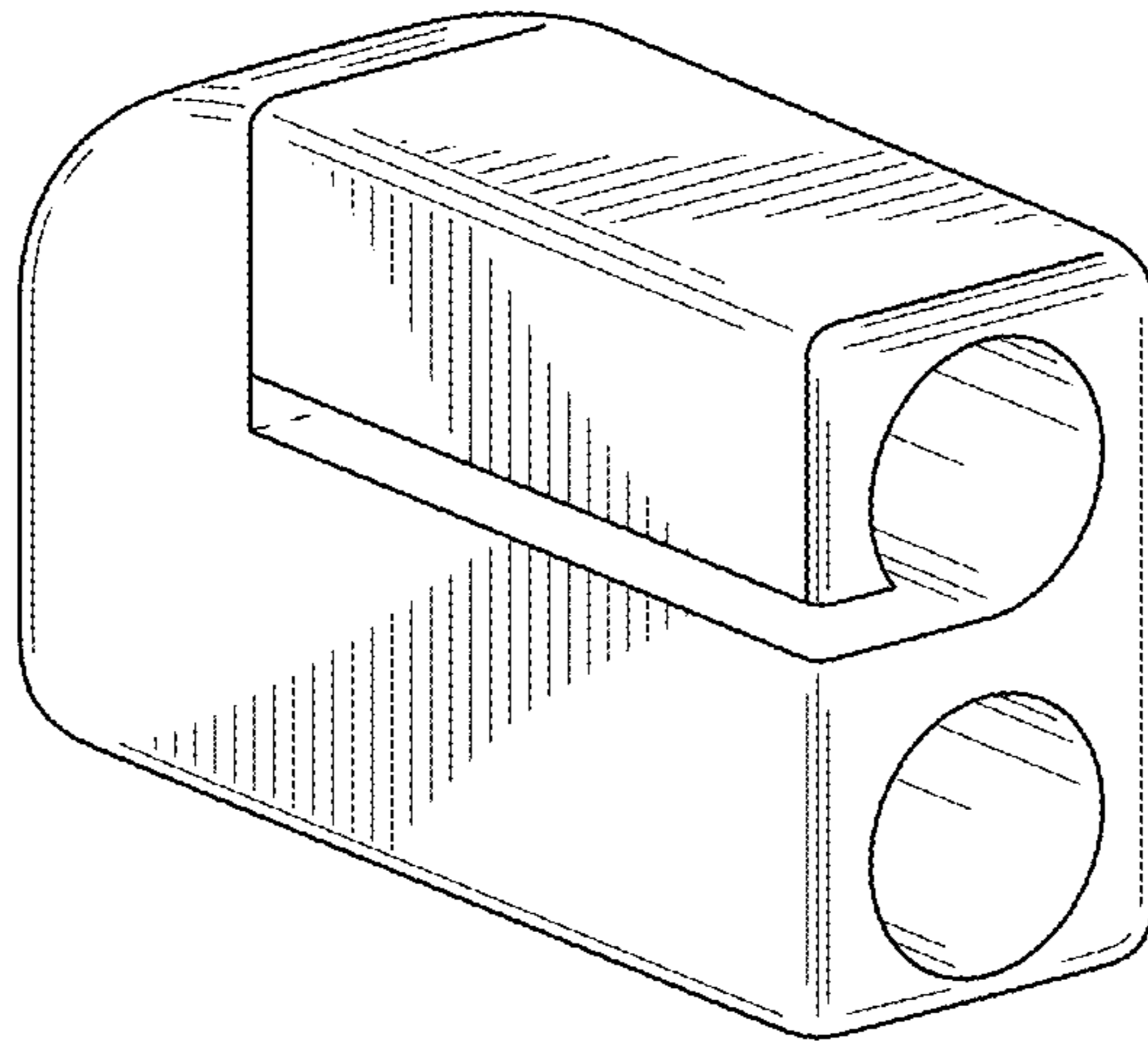


FIG. 1

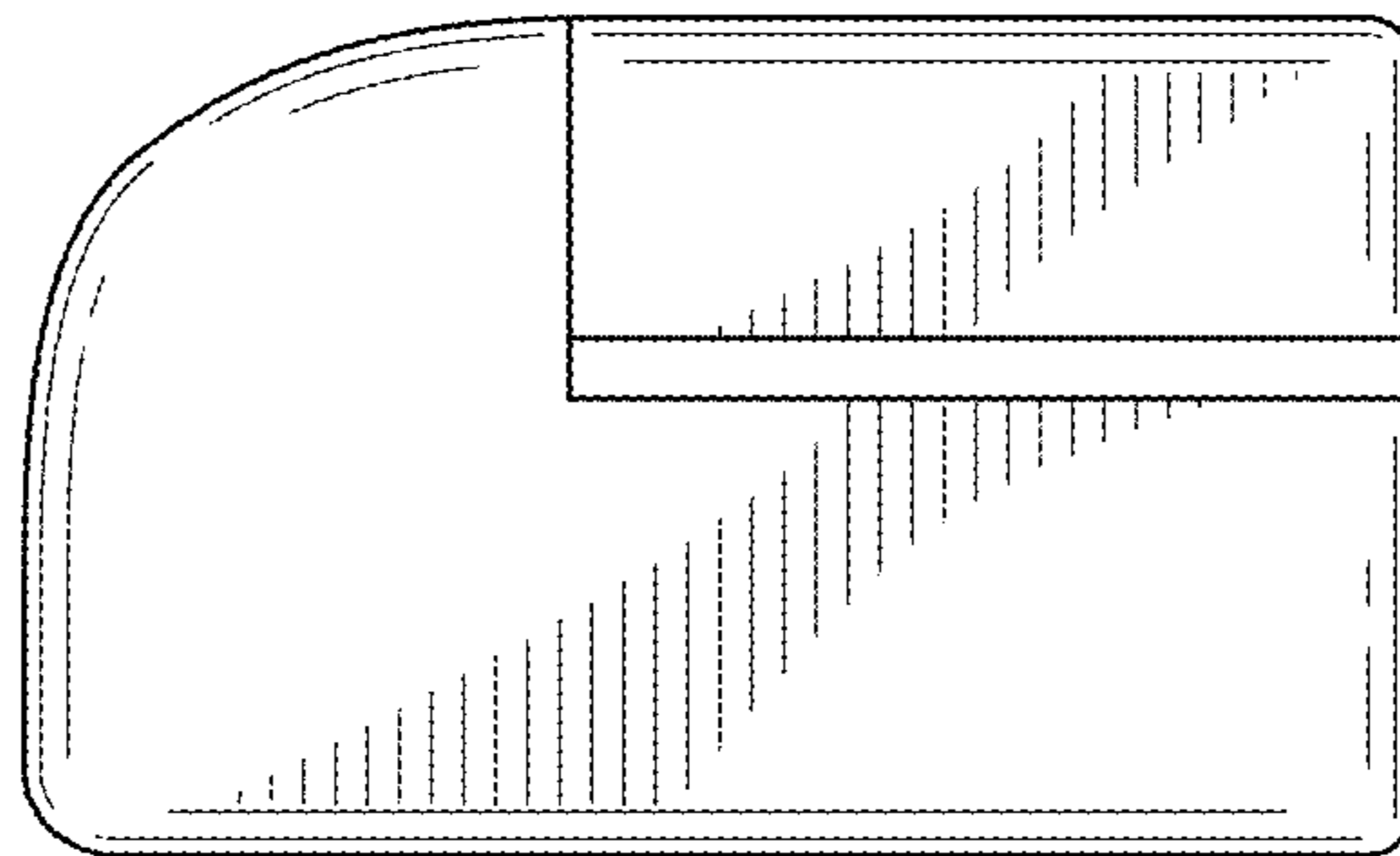


FIG. 2

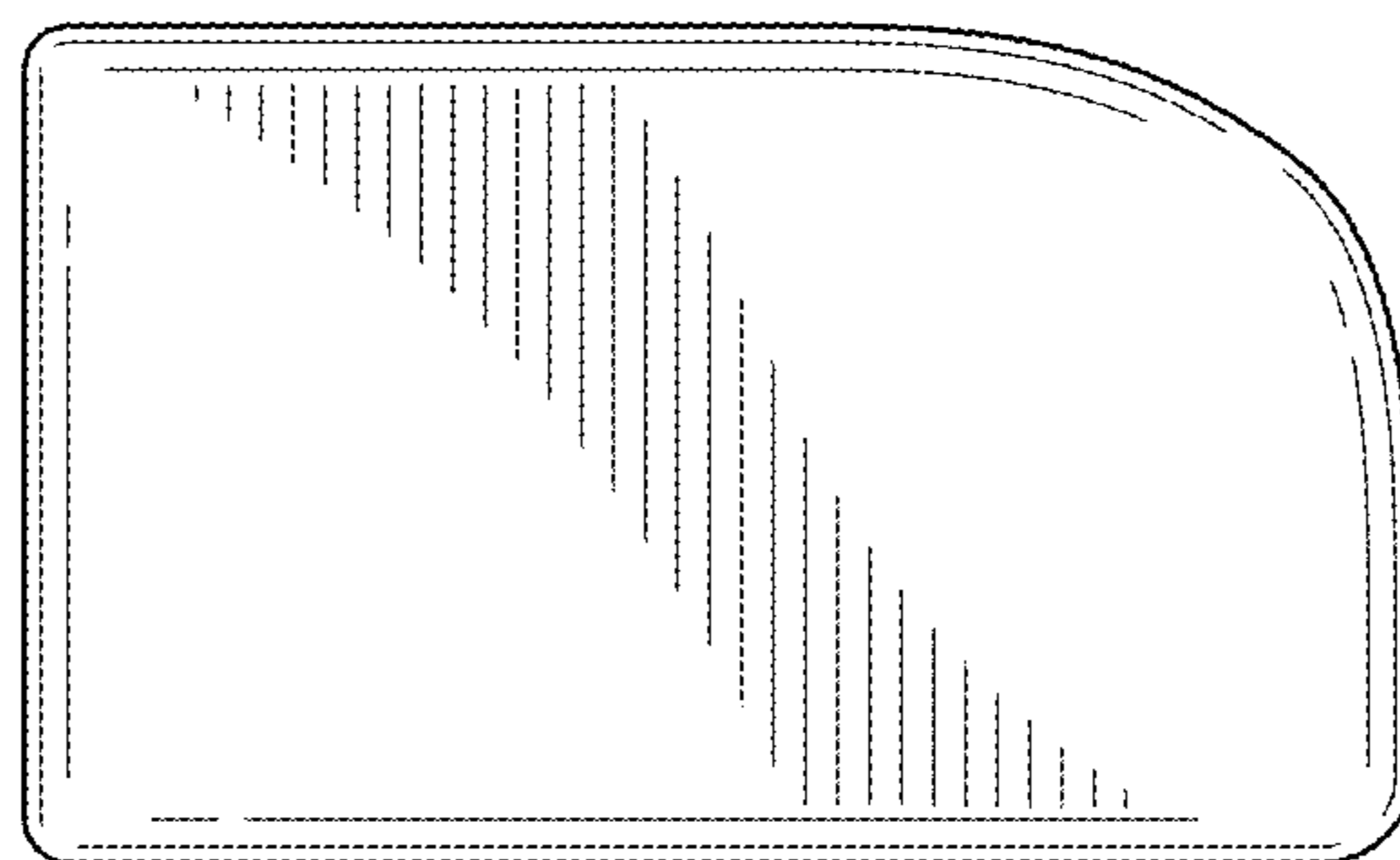


FIG. 3

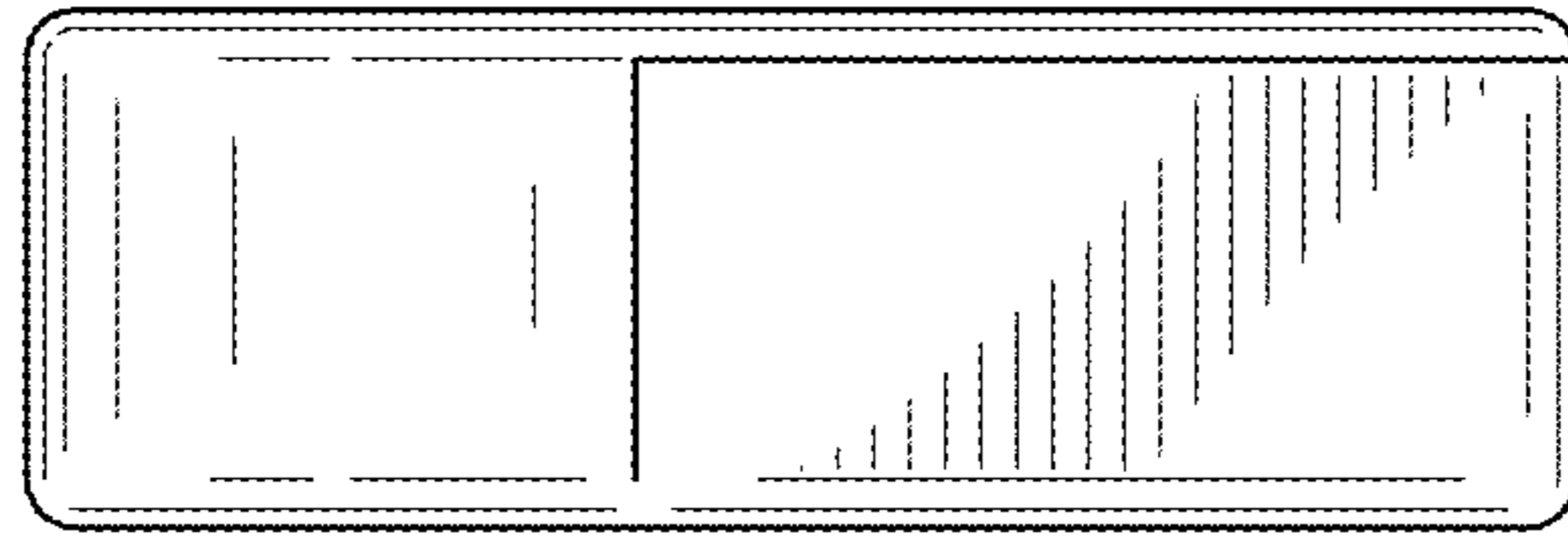


FIG. 4

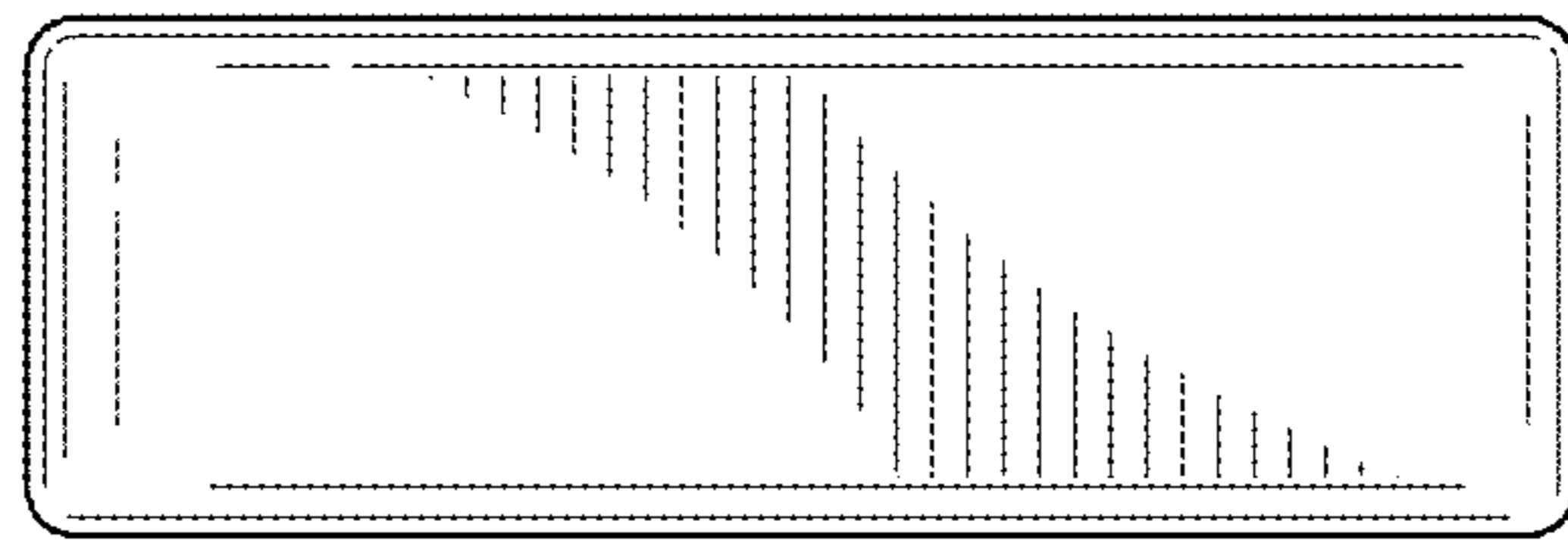


FIG. 5

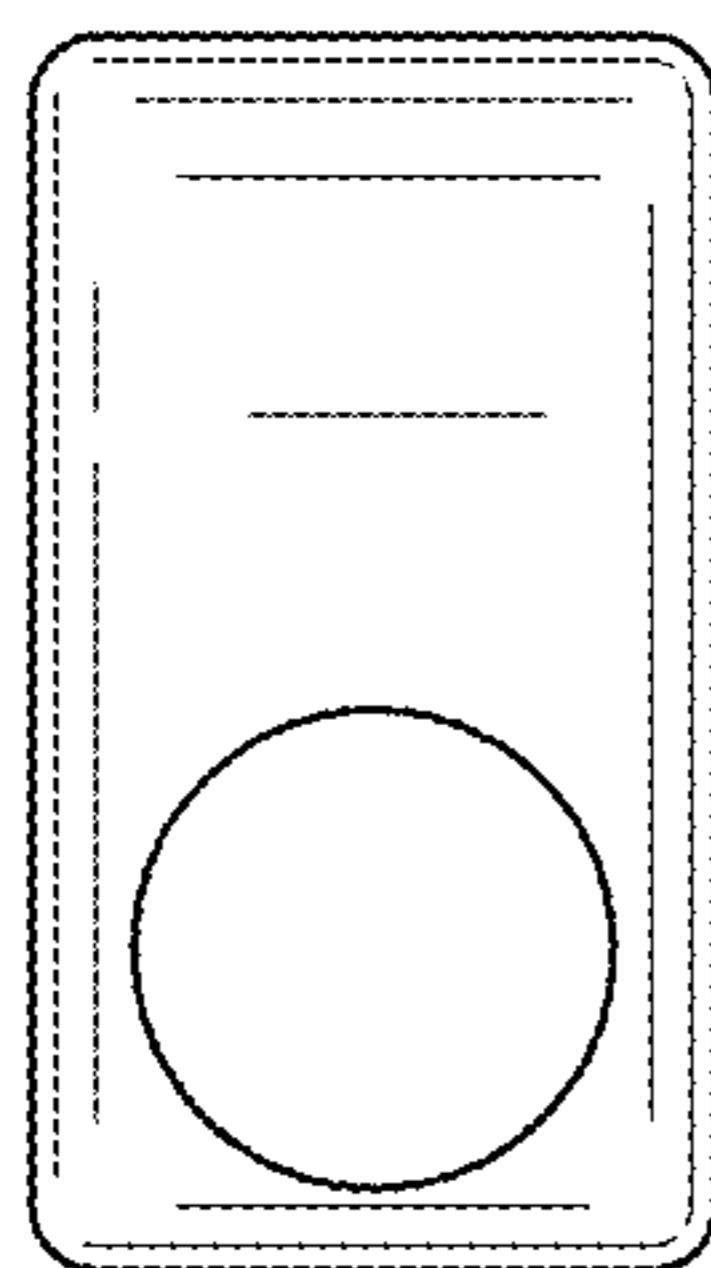


FIG. 6

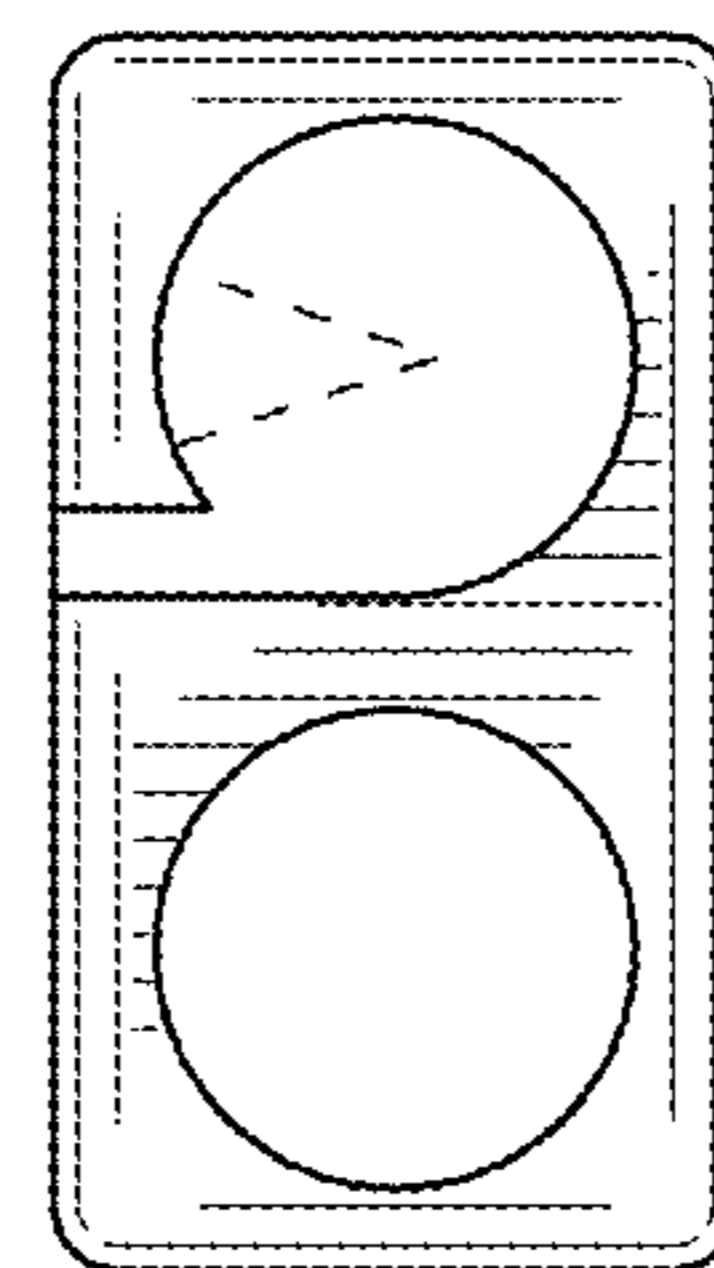


FIG. 7