



US00D809414S

(12) **United States Design Patent**
Komulainen

(10) **Patent No.:** **US D809,414 S**

(45) **Date of Patent:** **** Feb. 6, 2018**

(54) **WRISTBAND OF PERSONAL LIFESTYLE MONITORING AND MANAGEMENT DEVICE**

(71) Applicant: **Polar Electro Oy**, Kempele (FI)

(72) Inventor: **Olli Komulainen**, Oulu (FI)

(73) Assignee: **POLAR ELECTRO OY**, Kempele (FI)

(**) Term: **15 Years**

(21) Appl. No.: **29/552,801**

(22) Filed: **Jan. 26, 2016**

(30) **Foreign Application Priority Data**

Dec. 10, 2015 (EM) 002904698-0002

(51) **LOC (11) Cl.** **11-01**

(52) **U.S. Cl.**
USPC **D11/3**

(58) **Field of Classification Search**

USPC D10/30, 31, 32, 38, 39, 46, 70, 128;
D11/1-25; D14/344; D24/167, 186
CPC A44C 5/00; A44C 5/12; A44C 5/14; A44C
5/18; A44C 5/147; A44C 5/185; A44C
5/2047; A44C 5/2052; A44C 5/0007;
A44C 5/003; A44C 5/0015; A44C
5/0023; A44C 5/0053; A44C 5/0061;
A44C 5/0069; A44C 5/0076; A44B
11/24; A44B 11/006
See application file for complete search history.

(56) **References Cited**

U.S. PATENT DOCUMENTS

D545,220 S * 6/2007 Leung D10/31
D715,668 S * 10/2014 Roush D10/70
D721,978 S * 2/2015 Tovar D10/31
D738,772 S * 9/2015 Choi D11/3
9,122,250 B2 * 9/2015 Hoffman G04F 10/00
D752,579 S * 3/2016 Lee D14/344

D762,210 S * 7/2016 Lee D14/344
D767,769 S * 9/2016 Suvilaakso D24/186
D768,528 S * 10/2016 Jung D11/3
D768,529 S * 10/2016 Jung D11/3
D768,858 S * 10/2016 Komulainen D24/167
D770,321 S * 11/2016 Murphy D11/3

OTHER PUBLICATIONS

Changeable A360 Wristband (available online Nov. 2, 2015)
Retrieved from the internet Jan. 6, 2017, retrieved from the internet
URL:http://www.polar.com/us-en/products/accessories/A360_wristband.*

* cited by examiner

Primary Examiner — Garth Rademaker

Assistant Examiner — Richard Kearney

(74) *Attorney, Agent, or Firm* — Hoffmann & Baron, LLP

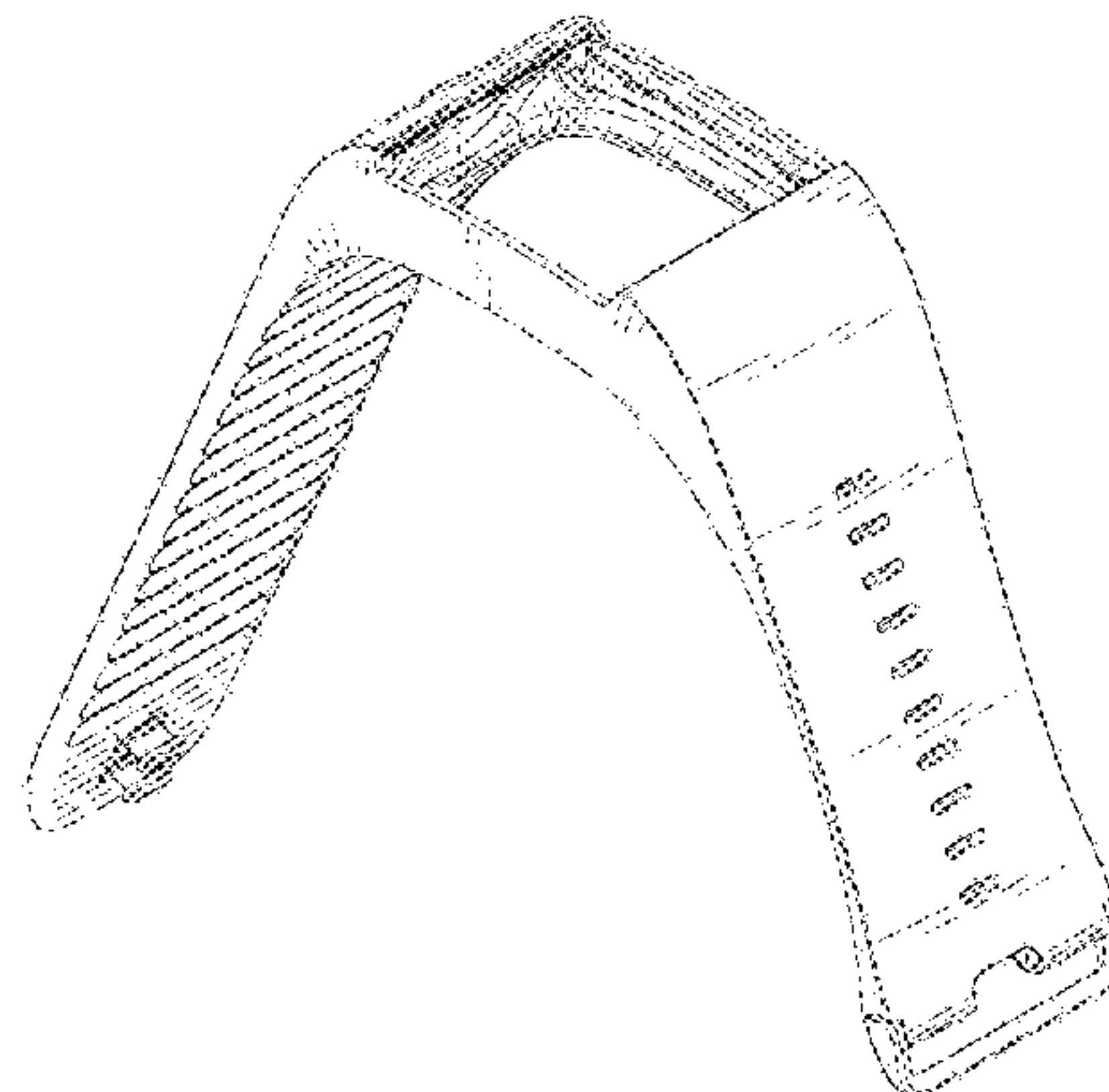
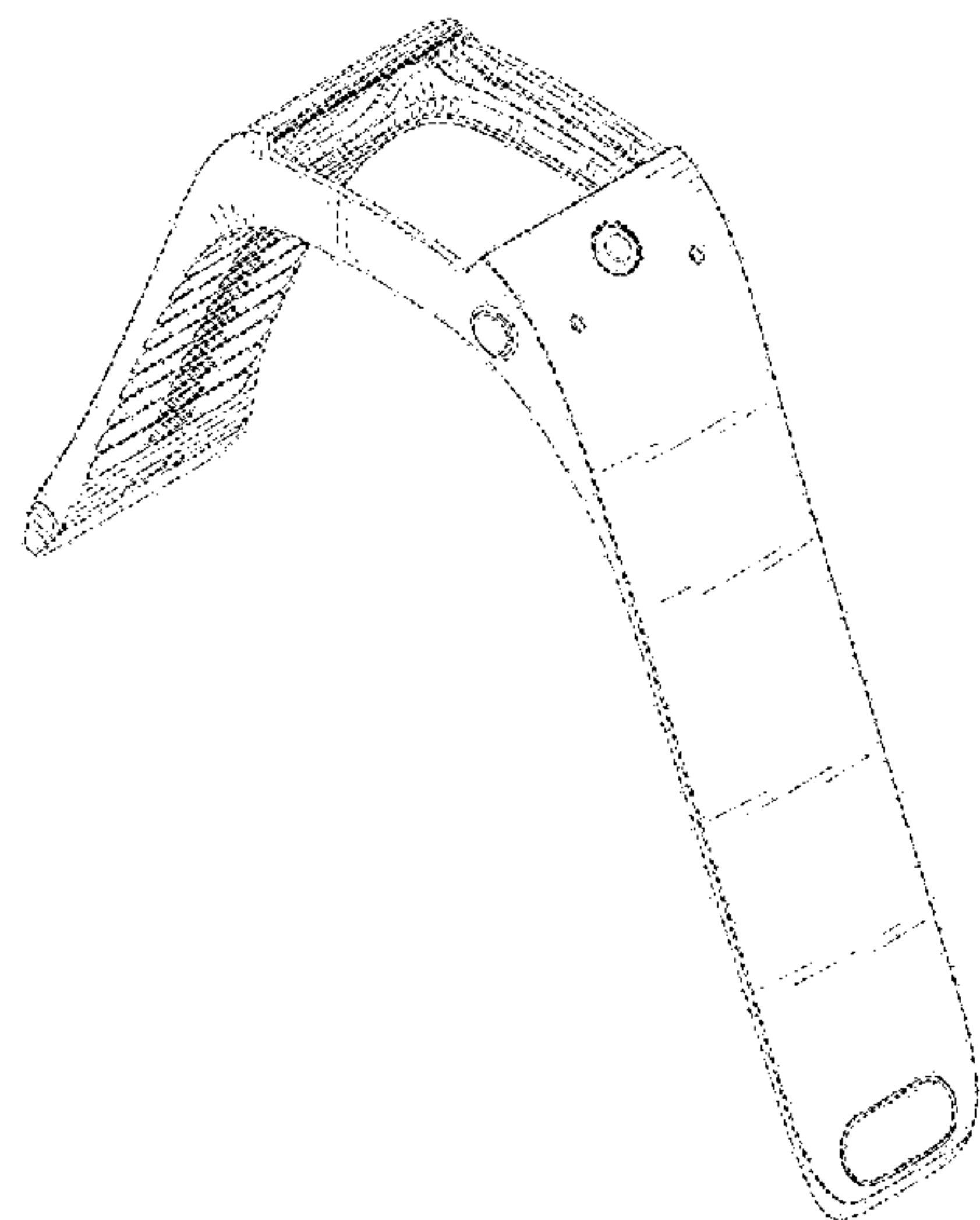
(57) **CLAIM**

The ornamental design for a wristband of personal lifestyle monitoring and management device, as shown and described.

DESCRIPTION

FIG. 1 is a left isometric view of the wristband of personal lifestyle monitoring and management device;
FIG. 2 is a right isometric view of the wristband of personal lifestyle monitoring and management device;
FIG. 3 is a front view of the wristband of personal lifestyle monitoring and management device;
FIG. 4 is a rear view of the wristband of personal lifestyle monitoring and management device;
FIG. 5 is a right-side view of the wristband of personal lifestyle monitoring and management device; and,
FIG. 6 is a left-side view of the wristband of personal lifestyle monitoring and management device.
The broken lines shown in the drawings illustrate portions of the article and form no part of the claimed design.

1 Claim, 6 Drawing Sheets



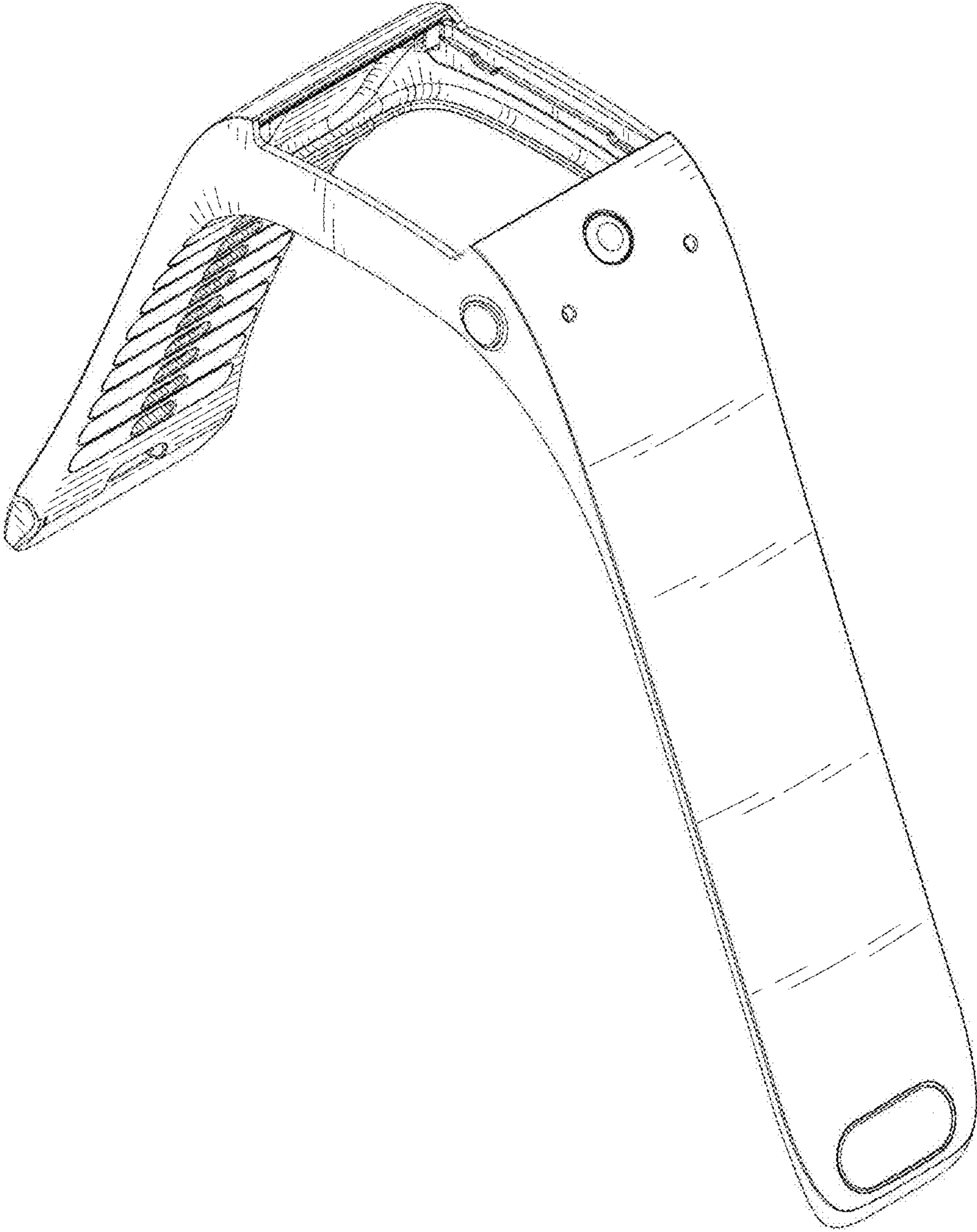


FIG. 1

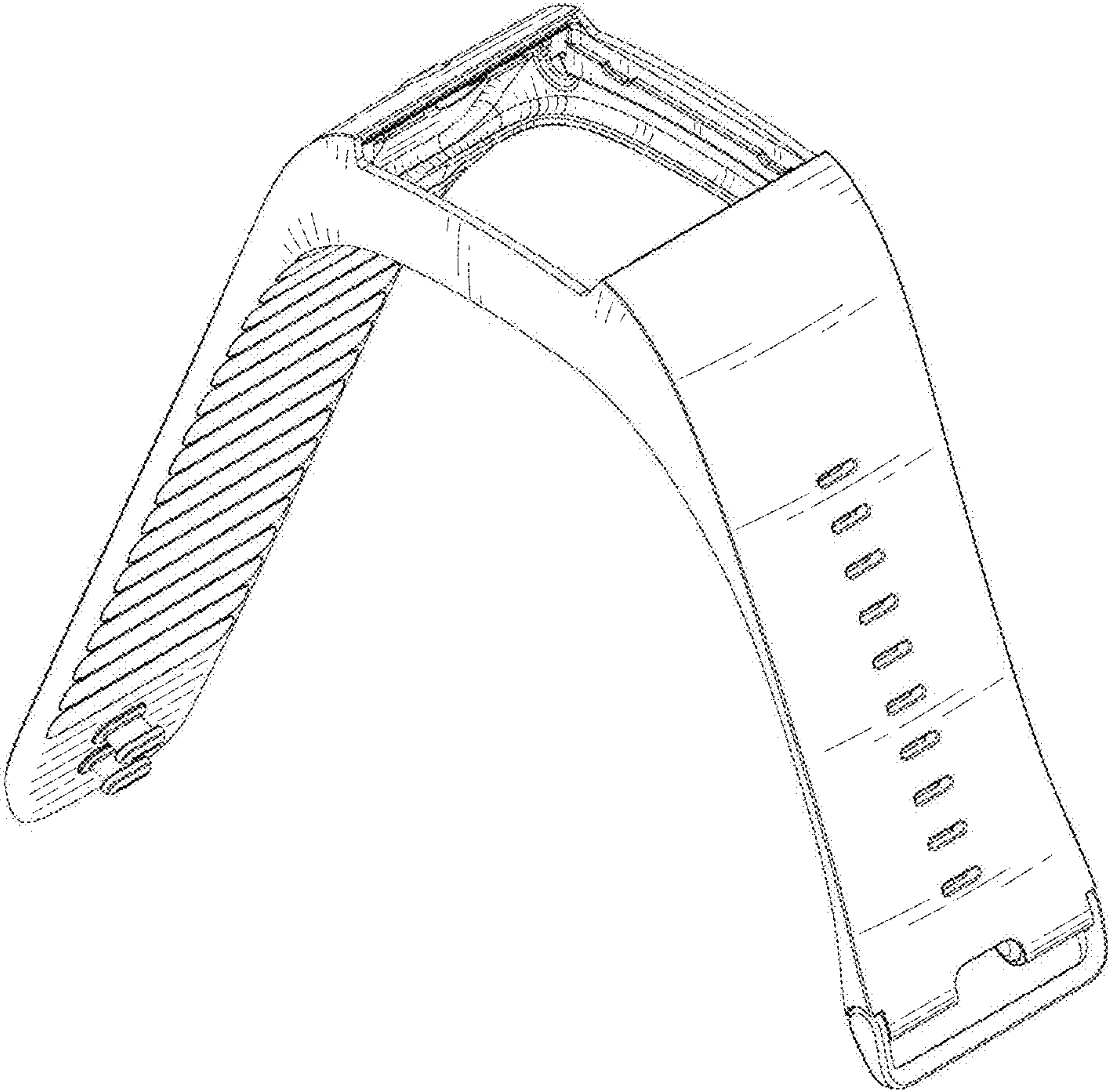


FIG. 2

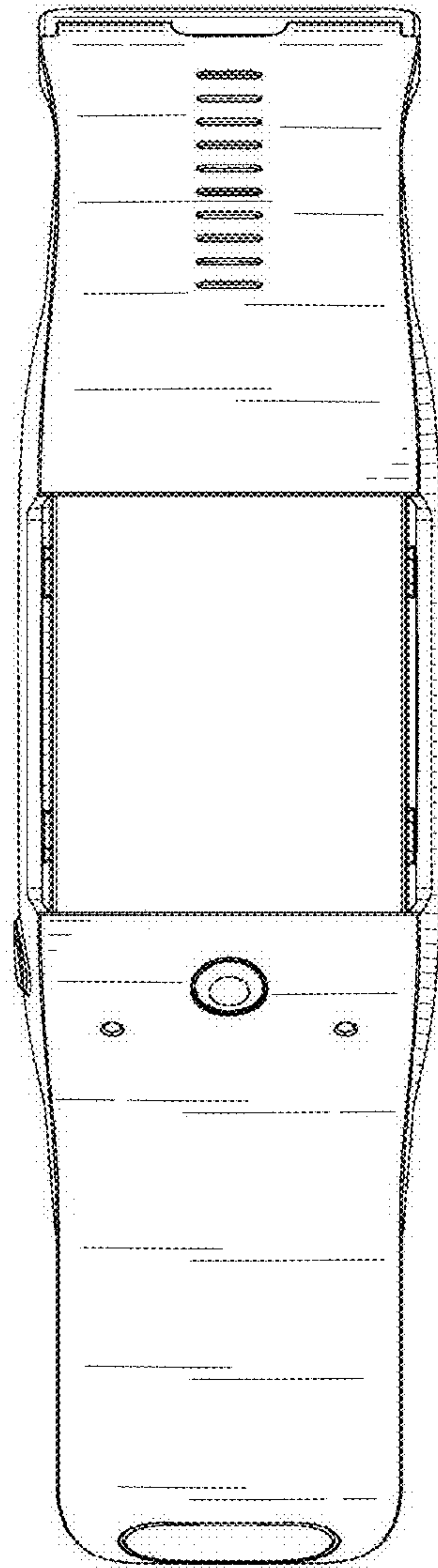


FIG. 3

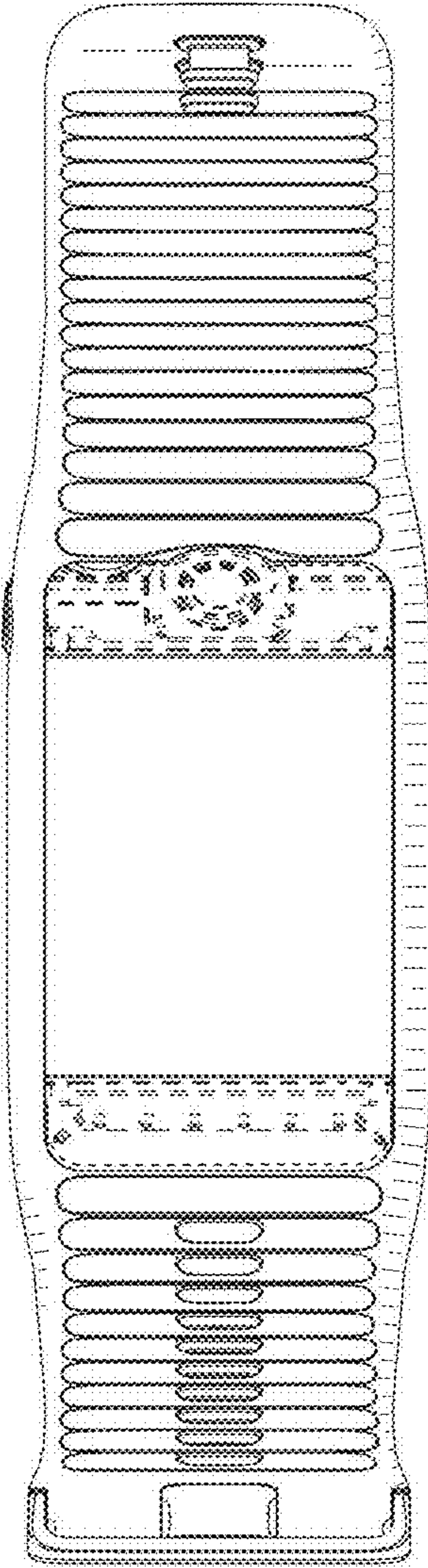


FIG. 4

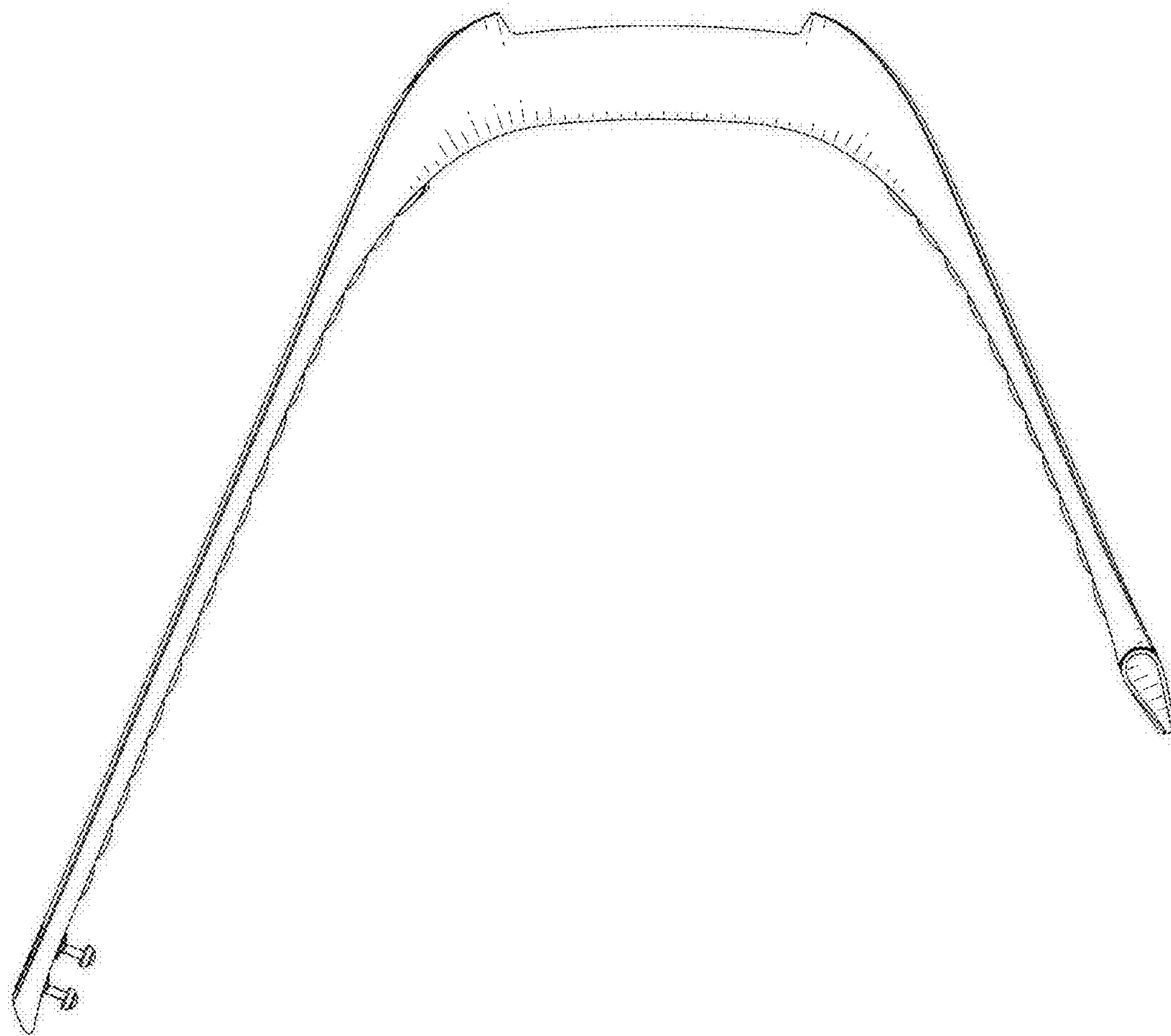


FIG. 5

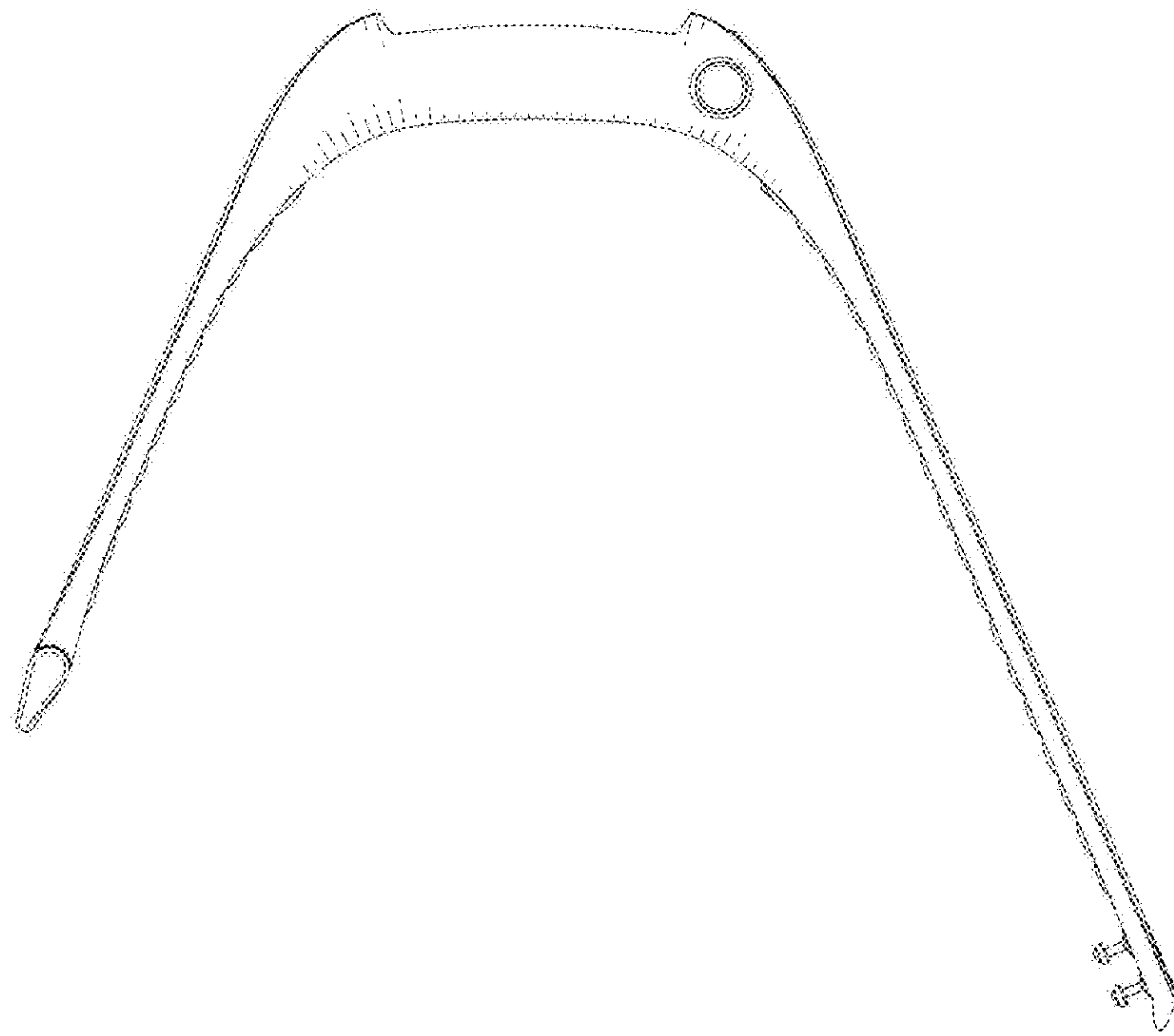


FIG. 6