



US00D809413S

(12) **United States Design Patent** (10) **Patent No.:** **US D809,413 S**
Prince et al. (45) **Date of Patent:** **** Feb. 6, 2018**

(54) **WATCH FACE**
(71) Applicant: **Alexander B. Wellen**, Atlanta, GA (US)
(72) Inventors: **David J. Prince**, St. Paul, MN (US);
Alexander B. Wellen, Atlanta, GA (US)
(73) Assignee: **Alexander Wellen**, Atlanta, GA (US)
(**) Term: **15 Years**
(21) Appl. No.: **29/539,948**
(22) Filed: **Sep. 18, 2015**

D136,341 S * 9/1943 Dupin D10/38
2,736,165 A * 2/1956 Piquerez G04B 39/04
368/296
D224,433 S 7/1972 Sicherman
3,786,627 A 1/1974 Takagi et al.
D242,694 S 12/1976 Thompson et al.
D284,556 S 7/1986 Kanoui
D286,755 S * 11/1986 Manfredi D10/39
D296,994 S * 8/1988 Lauper D10/131
D299,316 S 1/1989 Vickery
D312,793 S * 12/1990 Fujiwara D10/39
D314,710 S 2/1991 Weil
D316,050 S * 4/1991 Weil D10/32
D321,835 S 11/1991 Hirabayashi
D326,419 S 5/1992 Bulgari
(Continued)

Related U.S. Application Data

(63) Continuation-in-part of application No. 29/452,722,
filed on Apr. 19, 2013, now Pat. No. Des. 743,827.
(51) **LOC (11) Cl.** **10-07**
(52) **U.S. Cl.**
USPC **D10/126**
(58) **Field of Classification Search**
USPC D10/1-41, 122-124, 126, 128, 131;
D14/344, 138 R; D24/167, 186;
D11/3-7, 40, 43
CPC G04B 19/00; G04B 19/06; G04B 19/08;
G04B 19/10; G04B 19/108; G04B 19/22;
G04B 19/26; G04B 19/262; G04B 37/00;
G04B 37/081; G04B 37/084; G04B
37/05; G04B 37/10; G04B 37/1446;
G04B 37/1466; G08B 25/016; G04G
17/00; G04G 17/08; G04D 7/12; G04D
7/1214
See application file for complete search history.

OTHER PUBLICATIONS

U.S. Appl. No. 29/452,722, Restriction Requirement, dated Dec. 24,
2014.

(Continued)

Primary Examiner — Sandra Snapp
(74) *Attorney, Agent, or Firm* — Winston & Strawn LLP

(57) **CLAIM**

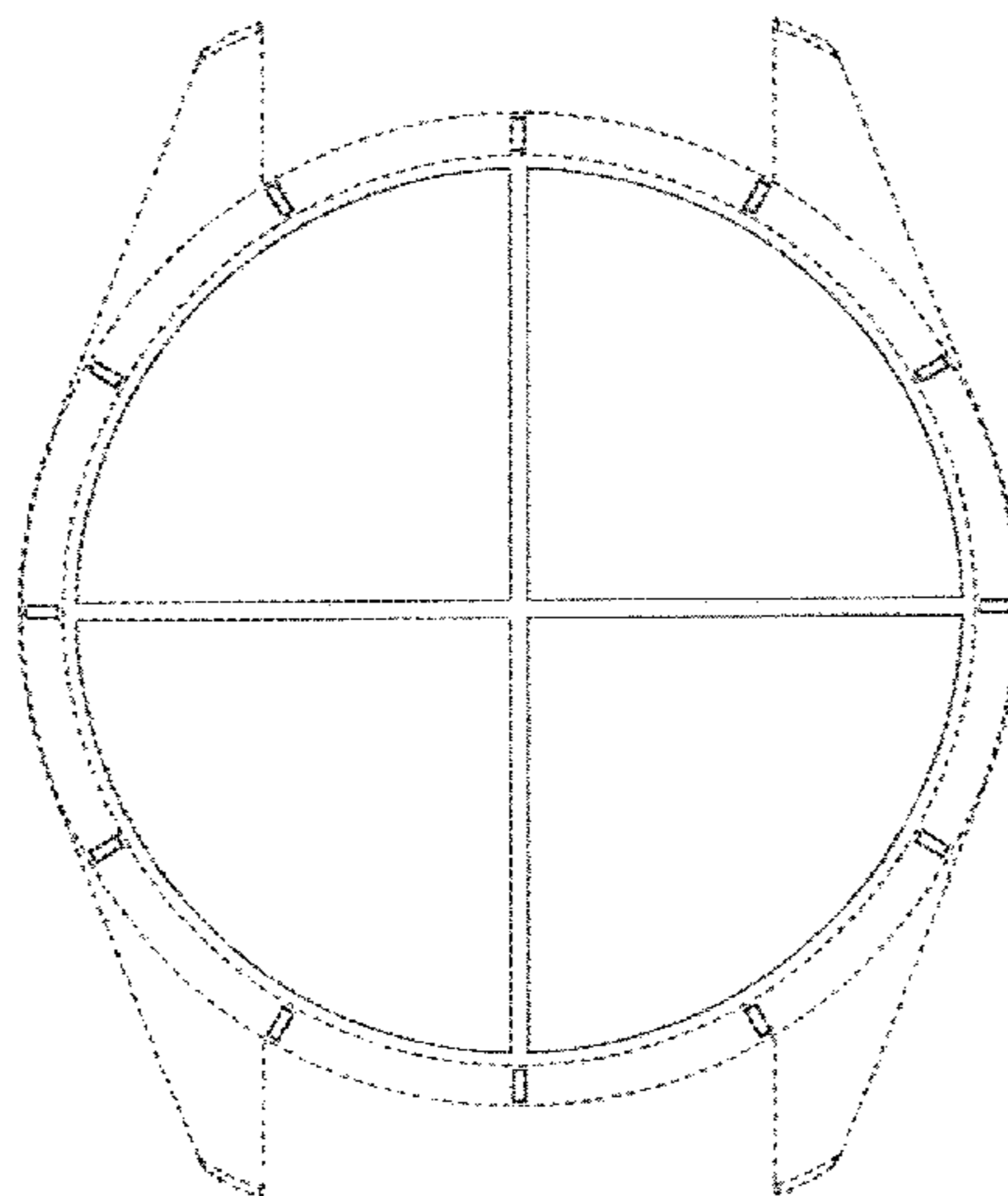
The ornamental design for a watch face, as shown and
described.

DESCRIPTION

FIG. 1 is a front view of a first embodiment of a watch face
showing our new design;
FIG. 2 is a front perspective view of FIG. 1;
FIG. 3 is a front view of a second embodiment of a watch
face showing our new design; and,
FIG. 4 is a perspective view of FIG. 3.
The structural features of the watch face depicted by the
broken lines having been shown for the purpose of illus-
trating environment that forms no part of the claimed design.

(56) **References Cited**
U.S. PATENT DOCUMENTS
908,786 A 1/1909 Longtine
D112,607 S 12/1938 Kelley

1 Claim, 2 Drawing Sheets



(56)

References Cited

U.S. PATENT DOCUMENTS

D327,652 S * 7/1992 Brodmann D10/30
 D334,346 S 3/1993 Vogel
 D364,820 S 12/1995 Sakai et al.
 D365,526 S * 12/1995 Gardner D10/126
 5,555,535 A 9/1996 Davis
 D382,819 S 8/1997 Shapiro
 D403,253 S 12/1998 Owen
 D406,782 S 3/1999 Dumas
 5,903,524 A 5/1999 Clarke
 D435,474 S 12/2000 Benson
 6,295,251 B1 9/2001 Sakai et al.
 D481,967 S * 11/2003 Cohen D10/128
 D513,998 S 1/2006 Emery et al.
 D559,123 S 1/2008 Modolo
 D584,172 S * 1/2009 Soltani D10/39
 D590,274 S * 4/2009 Monachon D10/128
 D592,080 S 5/2009 Mijatovic
 D634,663 S 3/2011 Linde

7,903,503 B2 3/2011 Olmes
 D638,734 S 5/2011 Cole
 D644,943 S 9/2011 Crocco
 D662,848 S 7/2012 Ganz
 D665,274 S * 8/2012 Arabov D10/38
 D666,503 S 9/2012 Bulgari
 D671,026 S 11/2012 Thureau
 D671,027 S 11/2012 Levy
 D671,438 S 11/2012 Greene
 D716,154 S 10/2014 Harada
 D743,827 S * 11/2015 Prince D10/122

OTHER PUBLICATIONS

U.S. Appl. No. 29/452,722, Ex Parte Quayle Action, dated Apr. 14, 2015.
 U.S. Appl. No. 29/452,722, Notice of Allowance, dated Jun. 29, 2015.

* cited by examiner

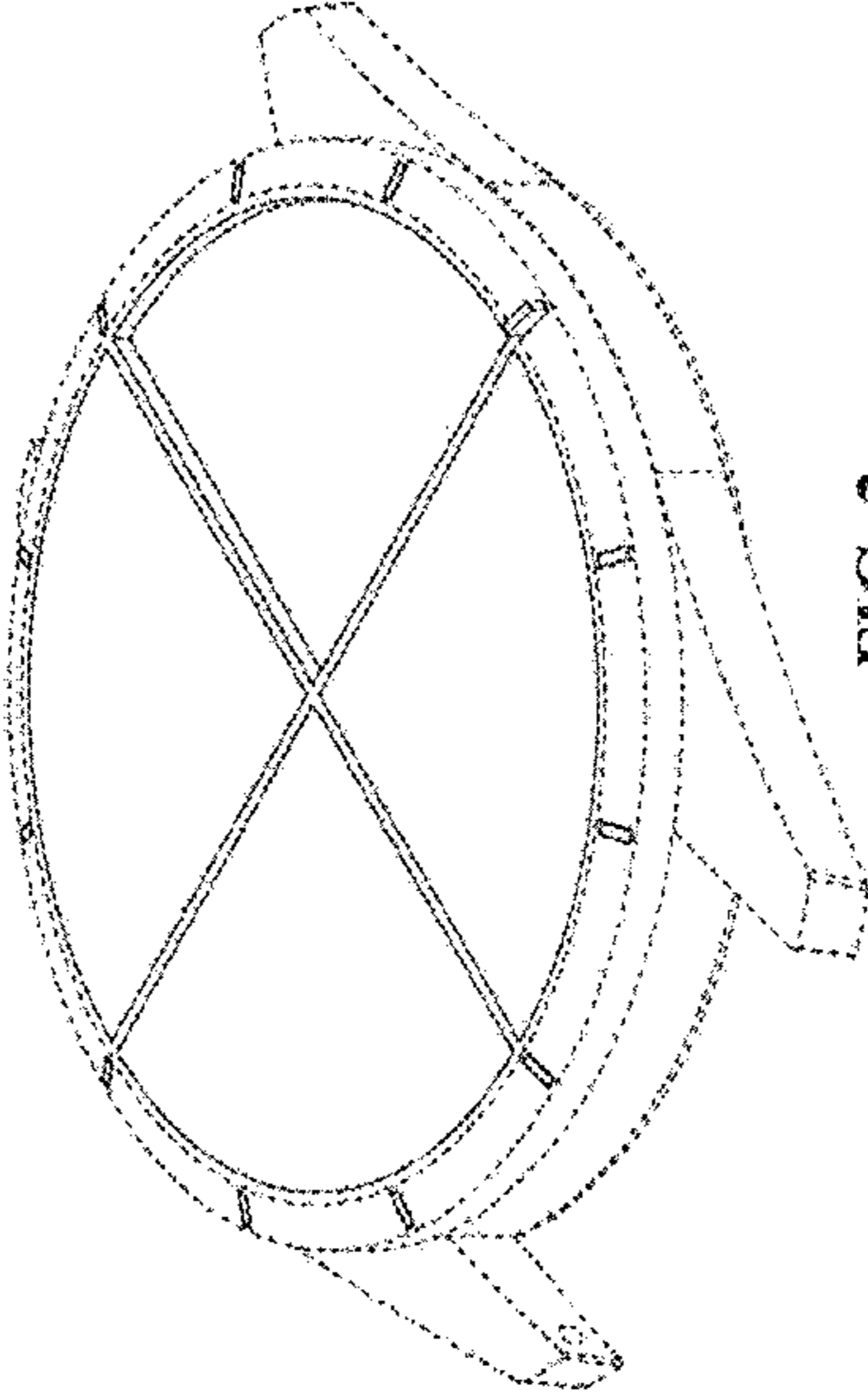


FIG. 2

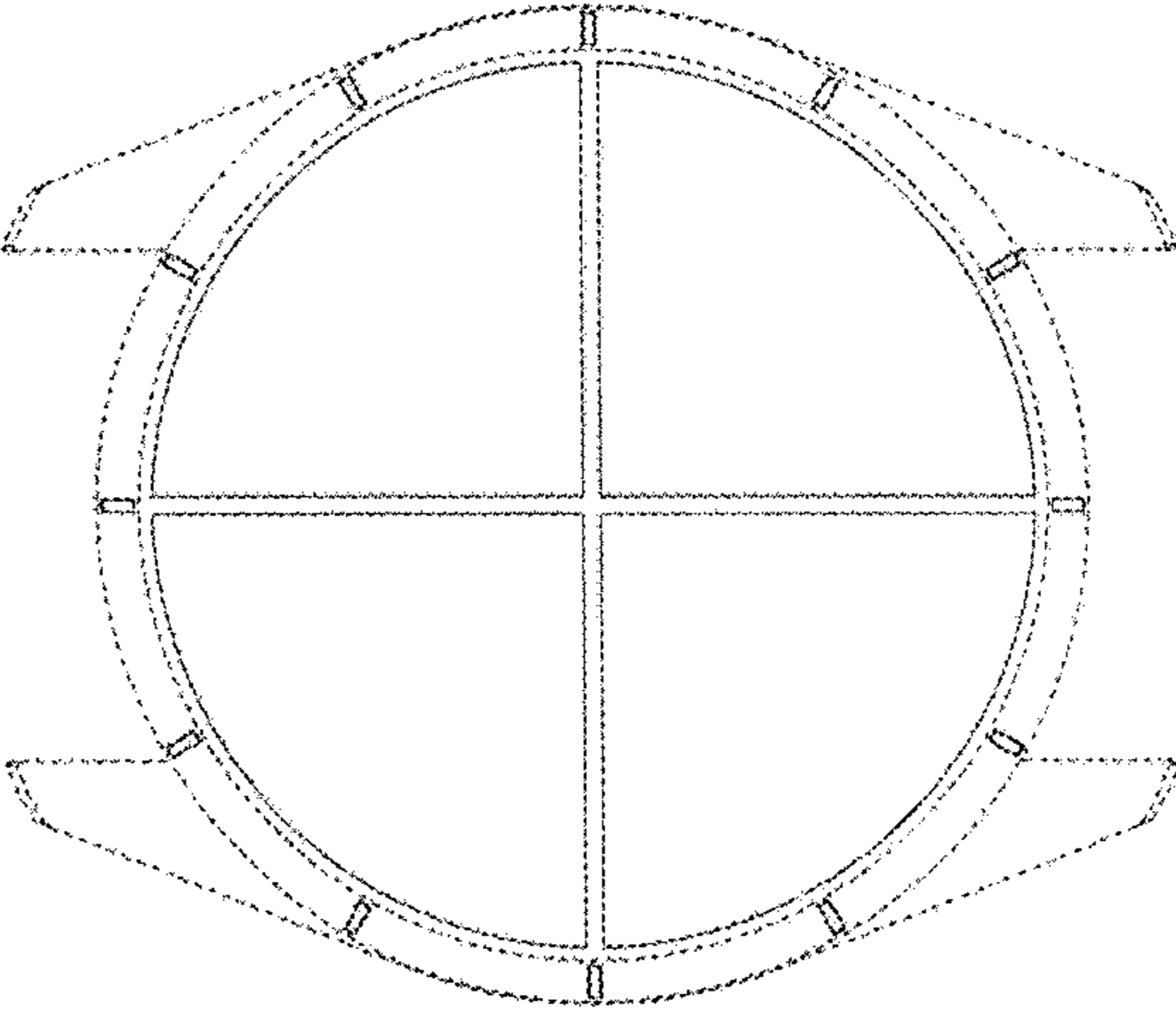


FIG. 1

