



US00D809412S

(12) **United States Design Patent**  
**Henry**

(10) **Patent No.:** **US D809,412 S**  
(45) **Date of Patent:** **\*\* Feb. 6, 2018**

(54) **SIGNALLING APPARATUS AND DEVICE**

6,359,835 B1 \* 3/2002 Gayl ..... G10K 9/125  
181/142

(71) Applicant: **Cerberus Black Limited**, Reigate,  
Surrey (GB)

9,217,392 B2 \* 12/2015 Graber ..... A01G 13/08  
9,759,414 B2 \* 9/2017 West ..... F21V 23/0428

(72) Inventor: **Matthew Henry**, West Sussex (GB)

**OTHER PUBLICATIONS**

(73) Assignee: **Cerberus Black Limited**, Reigate  
Surrey (GB)

[http://www.signallightgun.com/aviation\\_lamp.php](http://www.signallightgun.com/aviation_lamp.php) 2012.\*  
<https://www.astronics.com/productinfo?productgroup=Airfield%20Lighting&subproduct=Misc.%20Equipment&subitem=Tower%20Equipment#> 2016.\*

(\*\*) Term: **14 Years**

\* cited by examiner

(21) Appl. No.: **29/525,865**

(22) Filed: **May 4, 2015**

(30) **Foreign Application Priority Data**

Apr. 8, 2015 (EM) ..... 002677237-0001

(51) **LOC (11) Cl.** ..... **10-05**

(52) **U.S. Cl.**  
USPC ..... **D10/116.1; D22/199**

(58) **Field of Classification Search**  
USPC ..... D22/199; D10/116.1; D26/37-38  
CPC ..... F41J 5/10; F21V 23/0428; G10K 9/125;  
A01G 13/08; F41H 13/0081  
See application file for complete search history.

(57) **CLAIM**

The ornamental design for a signalling apparatus and device,  
as shown and described.

**DESCRIPTION**

FIG. 1 is a side view showing my new design;  
FIG. 2 is a side perspective view;  
FIG. 3 is a front side perspective view;  
FIG. 4 is a front view;  
FIG. 5 is a back side perspective view;  
FIG. 6 is a back perspective view; and,  
FIG. 7 is a top view.

(56) **References Cited**

**U.S. PATENT DOCUMENTS**

4,835,621 A \* 5/1989 Black ..... F41J 5/10  
352/95  
5,859,915 A \* 1/1999 Norris ..... F41H 13/0081  
381/75

**1 Claim, 7 Drawing Sheets**

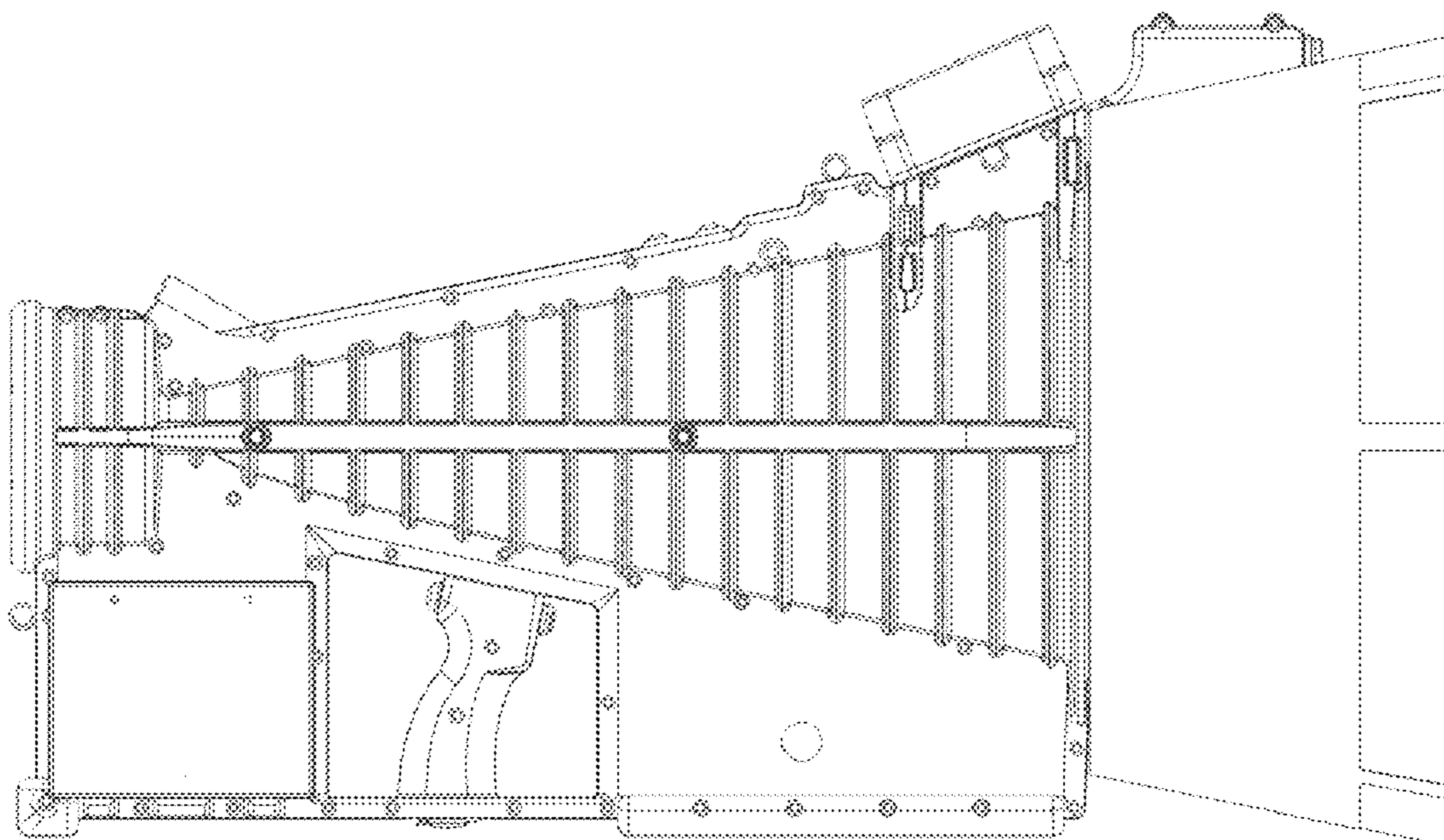


FIG. 1

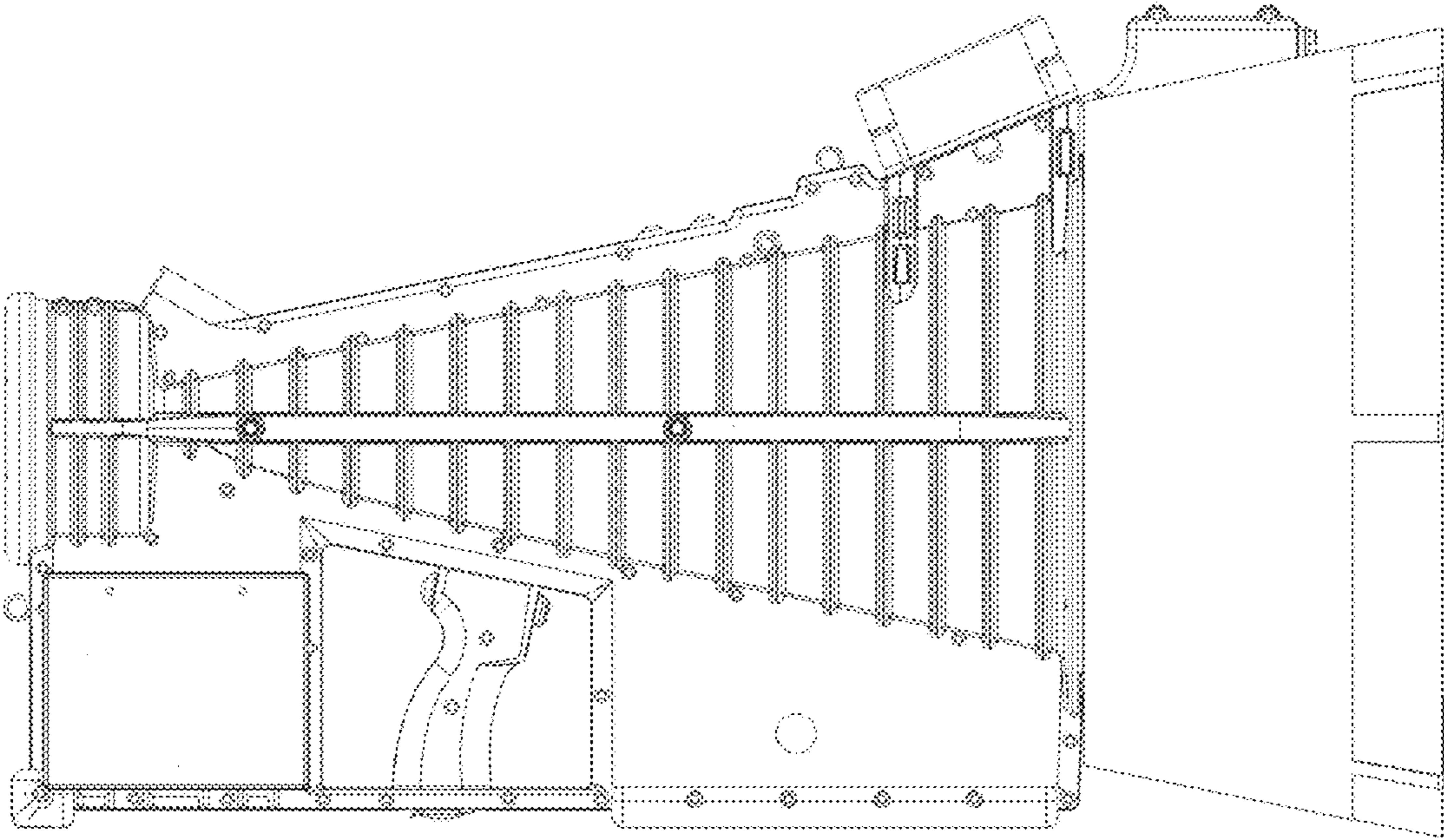


FIG. 2

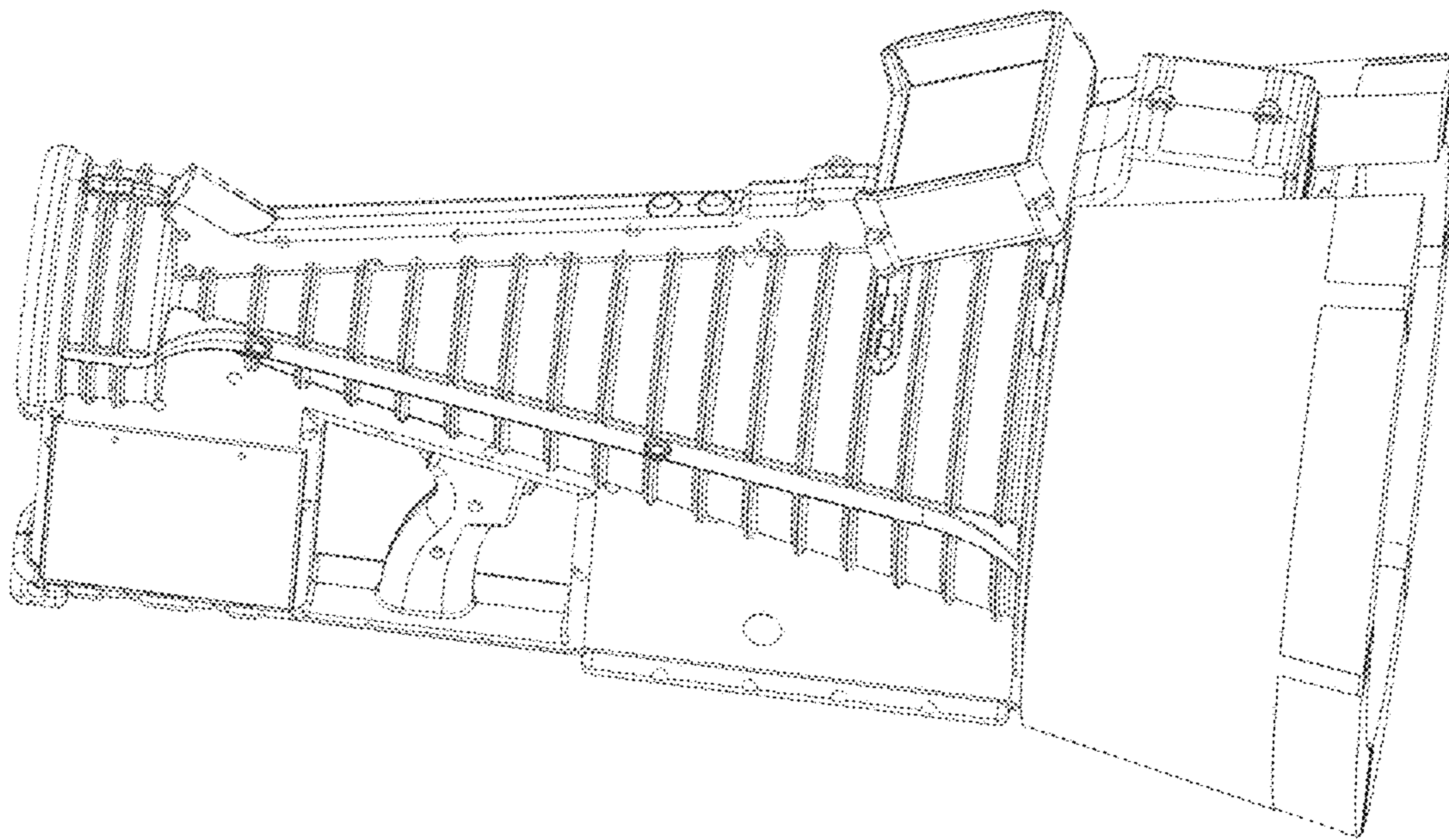


FIG. 3

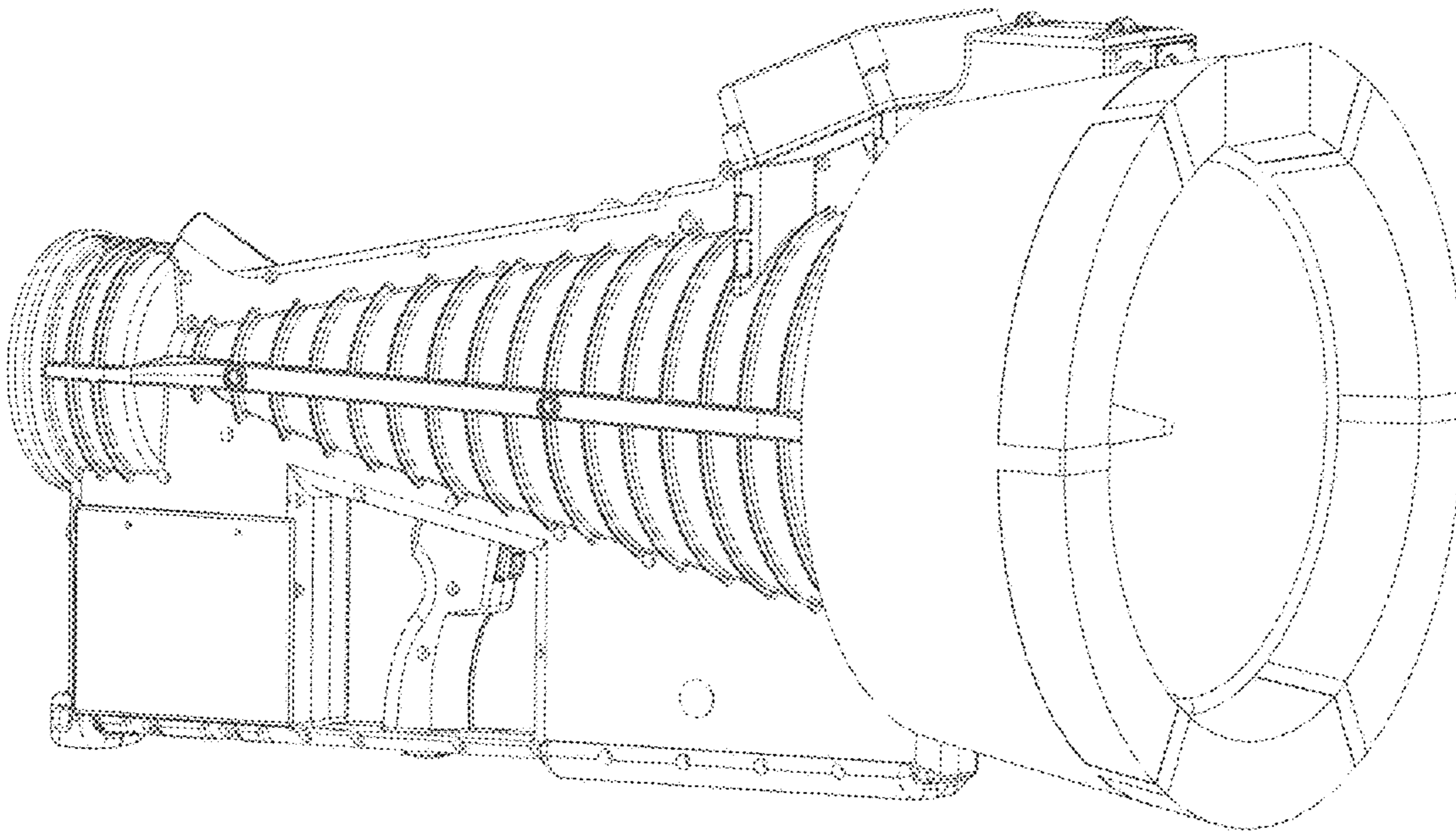


FIG. 4

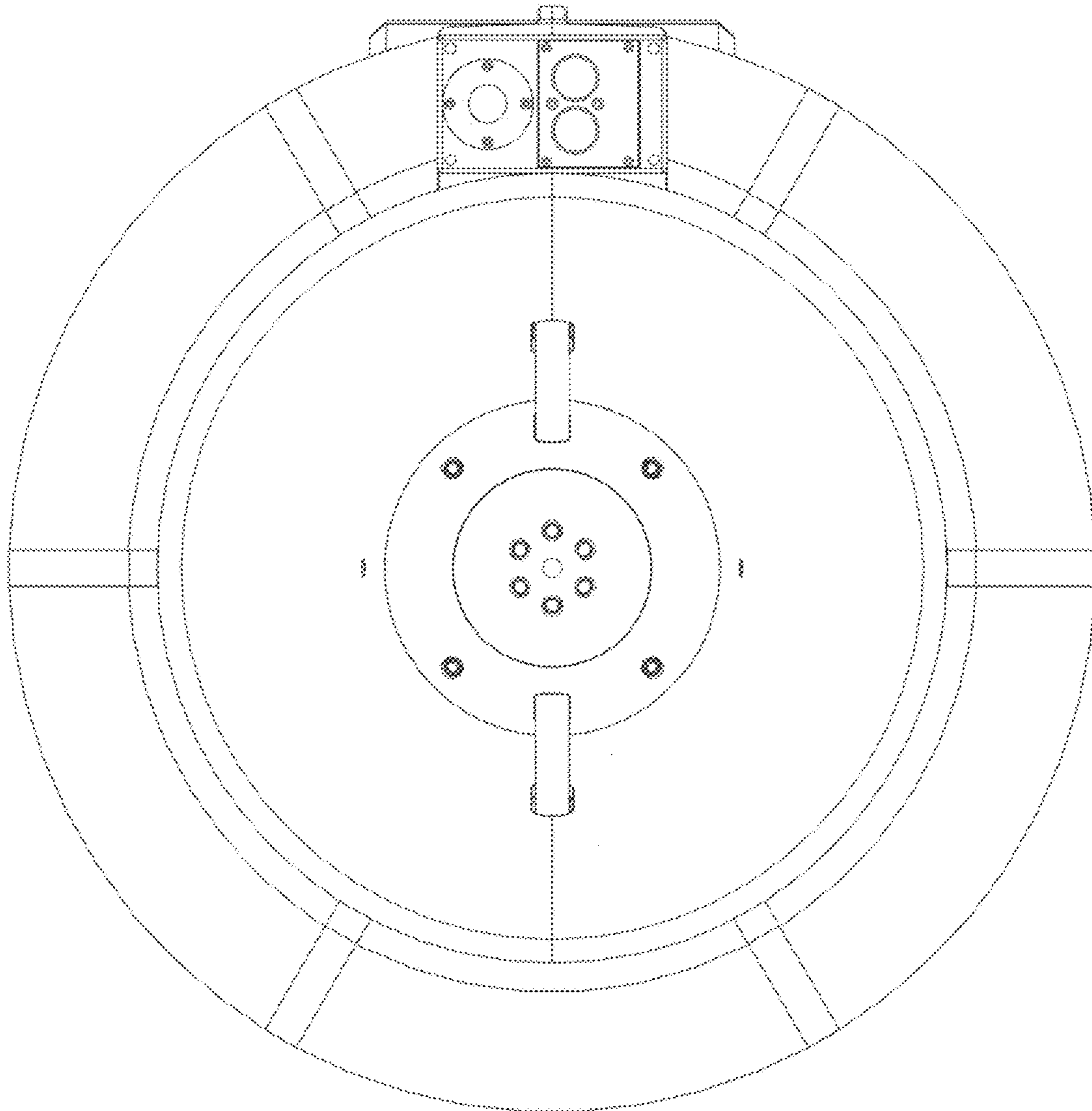


FIG. 5

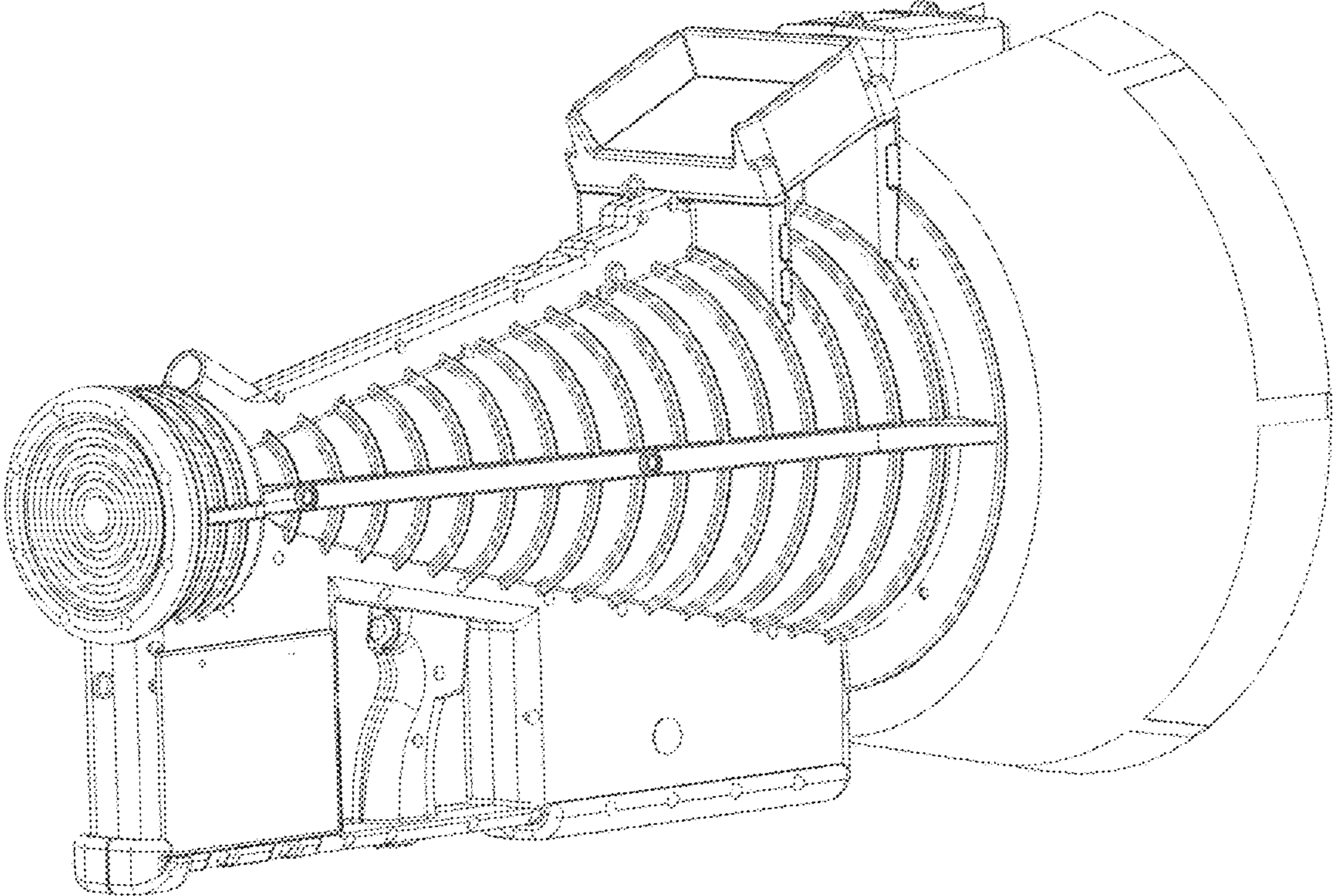


FIG. 6

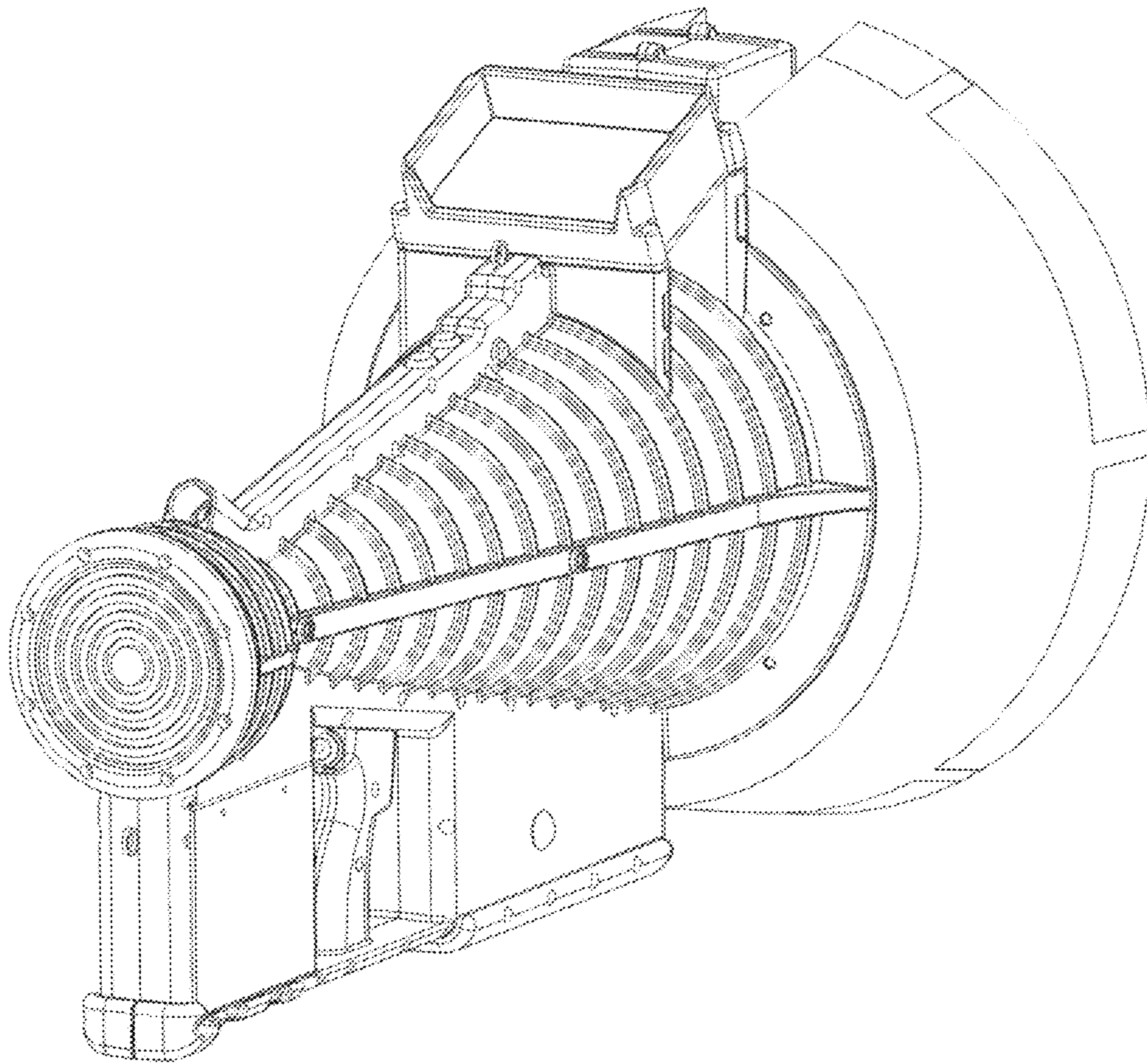


FIG. 7

