



US00D809411S

(12) **United States Design Patent** (10) **Patent No.:** **US D809,411 S**
Dwivedula et al. (45) **Date of Patent:** **** Feb. 6, 2018**

(54) **ATTACHMENT PIECE FOR TIME-SENSITIVE ARTICLES**

- (71) Applicant: **VIVEO LABS, INC.**, Bala Cynwyd, PA (US)
- (72) Inventors: **Ravi Shankar Venkata Dwivedula**, San Jose, CA (US); **Harris Gabriel Romanoff**, Bala Cynwyd, PA (US); **Daniel Kendall Harden**, Palo Alto, CA (US)
- (73) Assignee: **VIVEO LABS, INC.**, East Palo Alto, CA (US)

(**) Term: **14 Years**

(21) Appl. No.: **29/524,254**

(22) Filed: **Apr. 17, 2015**

(51) **LOC (11) Cl.** **10-05**

(52) **U.S. Cl.**
USPC **D10/106.9**

(58) **Field of Classification Search**
USPC D10/104.1, 121, 103, 70, 106.1;
D14/223, 299, 432
See application file for complete search history.

(56) **References Cited**

U.S. PATENT DOCUMENTS

D409,510 S *	5/1999	McDonald	D10/104.1
D519,869 S *	5/2006	Sasaki	D10/106.1
D709,392 S *	7/2014	Wang	D10/70
D711,758 S *	8/2014	Heath	D10/104.1
D730,225 S *	5/2015	Behar	D10/103
D751,558 S *	3/2016	Lee	D10/103
D755,657 S *	5/2016	Xu	D10/104.1
D773,329 S *	12/2016	Olodort	D10/104.1
D795,844 S *	8/2017	Harper	D14/223

OTHER PUBLICATIONS

“Amazon Dash Button,” Web page <https://www.amazon.com/oc/dash-button>, 5 pages, retrieved from Internet Archive Wayback Machine <https://web.archive.org/web/20150401093326/https://www.amazon.com/oc/dash-button> on Sep. 21, 2015.

* cited by examiner

Primary Examiner — George D. Kirschbaum
(74) *Attorney, Agent, or Firm* — Knobbe Martens Olson & Bear LLP

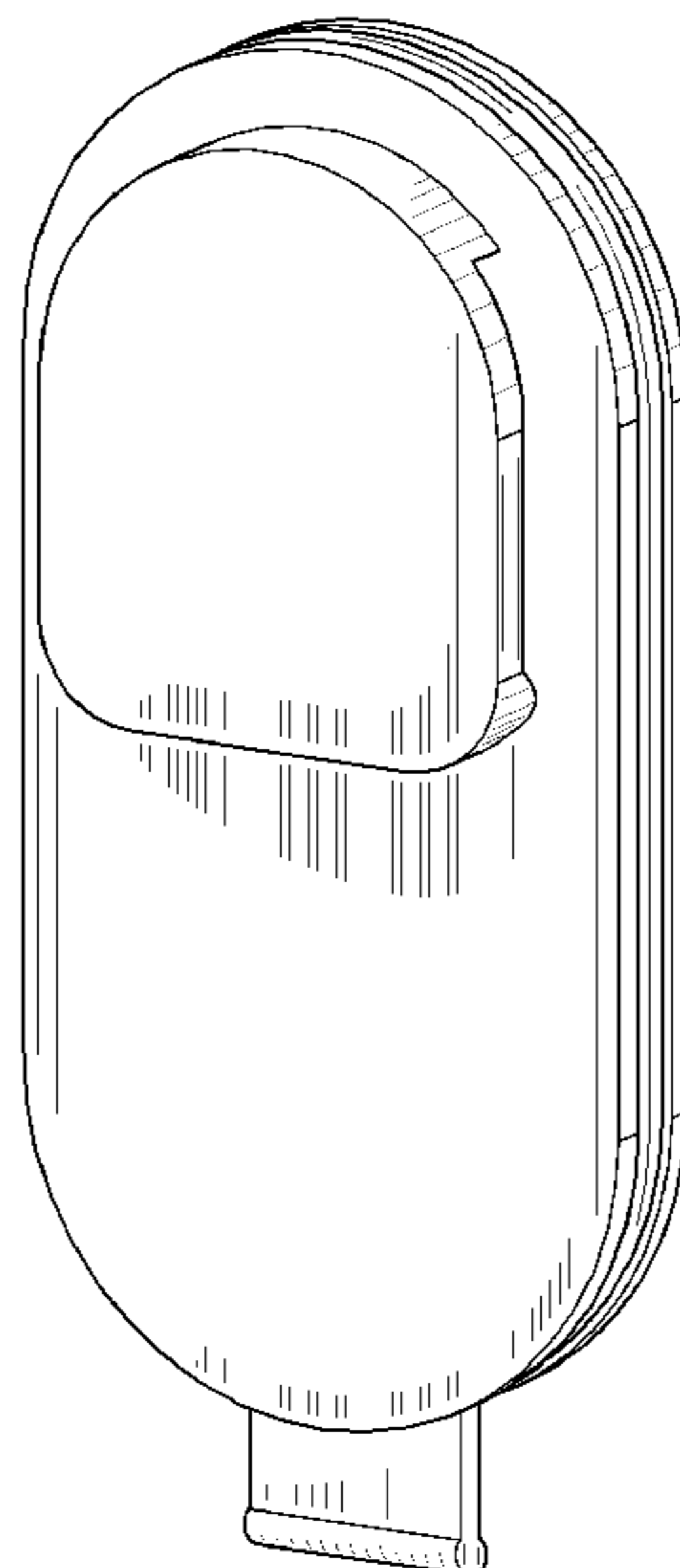
(57) **CLAIM**

The ornamental design for an attachment piece for time-sensitive articles, as shown and described.

DESCRIPTION

FIG. 1 is a right front perspective view of an attachment piece for time-sensitive articles, showing our new design in a wrapped configuration;
FIG. 2 is a front elevational view thereof;
FIG. 3 is a left side elevational view thereof;
FIG. 4 is a right side elevational view thereof;
FIG. 5 is a top plan view thereof;
FIG. 6 is a bottom plan view thereof;
FIG. 7 is a back elevational view thereof;
FIG. 8 is a right front perspective view of the attachment in an unwrapped configuration in accordance with an embodiment;
FIG. 9 is a front elevational view thereof;
FIG. 10 is a left side elevational view thereof;
FIG. 11 is a right side elevational view thereof;
FIG. 12 is a top plan view thereof;
FIG. 13 is a bottom plan view thereof; and,
FIG. 14 is a back elevational view thereof.

1 Claim, 10 Drawing Sheets



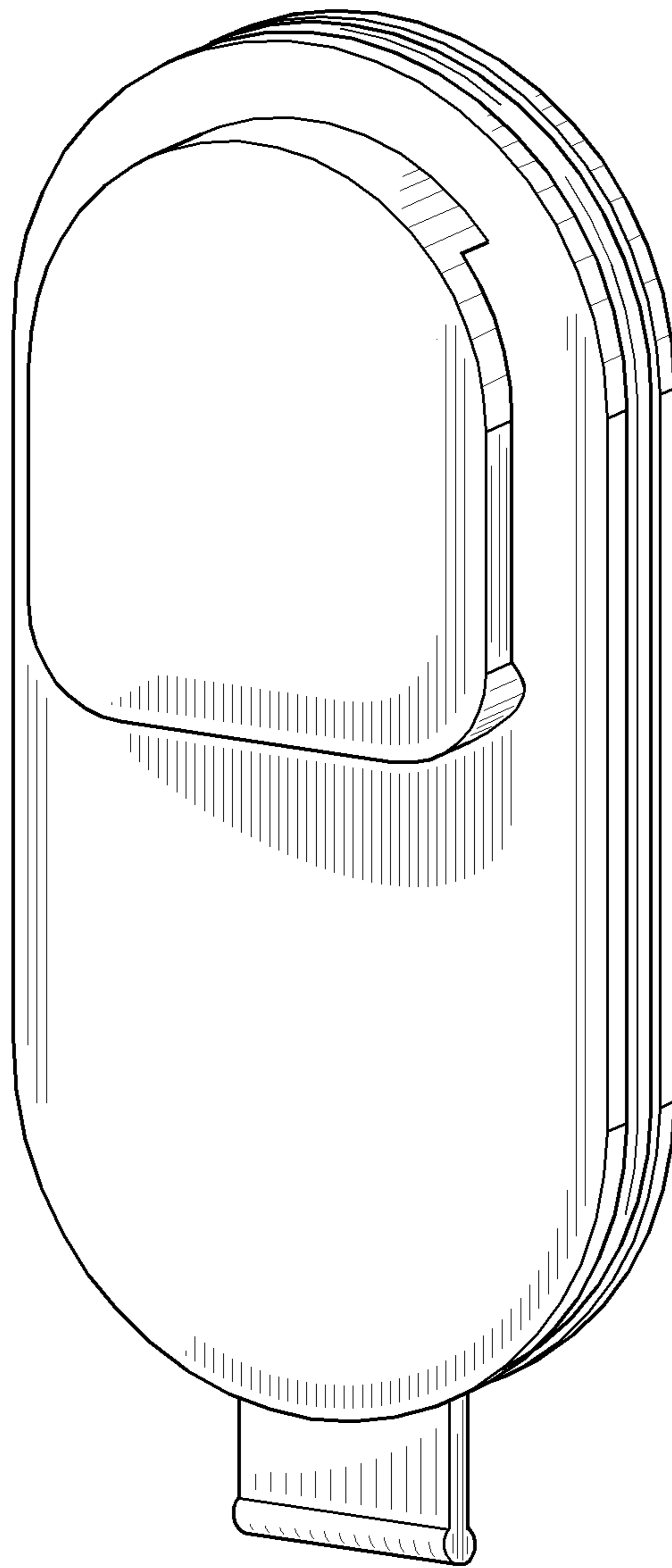


FIG. 1

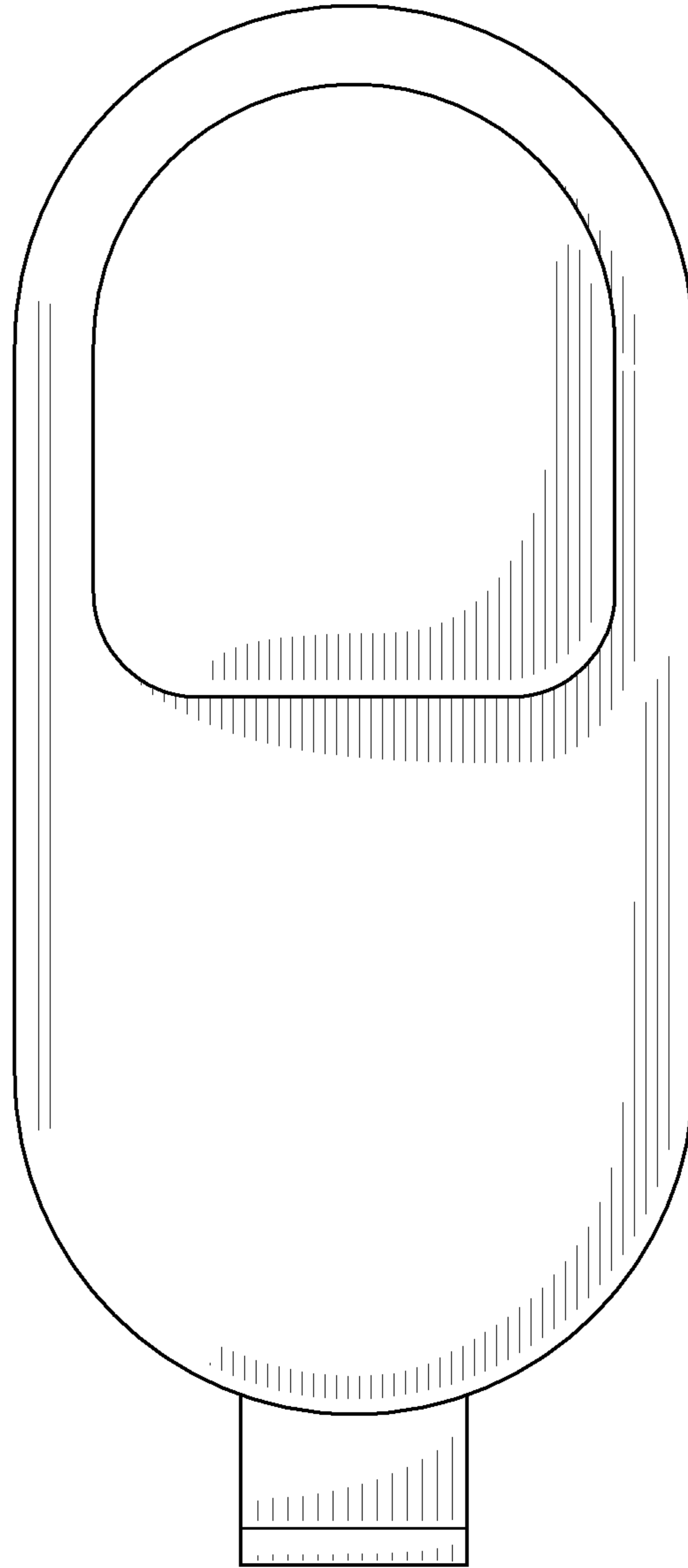


FIG. 2

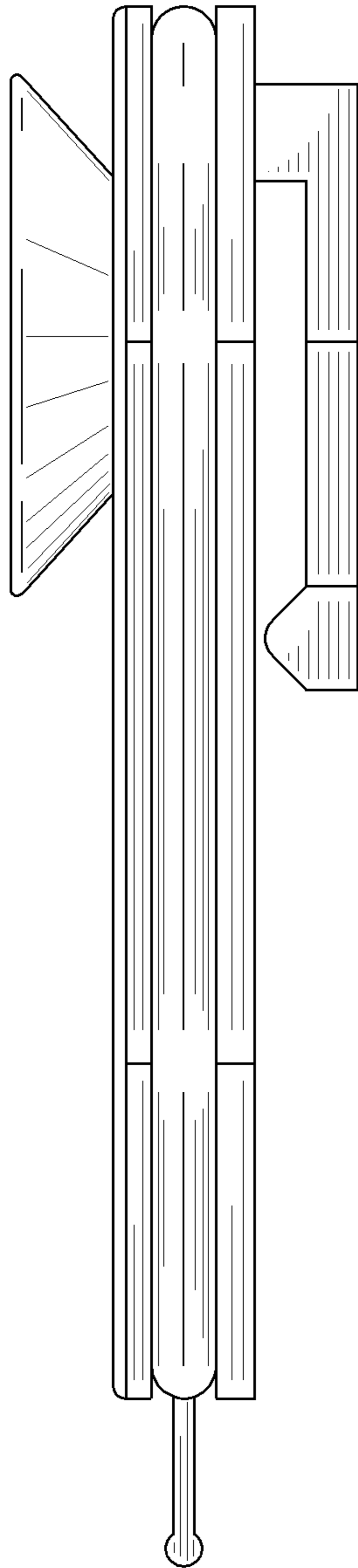


FIG. 3

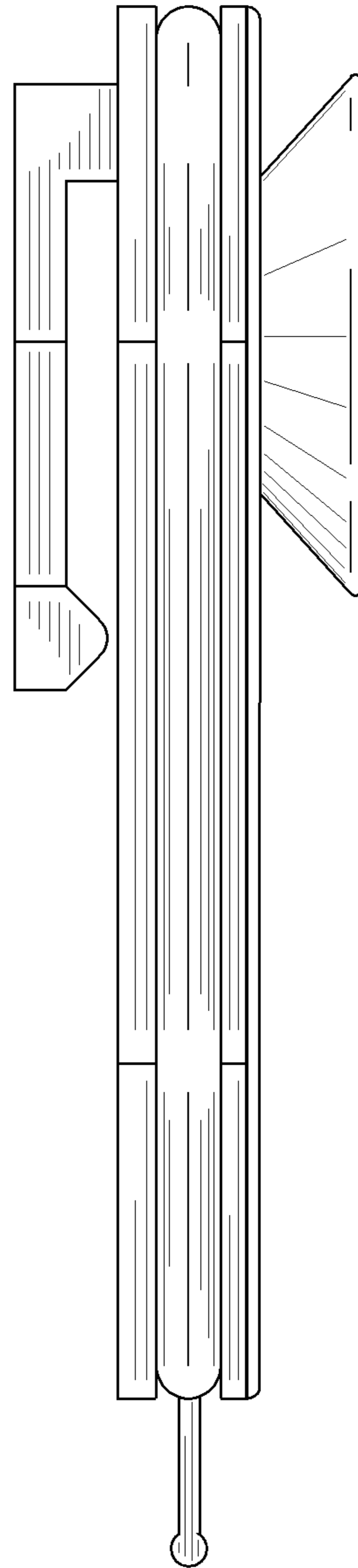


FIG. 4

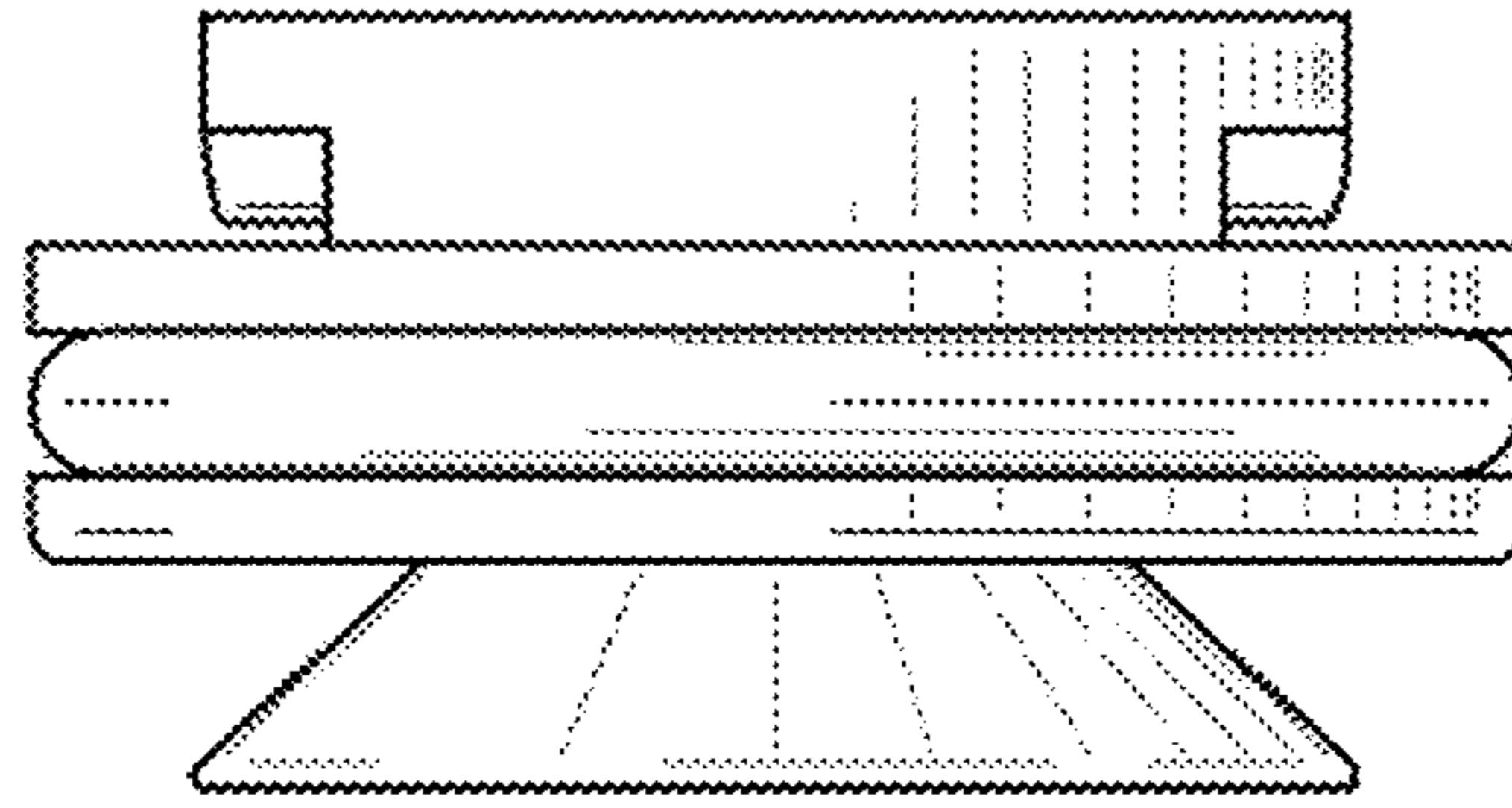


FIG. 5

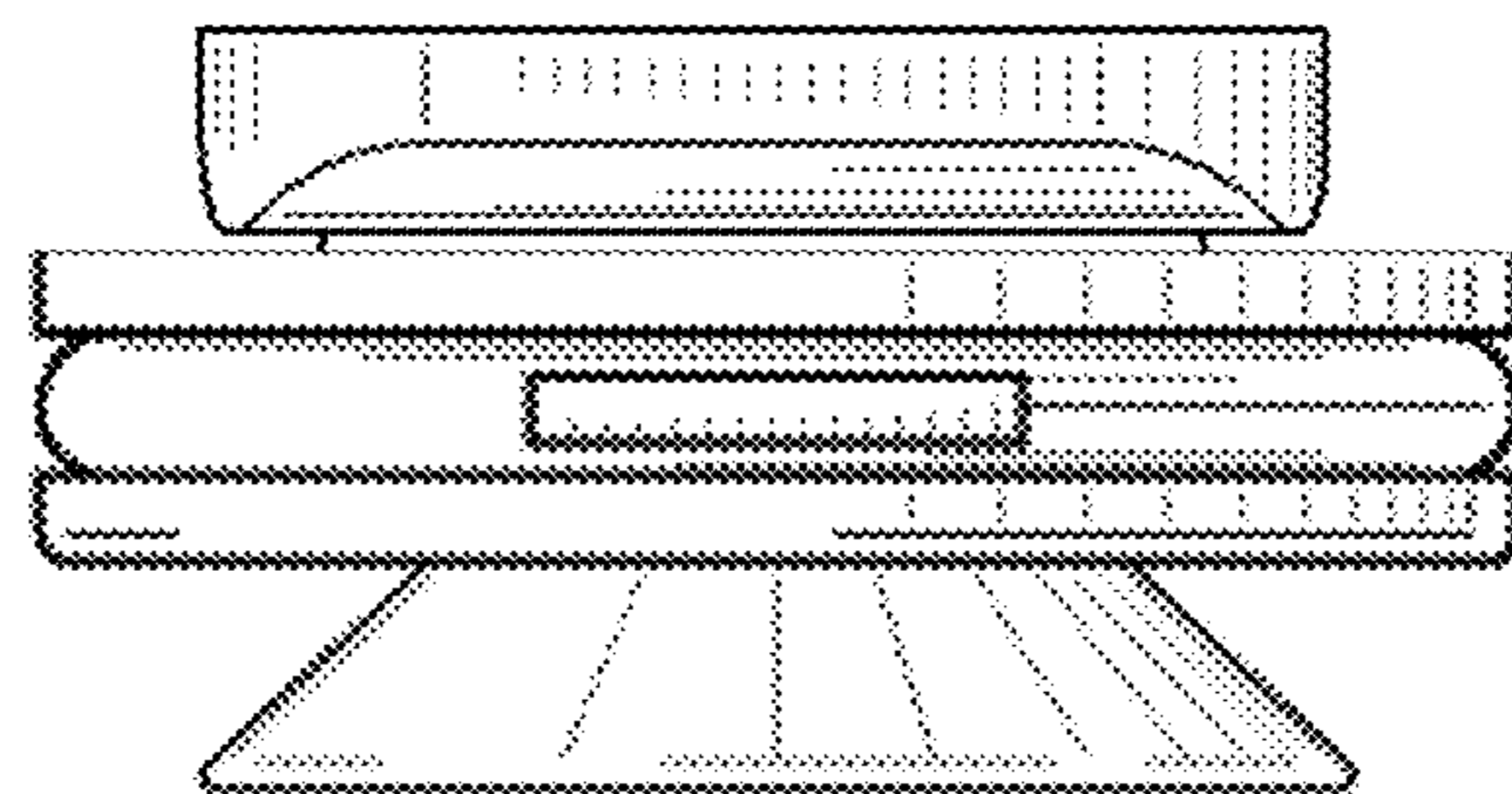


FIG. 6

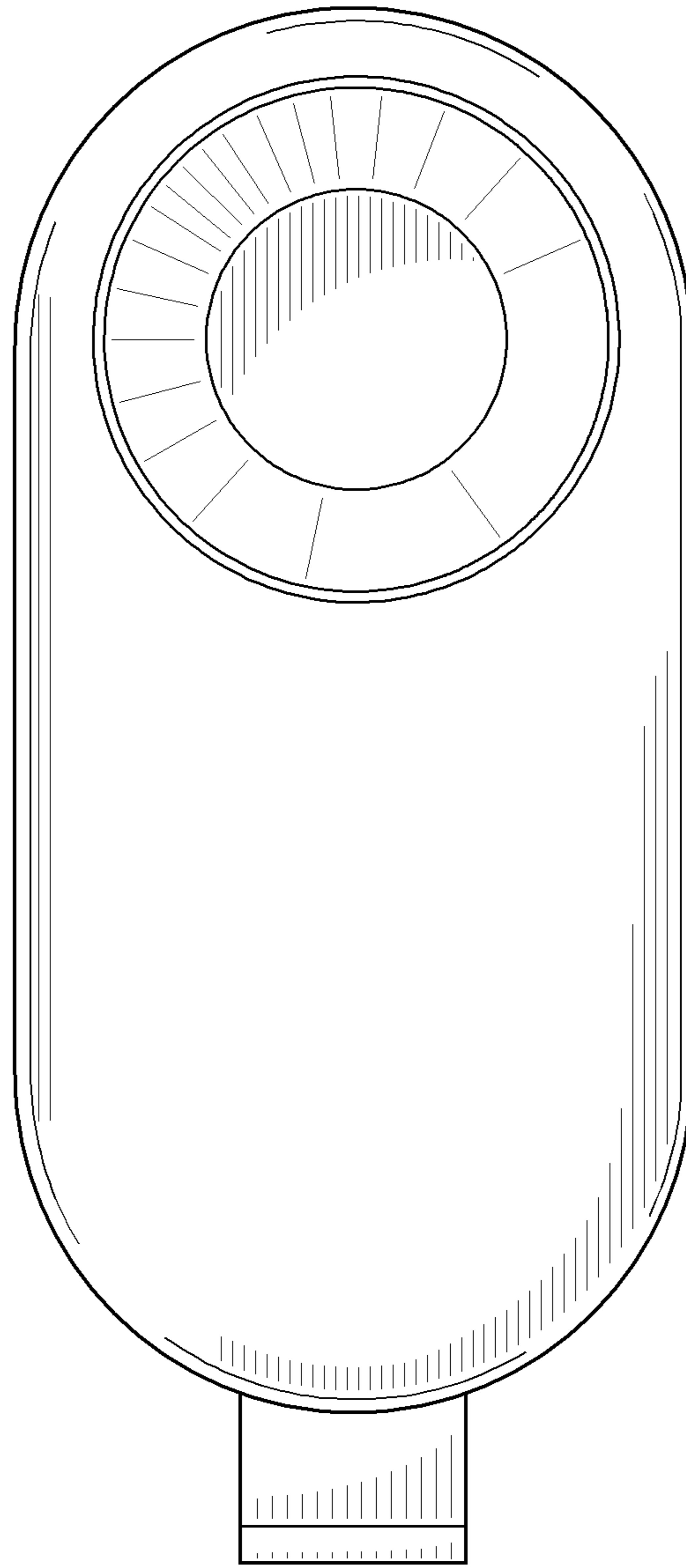


FIG. 7

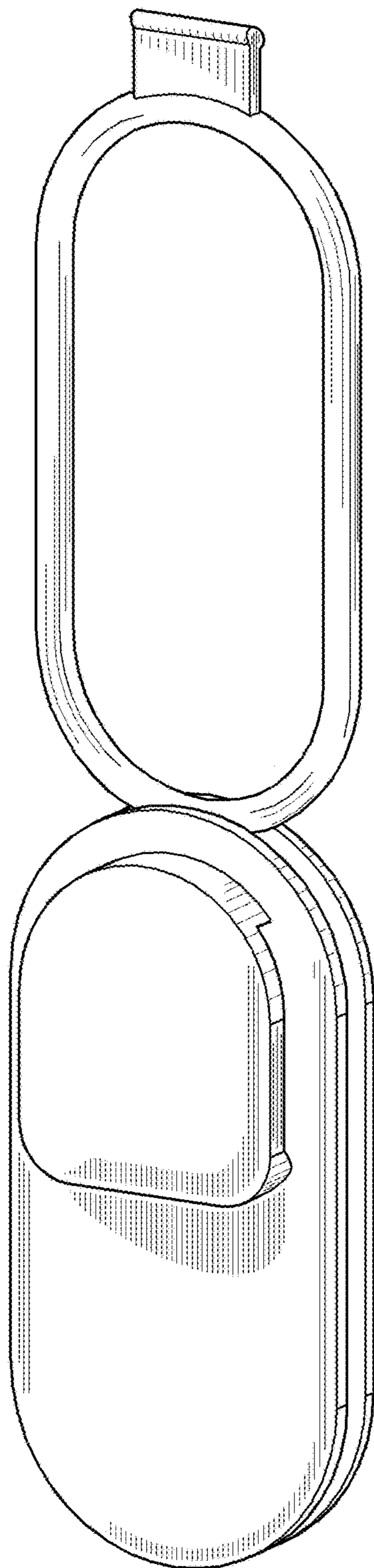


FIG. 8

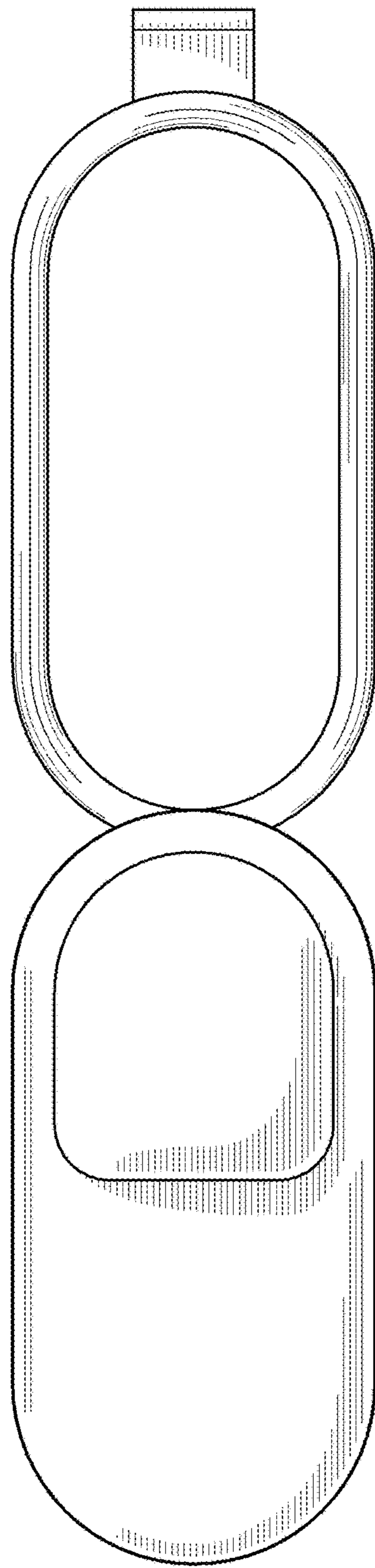


FIG. 9

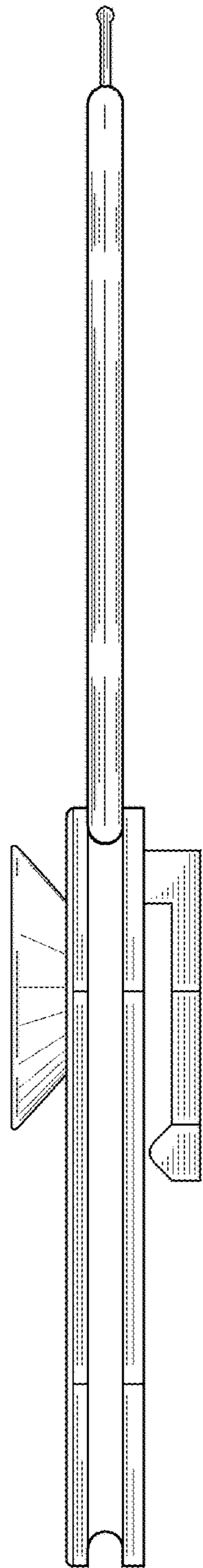


FIG. 10

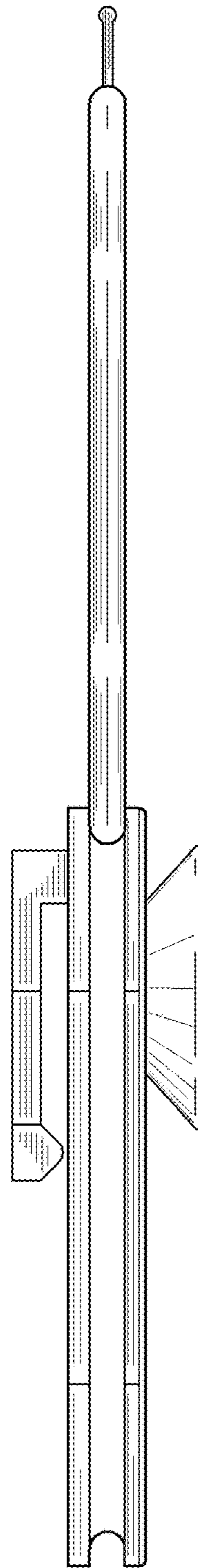


FIG. 11

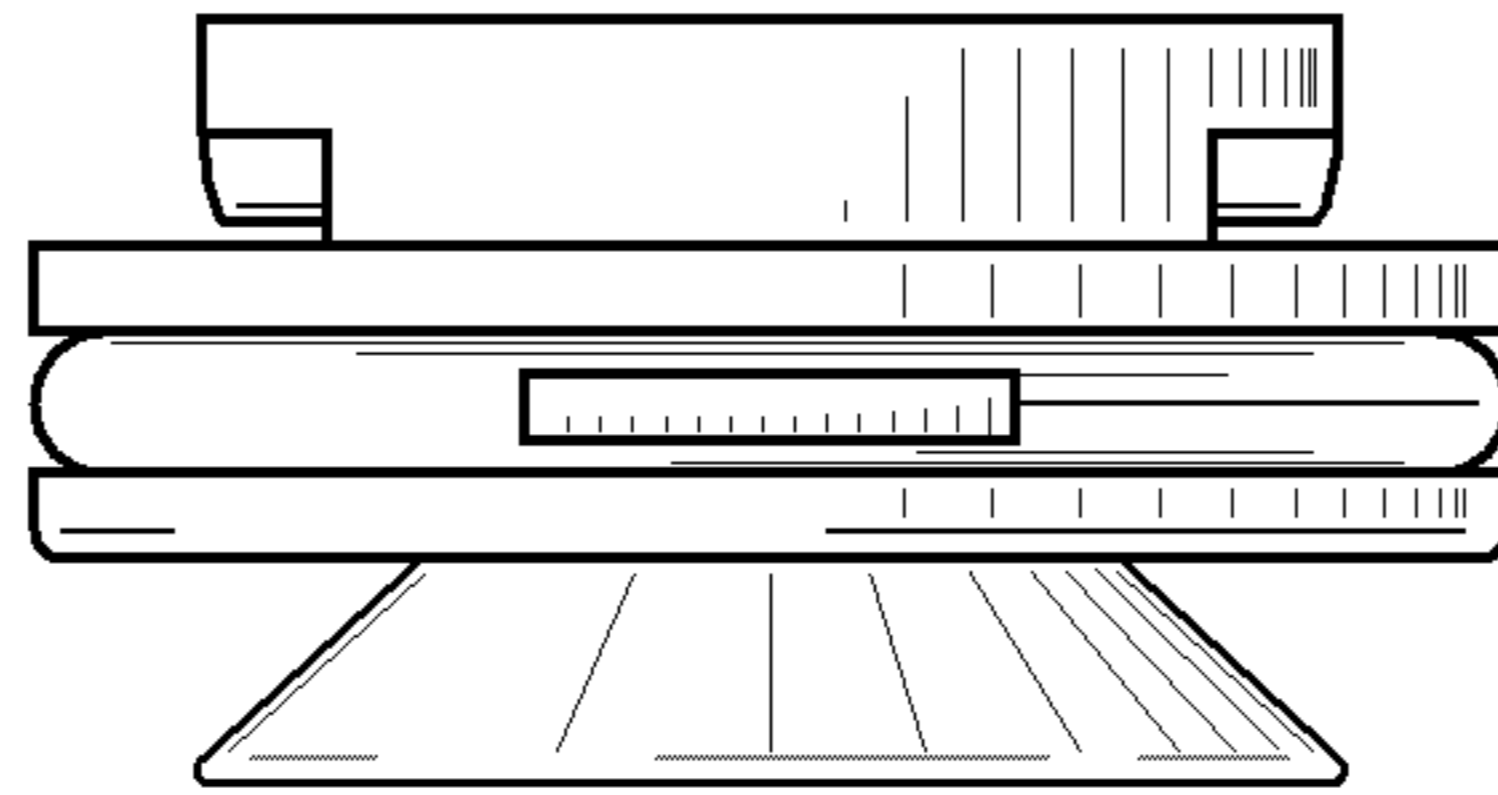


FIG. 12

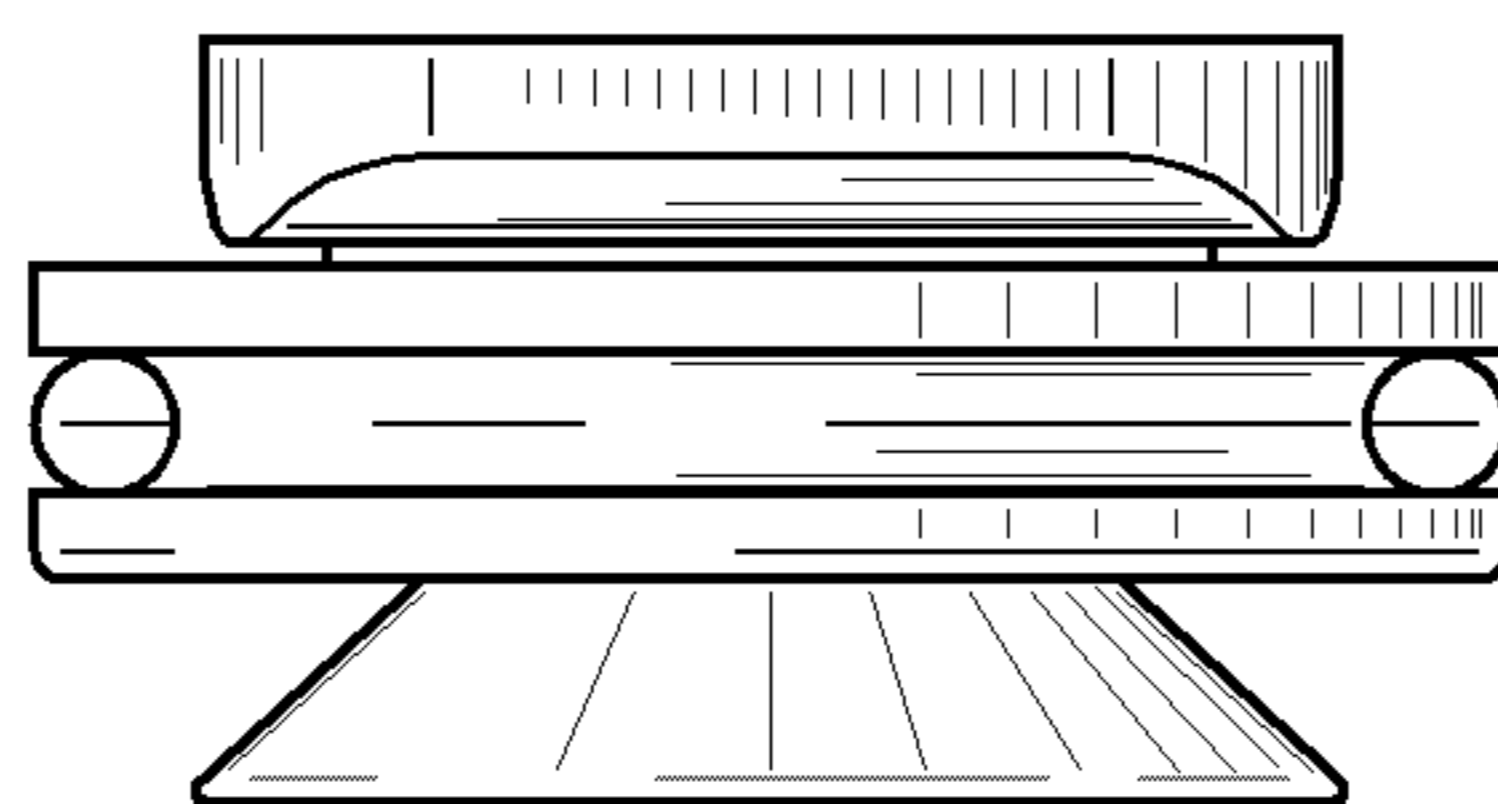


FIG. 13

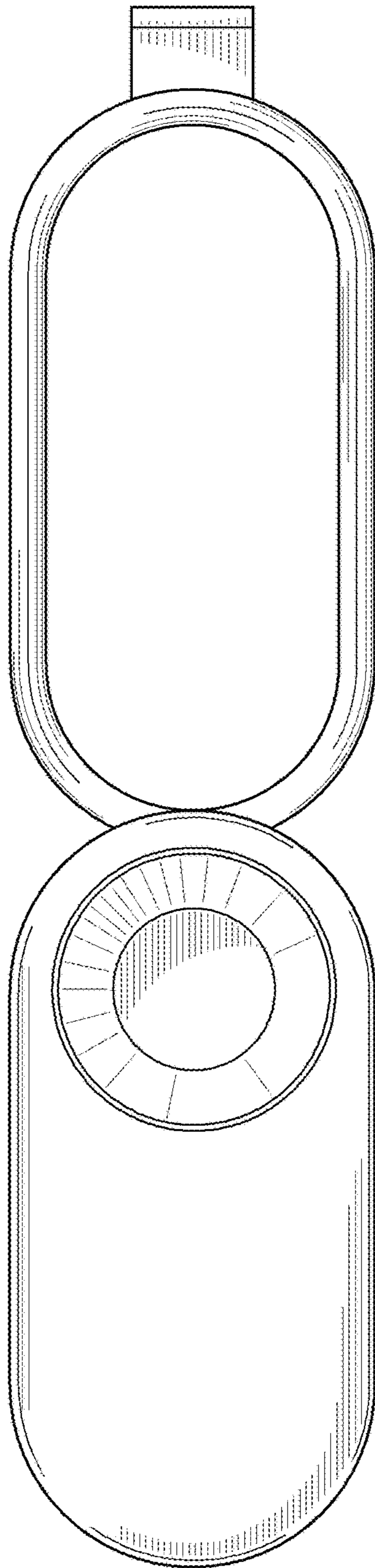


FIG. 14