



US00D809410S

(12) **United States Design Patent**
Hall et al.

(10) **Patent No.:** **US D809,410 S**

(45) **Date of Patent:** **** Feb. 6, 2018**

(54) **FLOW CYTOMETER SORTER CHASSIS**

(56) **References Cited**

(71) Applicants: **Michael Hall**, La Madrona, CA (US);
James Nguyen, San Jose, CA (US)

U.S. PATENT DOCUMENTS

(72) Inventors: **Michael Hall**, La Madrona, CA (US);
James Nguyen, San Jose, CA (US)

D303,095 S *	8/1989	Nagai	D10/81
D354,354 S *	1/1995	Yamashita	D10/81
D399,152 S *	10/1998	Manos	D10/75
D599,234 S *	9/2009	Ito	D10/81
D646,189 S *	10/2011	Dinter	D10/81
D687,561 S *	8/2013	Iseki	D24/216
D711,264 S *	8/2014	Antonczak	D10/81
D711,265 S *	8/2014	Antonczak	D10/81
D724,456 S *	3/2015	Antonczak	D10/81
D729,083 S *	5/2015	Kobayashi	D10/81
D738,243 S *	9/2015	Selberg	D10/81
D745,185 S *	12/2015	Kimura	D10/81
D745,423 S *	12/2015	Khattak	D10/81
D764,956 S *	8/2016	Selberg	D10/81
D773,071 S *	11/2016	Hakoda	D10/81
D789,815 S *	6/2017	Khattak	D10/81

(**) Term: **15 Years**

(21) Appl. No.: **29/582,071**

(22) Filed: **Oct. 25, 2016**

(51) **LOC (11) Cl.** **10-04**

(52) **U.S. Cl.**

USPC **D10/81**; D10/96; D24/216; D24/232

(58) **Field of Classification Search**

USPC D10/81, 96; D24/185, 186, 216, 219,
D24/220, 231, 232, 233, 234

CPC ... A61K 9/0019; A61K 31/7032; A61M 1/14;
B01L 3/502715; B01L 3/5027; B01L

3/50273; B01L 3/502738; B01L

3/502746; B01L 3/502753; B01L

3/502776; B01L 3/502761; B01L

2300/0654; B01L 2300/0816; B01L

2400/0406; Y10T 436/2575; C12Q

1/6883; C12Q 1/485; G01N 33/56966;

G01N 33/57407; G01N 33/491; G01N

2800/52; G01N 2800/56; G01N 2800/60;

G01N 15/1404; G01N 15/1463; G01N

15/1484; G01N 21/453; G01N 21/6454;

G01N 2015/142; G01N 2015/149; G01N

2015/1413; G01N 2015/1006; G01N

2201/062; G01N 2201/0221; G01N

2015/1488; G06F 3/04842; Y10S 715/97

See application file for complete search history.

* cited by examiner

Primary Examiner — Antoine Duval Davis

(57) **CLAIM**

The ornamental design for a flow cytometer sorter chassis,
as shown and described.

DESCRIPTION

FIG. 1 is an isometric view of the chassis showing our new
design;

FIG. 2 is a front view thereof;

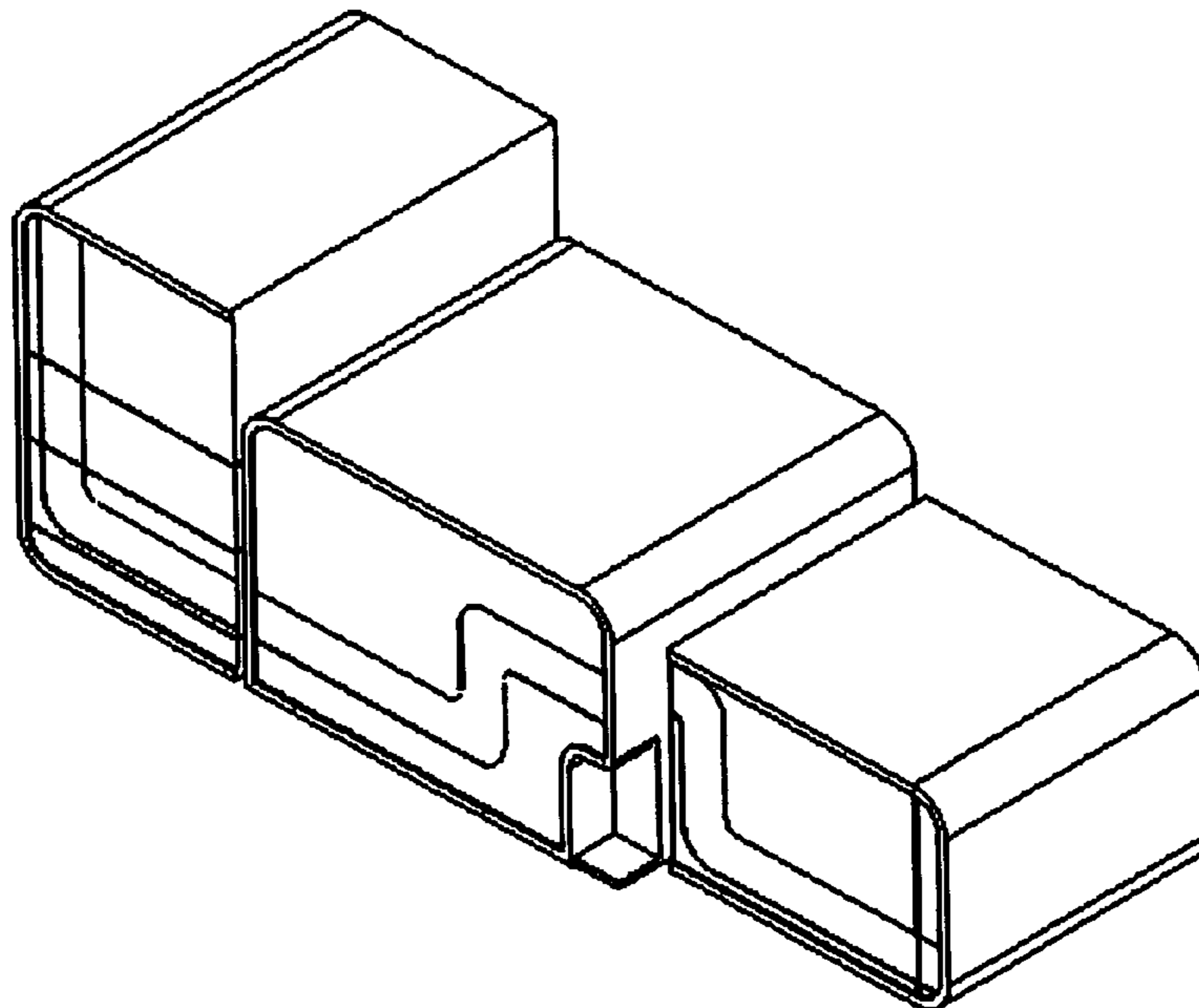
FIG. 3 is a left side view thereof;

FIG. 4 is a right side view thereof;

FIG. 5 is a rear view thereof; and,

FIG. 6 is a top view thereof.

1 Claim, 6 Drawing Sheets



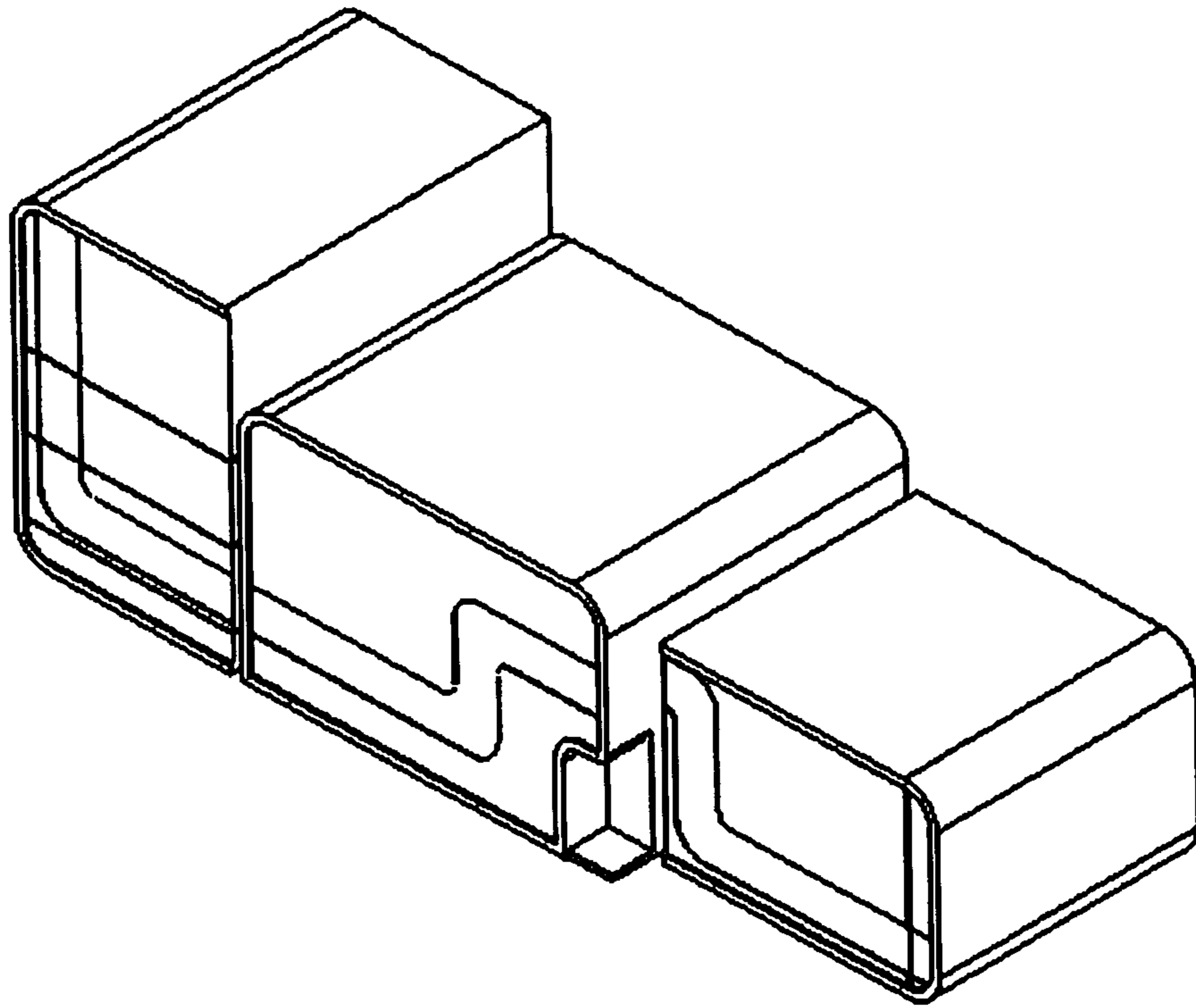


FIG. 1

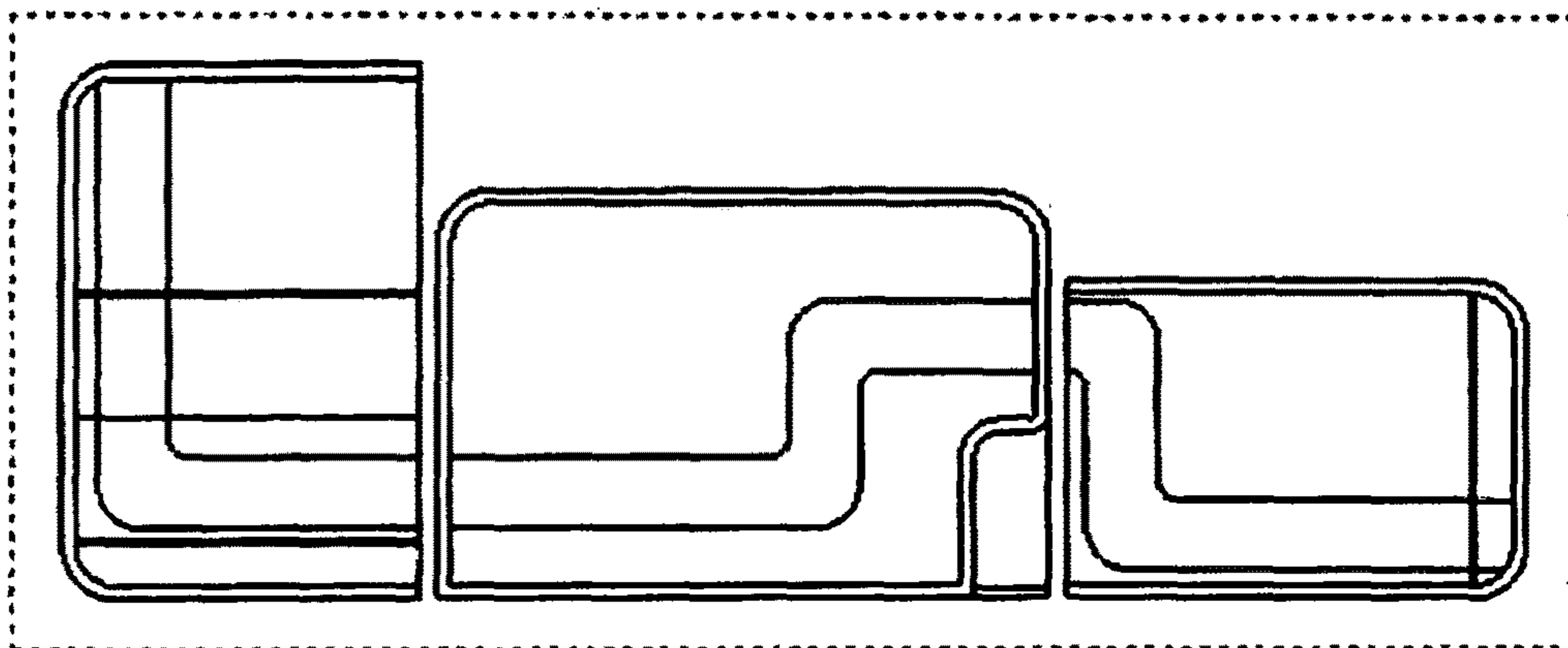


FIG. 2

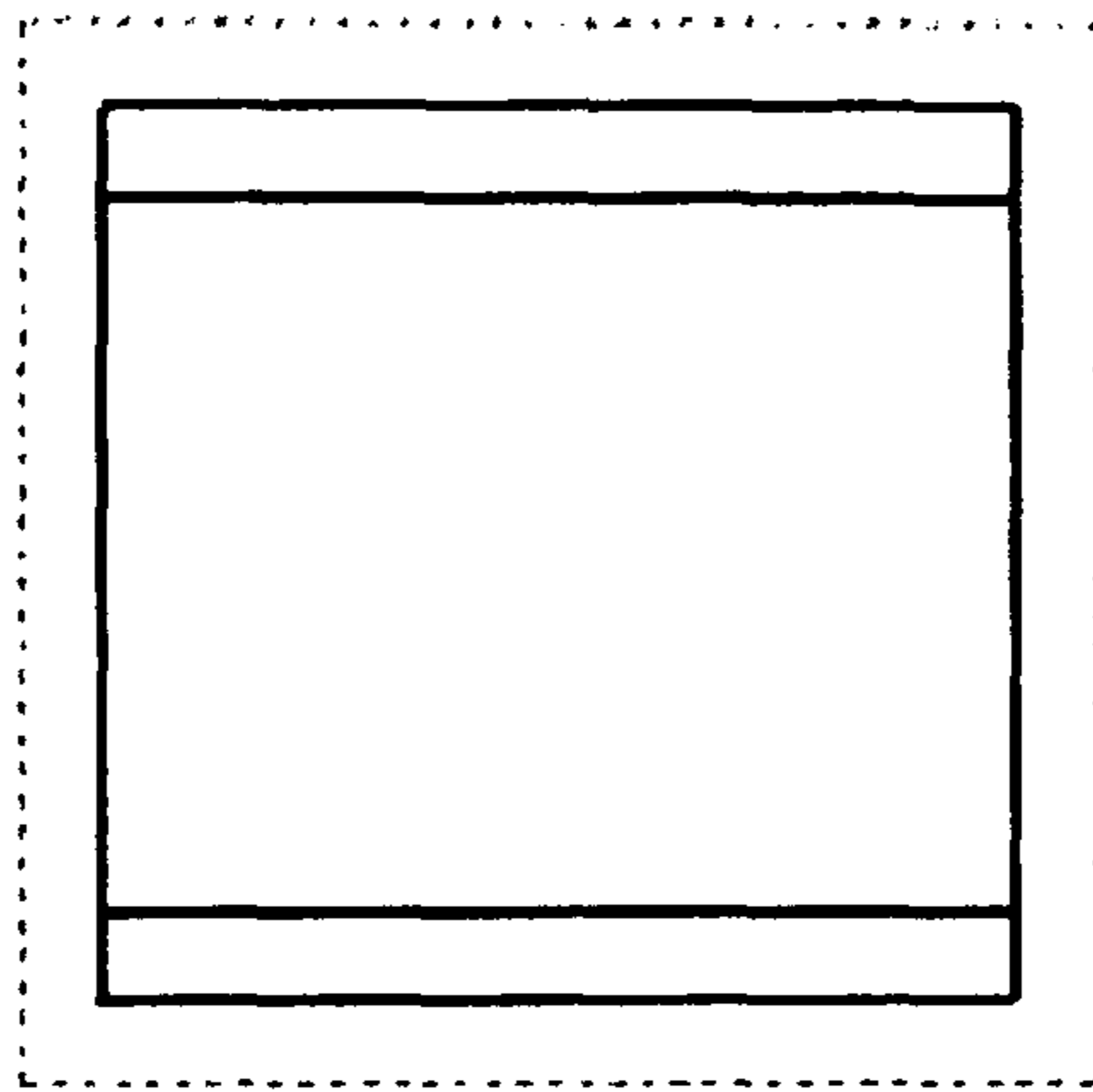


FIG. 3

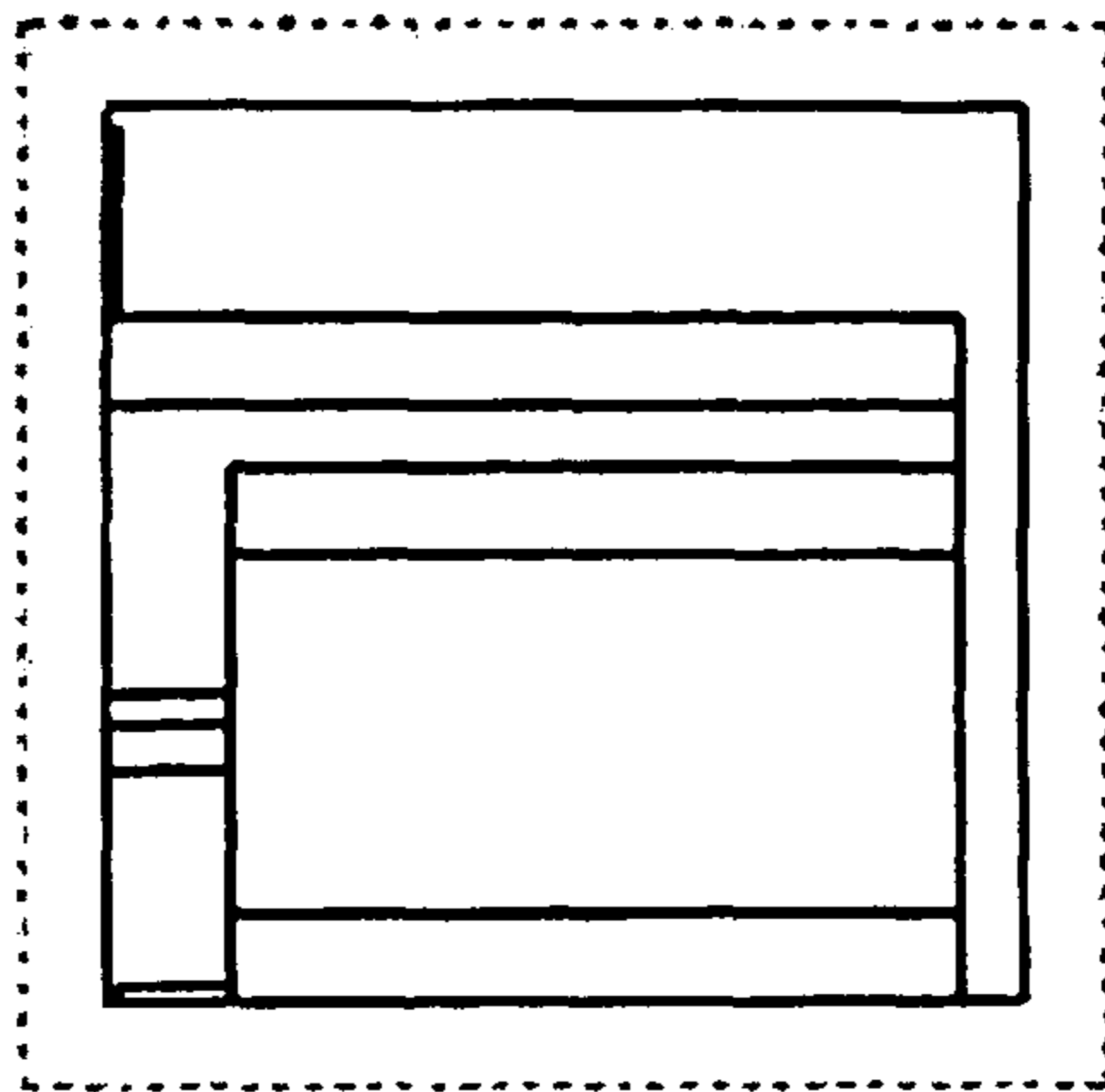


FIG. 4

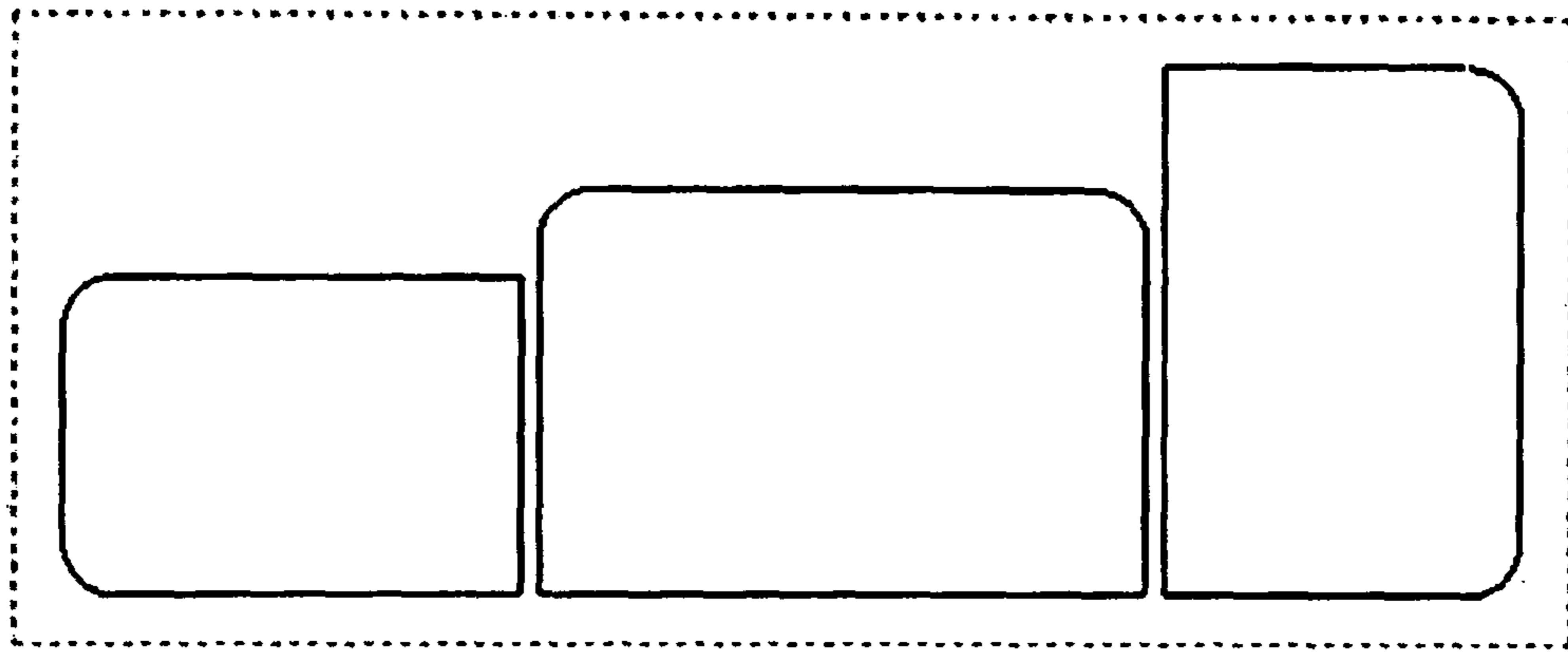


FIG. 5

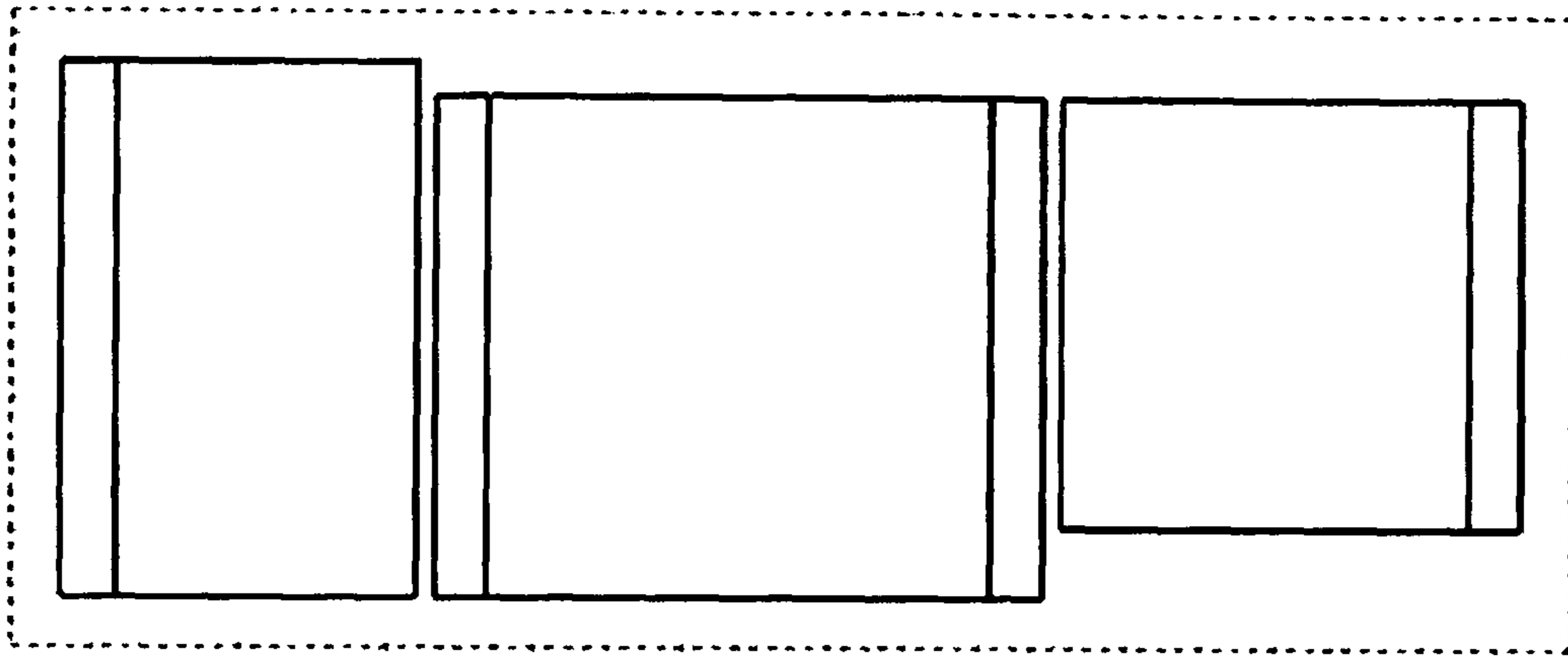


FIG. 6