



US00D809406S

(12) **United States Design Patent**
Seo et al.

(10) **Patent No.:** **US D809,406 S**
(45) **Date of Patent:** **** Feb. 6, 2018**

(54) **SETTING UNIT FOR PRESSURE SENSOR WITH DISPLAY**

G05D 7/00-7/0694; G05D 11/00-11/16;
G05D 13/00-13/66; G05D 23/00-23/32

See application file for complete search history.

(71) Applicant: **SMC CORPORATION**, Tokyo (JP)

(72) Inventors: **Hideo Seo**, Tsukubamirai (JP); **Yuta Oshima**, Tsukubamirai (JP)

(73) Assignee: **SMC Corporation**, Chiyoda-ku, Tokyo (JP)

(**) Term: **15 Years**

(21) Appl. No.: **29/576,194**

(22) Filed: **Sep. 1, 2016**

(30) **Foreign Application Priority Data**

May 31, 2016 (JP) 2016-011539

(51) **LOC (11) Cl.** **10-04**

(52) **U.S. Cl.**
USPC **D10/49**; D10/85; D13/158; D13/162.1

(58) **Field of Classification Search**
USPC D10/49, 85; D13/158, 162, 162.1
CPC G01L 1/00-1/26; G01L 3/00-3/26; G01L 5/00-5/288; G01L 7/00-7/24; G01L 9/00-9/18; G01L 2209/0063-2009/0069; G01L 11/00-11/06; G01L 13/00-13/06; G01L 15/00; G01L 17/00; G01L 17/005; G01L 19/00-19/16; G01L 2019/0053; G01L 21/00-21/36; G01L 23/00-23/32; G01L 2023/228; G01L 25/00-25/006; G01L 27/00-27/02; G01L 7/043; H01H 35/24; H01H 35/26; B60C 23/0408; B60C 23/0494; G05D 16/00-16/2093;

(56) **References Cited**

U.S. PATENT DOCUMENTS

D400,456 S * 11/1998 Inoue D10/85
D407,694 S * 4/1999 Hill D13/162
D677,587 S * 3/2013 Mueller D10/49
D756,938 S * 5/2016 Flegel D13/158
9,410,639 B2 * 8/2016 Fukano F16K 31/1221

* cited by examiner

Primary Examiner — Antoine Duval Davis

(74) *Attorney, Agent, or Firm* — Yokoi & Co., U.S.A.;
Toshiyuki Yokoi

(57) **CLAIM**

The ornamental design for a setting unit for pressure sensor with display, as shown and described.

DESCRIPTION

FIG. 1 shows a front view of a setting unit for pressure sensor with display showing our new design;
FIG. 2 shows a rear view thereof;
FIG. 3 shows a right side view thereof;
FIG. 4 shows a left side view thereof;
FIG. 5 shows a top view thereof;
FIG. 6 shows a bottom view thereof;
FIG. 7 shows a top, front and right side perspective view thereof; and,
FIG. 8 shows a bottom, rear and left side perspective view thereof.

1 Claim, 7 Drawing Sheets

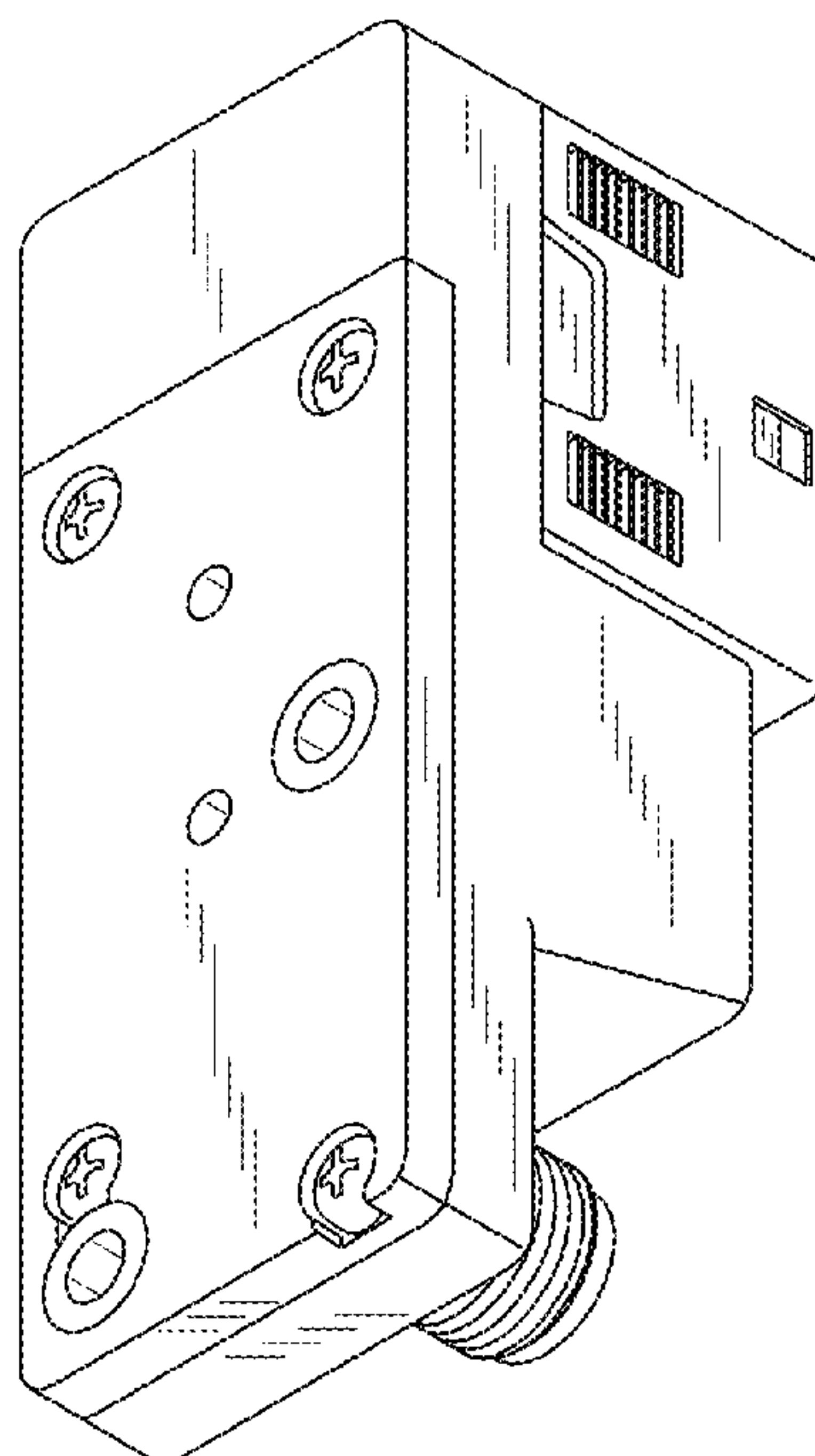
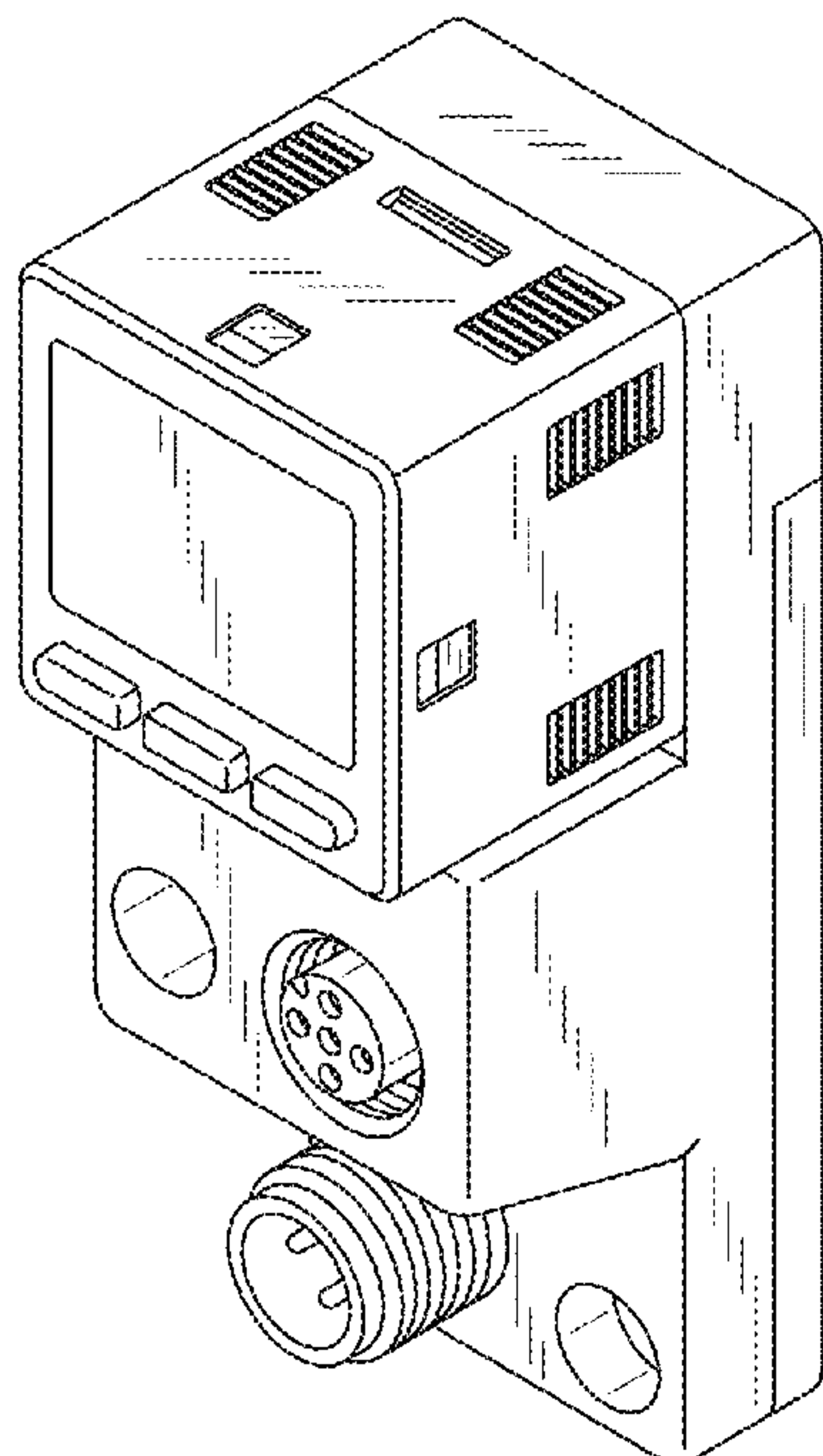


FIG. 1

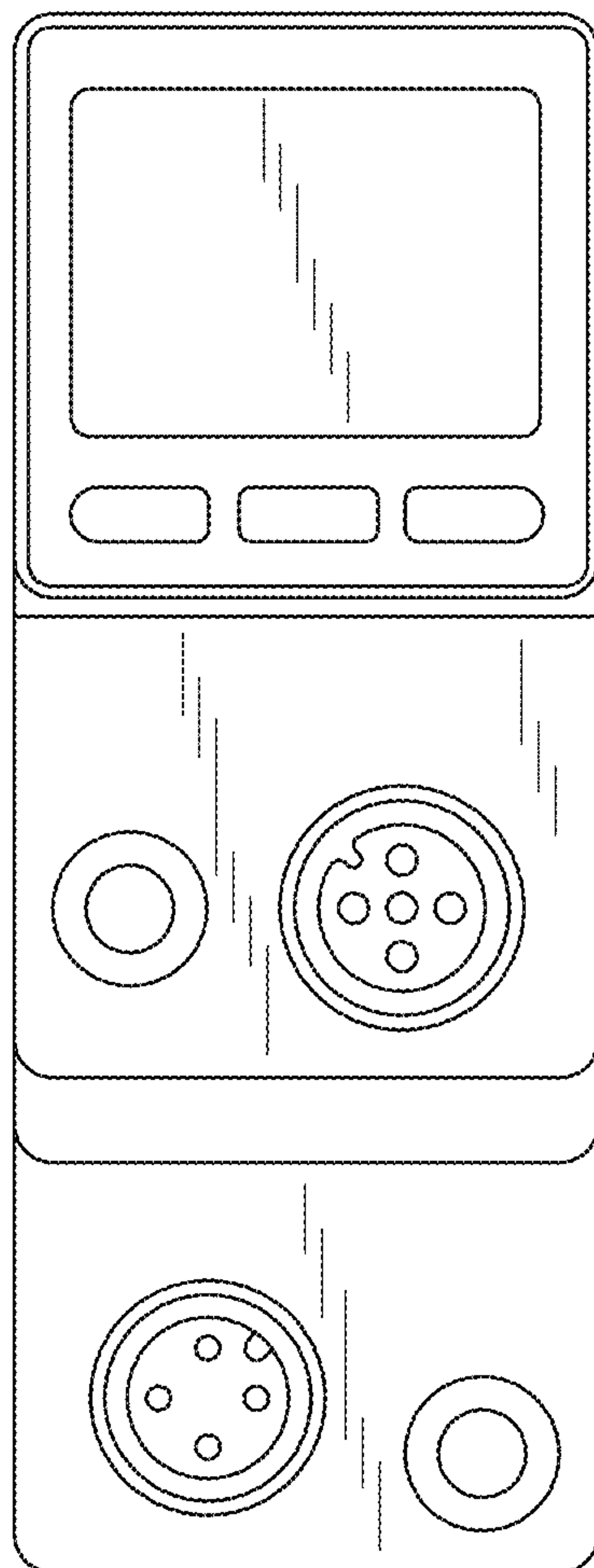


FIG. 2

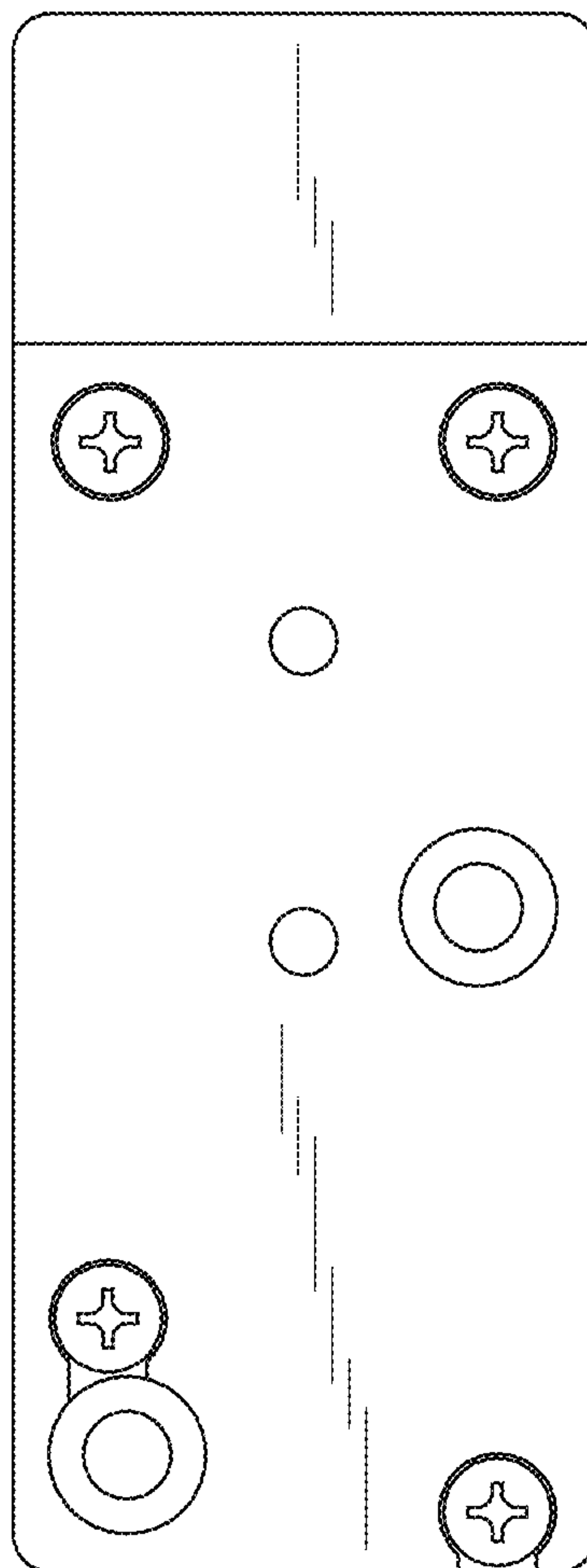


FIG. 3

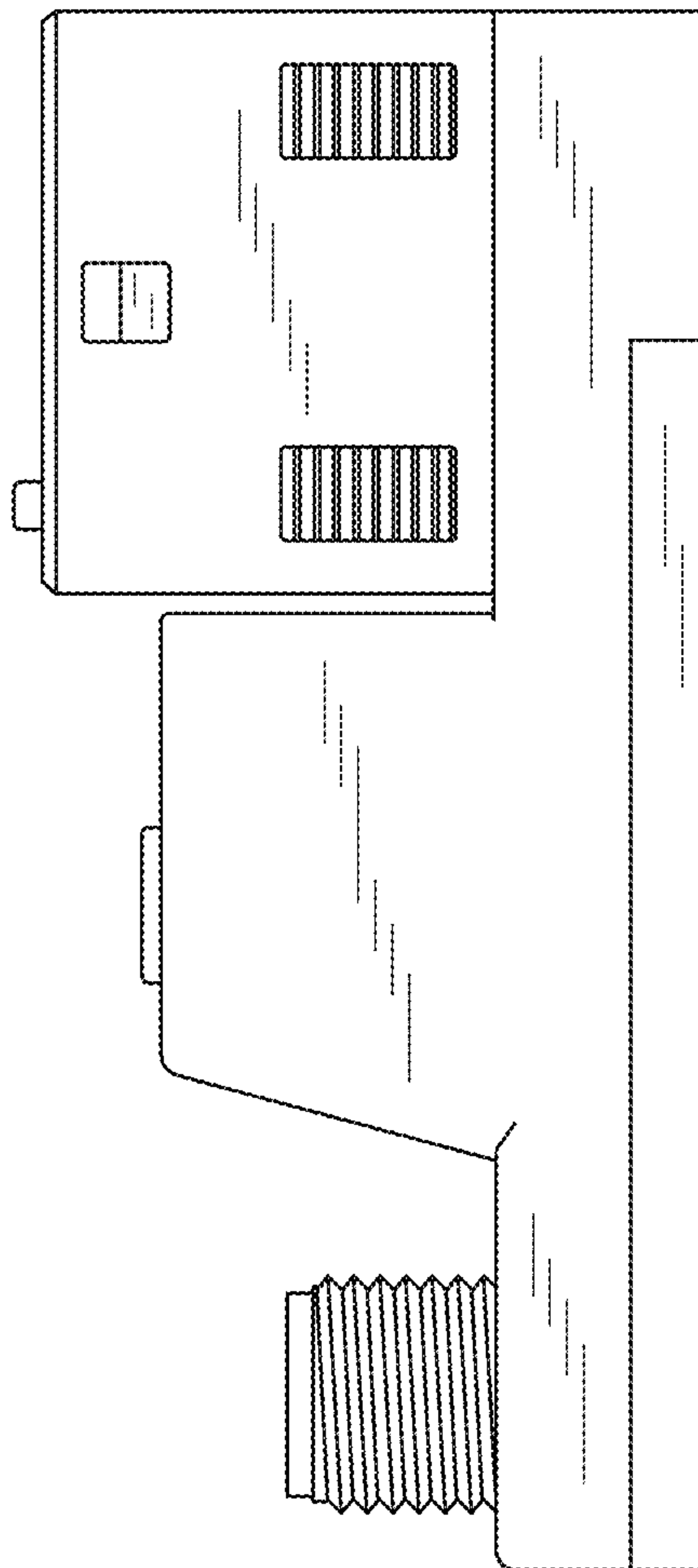


FIG. 4

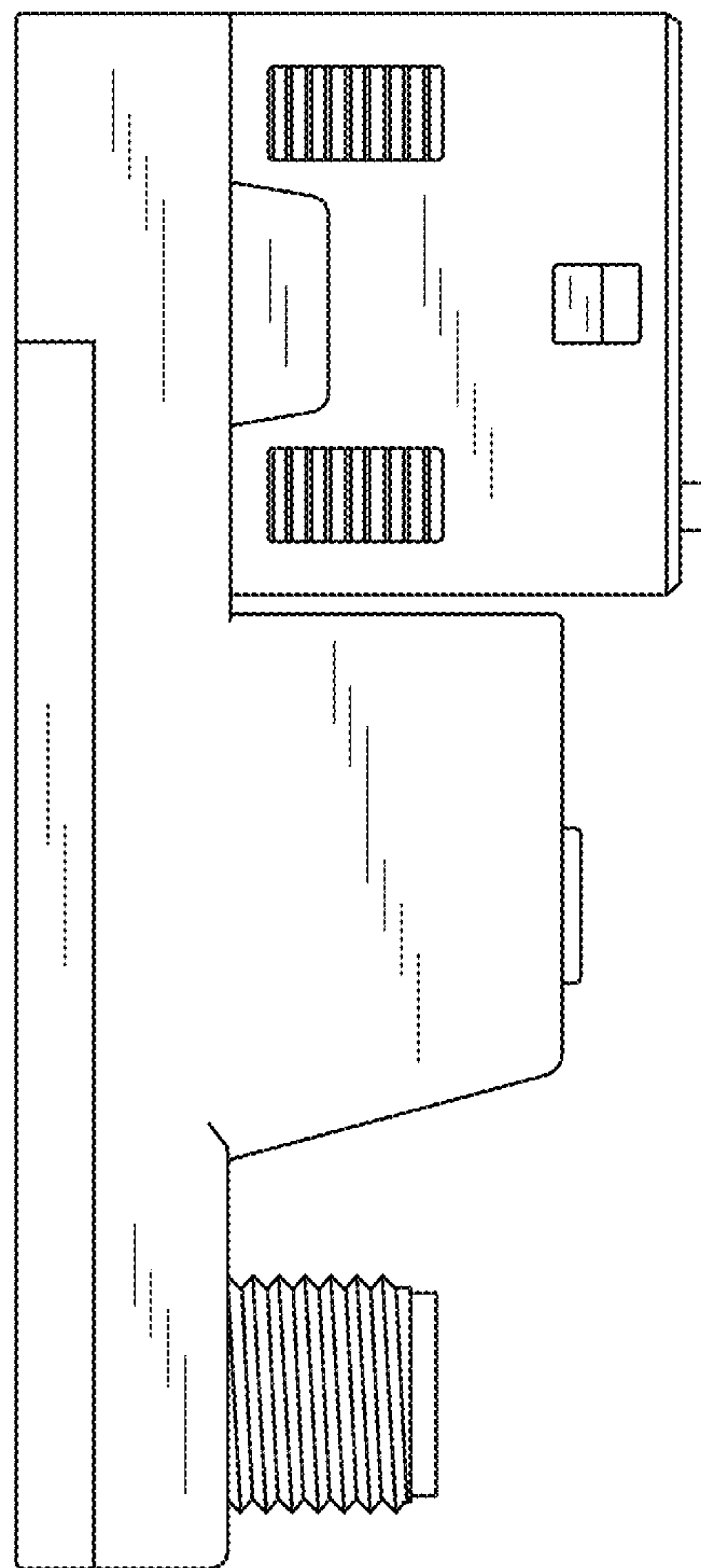


FIG. 5

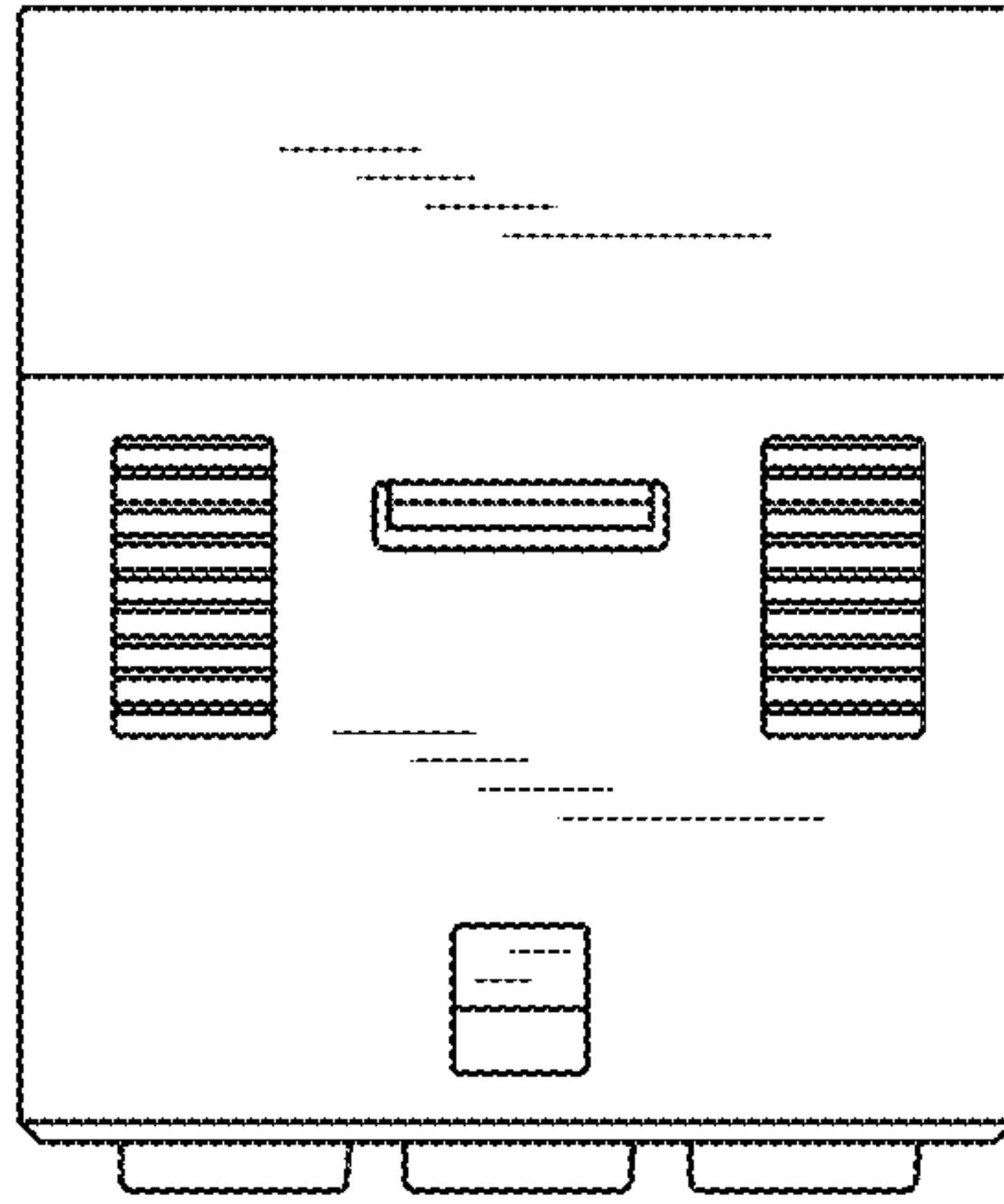


FIG. 6

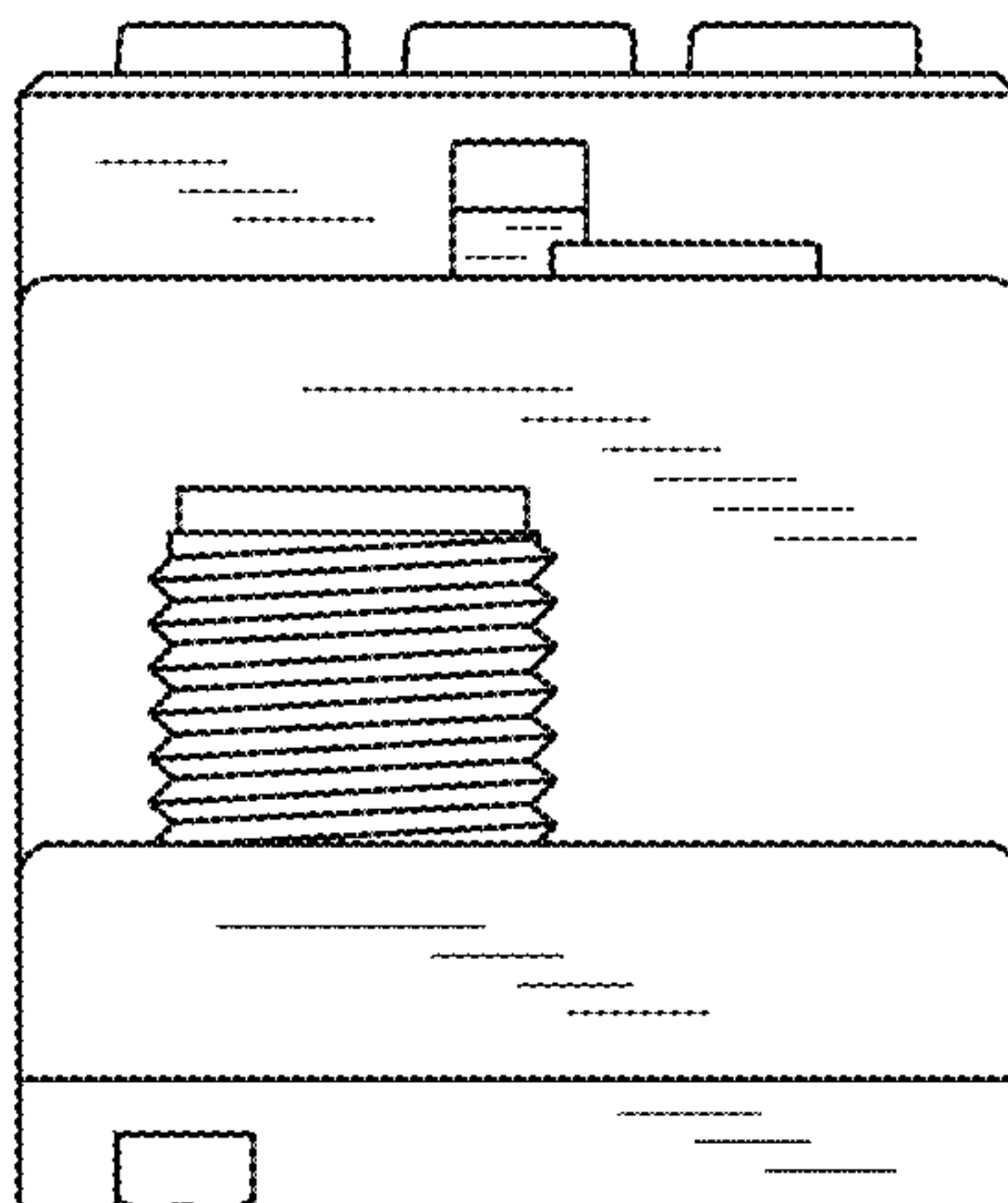


FIG. 7

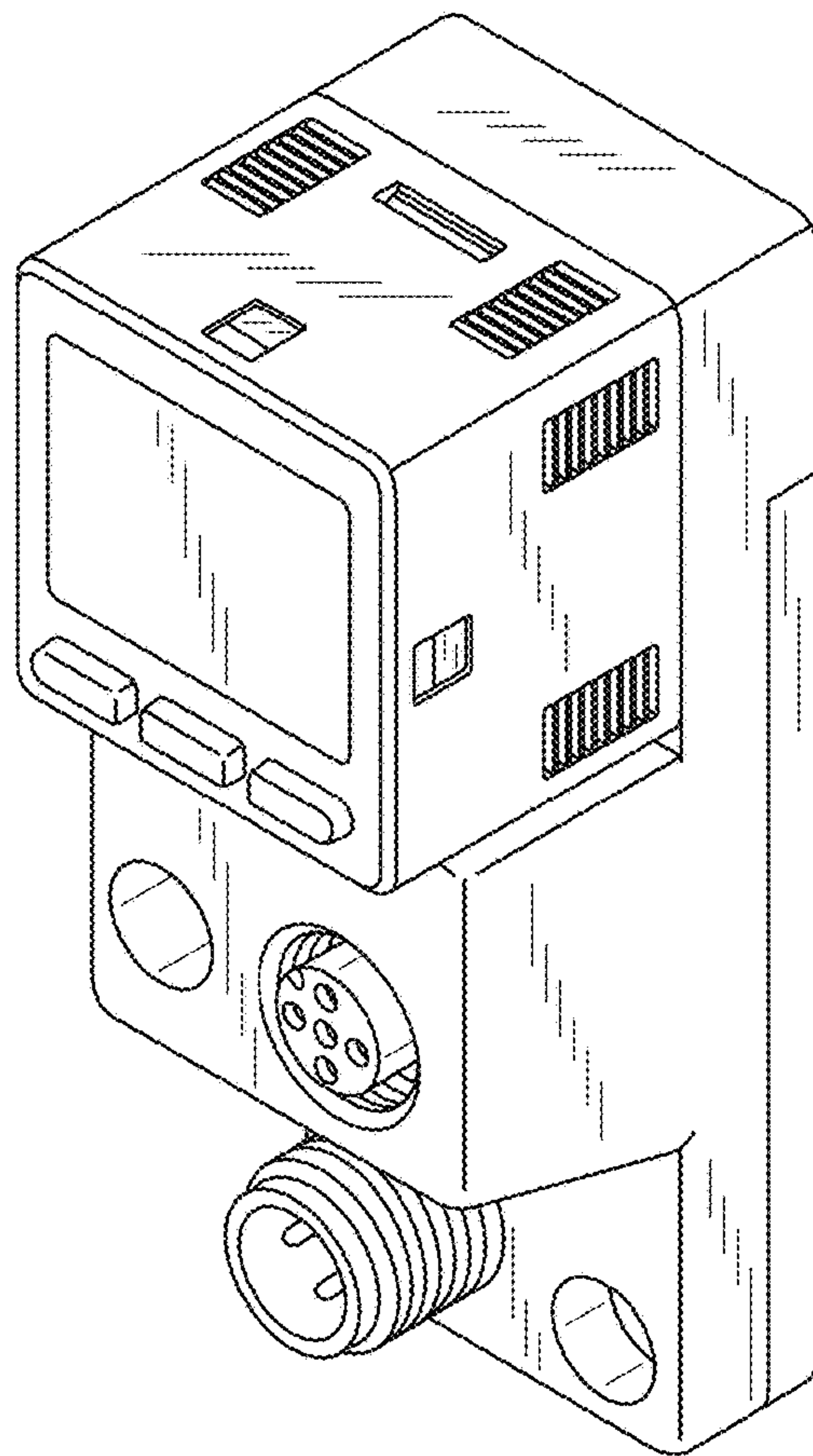


FIG. 8

