



US00D809405S

(12) **United States Design Patent** (10) **Patent No.:** **US D809,405 S**
Bonati (45) **Date of Patent:** **** Feb. 6, 2018**

(54) **WATCH**
(71) Applicant: **OFFICINE PANERAI AG,**
Steinhausen (CH)

D705,671 S * 5/2014 Mijatovic D10/32
D764,318 S * 8/2016 Kauffmann D10/30
D782,337 S * 3/2017 White D10/39
D782,923 S * 4/2017 Belamich D10/39

(72) Inventor: **Angelo Bonati,** Milan (IT)
(73) Assignee: **Officine Panerai AG,** Steinhausen (CH)

FOREIGN PATENT DOCUMENTS

WO DM/045 030 4/1998

(**) Term: **15 Years**

OTHER PUBLICATIONS

(21) Appl. No.: **35/501,783**

Officine Panerai AG, "Panerai Luminor" watch model PAM00560.
Officine Panerai AG, "Panerai Luminor 1950" watch model PAM00422.

(22) Filed: **Apr. 26, 2016**

* cited by examiner

(80) **Hague Agreement Data**

Int. Filing Date: **Apr. 26, 2016**
Int. Reg. No.: **DM/090699**
Int. Reg. Date: **Apr. 26, 2016**
Int. Reg. Pub. Date: **Oct. 28, 2016**

Primary Examiner — George D Kirschbaum
(74) *Attorney, Agent, or Firm* — Fross Zelnick Lehrman & Zissu, P.C.; Lawrence E. Apolzon, Esq.

(51) **LOC (11) Cl.** **10-02**

(57) **CLAIM**

The ornamental design for a watch, as shown and described.

(52) **U.S. Cl.**
USPC **D10/38**

DESCRIPTION

(58) **Field of Classification Search**
USPC D10/30-32, 38-39
CPC G04B 19/00
See application file for complete search history.

FIG. 1.1 is a front perspective view of a watch showing my new design;
FIG. 1.2 is a front view thereof;
FIG. 1.3 is a back view thereof;
FIG. 1.4 is a left side view thereof;
FIG. 1.5 is a right side view thereof,
FIG. 1.6 is a top view thereof; and
FIG. 1.7 is a bottom view thereof.

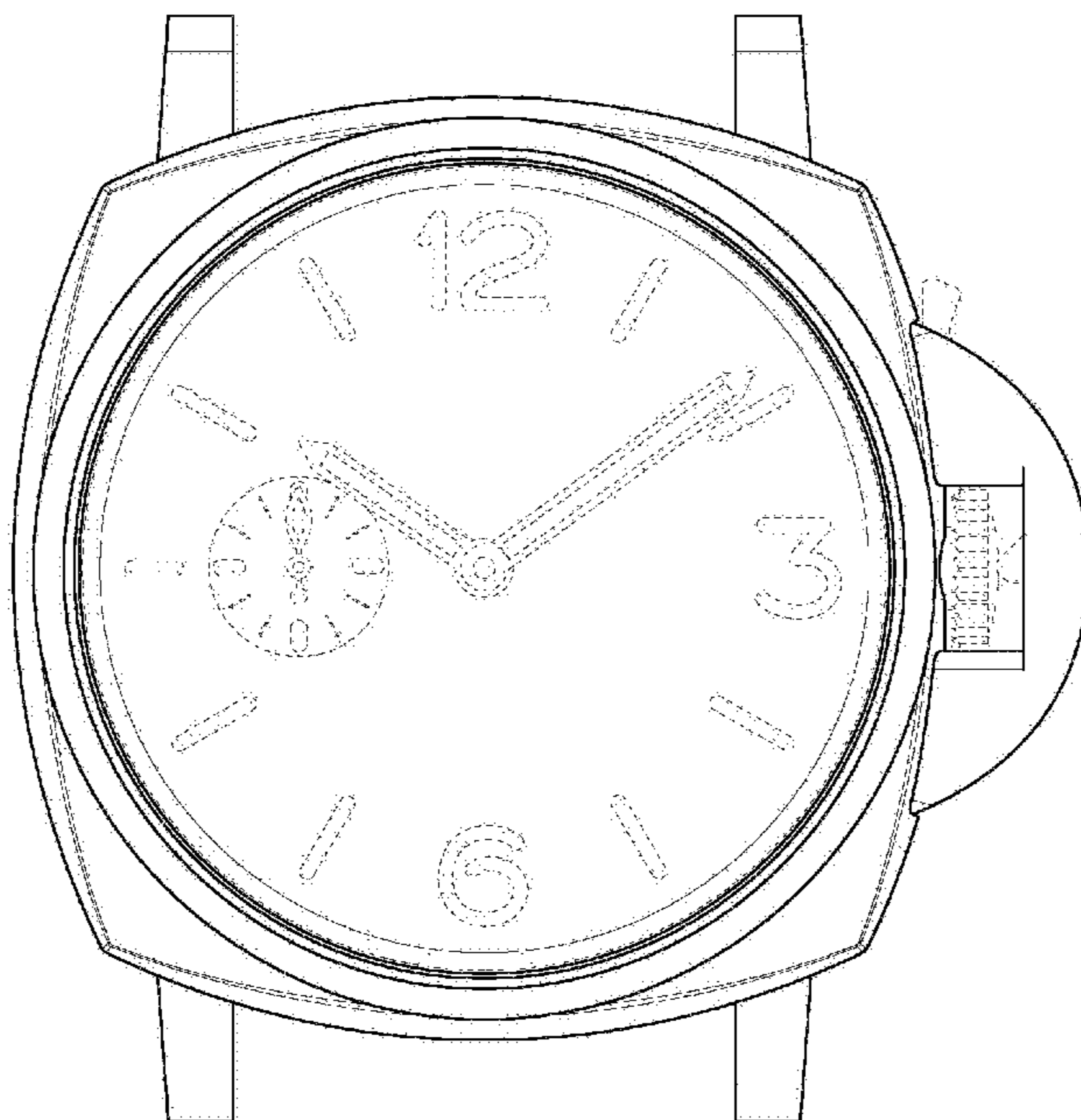
(56) **References Cited**

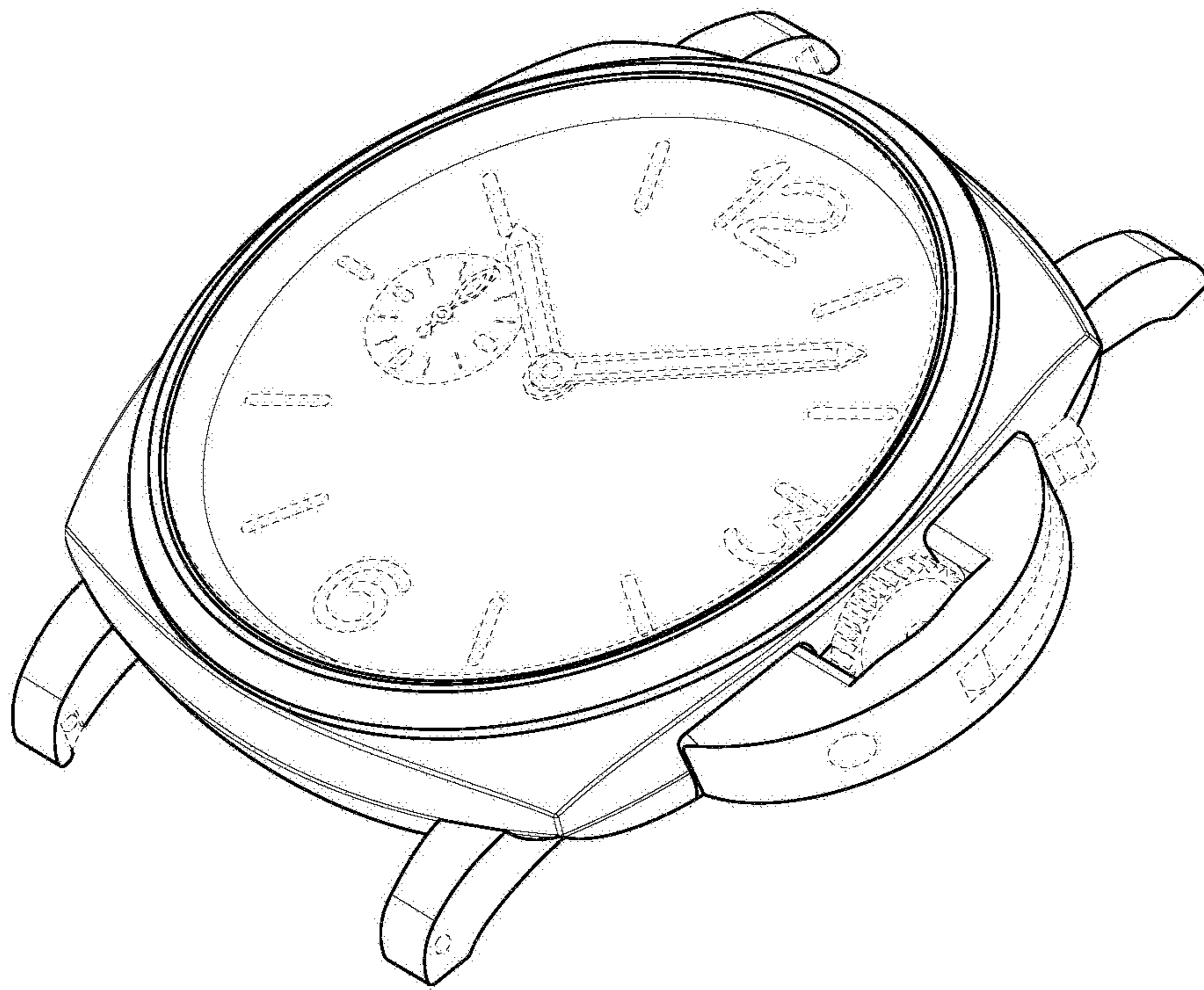
U.S. PATENT DOCUMENTS

D537,737 S * 3/2007 Galli D10/31
D566,585 S * 4/2008 Belamich D10/39
D656,044 S * 3/2012 Favre D10/38
D694,656 S * 12/2013 Inoue D10/38
D698,268 S * 1/2014 Mijatovic D10/32

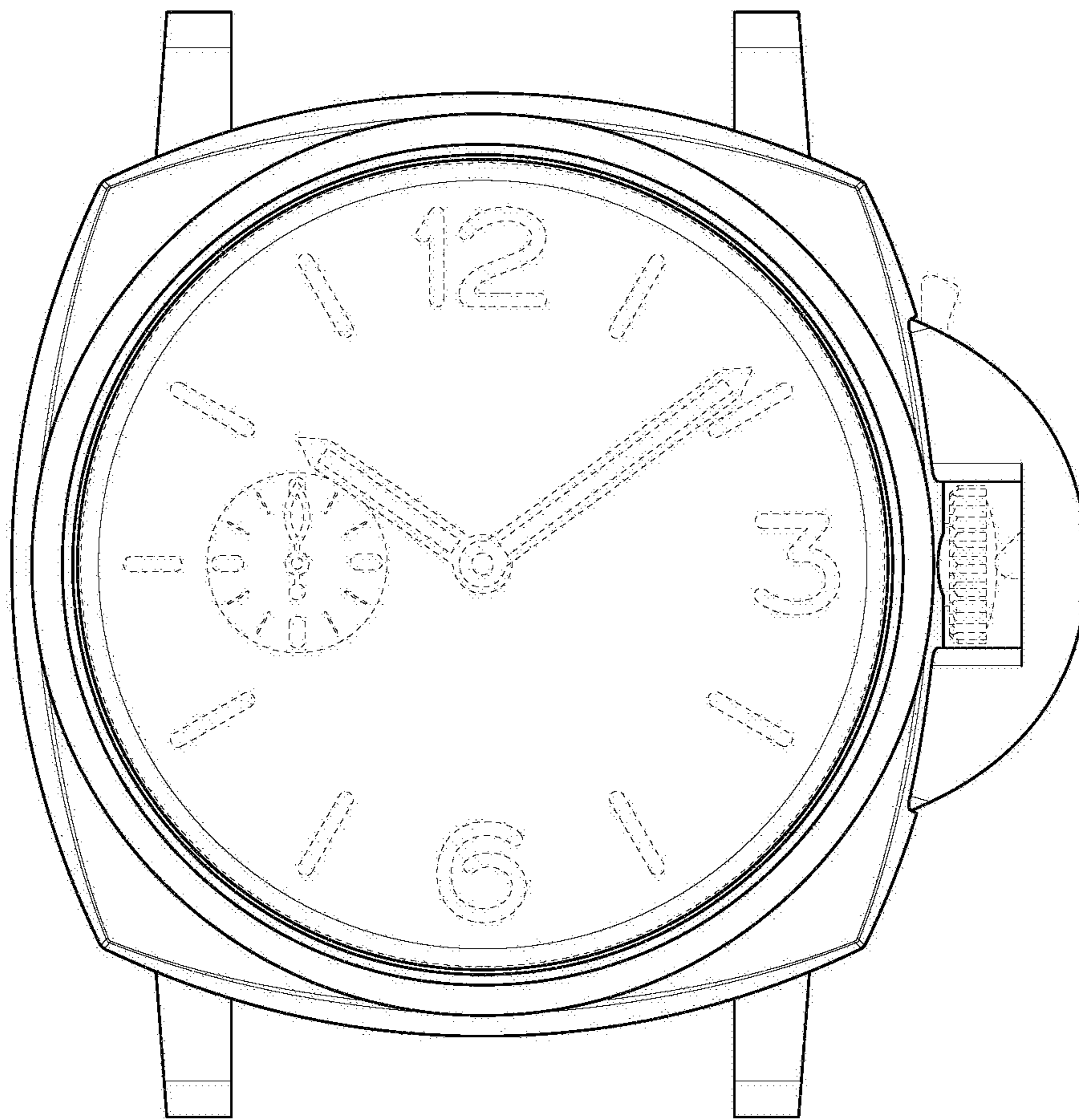
The broken line showing of a watch face, hands, winding knob, and other minor elements is included for the purpose of illustrating portions of the "article" and forms no part of the claimed design.

1 Claim, 7 Drawing Sheets

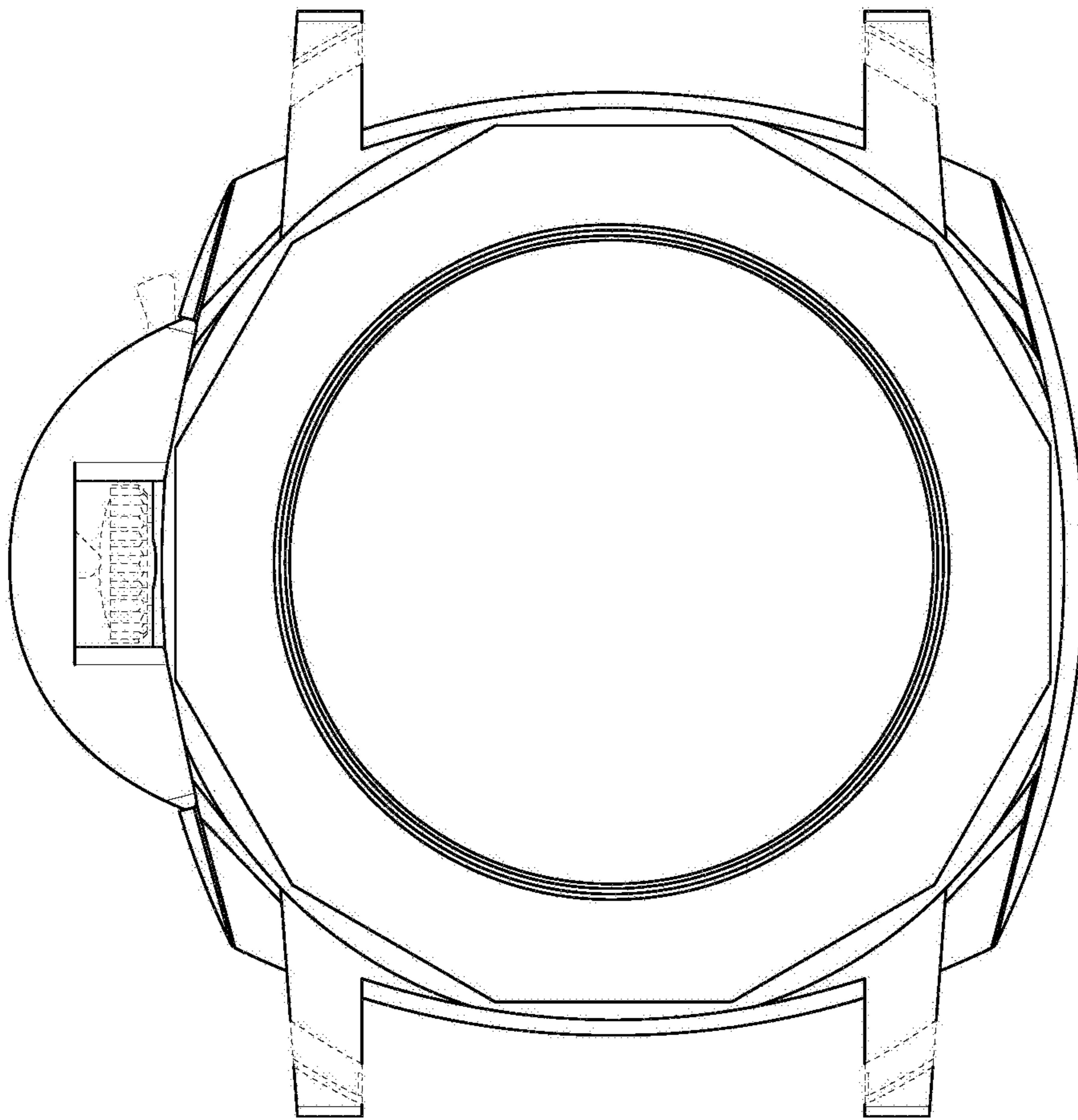




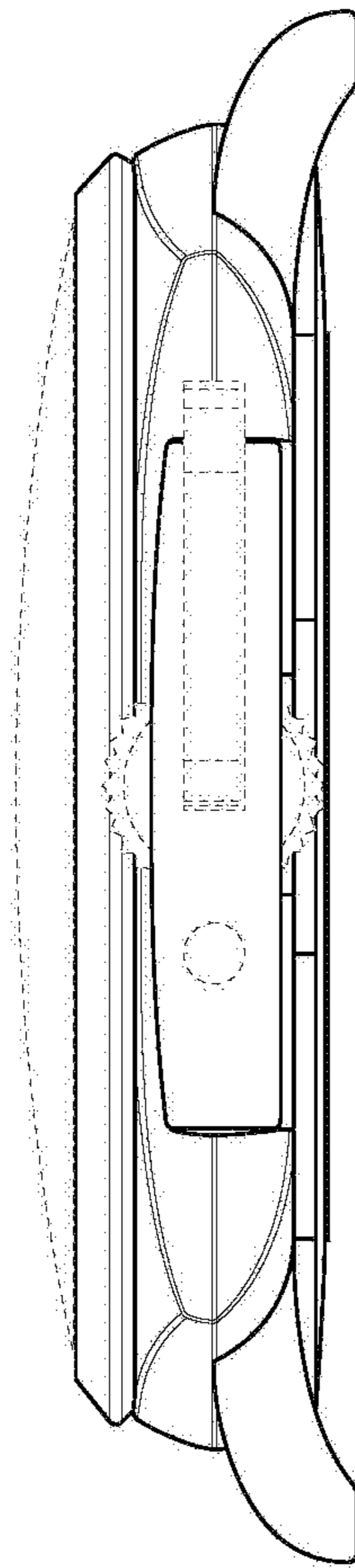
1.1



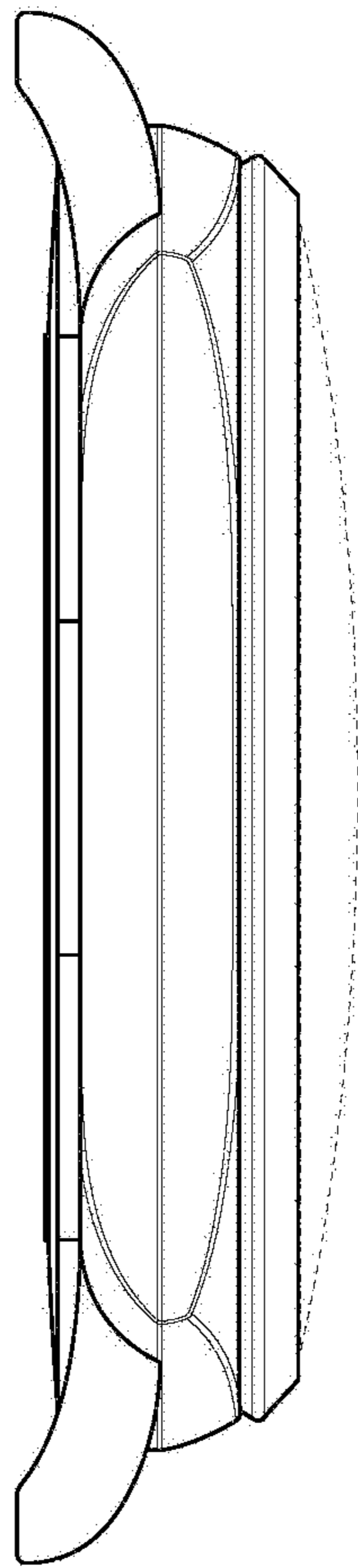
1.2



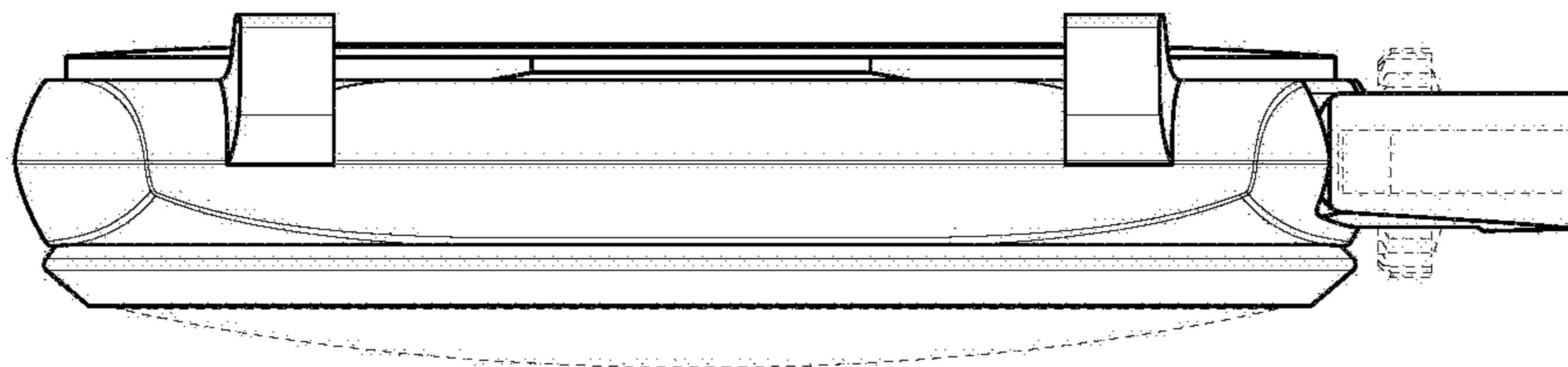
1.3



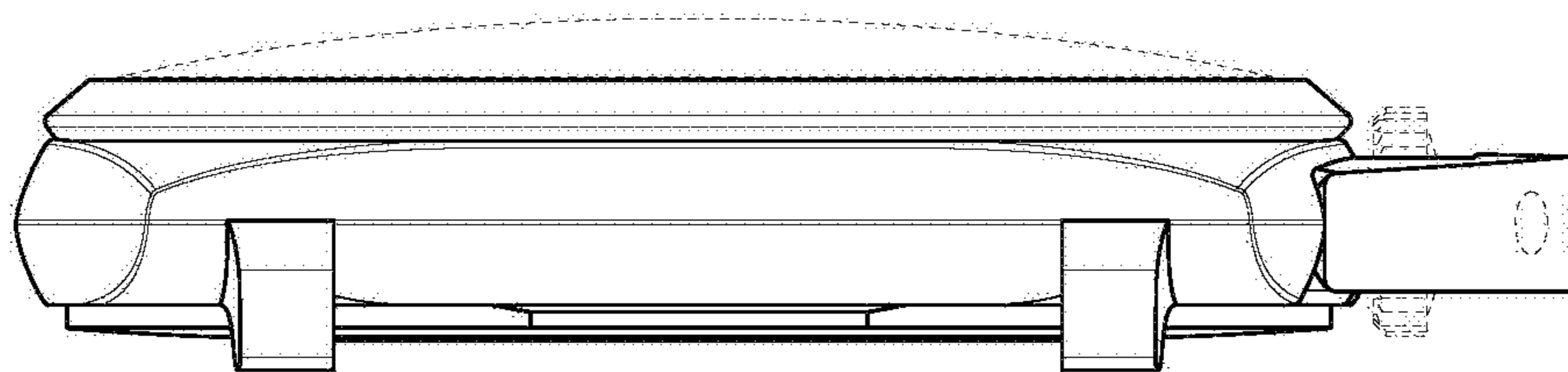
1.4



1.5



1.6



1.7