



US00D809404S

(12) **United States Design Patent**  
**Gonzalez**

(10) **Patent No.:** **US D809,404 S**

(45) **Date of Patent:** **\*\* Feb. 6, 2018**

(54) **DUAL CHAMBER BOTTLE**

(71) Applicant: **THE CLOROX COMPANY**, Oakland, CA (US)

(72) Inventor: **German R. Gonzalez**, Pleasanton, CA (US)

(73) Assignee: **The Clorox Company**, Oakland, CA (US)

(\*\*) Term: **15 Years**

(21) Appl. No.: **29/609,354**

(22) Filed: **Jun. 29, 2017**

**Related U.S. Application Data**

(62) Division of application No. 29/567,985, filed on Jun. 14, 2016, now Pat. No. Des. 795,082.

(51) **LOC (11) Cl.** ..... **09-01**

(52) **U.S. Cl.**  
USPC ..... **D9/742; D9/754**

(58) **Field of Classification Search**  
USPC ..... D9/741, 516, 529, 559, 564-566, 561, D9/562, 575, 737, 738, 686, 689, 691, D9/693, 570, 574, 747, 569, 573, 620, D9/341, 367, 751, 756, 530, 313, 375, D9/403, 409, 413, 558, 547, 743, 744, D9/539-546, 520-524; D7/509-511, D7/563, 573, 513, 300, 308, 312, 315, D7/601, 602, 619.1, 622; D3/202; 264/532; 222/129, 94, 135; 220/505, 220/504, 288, 709, 23.4, 23.8, 23.88, 633, 220/916, 660, 669; 215/6, 10, 1 R, 1 C, 215/379, 381-384  
CPC ..... B05B 11/00; B05B 11/0037; B65D 1/04; B65D 1/24; B65D 21/0201; B65D 2501/0081; B65D 81/3283; B65D 81/3244; B65D 83/40; B65D 83/68; B29L 2031/7158; A47G 2019/122

See application file for complete search history.

(56) **References Cited**

U.S. PATENT DOCUMENTS

D192,980 S \* 6/1962 Mangini et al. .... D9/741  
D194,165 S \* 11/1962 Riley et al. .... D9/741  
3,347,420 A \* 10/1967 Donoghue ..... G01F 11/286  
222/129  
D305,451 S \* 1/1990 Rosenbaum ..... D23/225

(Continued)

*Primary Examiner* — Cathron C Brooks

*Assistant Examiner* — W. A. Teddy Falloway

(74) *Attorney, Agent, or Firm* — Erin Collins

(57) **CLAIM**

The ornamental design for a dual chamber bottle, as shown and described.

**DESCRIPTION**

FIG. 1 is a top perspective view of the dual chamber bottle with a shrink sleeve provided thereover.

FIG. 2 is a first side view of the dual chamber bottle with a shrink sleeve shown in FIG. 1.

FIG. 3 is a second, opposite side view of the dual chamber bottle with a shrink sleeve shown in FIG. 1.

FIG. 4 is a front view of the dual chamber bottle with a shrink sleeve shown in FIG. 1.

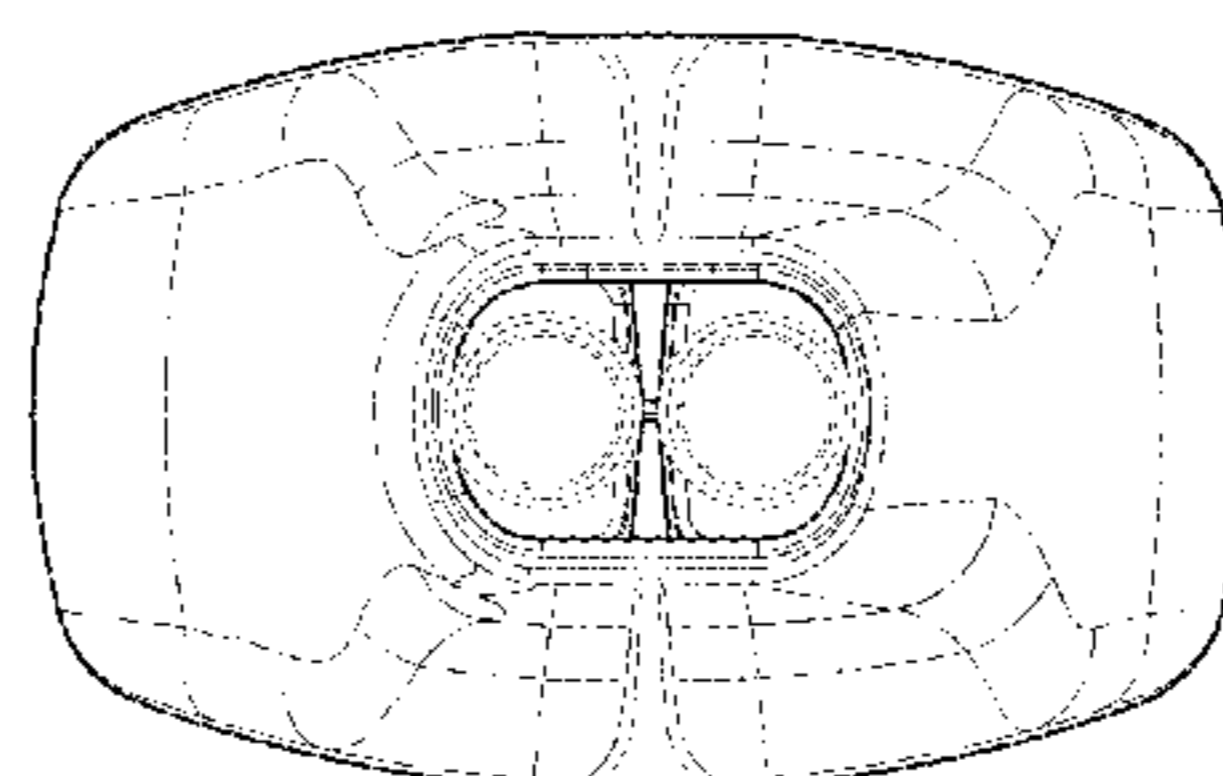
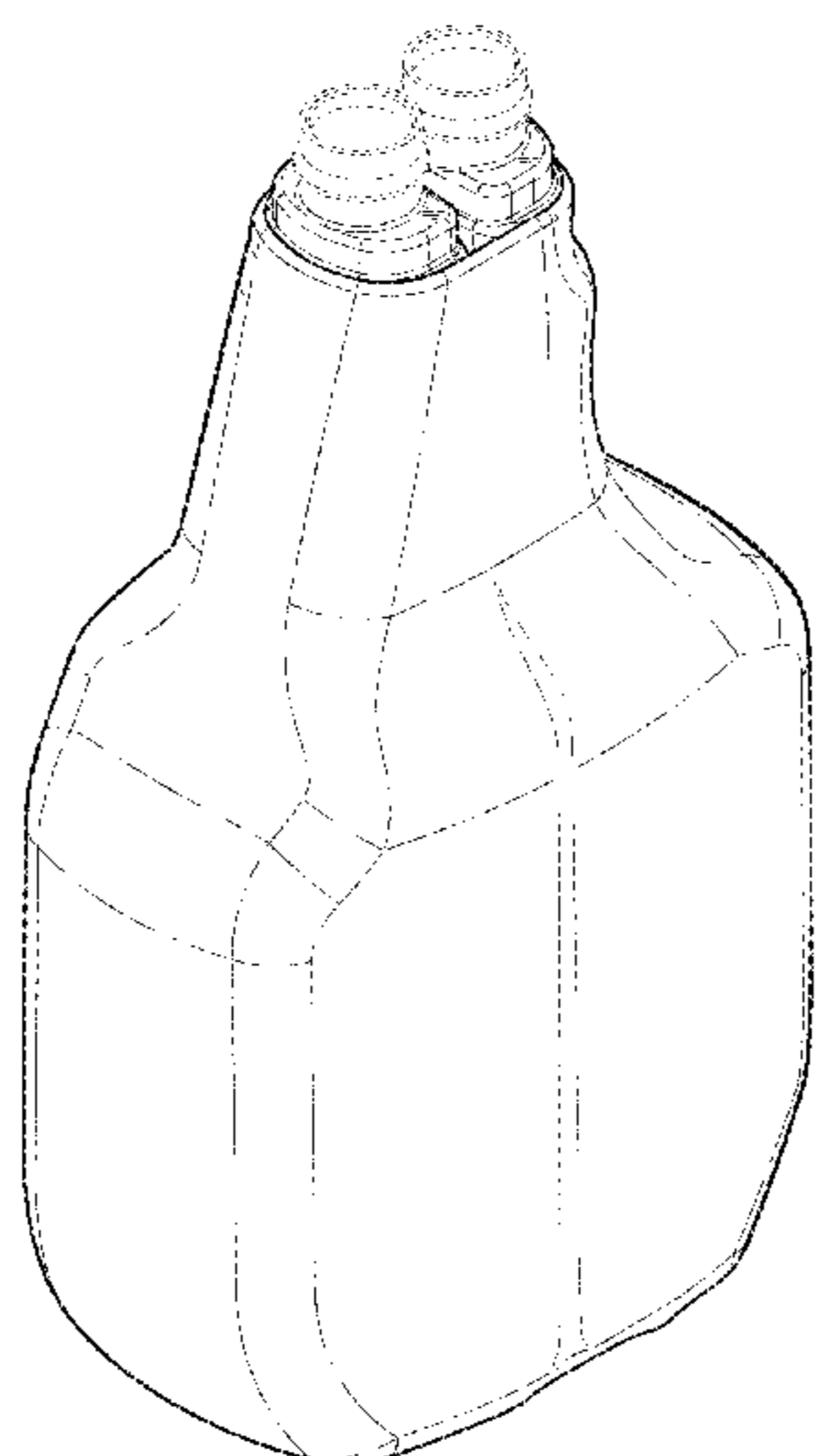
FIG. 5 is a rear view of the dual chamber bottle with a shrink sleeve shown in FIG. 1.

FIG. 6 is a top plan view of the dual chamber bottle with a shrink sleeve shown in FIG. 1; and,

FIG. 7 is a bottom plan view of the dual chamber bottle with a shrink sleeve shown in FIG. 1.

The dash-dash broken lines shown at the top of the bottle in FIGS. 1-6 illustrate portions of the dual chamber bottle, and form no part of the claimed design. The intermittent broken lines shown on the shrink sleeve of the dual chamber bottle are contour lines.

**1 Claim, 6 Drawing Sheets**



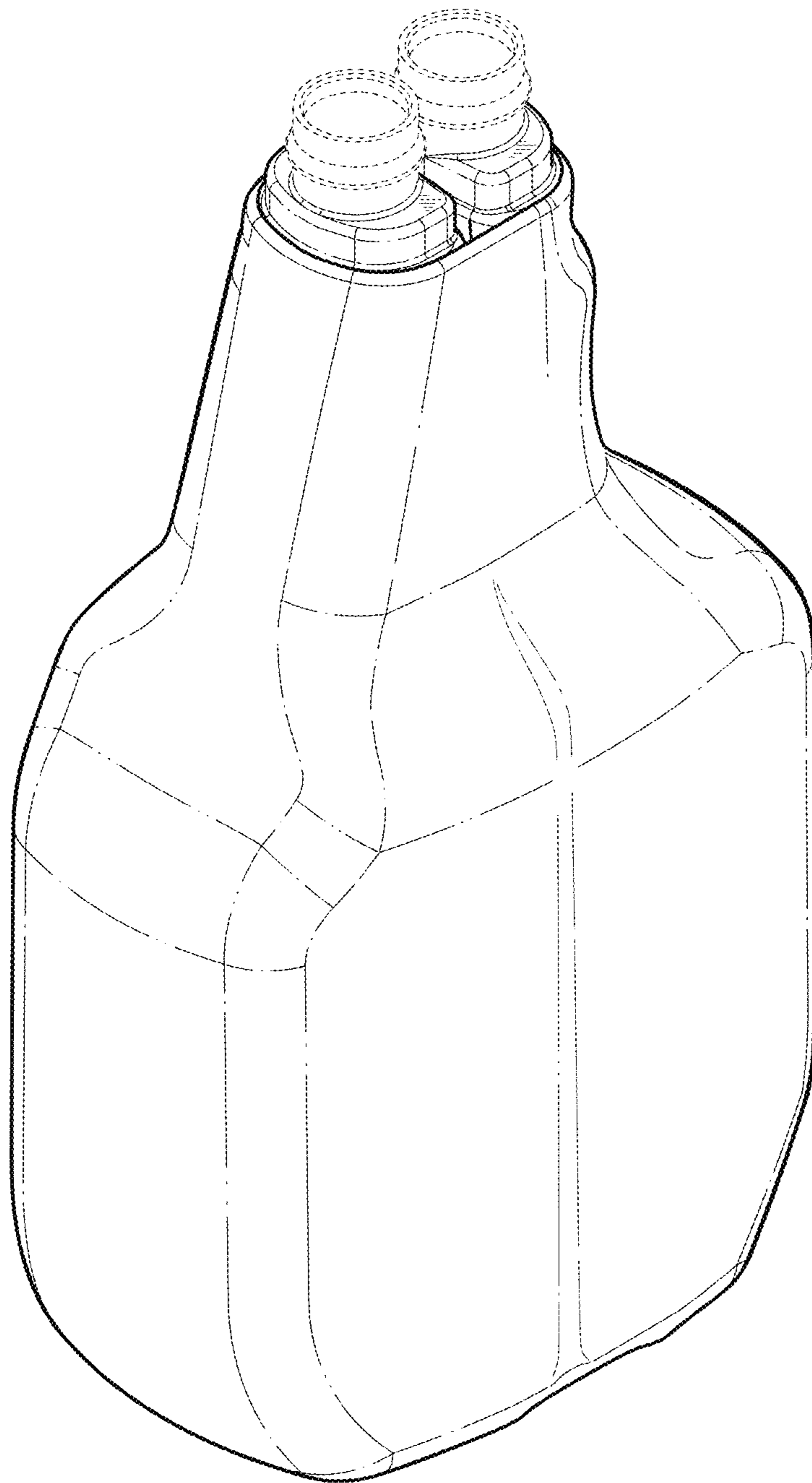
(56)

References Cited

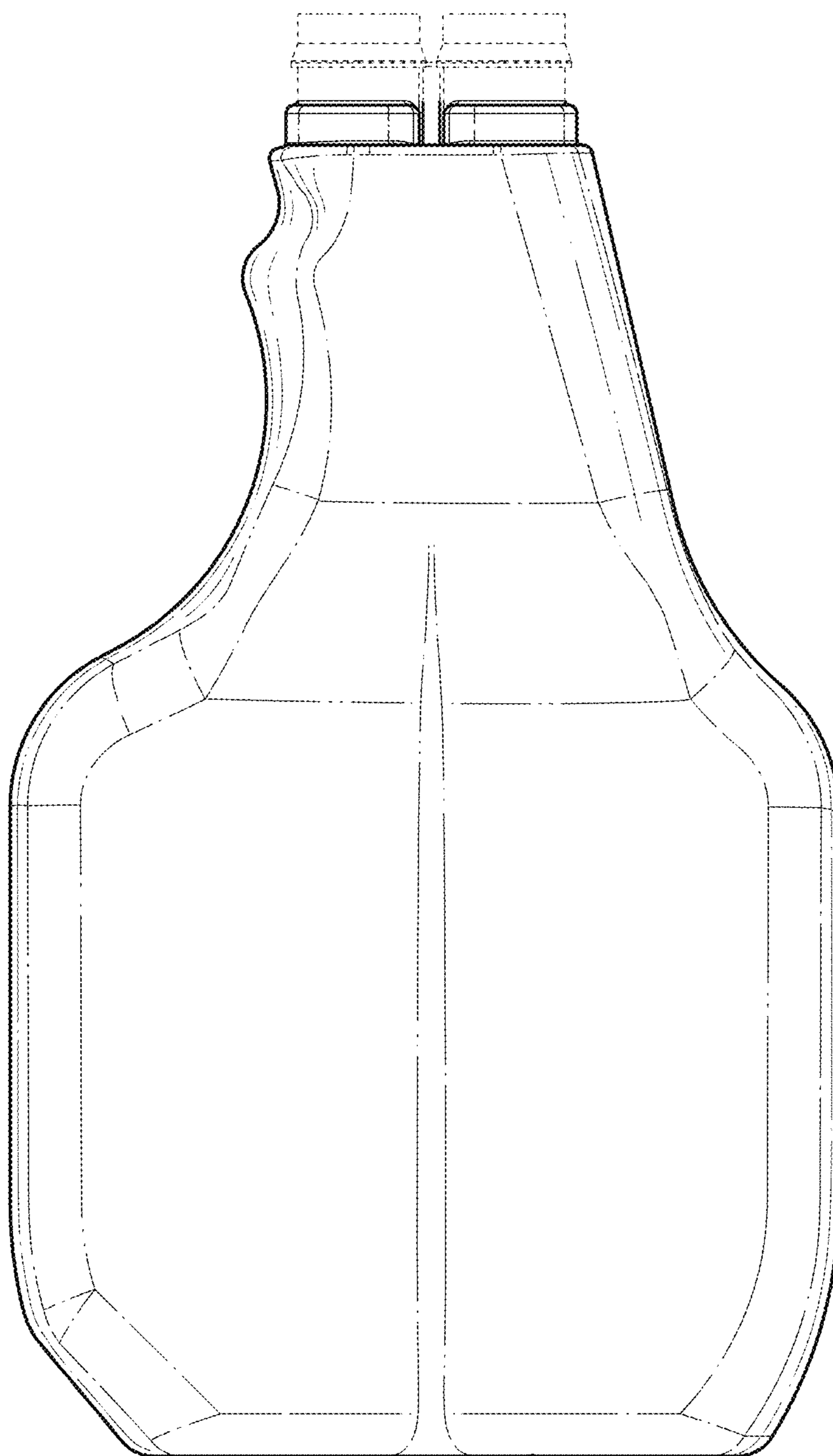
U.S. PATENT DOCUMENTS

5,252,312 A \* 10/1993 Gentile ..... A61K 8/19  
 206/216  
 D342,022 S \* 12/1993 Pritchard ..... D9/449  
 D354,683 S \* 1/1995 Rupert ..... D9/520  
 D367,005 S \* 2/1996 Warrilow ..... D9/523  
 5,607,072 A \* 3/1997 Rigney ..... B65D 1/04  
 206/431  
 5,971,197 A \* 10/1999 Everette ..... B65D 1/04  
 215/6  
 D430,798 S \* 9/2000 Stevens ..... D9/520  
 D471,460 S \* 3/2003 Paul ..... D9/516  
 D471,819 S \* 3/2003 Paul ..... D9/445  
 D558,605 S \* 1/2008 Bowers ..... D9/738  
 D607,753 S \* 1/2010 Farrell ..... D9/563  
 D635,034 S \* 3/2011 Burgeson ..... D9/566  
 8,562,907 B2 \* 10/2013 Green ..... A01N 31/02  
 134/84  
 D753,509 S \* 4/2016 Bruining ..... D9/543  
 D766,738 S \* 9/2016 Buckner, III ..... D9/741  
 D795,082 S \* 8/2017 Gonzalez ..... D9/742  
 9,751,248 B2 \* 9/2017 DiBiasio ..... B29C 49/22  
 2016/0038959 A1 \* 2/2016 Lopez ..... B05B 11/3011  
 222/135  
 2016/0121538 A1 \* 5/2016 DiBiasio ..... B29C 49/50  
 264/515  
 2016/0122066 A1 \* 5/2016 DiBiasio ..... B29C 49/04  
 215/6  
 2016/0228899 A1 \* 8/2016 Gonzalez ..... B05B 11/3084  
 2016/0228900 A1 \* 8/2016 Gonzalez ..... B05B 11/3084

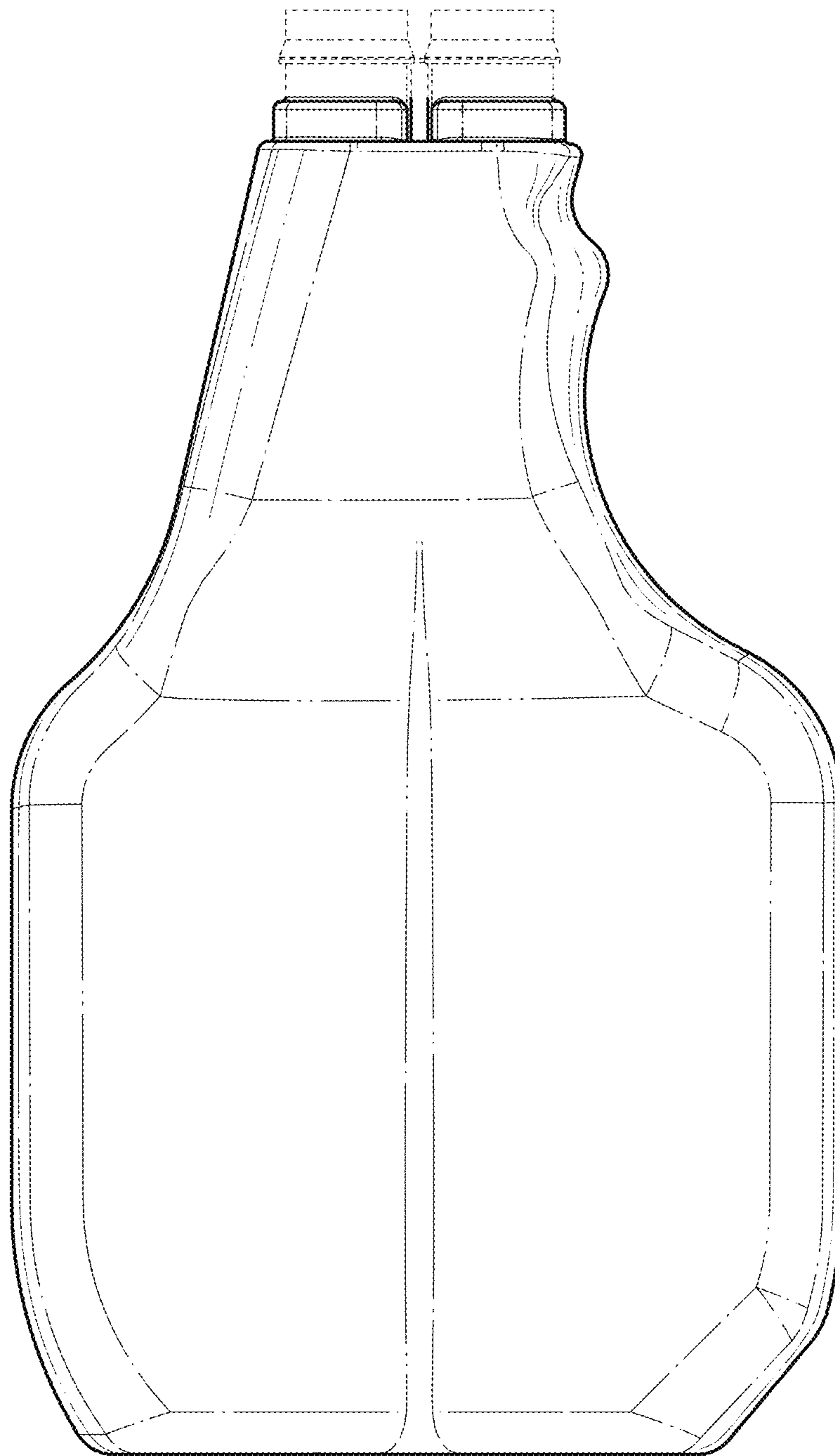
\* cited by examiner



**FIG. 1**

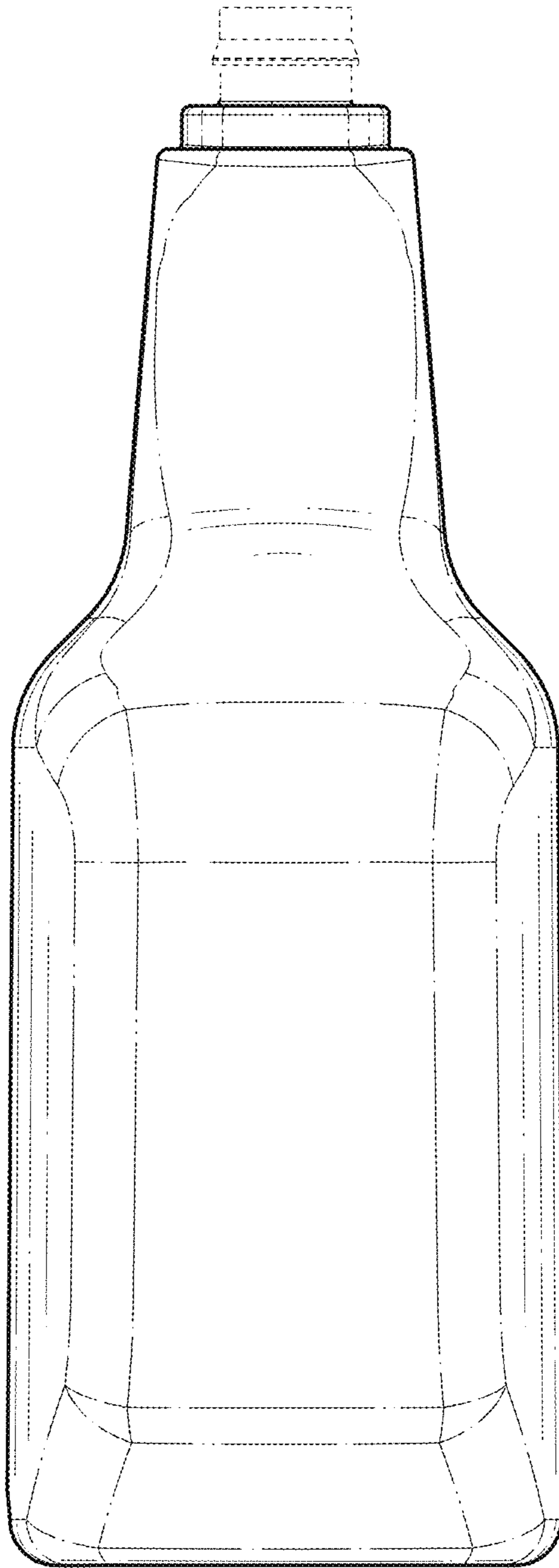


**FIG. 2**

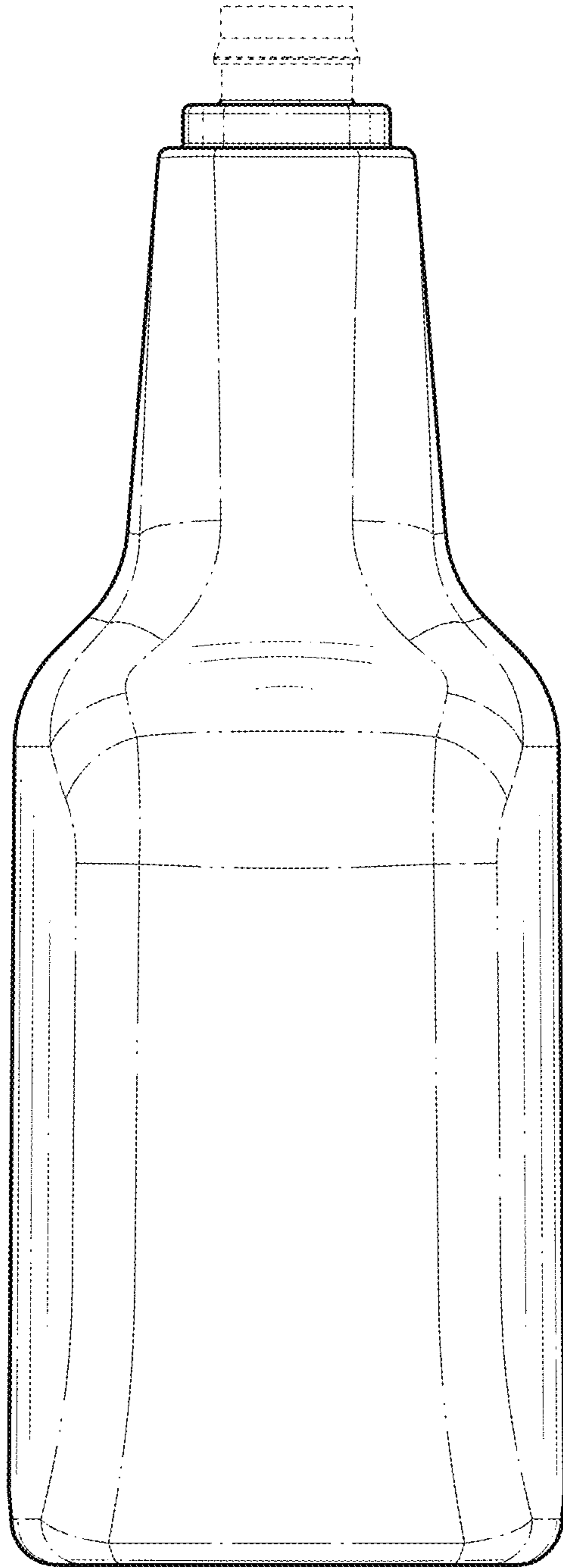


**FIG. 3**

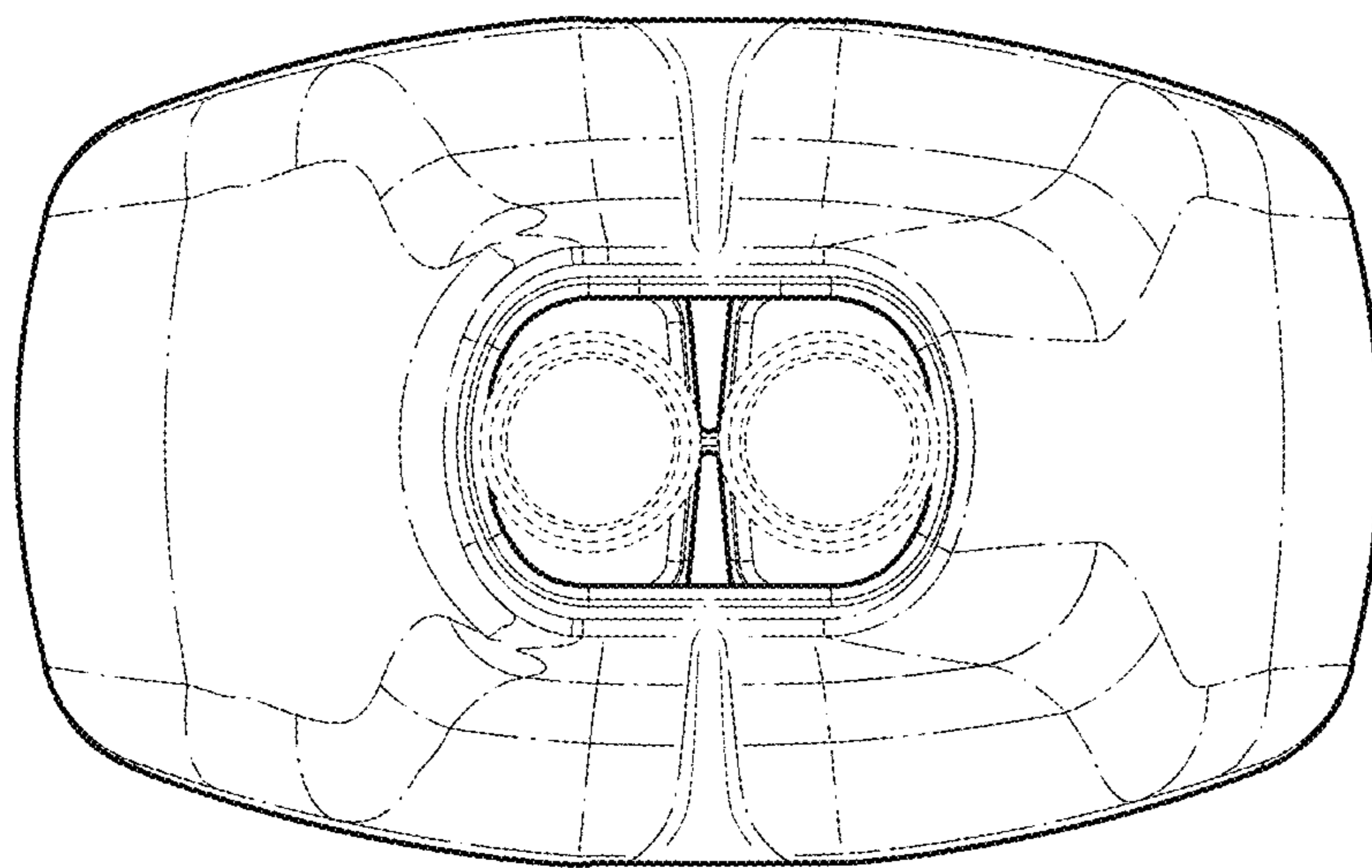




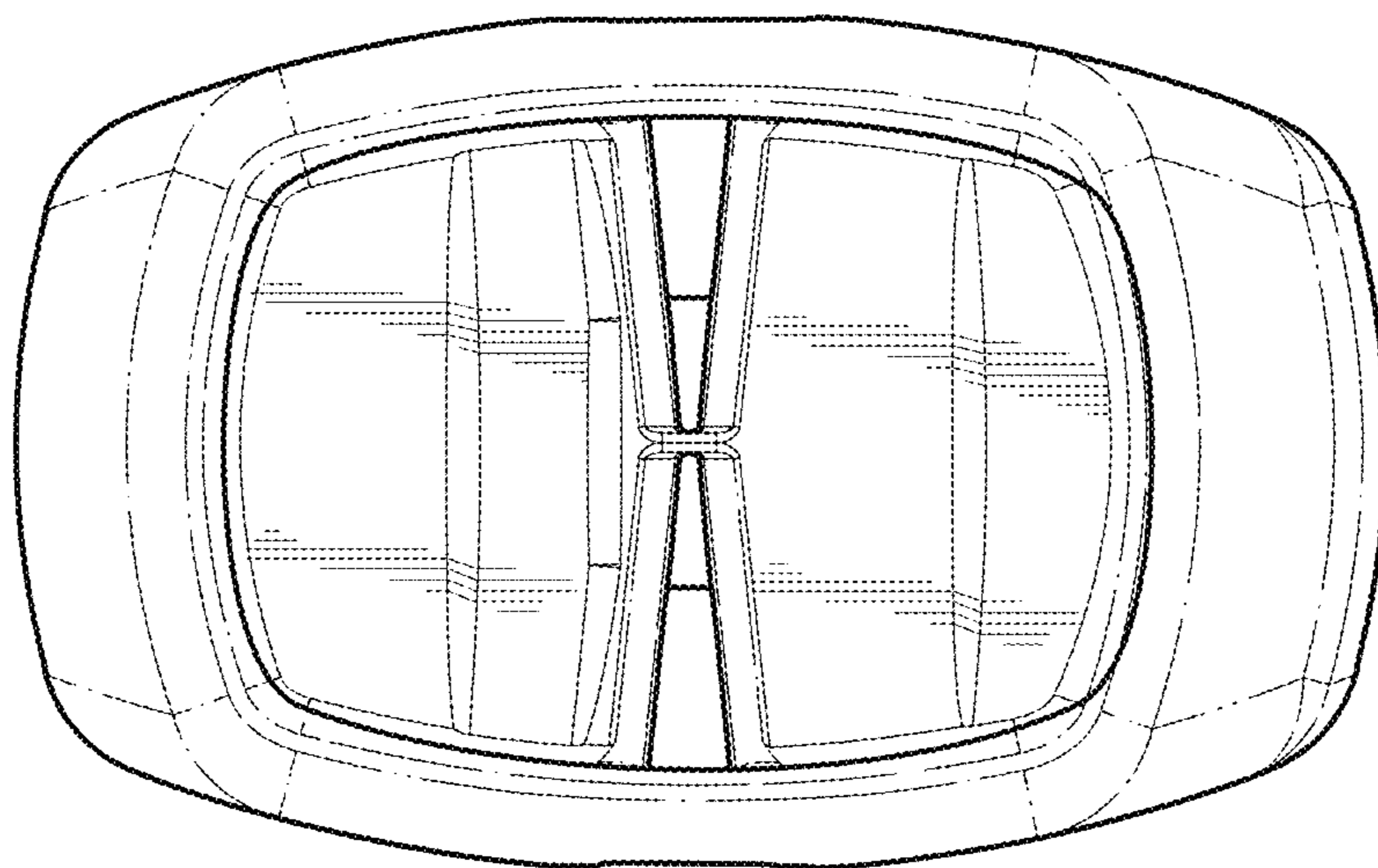
**FIG. 4**



**FIG. 5**



**FIG. 6**



**FIG. 7**