



US00D809400S

(12) **United States Design Patent** (10) **Patent No.:** **US D809,400 S**
Albertini (45) **Date of Patent:** **** Feb. 6, 2018**

(54) **PACKAGING FOR BEAUTY PRODUCTS**

(71) Applicant: **Christian Louboutin**, Paris (FR)
(72) Inventor: **Carole Albertini**, Levallois-Perret (FR)
(73) Assignee: **Christian Louboutin**, Paris (FR)
(**) Term: **15 Years**

(21) Appl. No.: **29/595,873**

(22) Filed: **Mar. 2, 2017**

Related U.S. Application Data

(62) Division of application No. 29/510,766, filed on Dec. 3, 2014.

(30) **Foreign Application Priority Data**

Jun. 3, 2014 (EM) 002475509-0001

(51) **LOC (11) Cl.** **09-01**

(52) **U.S. Cl.**
USPC **D9/657; D9/521; D9/558**

(58) **Field of Classification Search**
USPC D9/439, 449, 452, 454, 516, 521, 529,
D9/530, 539, 544, 552, 554, 558, 715,
D9/719; D28/76, 81, 82, 90
CPC B65D 1/0223; B65D 85/34; B65D 35/44;
B65D 3/06
See application file for complete search history.

(56) **References Cited**

U.S. PATENT DOCUMENTS

D63,610 S * 12/1923 Breeden D9/521
D101,901 S * 11/1936 Vuilleminot D9/529
D286,747 S * 11/1986 Kostanecki D9/447
D286,984 S * 12/1986 Durand D9/552
D309,566 S * 7/1990 Mileos D9/695
D312,392 S * 11/1990 Mileos D9/697
D319,010 S * 8/1991 Kotyuk D9/521

D324,174 S * 2/1992 Litton D9/435
D353,773 S * 12/1994 Desgrippes D9/451
D372,869 S * 8/1996 Mahlmann D9/504
D387,989 S * 12/1997 Chahed D9/516
D395,239 S * 6/1998 Davis D9/521
D404,647 S * 1/1999 Federighi D9/439
D418,062 S * 12/1999 de Baschmakoff D9/520
D485,167 S * 1/2004 Chan D1/116
D522,375 S * 6/2006 Archeny D9/521
D666,459 S * 9/2012 Kolano D7/628
D708,063 S * 7/2014 Jones D9/503

(Continued)

Primary Examiner — Ian Simmons

Assistant Examiner — Keith Frank

(74) *Attorney, Agent, or Firm* — Fross Zelnick Lehman & Zissu P.C.; Charles T.J. Weigell, Esq.

(57) **CLAIM**

The ornamental design for packaging for beauty products, as shown and described.

DESCRIPTION

FIG. 1 is a front perspective view of the cap portion of the packaging for beauty products shown removed from the body portion;

FIG. 2 is a front elevation view thereof, with the rear view being the same;

FIG. 3 is a right side elevation view thereof, with the left side elevation being the same;

FIG. 4 is a top plan view thereof;

FIG. 5 is a bottom plan view thereof;

FIG. 6 is a front perspective the packaging for beauty products showing our new design;

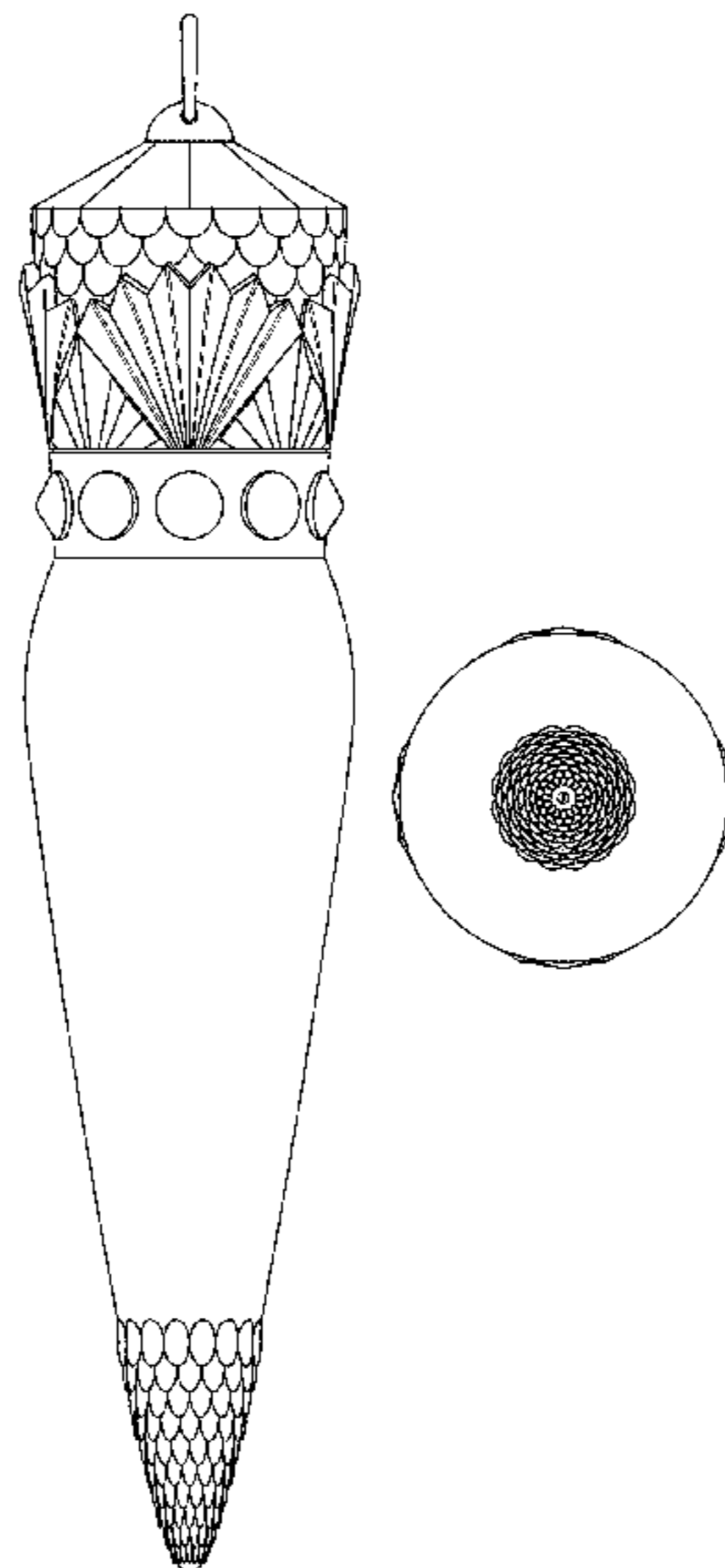
FIG. 7 is a front elevation view thereof, with the rear elevation being the same;

FIG. 8 is a right side elevation view thereof, with the left side elevation being the same;

FIG. 9 is a top plan view thereof; and,

FIG. 10 is a bottom plan view thereof.

1 Claim, 8 Drawing Sheets



(56)

References Cited

U.S. PATENT DOCUMENTS

| | | | |
|--------------|--------|-------------------|--------|
| D736,624 S * | 8/2015 | Berlepsch | D9/451 |
| D746,681 S * | 1/2016 | Jasso Gomez | D9/451 |
| D749,420 S * | 2/2016 | Kahlau | D9/420 |
| D754,541 S * | 4/2016 | Jasso Gomez | D9/451 |

* cited by examiner

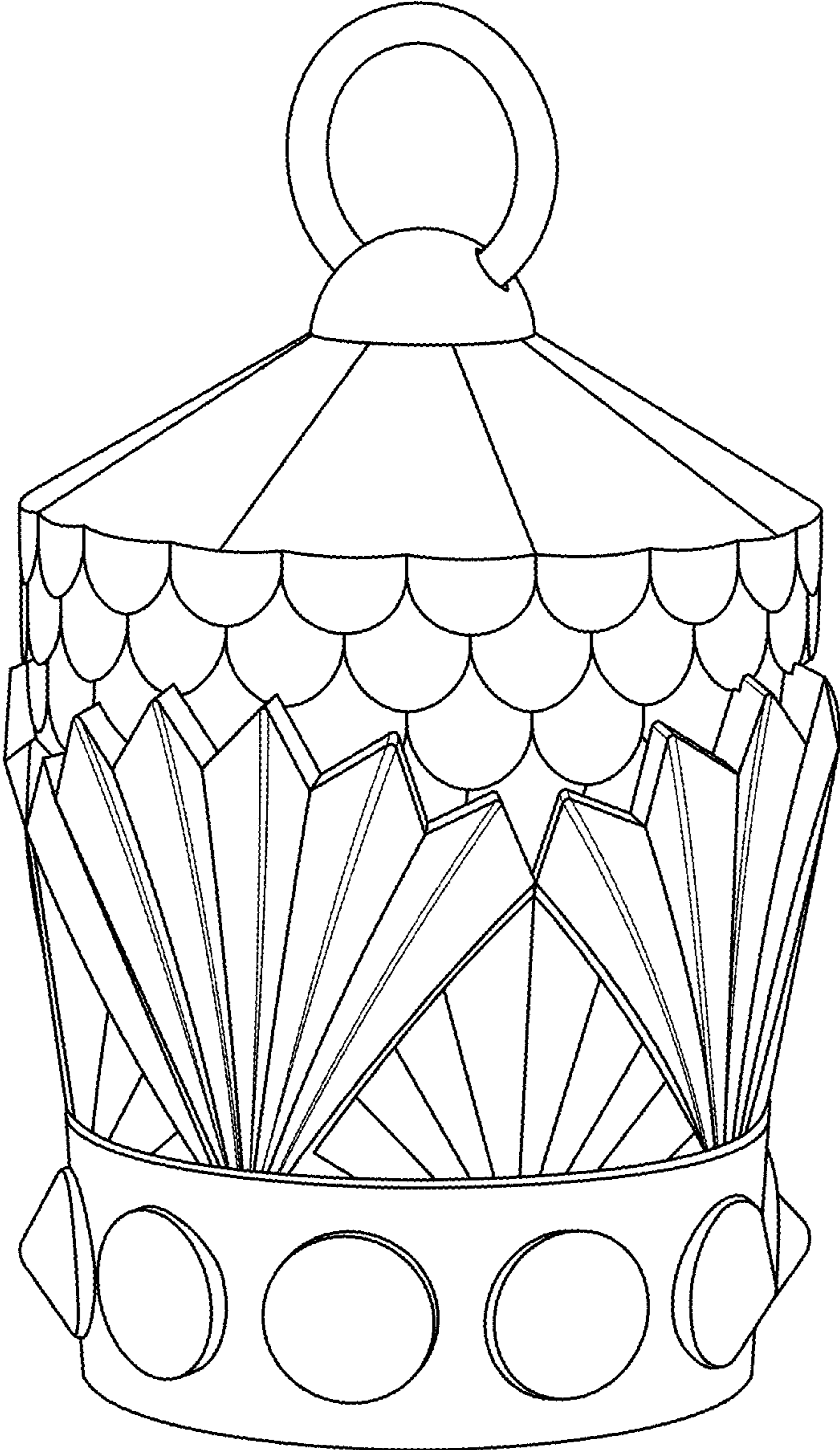


FIG. 1

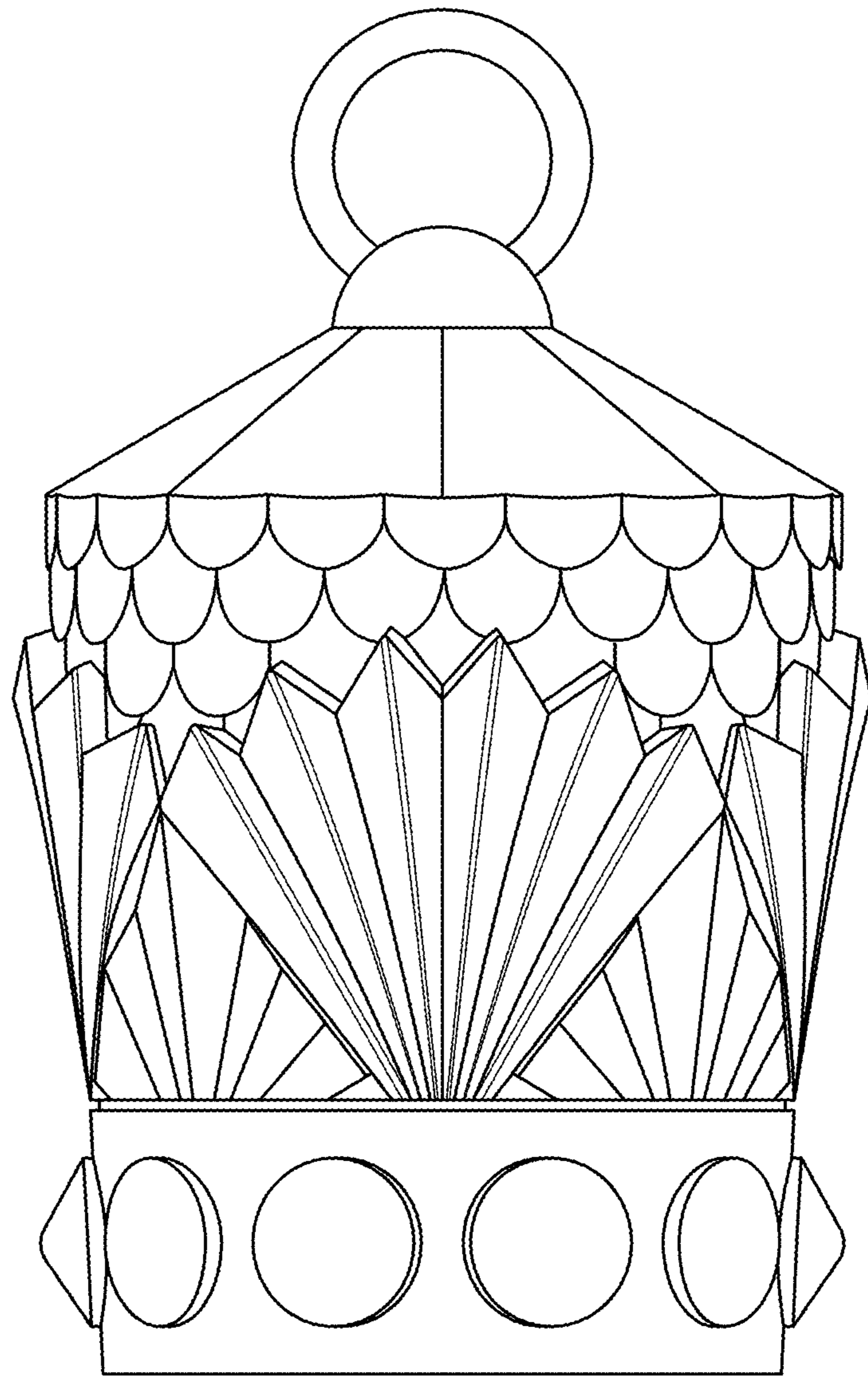


FIG. 2

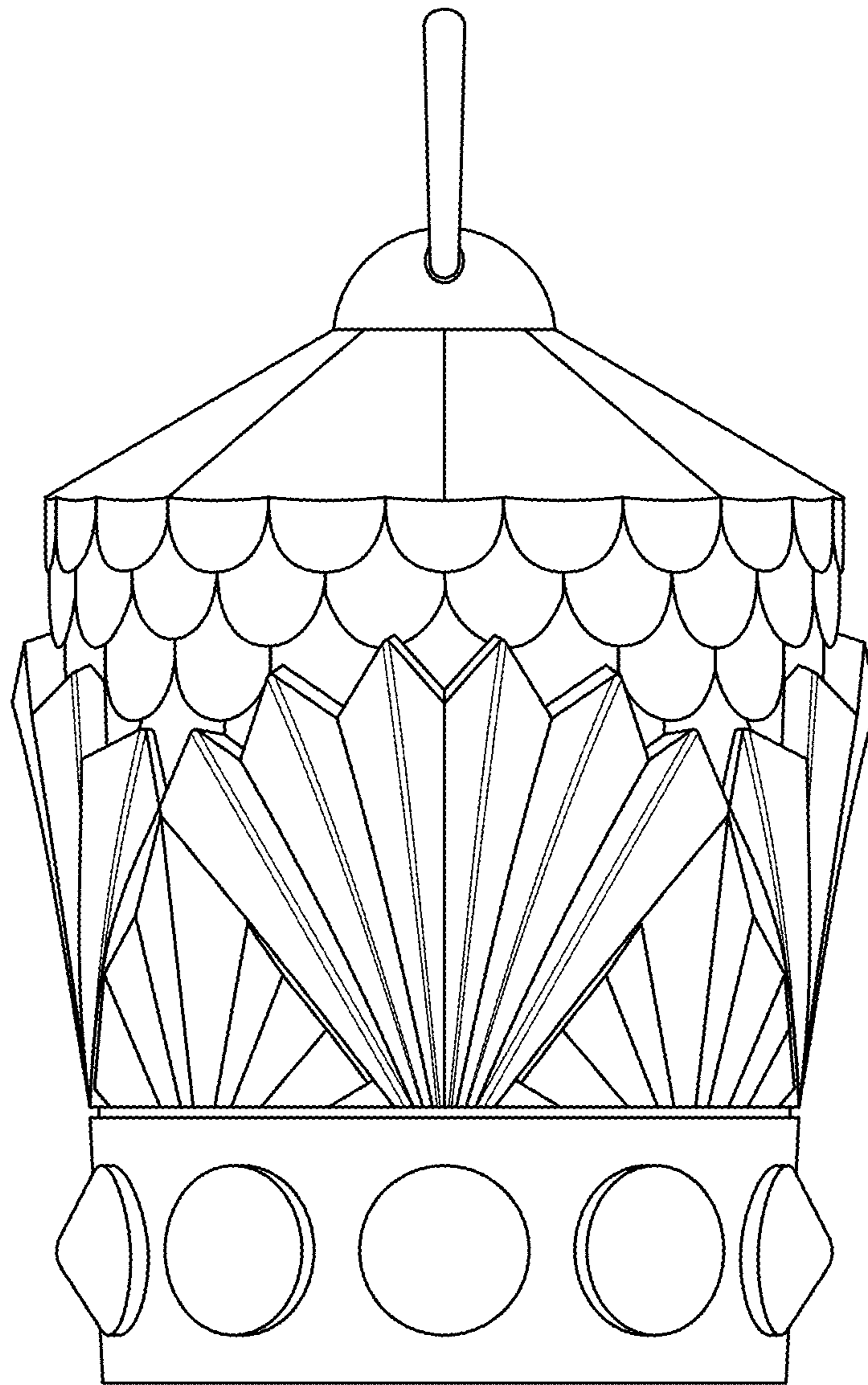


FIG. 3

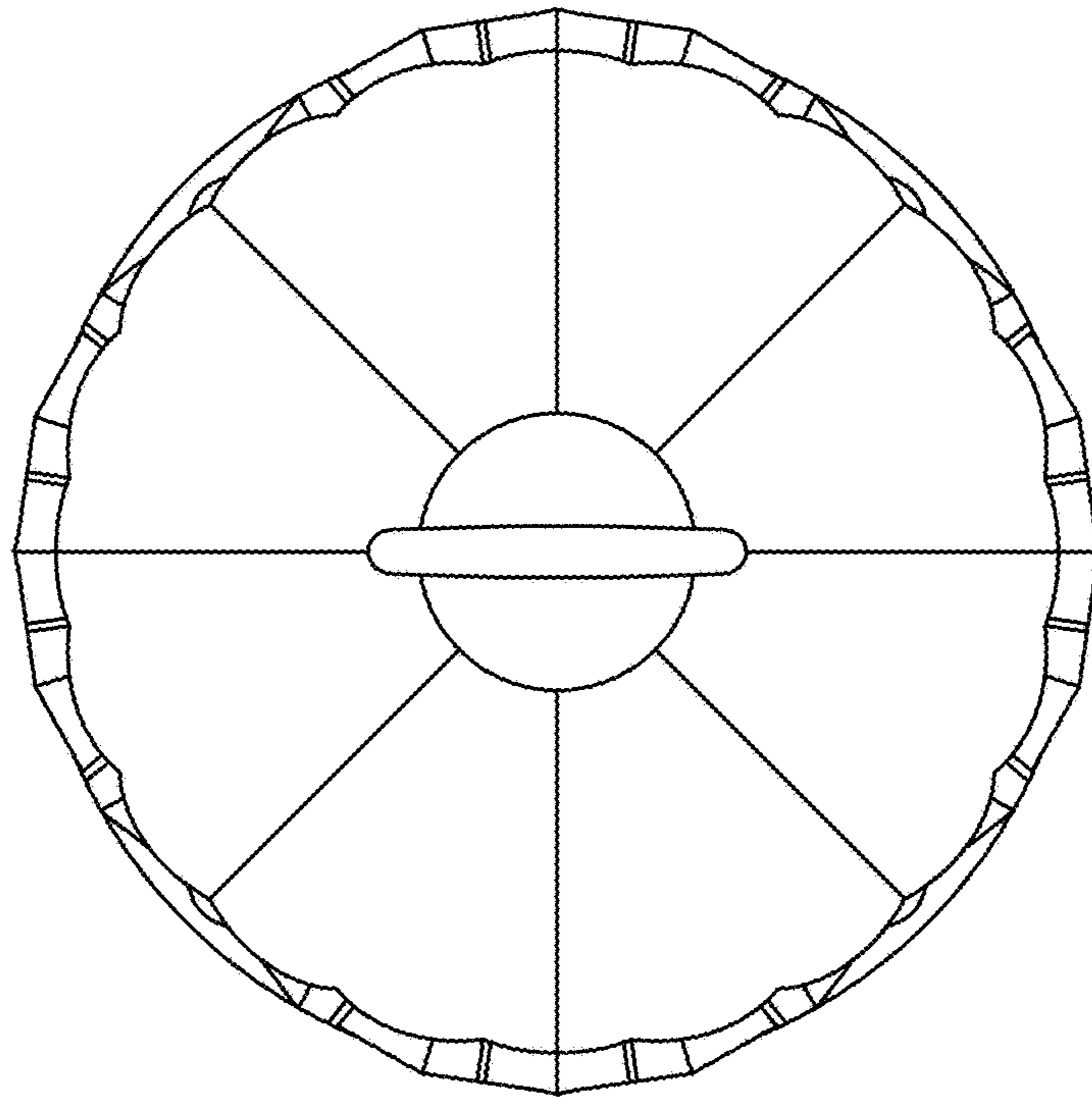


FIG. 4

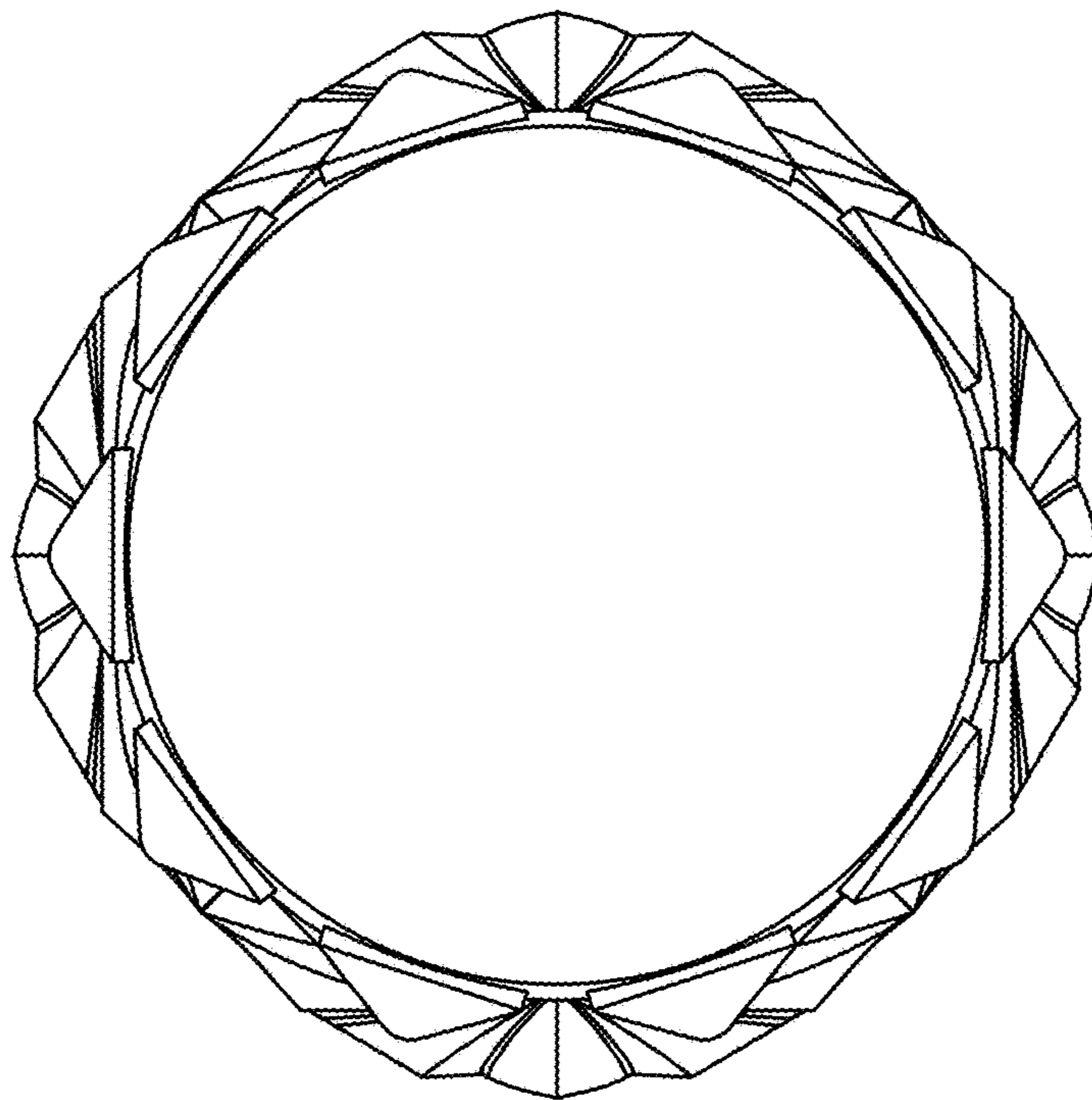


FIG. 5

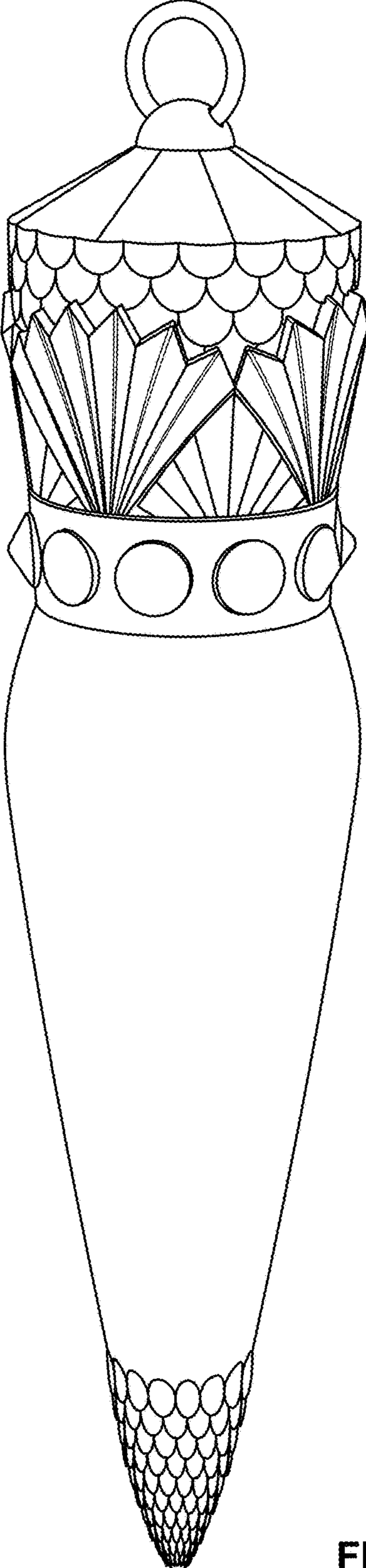


FIG. 6

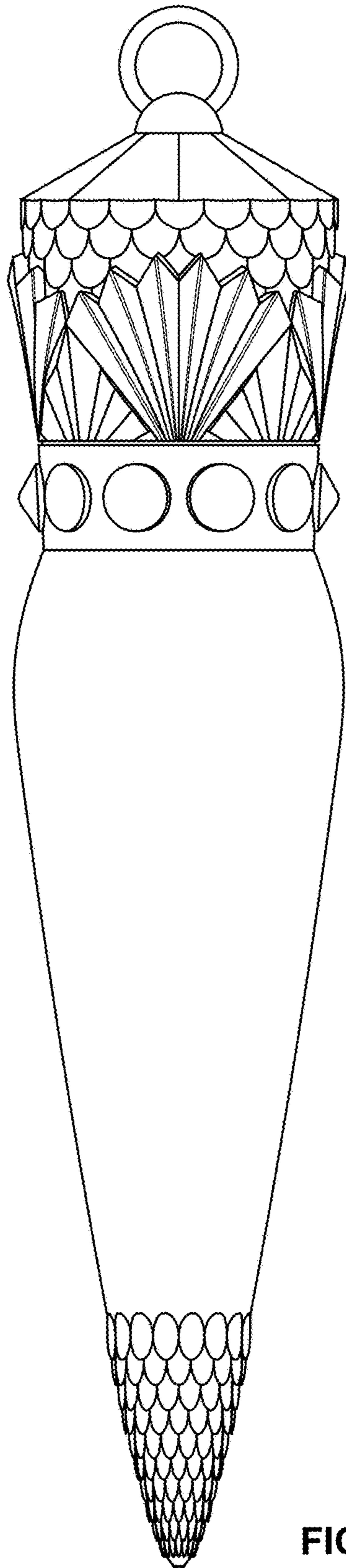


FIG. 7

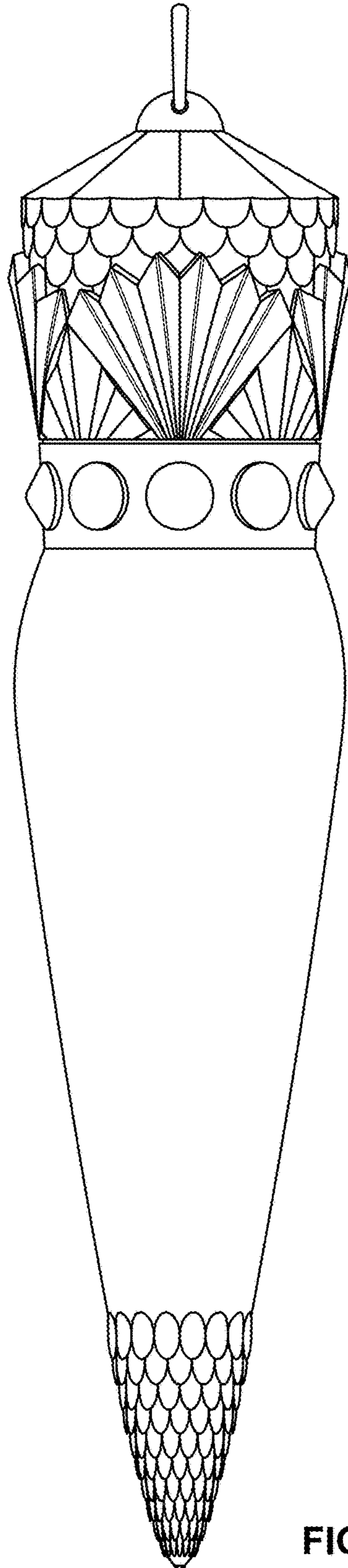


FIG. 8

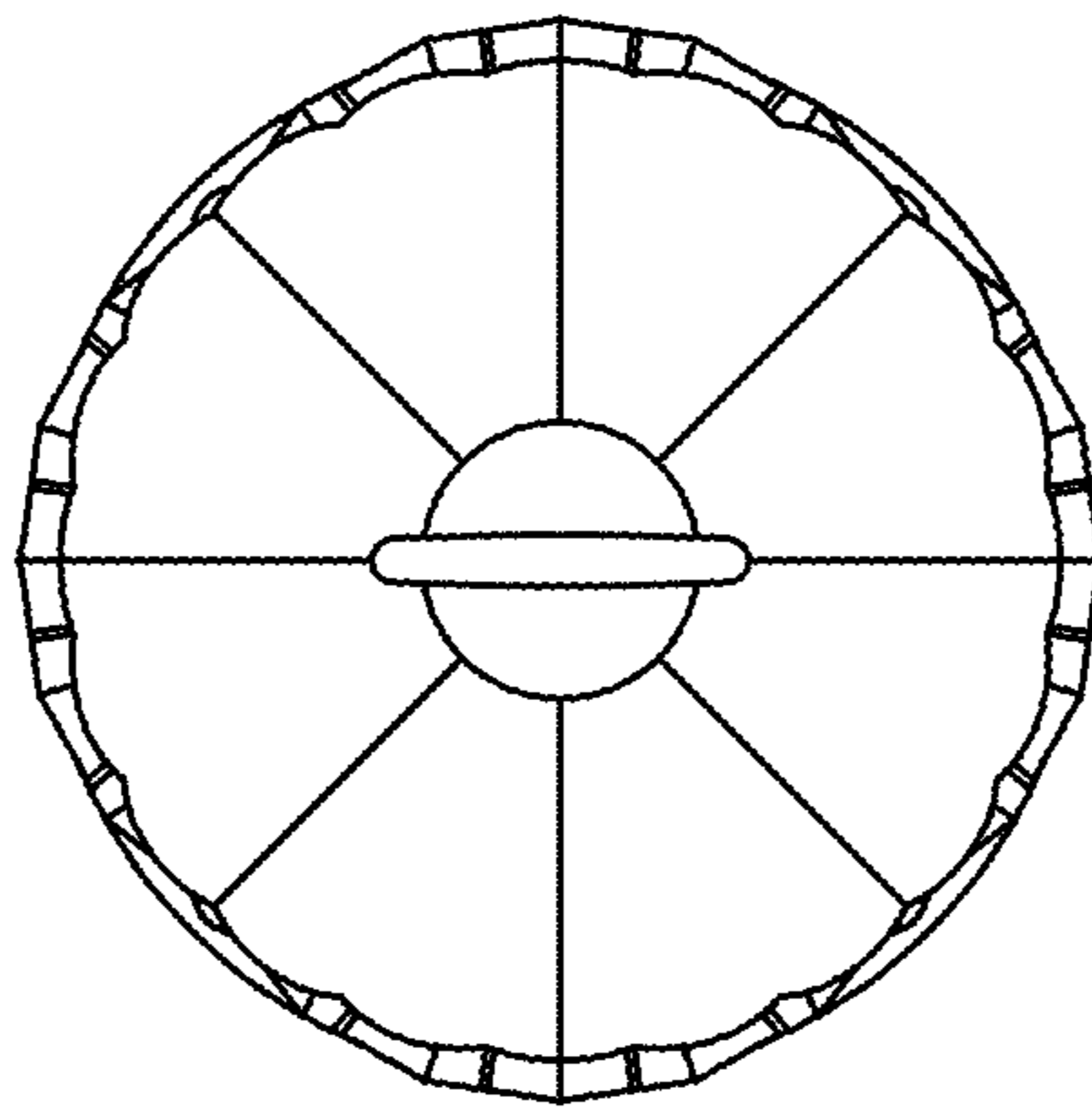


FIG. 9

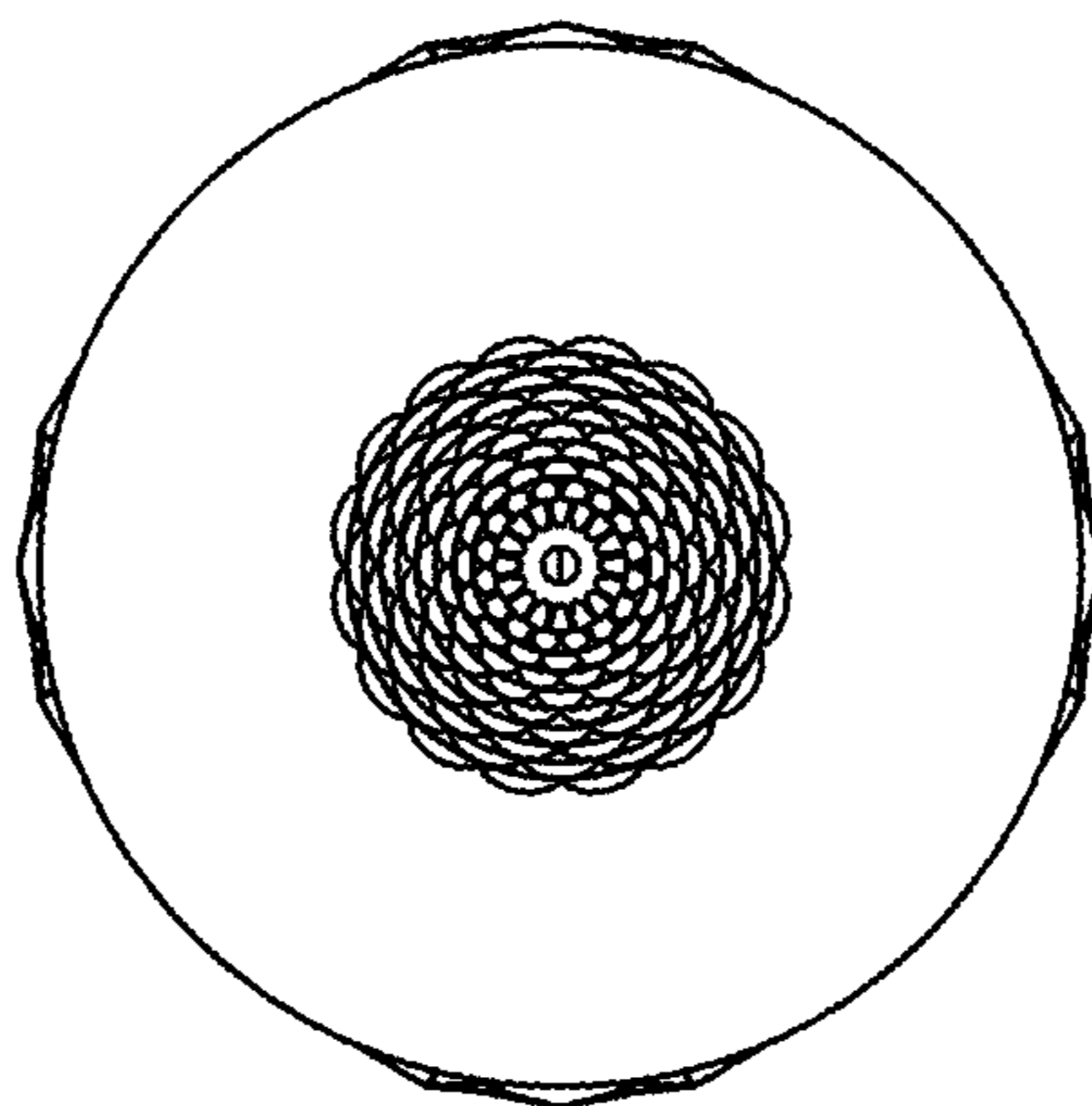


FIG. 10

UNITED STATES PATENT AND TRADEMARK OFFICE
CERTIFICATE OF CORRECTION

PATENT NO. : D809,400 S
APPLICATION NO. : 29/595873
DATED : February 6, 2018
INVENTOR(S) : Carole Albertini

Page 1 of 1

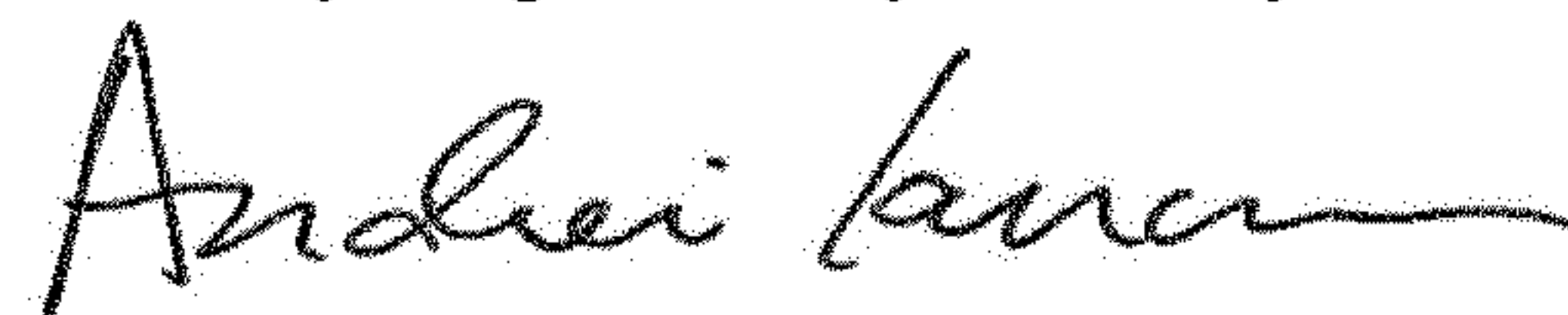
It is certified that error appears in the above-identified patent and that said Letters Patent is hereby corrected as shown below:

On the Title Page

(30) Foreign Application Priority Data should read:

(30) Foreign Application Priority Data
June 3, 2014 (EM)002475509

Signed and Sealed this
Twenty-eighth Day of May, 2019



Andrei Iancu
Director of the United States Patent and Trademark Office