



US00D809389S

(12) **United States Design Patent**
Royer

(10) **Patent No.:** **US D809,389 S**

(45) **Date of Patent:** **** Feb. 6, 2018**

(54) **BOTTLE CAP**

(71) Applicant: **R. Douglas Royer**, Overland Park, KS
(US)

(72) Inventor: **R. Douglas Royer**, Overland Park, KS
(US)

(**) Term: **15 Years**

(21) Appl. No.: **29/569,980**

(22) Filed: **Jul. 1, 2016**

(51) **LOC (11) Cl.** **09-07**

(52) **U.S. Cl.**

USPC **D9/454**; D9/447

(58) **Field of Classification Search**

USPC D3/202, 203.1, 203.2, 273, 275, 294,
D3/318; D7/216, 300, 300.1, 317, 387,
D7/391, 392.1, 393, 396.2, 509, 510, 511,
D7/523, 525-531, 538, 541, 549, 629,
D7/703, 900; D8/349, 350, 352; D34/1,
D34/7, 10, 11, 39; D28/7, 76, 78, 82, 85,
D28/91; D19/115, 162, 163, 165, 192,
D19/194; D24/112, 121, 127, 130, 194,
D24/195, 196, 199, 224; D26/36, 123,
D26/124; D23/259, 260; D9/434, 435,
D9/438, 447, 451, 454, 516, 723

CPC B65D 50/041; B65D 23/00; B65D 1/00;
B65D 1/0009; B65D 83/06; B65D 41/04;
B65D 41/56; B65D 43/02; B65D 47/08;
A47G 18/22; A47G 18/23; A47G 19/22;
A47G 19/2205; A47G 19/2211; A47G
19/2216; A47G 19/2272; A47G 19/2288;
A45F 3/16; A47J 43/27

See application file for complete search history.

(56) **References Cited**

U.S. PATENT DOCUMENTS

D279,759 S * 7/1985 Cesaroni D7/391
D300,462 S * 3/1989 English D24/194

4,979,648 A * 12/1990 Montgomery B65D 50/045
215/201

5,429,282 A * 7/1995 Stebick B65D 47/243
222/520

D390,462 S * 2/1998 Mao D9/435
D408,283 S * 4/1999 Tucker D9/435

(Continued)

FOREIGN PATENT DOCUMENTS

CA 104944 * 6/2005
MX 031737 * 10/2010
PL 18490-0001 * 9/2012

OTHER PUBLICATIONS

Ditsy Blossom Honey Pot with Drizzler: Site Visited Jul. 22, 2017.
Available from Internet URL: <http://www.lakeland.co.uk/52956/Ditsy-Blossom-Honey-Pot-with-Drizzler>.*

Primary Examiner — Thomas Johannes

Assistant Examiner — Catherine S Posthauer

(74) *Attorney, Agent, or Firm* — Intellectual Property
Center; Arthur K. Shaffer

(57) **CLAIM**

The ornamental design for a bottle cap, as shown and
described herein.

DESCRIPTION

FIG. 1 is a side, top perspective view of the bottle cap in
accordance with the new design;

FIG. 2 is a top plan view of the bottle cap in accordance with
FIG. 1.

FIG. 3 is a bottom plan view of the bottle cap of FIG. 1;

FIG. 4 is a front elevation of the bottle cap of FIG. 1;

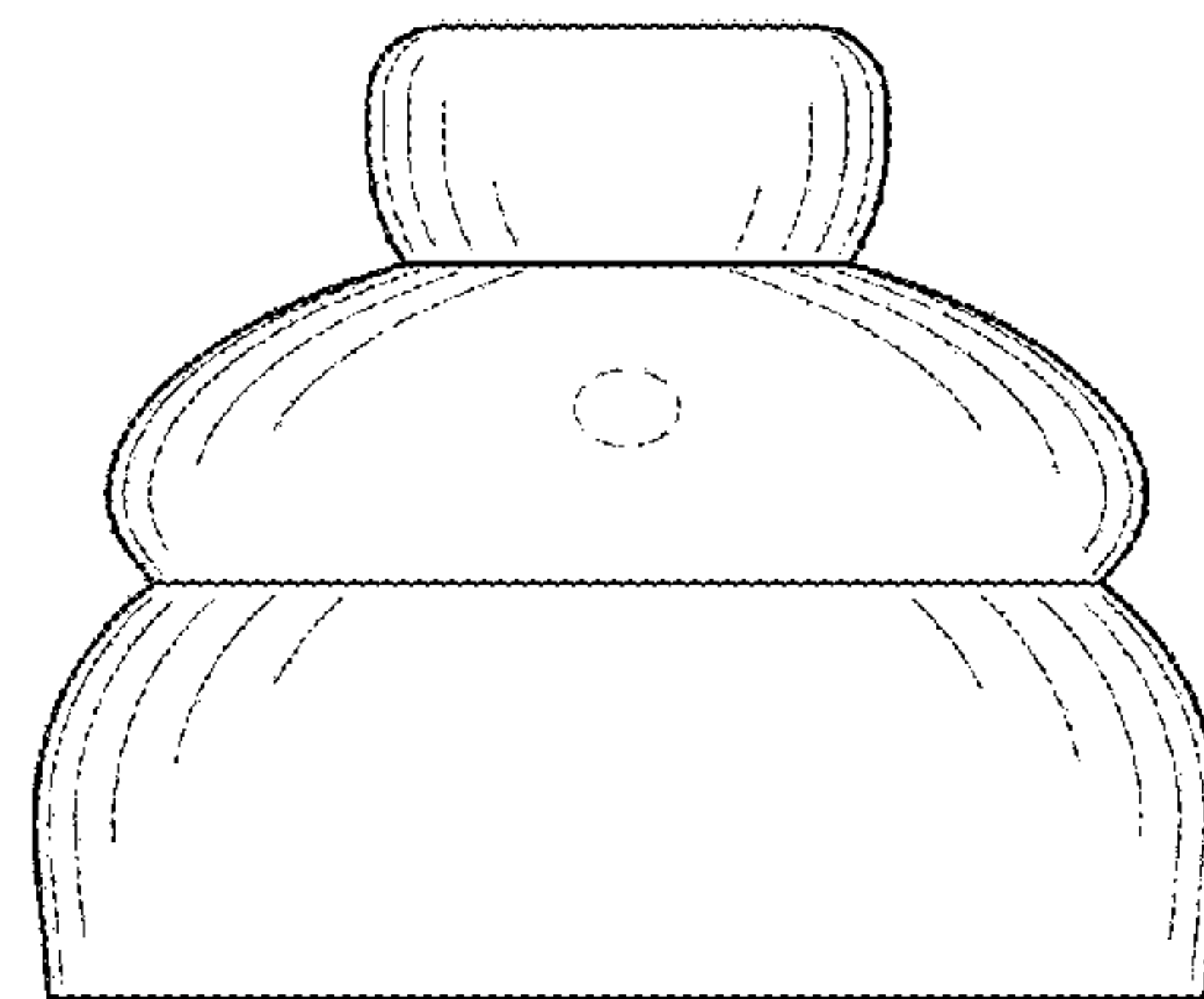
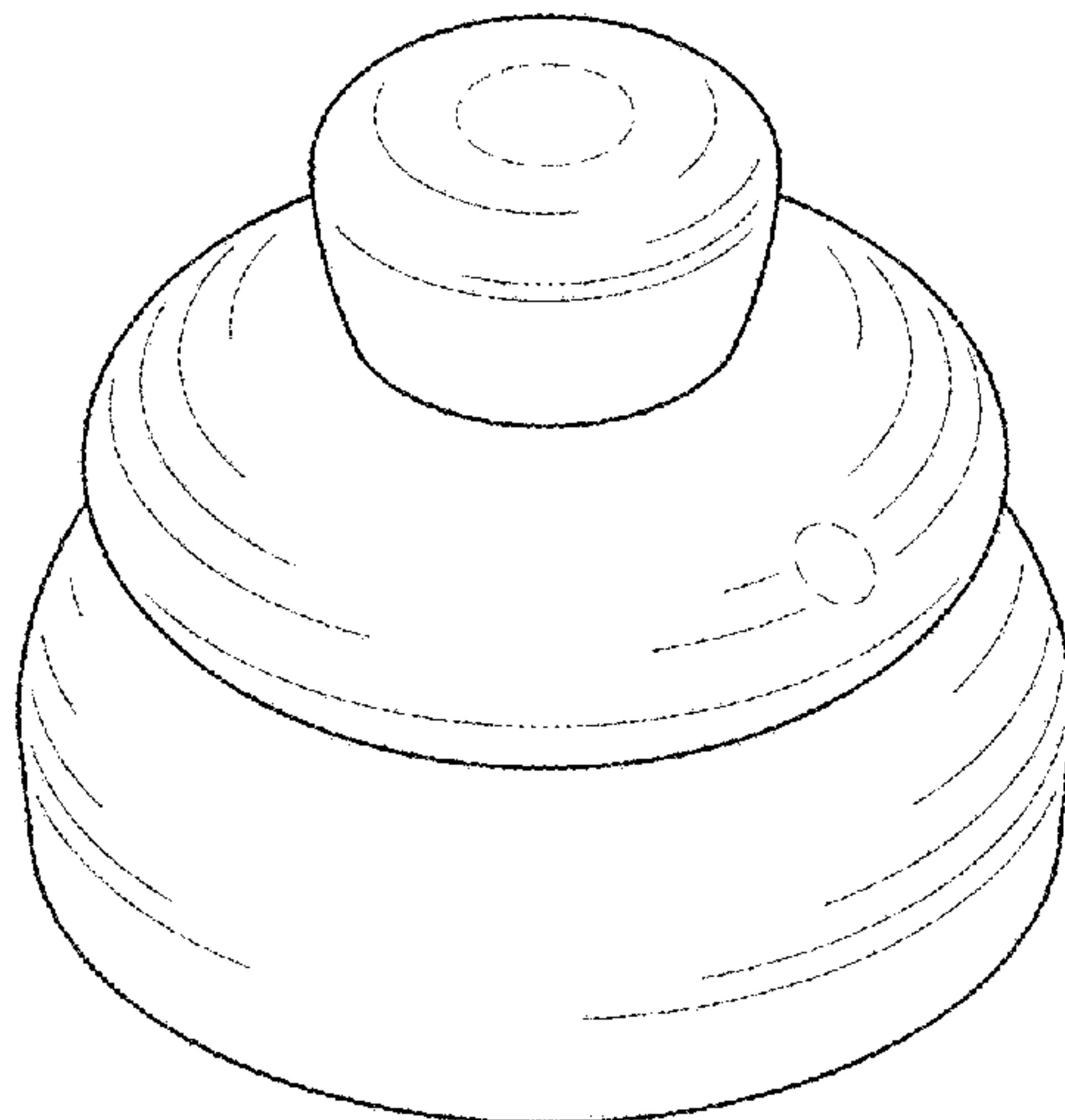
FIG. 5 is a rear elevation of the bottle cap of FIG. 1;

FIG. 6 is the right side elevation of the bottle cap of FIG. 1;
and,

FIG. 7 is the left side elevation of the bottle cap of FIG. 1.

The broken lines are shown for the purpose of illustrating
parts of the bottle cap that form no part of the claim.

1 Claim, 4 Drawing Sheets



(56)

References Cited

U.S. PATENT DOCUMENTS

D567,659	S *	4/2008	Gran	D9/454
D598,755	S *	8/2009	Bull	D9/454
D655,000	S *	2/2012	Mirigian	D24/130
D656,820	S *	4/2012	Willows	D9/447
D672,241	S *	12/2012	Sawicki	D9/449
D679,998	S *	4/2013	Kim	D9/447
D681,216	S *	4/2013	Smith	D24/196
D690,432	S *	9/2013	Sharpe	D24/220
D719,827	S *	12/2014	Duran	D9/447
D720,077	S *	12/2014	Sakulsacha	D24/194
D723,917	S *	3/2015	Koffel	D9/447
D752,234	S *	3/2016	Moore	D24/194
D752,434	S *	3/2016	Willows	D9/447
D752,435	S *	3/2016	Willows	D9/447
D760,587	S *	7/2016	Jelich	D9/449
D762,473	S *	8/2016	Willows	D9/447
D784,084	S *	4/2017	Bartlett	D7/511
D784,525	S *	4/2017	Nguyen	D24/127
2012/0168441	A1 *	7/2012	Lane	B65D 47/242
					220/212
2014/0291360	A1 *	10/2014	Bracha	B65D 47/122
					222/568

* cited by examiner

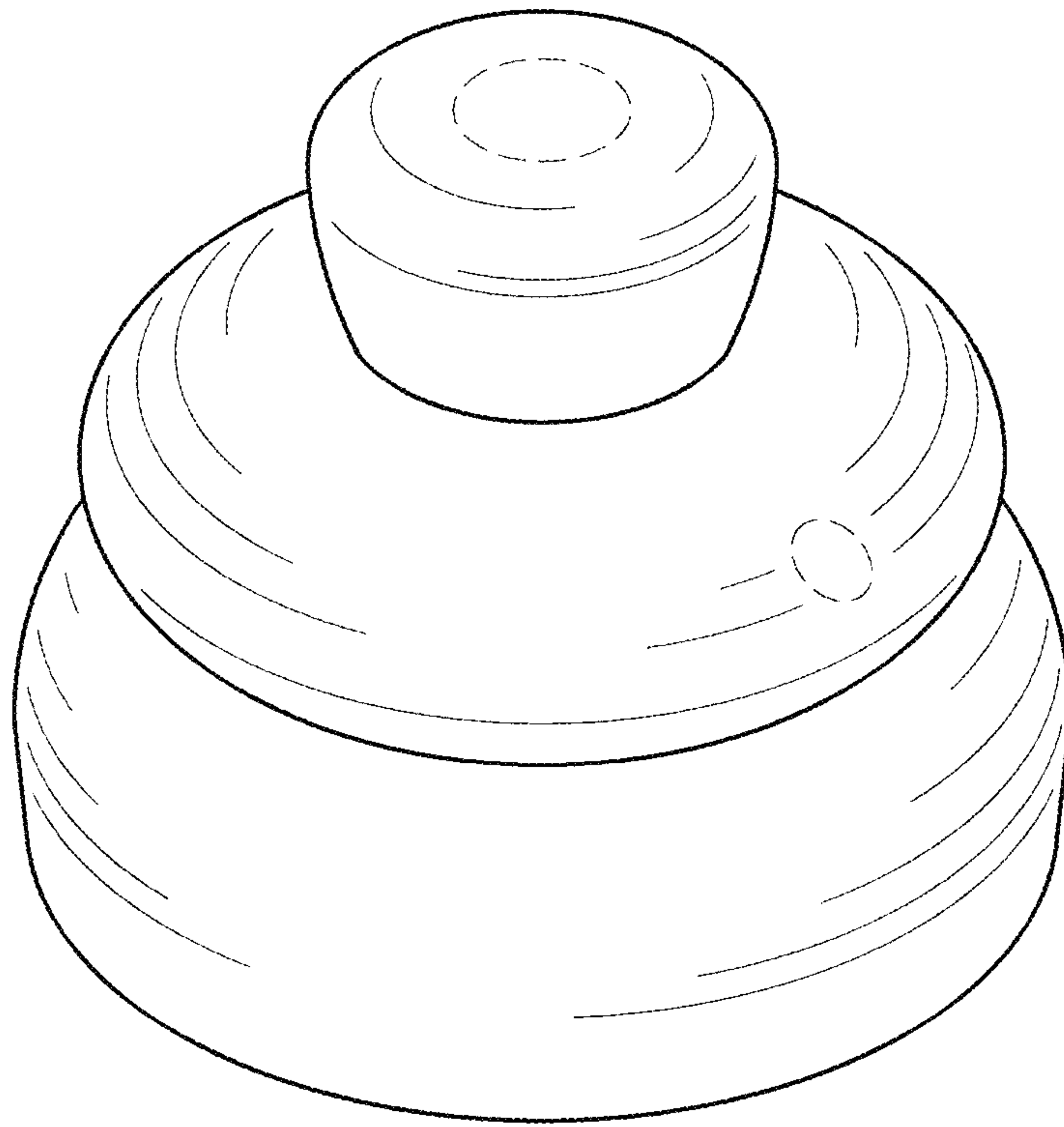


Fig. 1

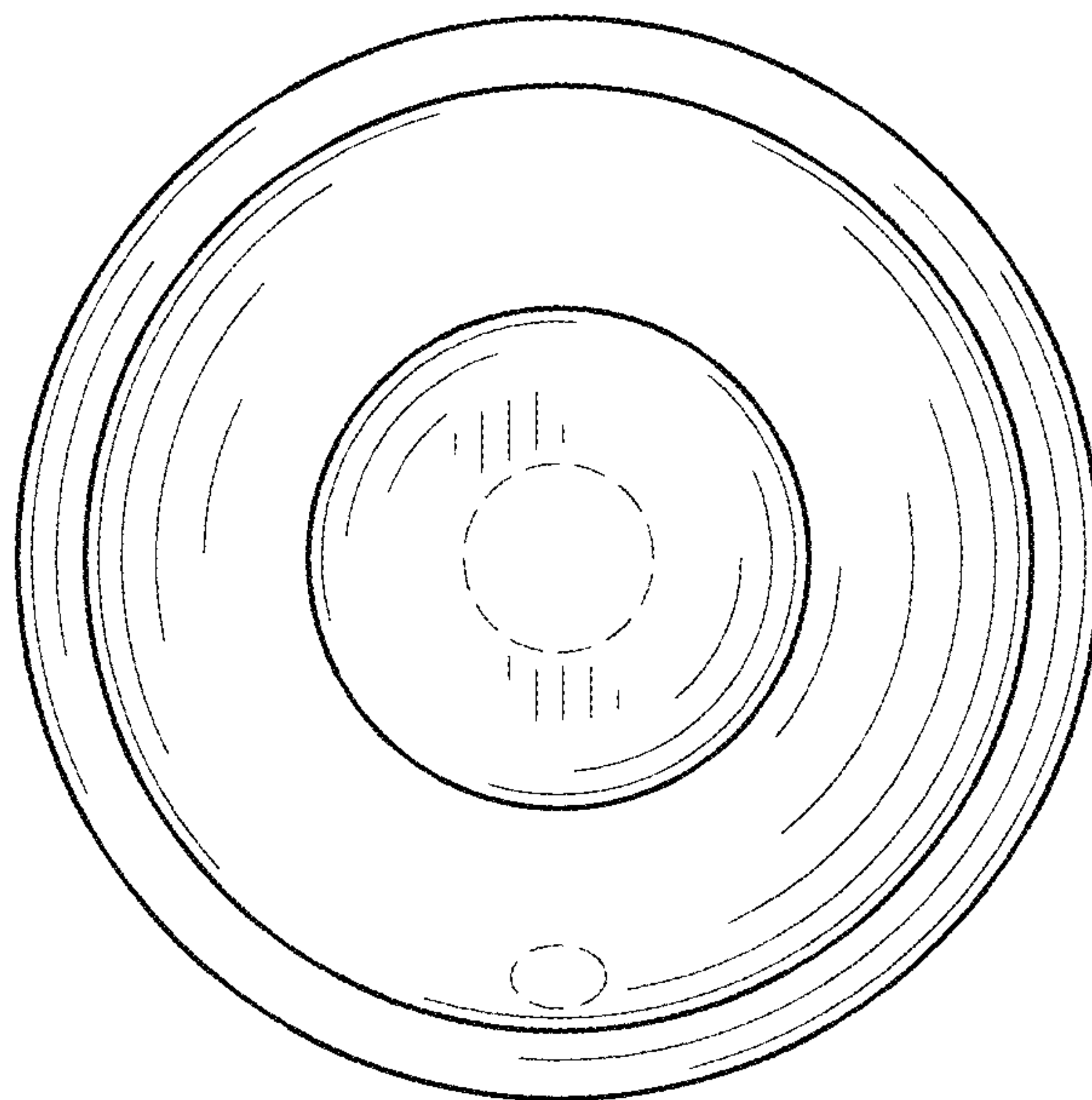


Fig. 2

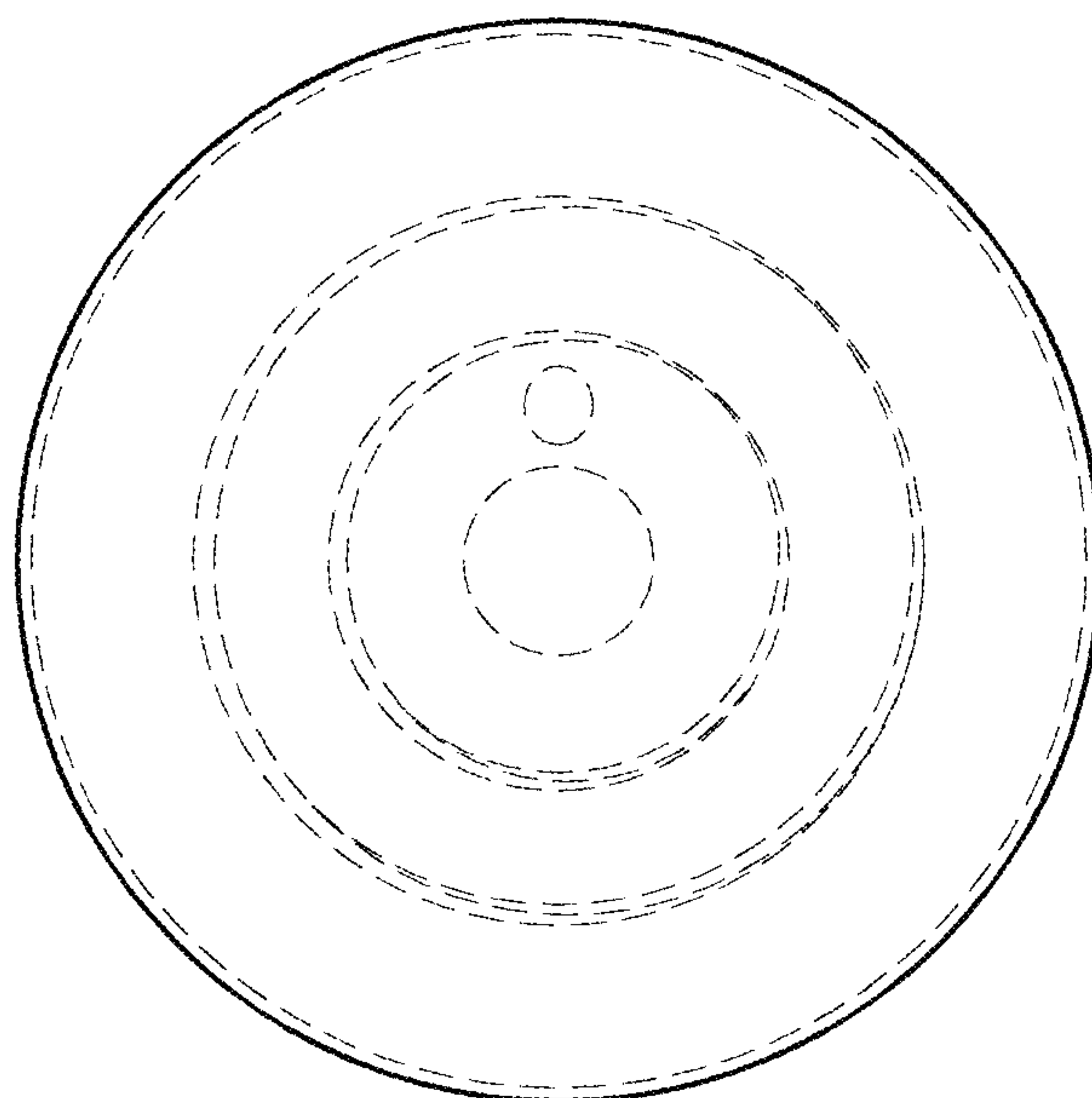


Fig. 3

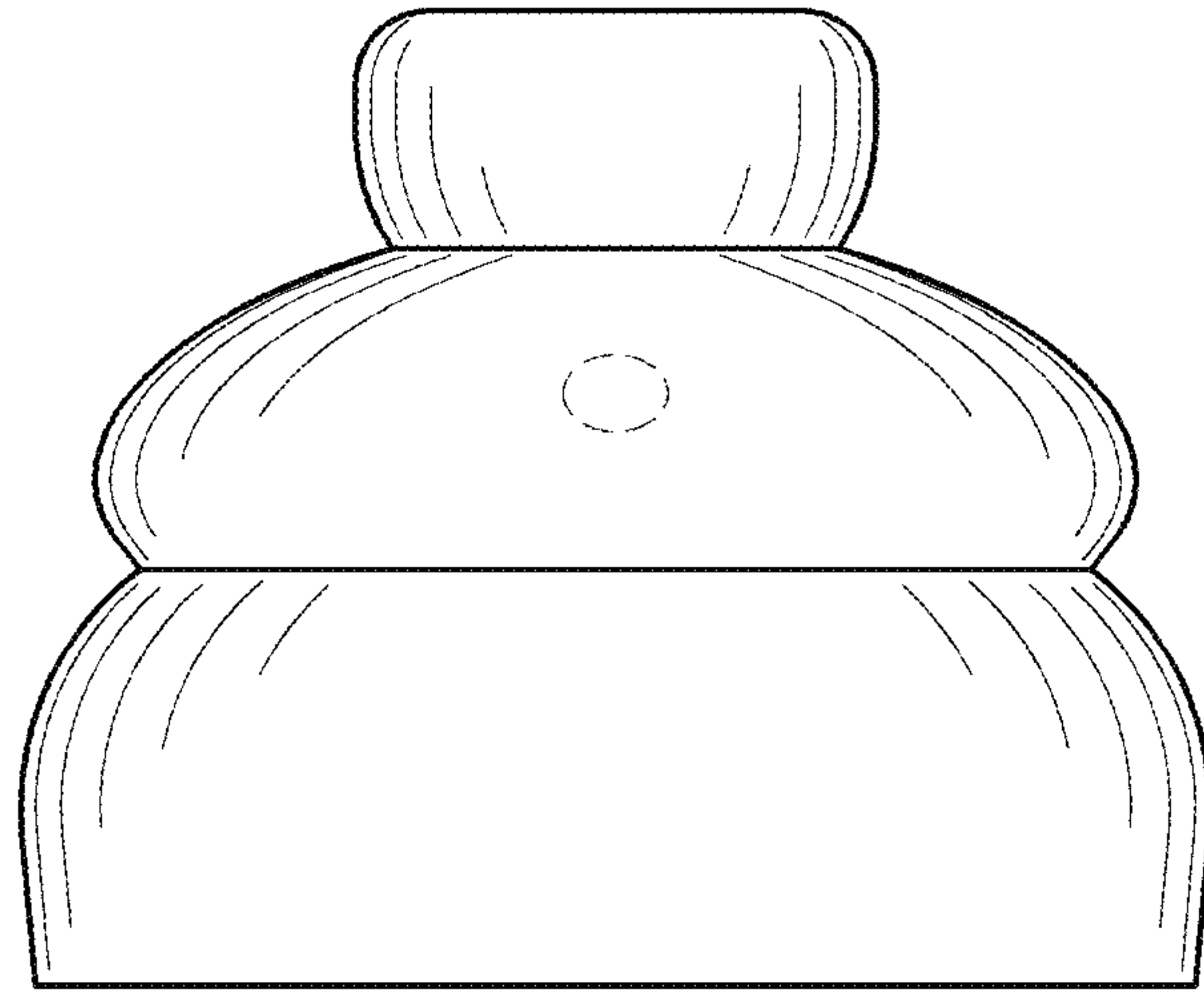


Fig. 4

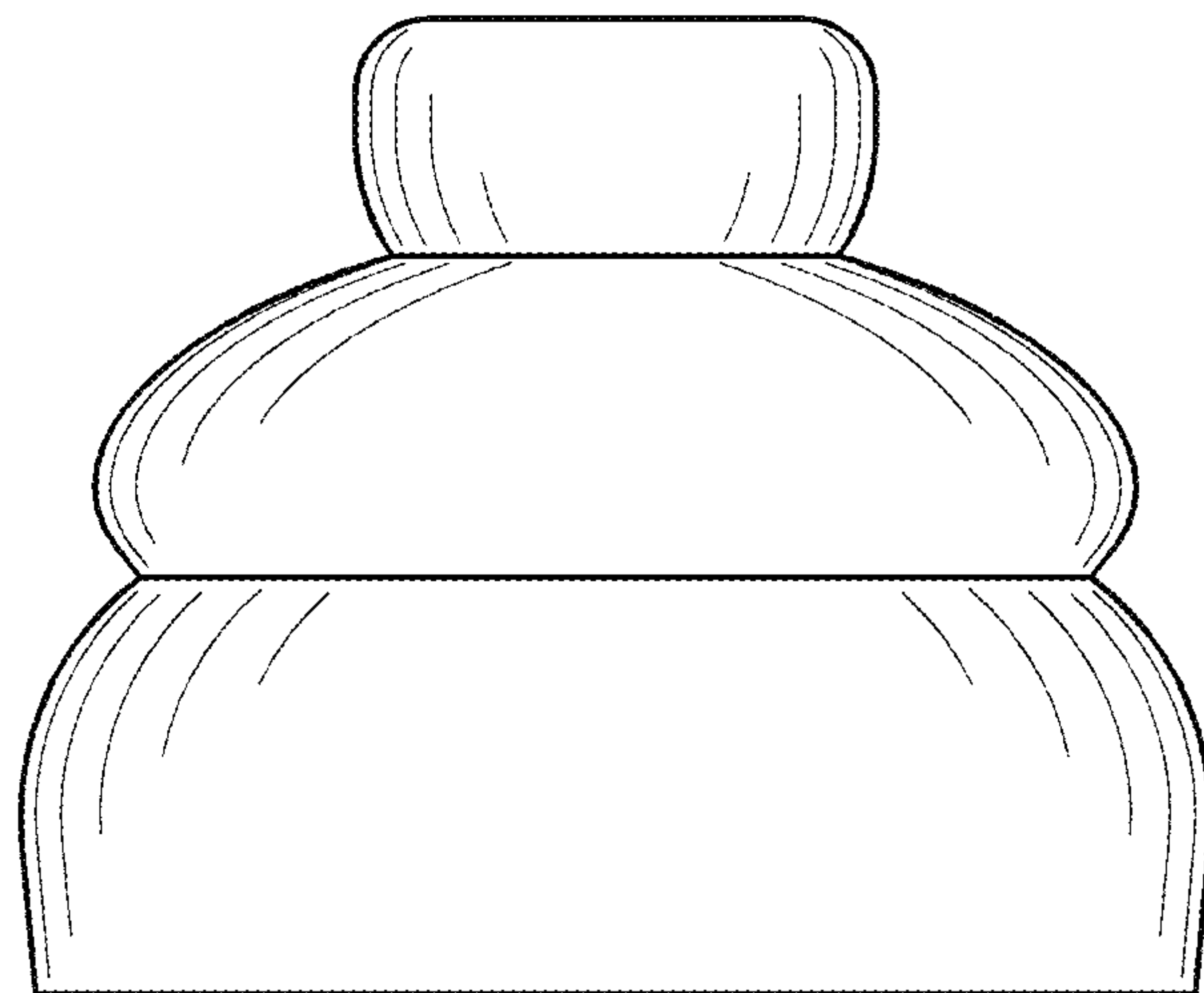


Fig. 5

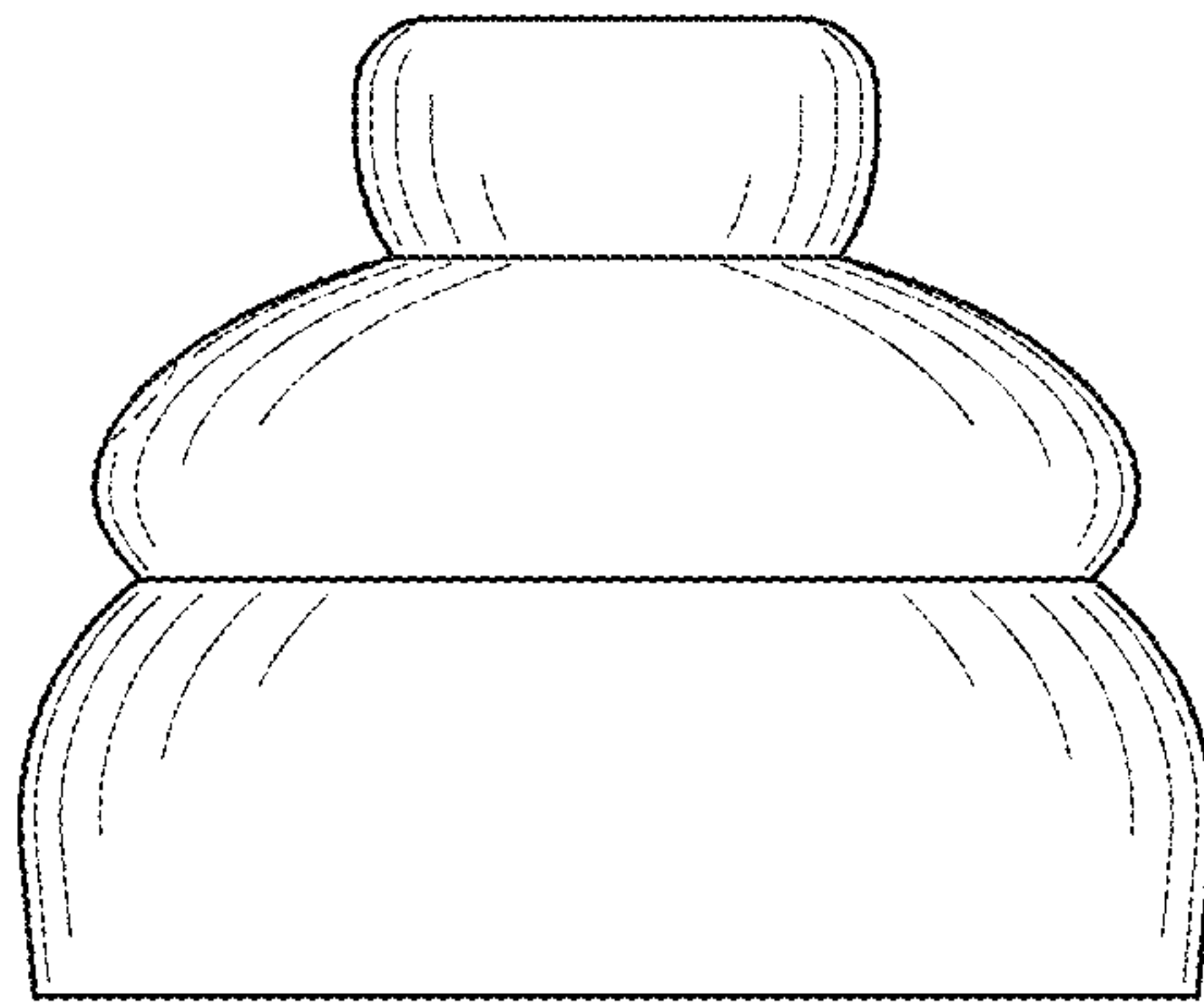


Fig. 6

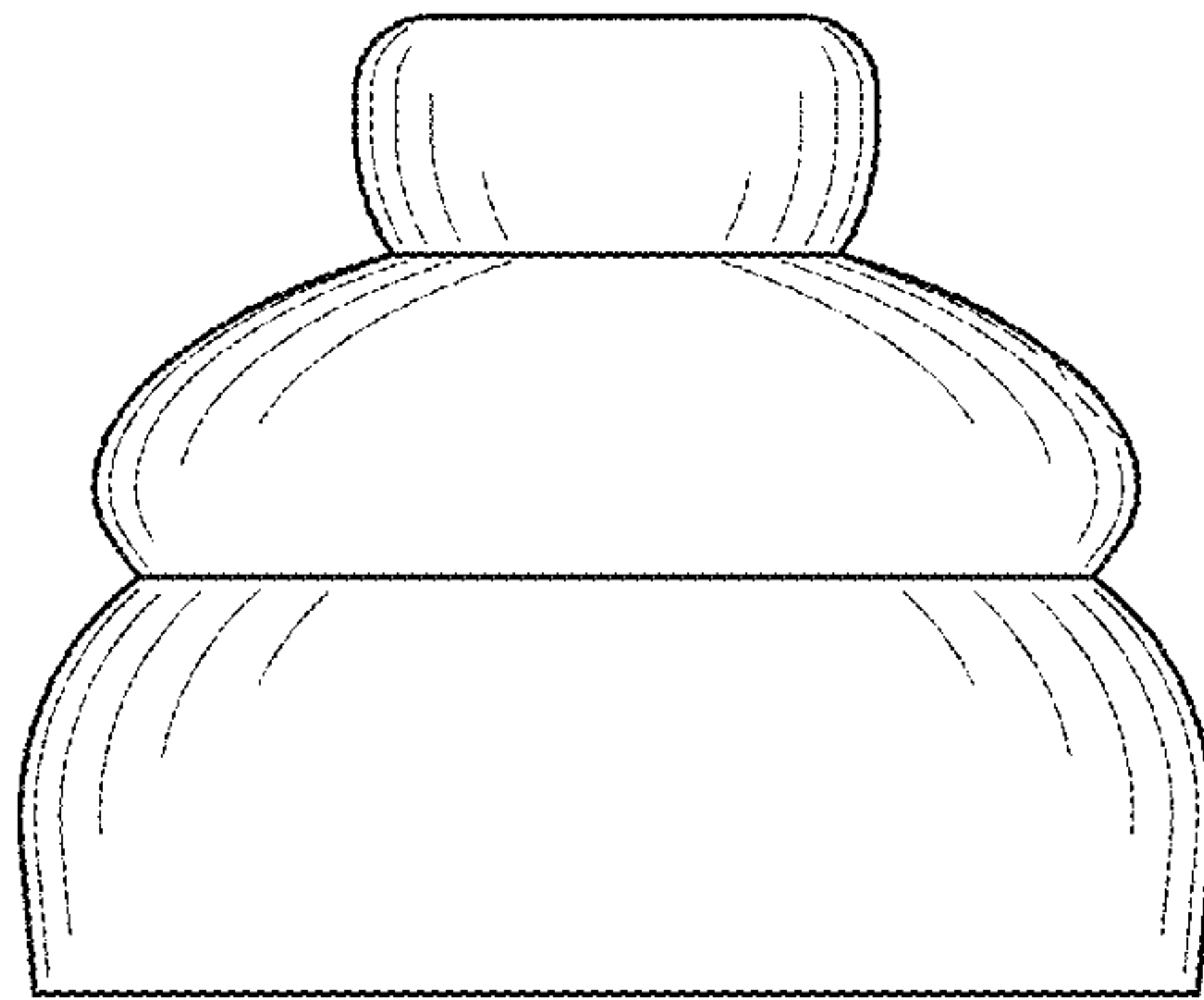


Fig. 7