



US00D809386S

(12) **United States Design Patent** (10) **Patent No.:** **US D809,386 S**
Roy (45) **Date of Patent:** **** Feb. 6, 2018**

(54) **CAP WITH BOTTLE**

(71) Applicant: **Reckitt Benckiser (Brands) Limited**,
Slough, Berkshire (GB)

(72) Inventor: **Sukanta Roy**, Haryana (IN)

(73) Assignee: **RECKITT BENCKISER (BRANDS) LIMITED**, Slough, Berkshire (GB)

(**) Term: **14 Years**

(21) Appl. No.: **29/512,827**

(22) Filed: **Dec. 23, 2014**

(30) **Foreign Application Priority Data**

Jul. 3, 2014 (EM) 002495135

(51) **LOC (11) Cl.** **09-07**

(52) **U.S. Cl.**
USPC **D9/447; D9/453**

(58) **Field of Classification Search**
USPC D3/202, 203.1, 203.2, 273, 275, 294,
D3/318; D7/216, 300, 300.1, 317, 387,
D7/391, 392.1, 393, 396.2, 509, 510, 511,
D7/523, 525-531, 538, 541, 549, 629,
D7/703, 900; D8/349, 350, 352;
D9/416, 434, 435, 436, 437, 438, 446,
D9/447, 454, 516, 518, 523, 723, 724,
(Continued)

(56) **References Cited**

U.S. PATENT DOCUMENTS

D162,894 S * 4/1951 Soffer D9/443
D167,725 S * 9/1952 Soffer D9/443
(Continued)

FOREIGN PATENT DOCUMENTS

JP D1531134 * 8/2015
KR 300834150.0000 * 1/2016
KR 300837275.0000 * 2/2016

OTHER PUBLICATIONS

Plastic Lid For Toilet Cleaner Products: Announced Jun. 12, 2015
[online], site visited [Mar. 29, 2016]. Available from Internet
URL: http://jy-plastic-cap.en.made-in-china.com/product/YBkxretyXicX/China-Blue-Plastic-Lid.*

(Continued)

Primary Examiner — Thomas Johannes

Assistant Examiner — Catherine S Posthauer

(74) *Attorney, Agent, or Firm* — Norris McLaughlin & Marcus PA

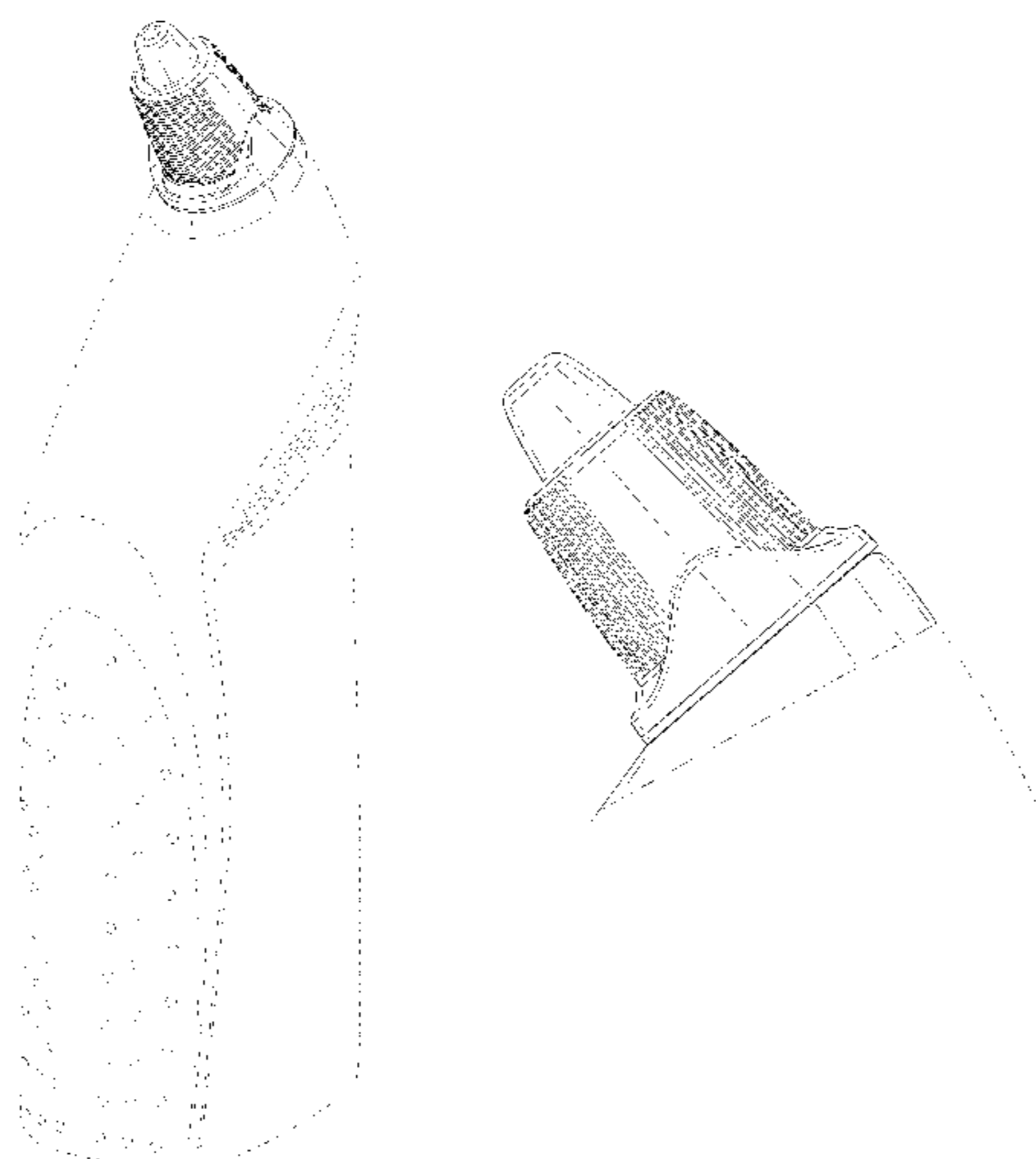
(57) **CLAIM**

The ornamental design for a cap with bottle, as shown and described.

DESCRIPTION

FIG. 1 is a front and side perspective view of a cap with bottle;
FIG. 2 is a front elevational view thereof;
FIG. 3 is a rear elevational view thereof;
FIG. 4 is a right side elevational view thereof;
FIG. 5 is a left side elevational view thereof;
FIG. 6 is a top plan view thereof;
FIG. 7 is a bottom plan view thereof;
FIG. 8 is an enlarged view of FIG. 1, enlarged for clarity details;
FIG. 9 is an enlarged view of FIG. 2 thereof; ;
FIG. 10 is an enlarged view of FIG. 3 thereof;
FIG. 11 is an enlarged view of FIG. 4 thereof;
FIG. 12 is an enlarged view of FIG. 5 thereof; and,
FIG. 13 is an enlarged view of FIG. 6 thereof.
The evenly broken lines are shown for the purpose of illustrating environmental subject matter and form no part of the claim. The dot-dash lines are shown for the purpose of identifying the boundaries of the claim and form no part thereof.

1 Claim, 8 Drawing Sheets



(58) **Field of Classification Search**

USPC D9/901; D10/123, 126; D16/134, 136,
 D16/218, 235, 241, 250; D19/115, 162,
 D19/163, 165, 192, 194; D24/112, 121,
 D24/127, 199, 224; D26/36, 123, 124;
 D28/7, 76, 78, 82, 85, 91; D32/53.1, 54;
 D34/1, 7, 10, 11, 39; 604/403, 404, 411;
 422/103; 239/327; 222/81, 83, 109,
 222/153.01, 158, 192, 205, 209, 211, 519,
 222/522, 533, 556; 220/26, 266, 254.1,
 220/254.4, 259.3, 288, 695, 702, 715,
 220/793, 805, 837, 915, 660, 669, 675;
 215/6, 10, 12.1, 200, 201, 206, 209, 216,
 215/218, 226, 228, 235, 236, 247, 305,
 215/306, 307, 311, 379, 381-386, 390,
 215/392, 687
 CPC B65D 50/041; B65D 23/00; B65D 1/00;
 B65D 1/02; B65D 1/0233; B65D
 2501/00; B65D 2501/0009; B65D 83/06;
 B65D 51/222; B65D 47/0809; B65D
 47/18; A47G 18/22; A47G 18/23; B05B
 11/00; B05B 11/045; B05B 11/004
 See application file for complete search history.

D247,773 S * 4/1978 Topham D9/447
 4,420,100 A * 12/1983 Mueller B05B 11/004
 215/11.3
 D275,454 S * 9/1984 Mitchell D9/447
 D278,311 S * 4/1985 Brown D9/436
 4,869,384 A * 9/1989 Ogle, II A61J 1/1406
 215/247
 D327,430 S * 6/1992 Farricielli D9/443
 D335,449 S * 5/1993 Appla D9/447
 D358,329 S * 5/1995 Dickie D9/443
 5,462,200 A * 10/1995 Weiler B65D 51/222
 222/420
 6,000,578 A * 12/1999 Boissay B65D 47/18
 222/153.06
 D519,835 S * 5/2006 Dubs D9/438
 7,306,121 B2 * 12/2007 Ophardt B65D 47/123
 222/209
 D634,630 S * 3/2011 Taylor D9/447
 D634,631 S * 3/2011 Taylor D9/447
 7,959,034 B2 * 6/2011 Faaborg B65D 41/0471
 222/109
 D641,626 S * 7/2011 Kaplan D9/447
 8,695,850 B2 * 4/2014 Bowman A61F 9/0008
 222/420
 D733,554 S * 7/2015 Rubinstein D9/416
 2005/0045669 A1 * 3/2005 Thunberg B65D 47/0809
 222/556
 2011/0139826 A1 * 6/2011 Hair B65D 1/32
 222/211

(56) **References Cited**

U.S. PATENT DOCUMENTS

D171,432 S * 2/1954 Bernard D9/447
 2,924,393 A * 2/1960 Robert B05B 11/00
 222/553
 3,286,934 A * 11/1966 Schneller B05B 11/045
 222/212

OTHER PUBLICATIONS

Harpic Power Plus Toilet Cleaner: Announced Sep. 5, 2008 [online],
 site visited [Mar. 29, 2016]. Available from Internet URL:<http://www.reviewcentre.com/reviews173744.html>.*

* cited by examiner

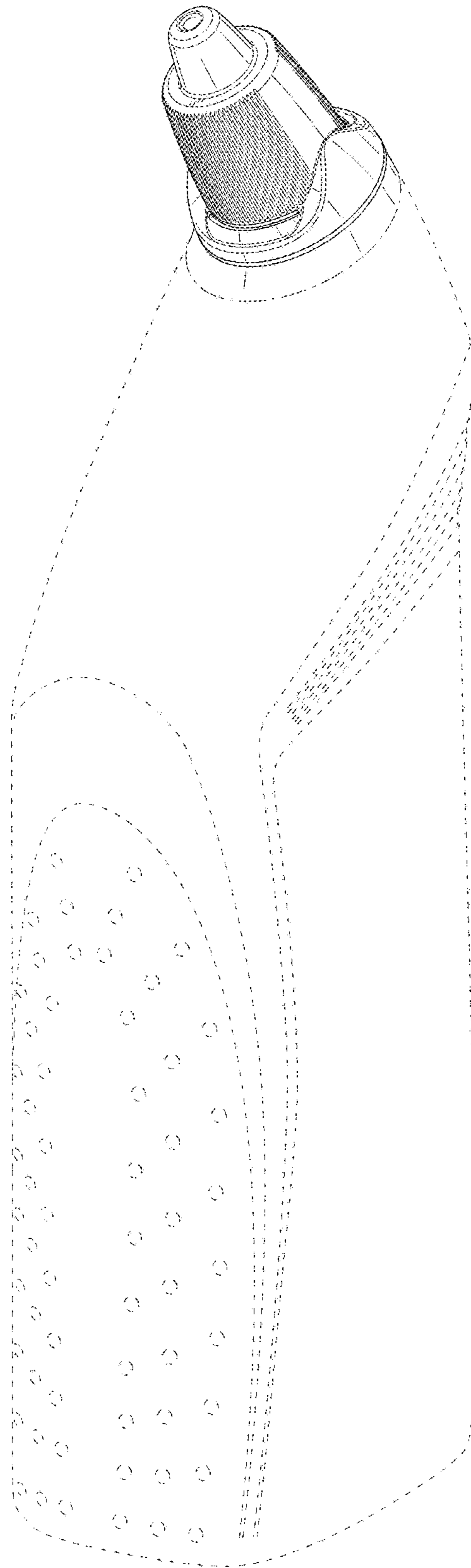


Fig. 1

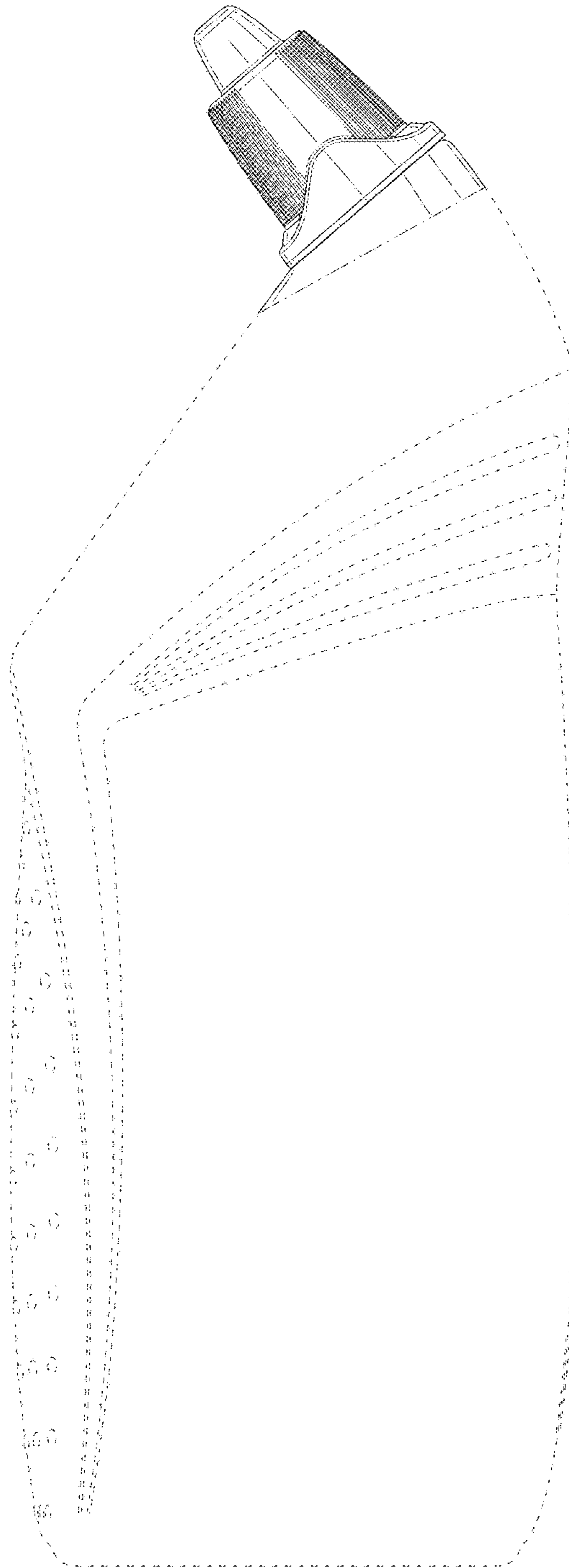


Fig. 2

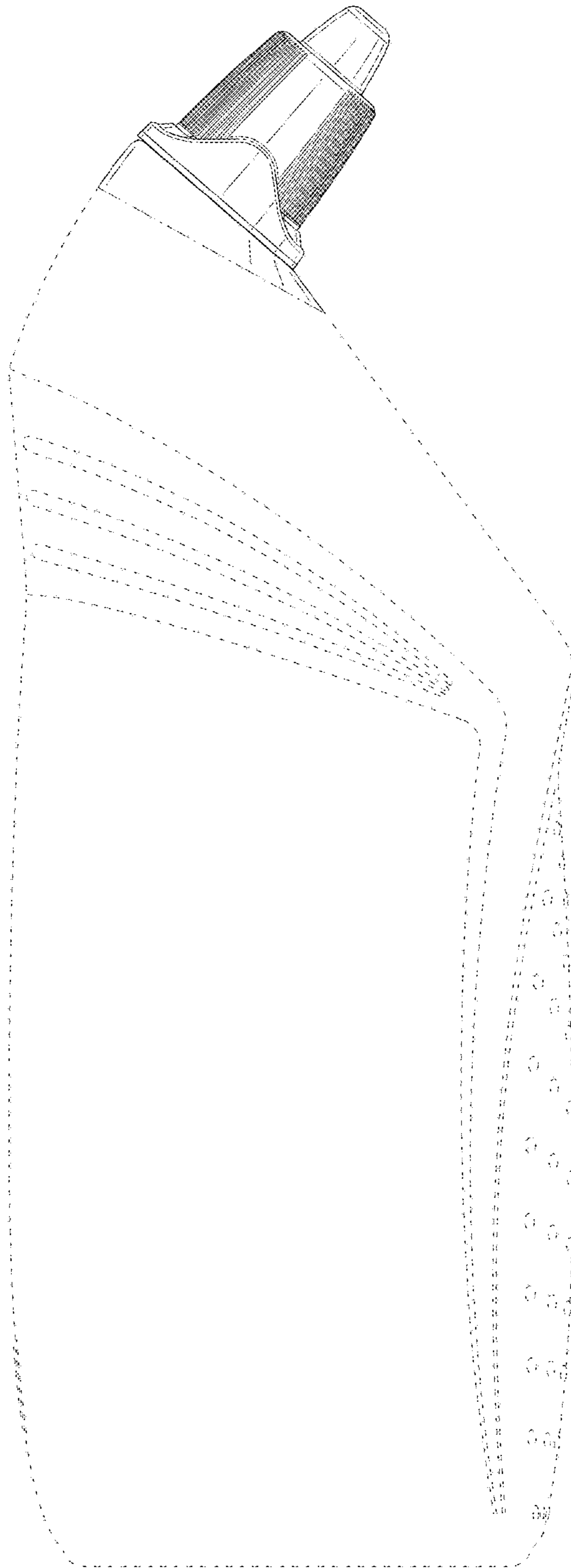


Fig. 3

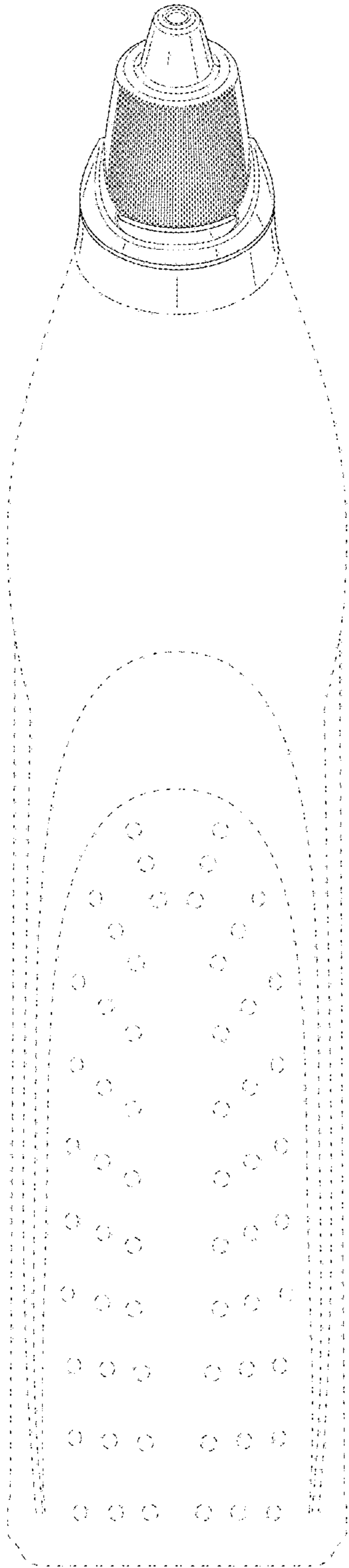


Fig. 4

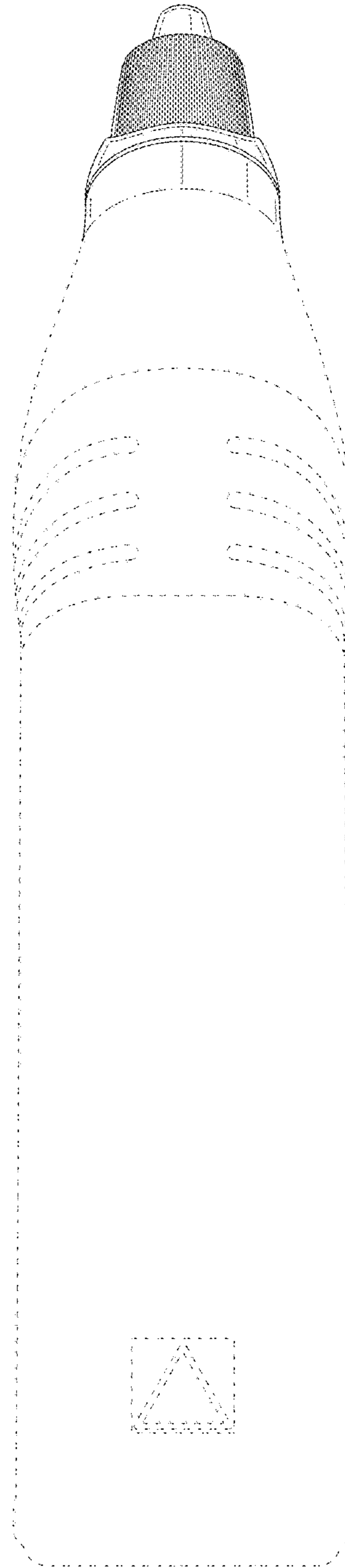


Fig. 5

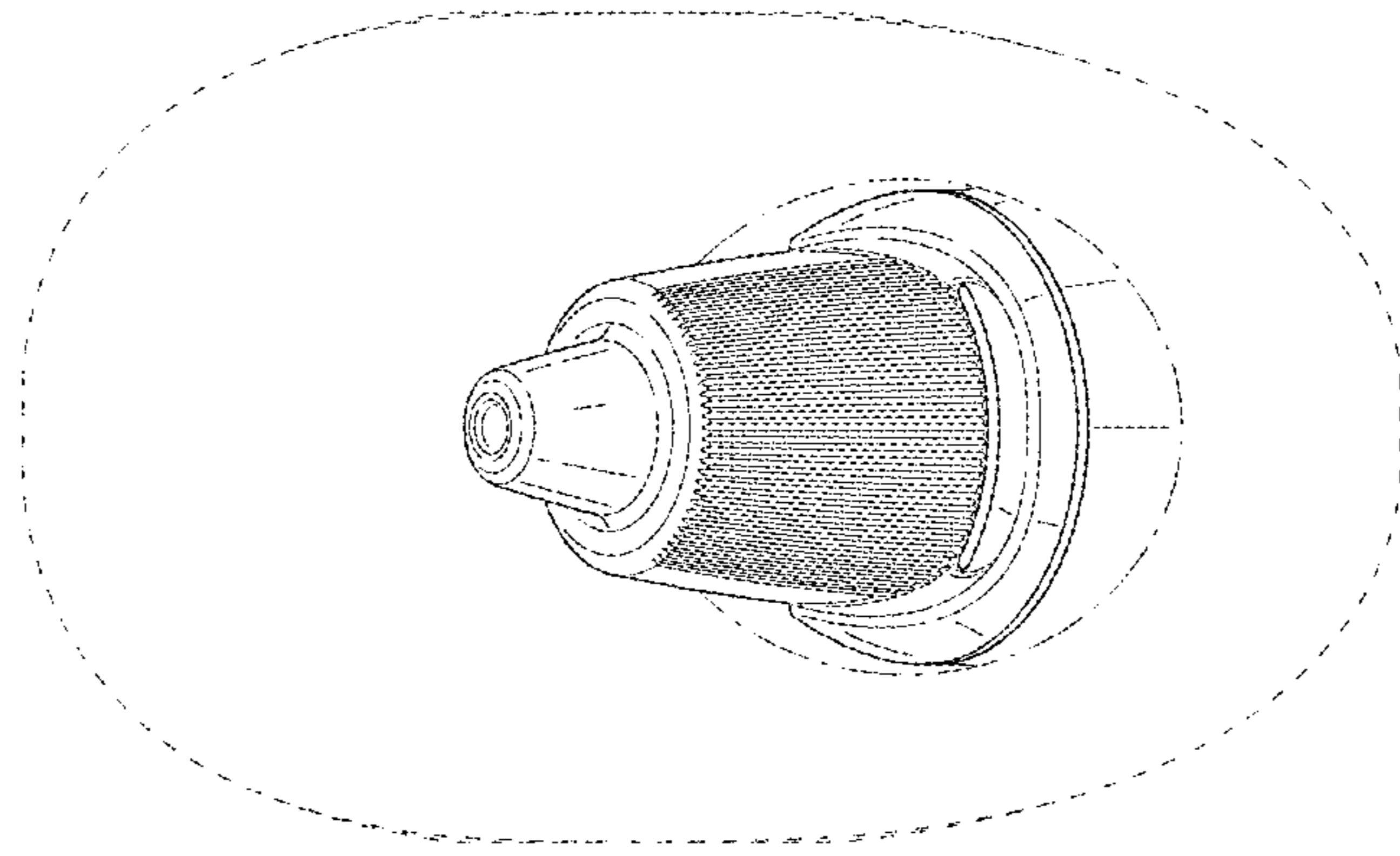


Fig. 6

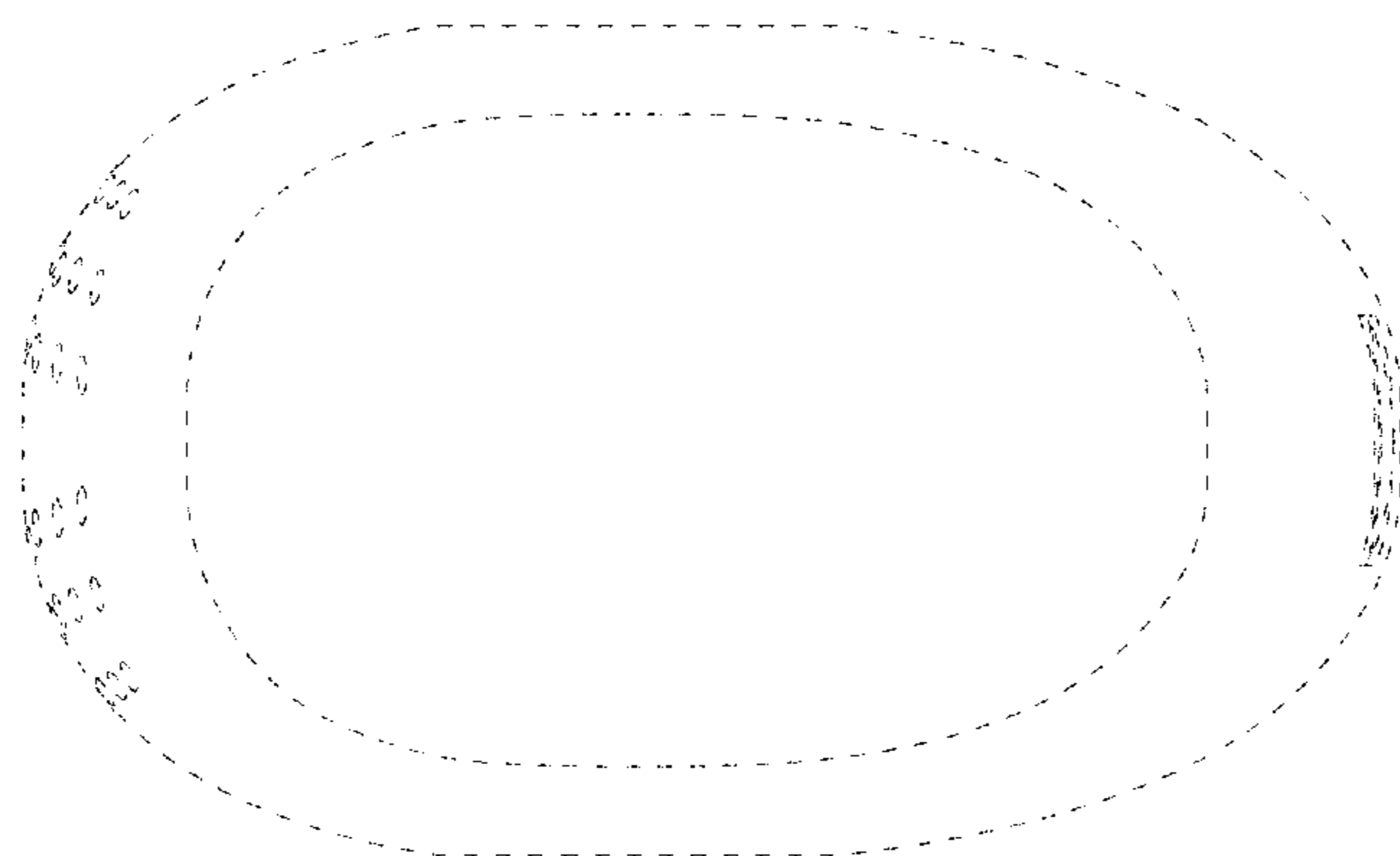


Fig. 7

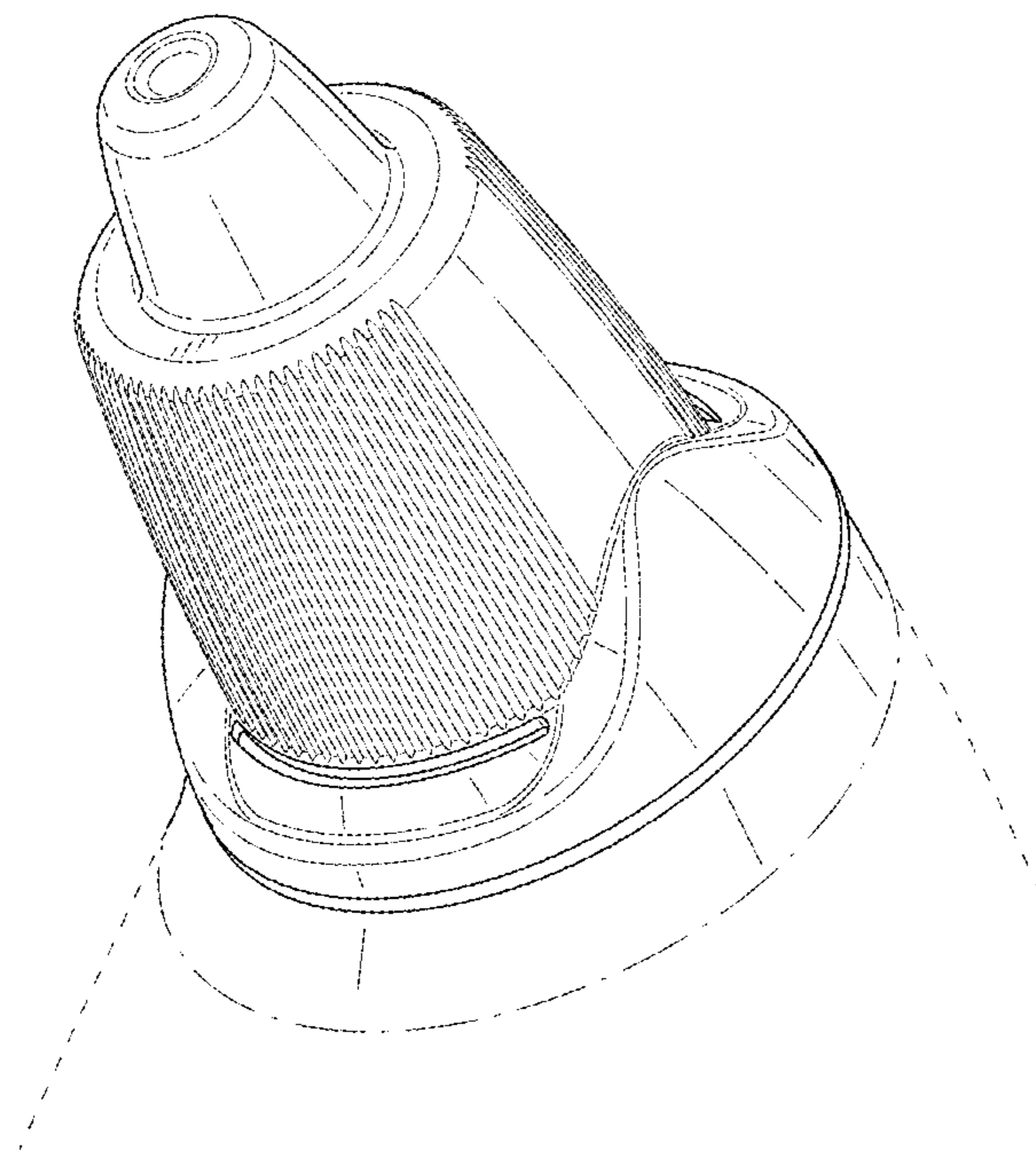


Fig. 8

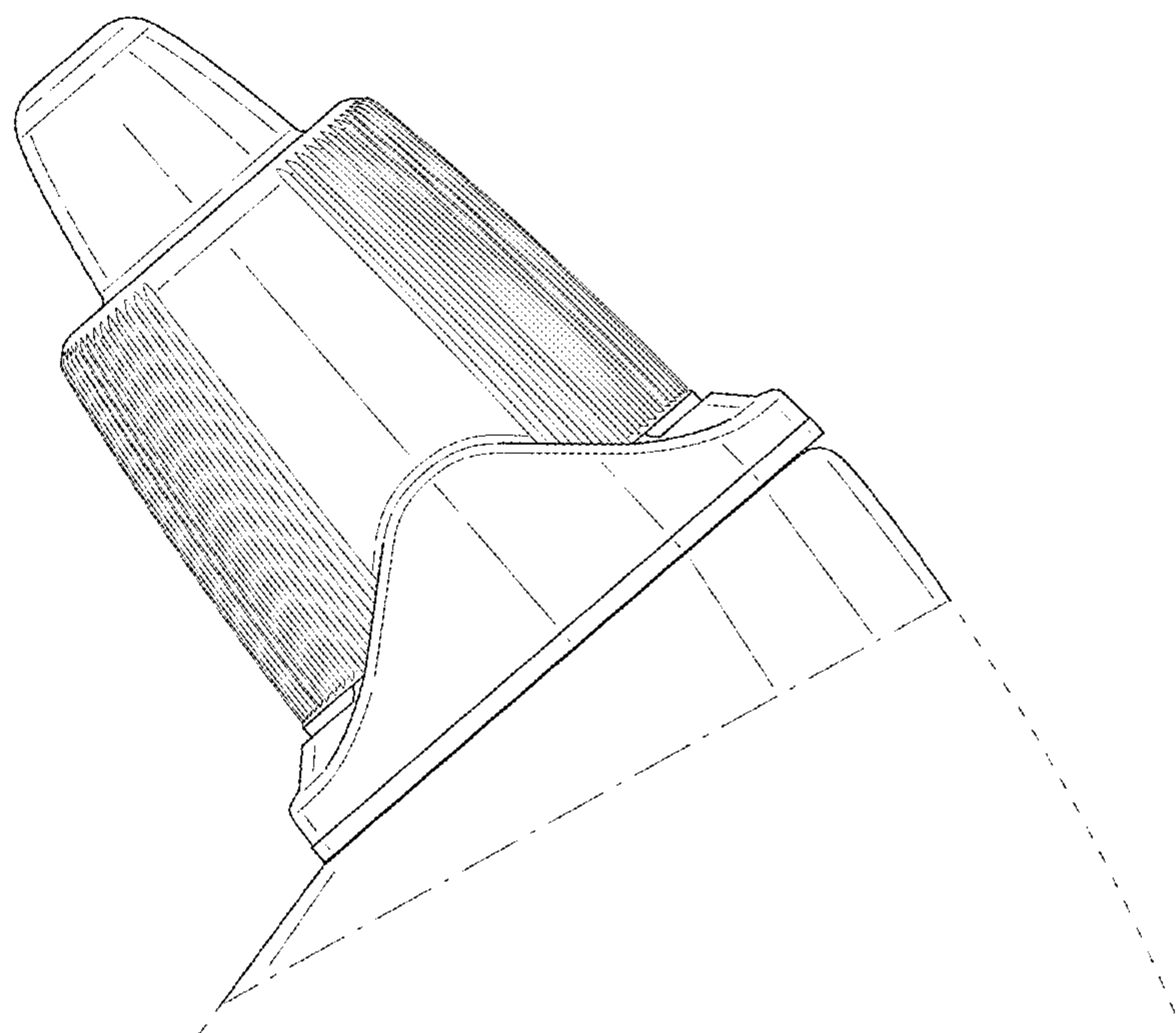


Fig. 9

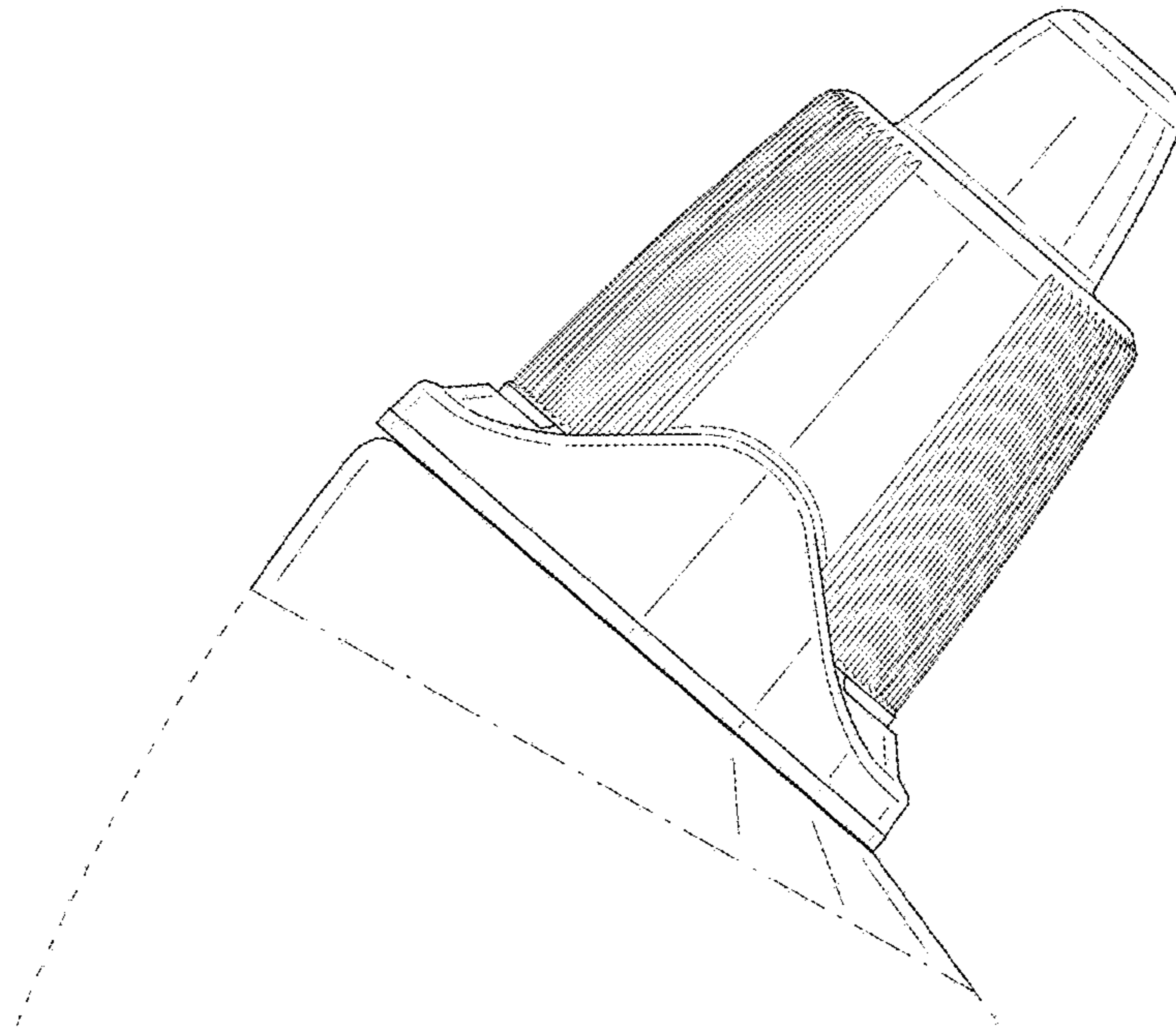


Fig. 10

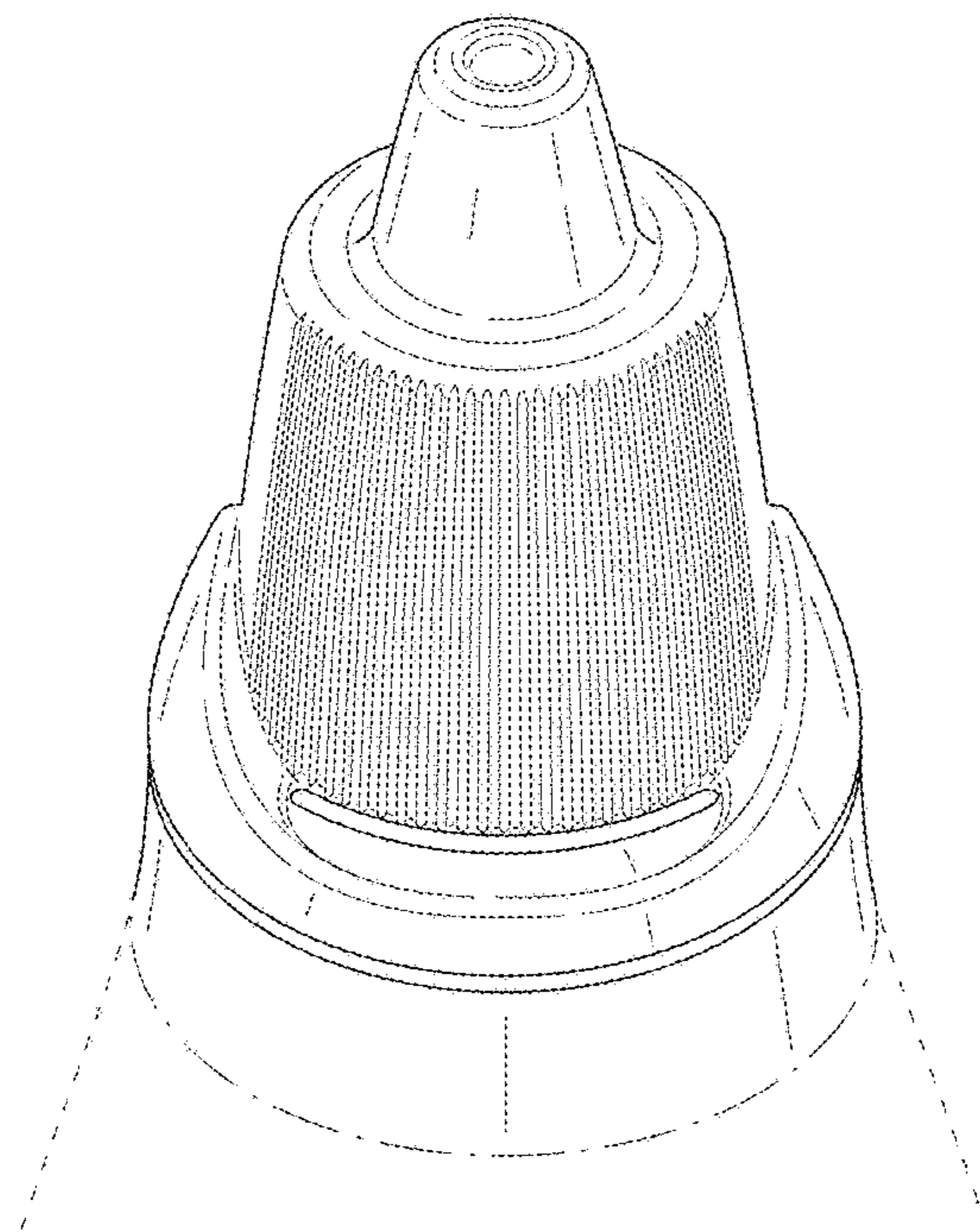


Fig. 11

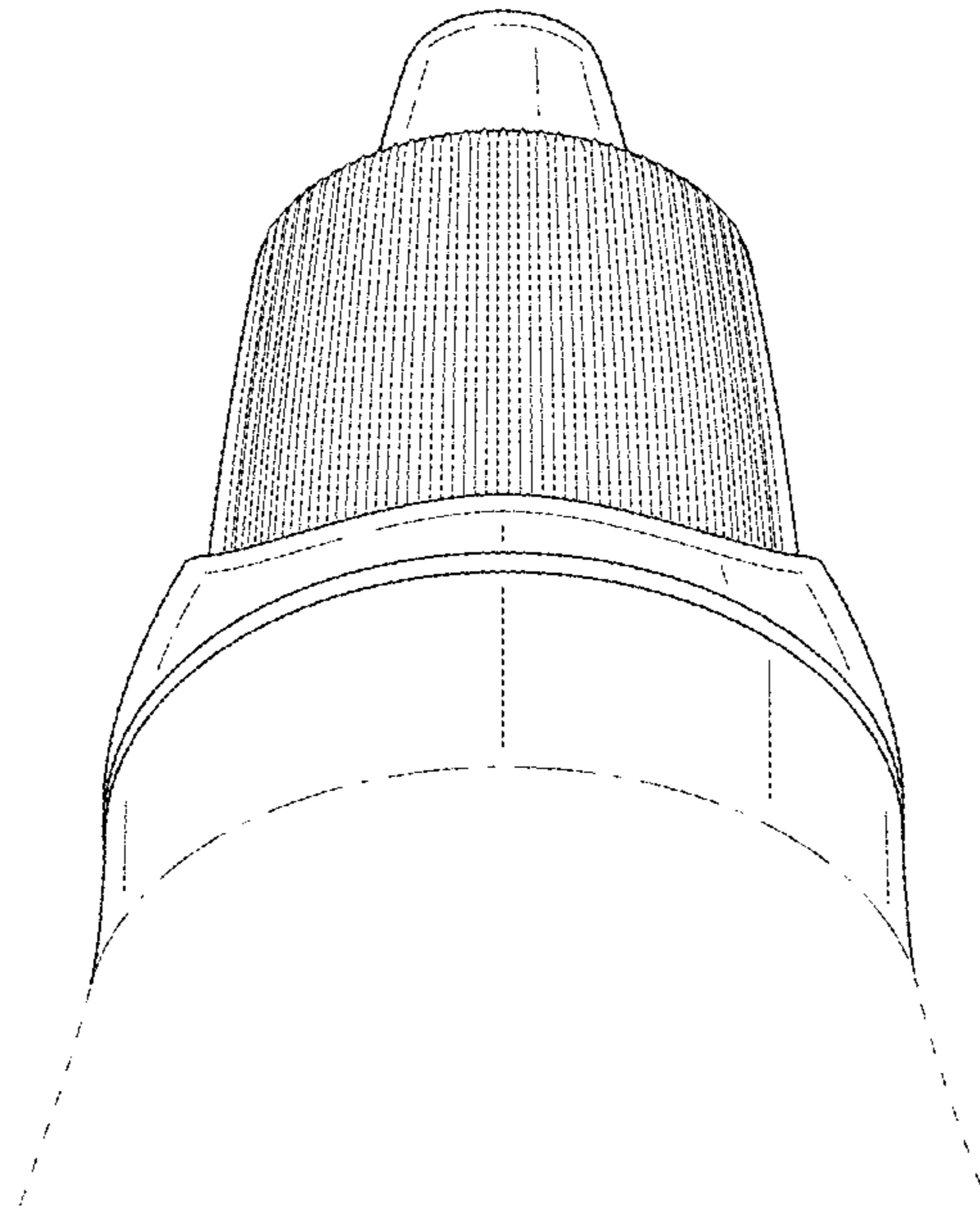


Fig. 12

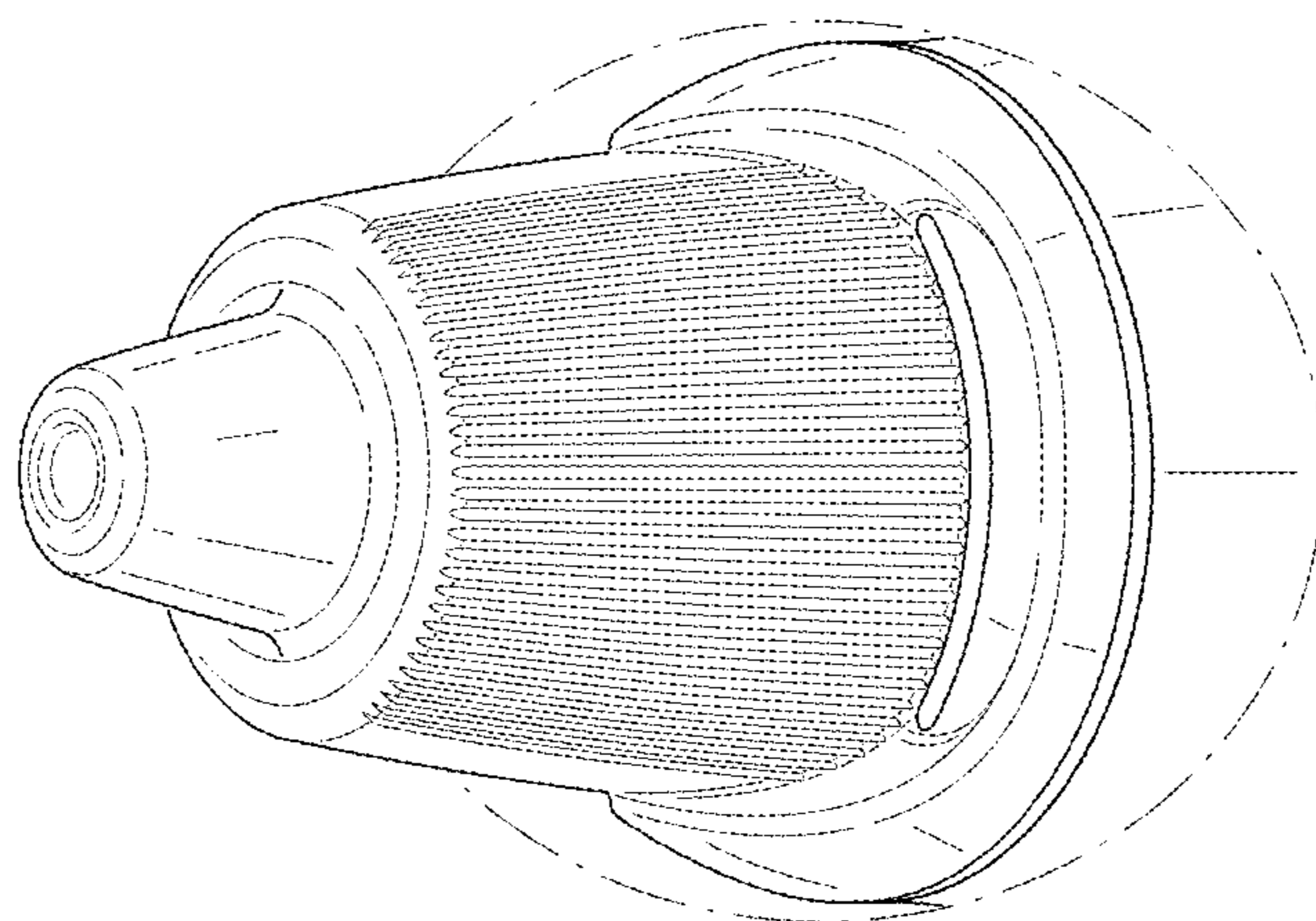


Fig. 13