



US00D809382S

(12) **United States Design Patent**
Torchin et al.

(10) **Patent No.:** **US D809,382 S**

(45) **Date of Patent:** **** Feb. 6, 2018**

(54) **PACKAGE**

(71) Applicant: **Under Armour, Inc.**, Baltimore, MD (US)

(72) Inventors: **Evan Torchin**, Baltimore, MD (US);
Brian Boring, Baltimore, MD (US);
Helene Christman, Baltimore, MD (US);
Paul Pugh, Baltimore, MD (US);
Eric Boam, Baltimore, MD (US);
Breyna Fries, Baltimore, MD (US)

(73) Assignee: **Under Armour, Inc.**, Baltimore, MD (US)

(**) Term: **15 Years**

(21) Appl. No.: **29/571,481**

(22) Filed: **Jul. 19, 2016**

(51) **LOC (11) Cl.** **09-03**

(52) **U.S. Cl.**
USPC **D9/432; D9/737**

(58) **Field of Classification Search**
USPC D9/414-434, 442-445, 456, 457, 542,
D9/563, 600, 614-624, 655, 657, 658,
(Continued)

(56) **References Cited**

U.S. PATENT DOCUMENTS

D22,290 S 3/1893 Burnworth
D968,286 8/1910 Streit
(Continued)

OTHER PUBLICATIONS

HTC And Under Armour's HealthBox Is Not Just Another Wearable. [online] Published date Jan. 8, 2016. Retrieved on Jul. 3, 2017 from <URL: <http://www.techtimes.com/articles/122473/20160108/htc-and-under-armours-healthbox-is-not-just-another-wearable.htm>>.*

(Continued)

Primary Examiner — Vy N Koenig

Assistant Examiner — Omeed Agilee

(74) *Attorney, Agent, or Firm* — Maginot, Moore & Beck LLP

(57) **CLAIM**

The ornamental design for a package, as shown and described.

DESCRIPTION

Cross reference is made to copending U.S. design patent application Ser. No. 29/571,479 entitled "Package" by Torchin et al. filed on even date herewith; U.S. design patent application Ser. No. 29/571,480 entitled "Package" by Torchin et al. filed on even date herewith; U.S. design patent application Ser. No. 29/571,482 entitled "Package" by Torchin et al. filed on even date herewith; U.S. design patent application Ser. No. 29/571,483 entitled "Package" by Torchin et al. filed on even date herewith; and U.S. design patent application Ser. No. 29/571,484 entitled "Package" by Torchin et al. filed on even date herewith.

FIG. 1 is a front, left, top perspective view of a package showing our new design.

FIG. 2 is a front elevational view showing the design for the package of FIG. 1;

FIG. 3 is a rear elevational view showing the design for the package of FIG. 1;

FIG. 4 is a right side elevational view showing the design for the package of FIG. 1;

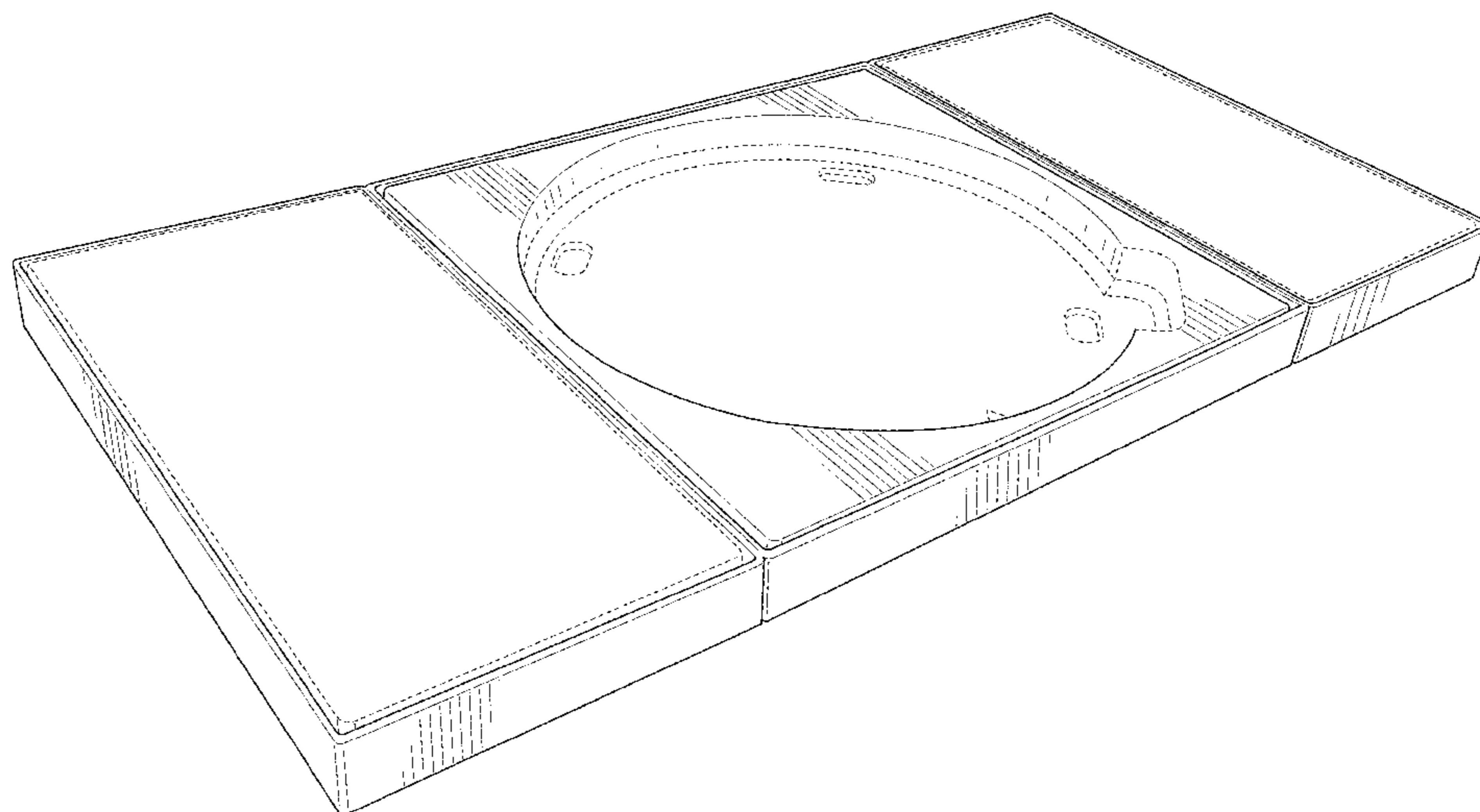
FIG. 5 is a left side elevational view showing the design for the package of FIG. 1;

FIG. 6 is a top plan view showing the design for the package of FIG. 1; and,

FIG. 7 is a bottom plan view showing the design for the package of FIG. 1.

The broken lines shown in the drawings illustrate portions of the package that form no part of the claimed design.

1 Claim, 5 Drawing Sheets



(58) **Field of Classification Search**
 USPC D9/661, 685, 696, 697-699, 707, 708,
 D9/711, 754, 759, 772-776; D3/273,
 D3/276, 304, 309-313; D7/601, 602, 709
 CPC B65D 5/00; B65D 5/001; B65D 5/0015;
 B65D 5/0227-5/0254; B65D 5/18; B65D
 5/38; B65D 5/40; B65D 5/2033; B65D
 5/48024; B65D 5/6605; B65D 1/22;
 B65D 1/24; B65D 1/34; B65B 5/06
 See application file for complete search history.

(56) **References Cited**

U.S. PATENT DOCUMENTS

1,694,119 A 12/1928 Frank
 D92,782 S 7/1934 Totjrtois
 D94,457 S 1/1935 Williamson
 2,007,089 A * 7/1935 Jones B65D 5/5021
 206/773
 2,329,866 A 9/1943 Sickels
 D162,424 S 3/1951 Kulp
 D190,253 S 5/1961 Chlop
 3,755,925 A * 9/1973 Court B65D 5/4204
 206/232
 D240,292 S * 6/1976 Beaumont D9/421
 D250,395 S 11/1978 Weil
 4,287,986 A 9/1981 Beck
 D262,461 S 12/1981 Holson
 4,307,806 A 12/1981 Haubert
 D264,602 S 5/1982 Plutsky
 D265,989 S 8/1982 Harris
 D280,290 S 8/1985 Bakus
 D285,503 S 9/1986 Weiner
 4,609,104 A 9/1986 Kasper
 D292,043 S 9/1987 Billiet
 4,919,259 A 4/1990 Beaulieu
 D309,109 S 7/1990 Allen
 D309,564 S 7/1990 Rayner
 RE33,503 E 12/1990 Schluger
 D316,752 S 5/1991 Ricketts
 D317,120 S 5/1991 Schwartzburg
 D317,411 S 6/1991 Holmes
 D322,760 S 12/1991 Blanchette
 D326,279 S 5/1992 Logan
 D332,048 S 12/1992 Pennell
 5,167,205 A 12/1992 Bell
 D339,287 S 9/1993 Levin
 D347,386 S 5/1994 Conway
 D348,836 S 7/1994 McCallum
 D355,846 S 2/1995 Denney
 D356,034 S 2/1995 Sugrue
 D358,546 S 5/1995 Walchek
 D358,767 S 5/1995 Berggren
 D362,972 S 10/1995 Wunsch
 D369,469 S 5/1996 Gregory
 D373,723 S 9/1996 Healey
 D373,754 S 9/1996 Pinterpe
 D375,680 S 11/1996 Liebermann
 D385,781 S 11/1997 Levine
 D393,591 S 4/1998 Baryshyan
 D398,527 S 9/1998 MacEachern
 D399,135 S 10/1998 Mecca
 D402,886 S 12/1998 Von Stein
 5,926,877 A 7/1999 Lin
 D420,586 S 2/2000 MacEachern
 D431,188 S 9/2000 Monn
 D438,418 S 3/2001 Myszka
 D443,388 S 6/2001 Roberts et al.
 D447,687 S 9/2001 Roby
 D452,628 S 1/2002 Stauffer
 D458,128 S 6/2002 Gray
 D469,296 S 1/2003 Byrne
 D484,695 S 1/2004 Depalma
 D511,093 S 11/2005 Keeton
 6,991,100 B2 1/2006 Delaere
 D514,315 S 2/2006 Lai

D517,911 S 3/2006 Alexander
 D518,676 S 4/2006 Lee
 D518,709 S 4/2006 Connolly
 D519,367 S 4/2006 Alexander
 7,040,899 B2 5/2006 Armstrong
 D523,747 S 6/2006 Snedden
 D530,913 S 10/2006 Chan
 D541,146 S 4/2007 Cale
 D547,056 S * 7/2007 Griffin D3/218
 D547,057 S * 7/2007 Griffin D3/218
 D552,300 S 10/2007 Dittmer
 D570,682 S 6/2008 Erden
 D571,383 S 6/2008 Ota
 D572,024 S 7/2008 Shapiro
 D589,250 S * 3/2009 Myers D3/218
 7,511,950 B1 3/2009 Brekke
 D591,534 S * 5/2009 Fojtasek D6/683.1
 D592,853 S 5/2009 Parker
 D594,510 S 6/2009 Sappington
 D596,935 S 7/2009 Golota
 D600,964 S 9/2009 Elia
 D601,798 S 10/2009 Hsu
 7,607,699 B2 10/2009 Langford
 D609,696 S 2/2010 Martinez
 D610,350 S 2/2010 Smith
 D613,123 S * 4/2010 Hilger D7/553.3
 D615,320 S 5/2010 Griffin
 D620,352 S 7/2010 Liipola
 D626,831 S 11/2010 Nicholas
 D627,931 S 11/2010 Barresi
 D631,353 S 1/2011 Gelardi
 D633,388 S 3/2011 Bartley
 D642,935 S * 8/2011 Bergeron B65D 71/46
 D9/433
 D644,514 S 9/2011 Robins
 D646,917 S * 10/2011 Wynalda, Jr. D6/627
 8,033,393 B2 10/2011 Baker
 D650,271 S * 12/2011 Cluett D9/432
 D653,854 S 2/2012 Chamberlain
 D657,156 S 4/2012 Shih
 D660,723 S 5/2012 Akana
 D663,201 S * 7/2012 Carroll D9/449
 D666,818 S 9/2012 Mbi
 D667,302 S 9/2012 Jones
 D674,709 S 1/2013 Akana
 D682,680 S 5/2013 Terlesky
 D683,950 S 6/2013 Ernster
 D685,654 S 7/2013 Akana
 D687,293 S 8/2013 Glass
 D687,601 S 8/2013 Ko
 D688,420 S 8/2013 Lai
 D689,772 S 9/2013 Jones
 D690,591 S 10/2013 Sanders
 D691,802 S 10/2013 Lin
 D698,199 S 1/2014 Yessin
 D701,757 S 4/2014 Bartley
 D708,055 S 7/2014 Elston
 D712,251 S 9/2014 Scott
 D713,740 S 9/2014 Akana
 D714,136 S 9/2014 Stepanov
 D716,648 S 11/2014 Tan
 D716,649 S 11/2014 McAdam
 D717,164 S * 11/2014 Rossiter D6/634
 D718,123 S 11/2014 Street
 D724,941 S 3/2015 Mattila
 D724,942 S 3/2015 Mattila
 D725,411 S * 3/2015 Jannetides D6/663
 D726,819 S 4/2015 Botha
 D728,182 S 4/2015 Cook
 D728,941 S * 5/2015 Stoeckmann D3/313
 D730,173 S 5/2015 Barad
 D730,175 S 5/2015 Barad
 D730,646 S 6/2015 Dechant
 D730,742 S 6/2015 Glass
 D733,557 S 7/2015 McAdam
 D733,698 S * 7/2015 Suzuki D14/315
 D736,616 S 8/2015 Suen
 D737,688 S 9/2015 Stone
 D738,721 S 9/2015 Song

(56)

References Cited

U.S. PATENT DOCUMENTS

D739,228 S 9/2015 Jondal
 D742,741 S * 11/2015 Rossiter D9/433
 D515,941 S 2/2016 Hamblin
 D748,392 S 2/2016 Upchurch
 D749,962 S * 2/2016 Gorbatiuk D9/432
 D751,498 S 3/2016 Munshi
 D752,863 S 4/2016 Torggler
 D754,598 S 4/2016 Munshi
 D755,118 S 5/2016 Munshi
 D755,119 S 5/2016 Munshi
 D522,858 S 6/2016 Snedden
 D758,851 S 6/2016 Binder
 D762,342 S * 8/2016 Stenvik D1/129
 D762,487 S 8/2016 Safiullin
 D766,713 S 9/2016 Kiss
 D770,896 S 11/2016 Johansson
 D772,559 S 11/2016 Binder
 D783,285 S 4/2017 Hecht
 D783,547 S 4/2017 Bergmann
 D784,811 S 4/2017 Scevola

D785,939 S 5/2017 Cooper
 D786,071 S 5/2017 Miller
 D786,073 S 5/2017 Hutcheson
 D790,334 S 6/2017 Pan
 2003/0102244 A1 6/2003 Sanders
 2005/0155259 A1 7/2005 Virvo
 2007/0251856 A1 11/2007 Zietlow
 2008/0041870 A1 2/2008 Smith
 2008/0245687 A1 10/2008 Gelardi
 2010/0126891 A1 5/2010 Schafer
 2014/0163496 A1 6/2014 Grum-Schwensen
 2015/0102093 A1 4/2015 Melistas
 2015/0144512 A1 5/2015 D'Alfonso
 2016/0068296 A1 3/2016 Dammeyer

OTHER PUBLICATIONS

5.5x7.5x1 Embellished Gatefold Silk Invitation Box. [online] Published date unknown. Retrieved on Jul. 17, 2017 from <URL: <http://www.thaisilkbox.com/Wedding-Invitation-Boxes-Embellishments-GFEM557010.html>>.*

* cited by examiner

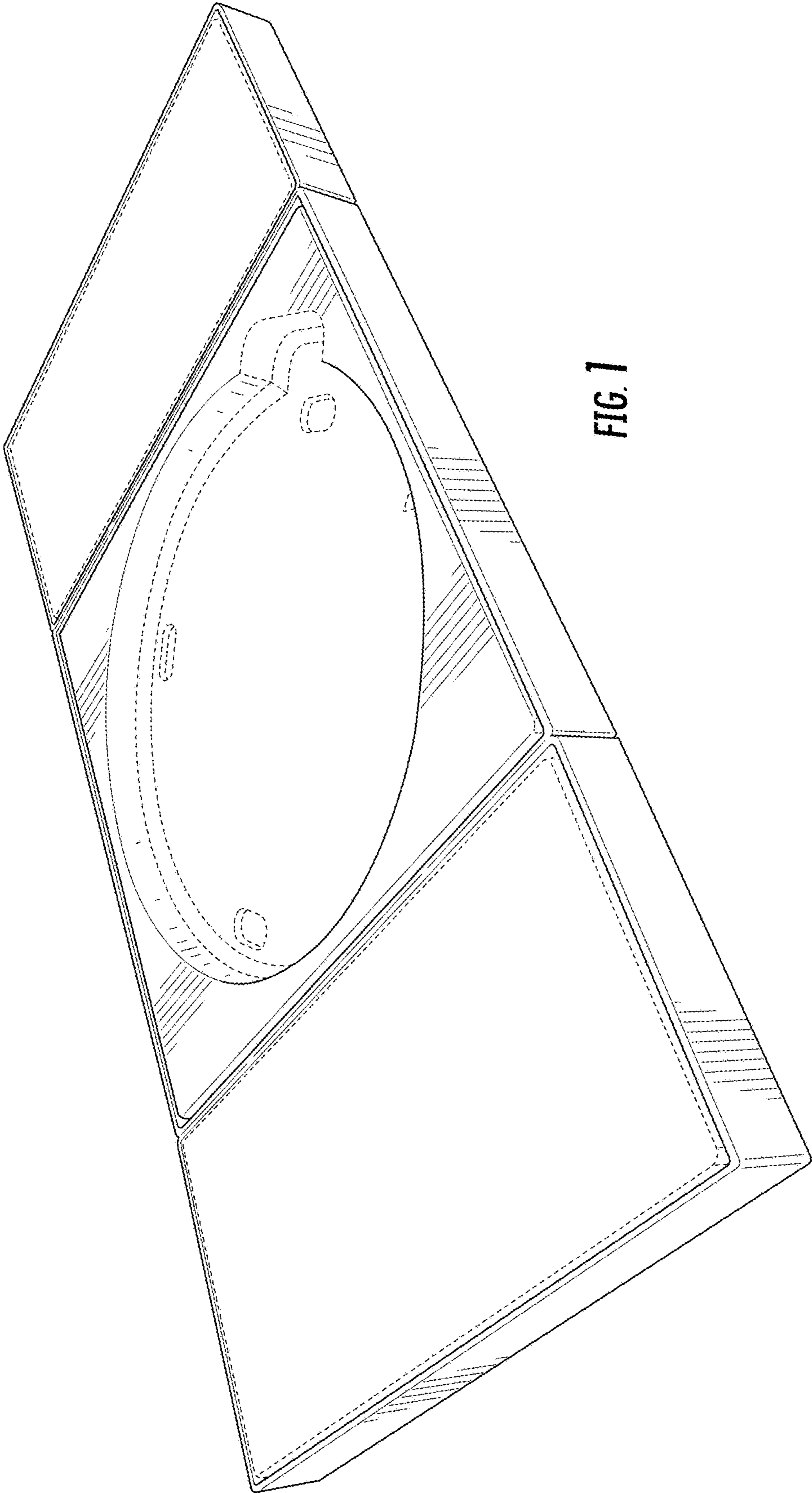


FIG. 1



FIG. 2



FIG. 3



FIG. 4



FIG. 5

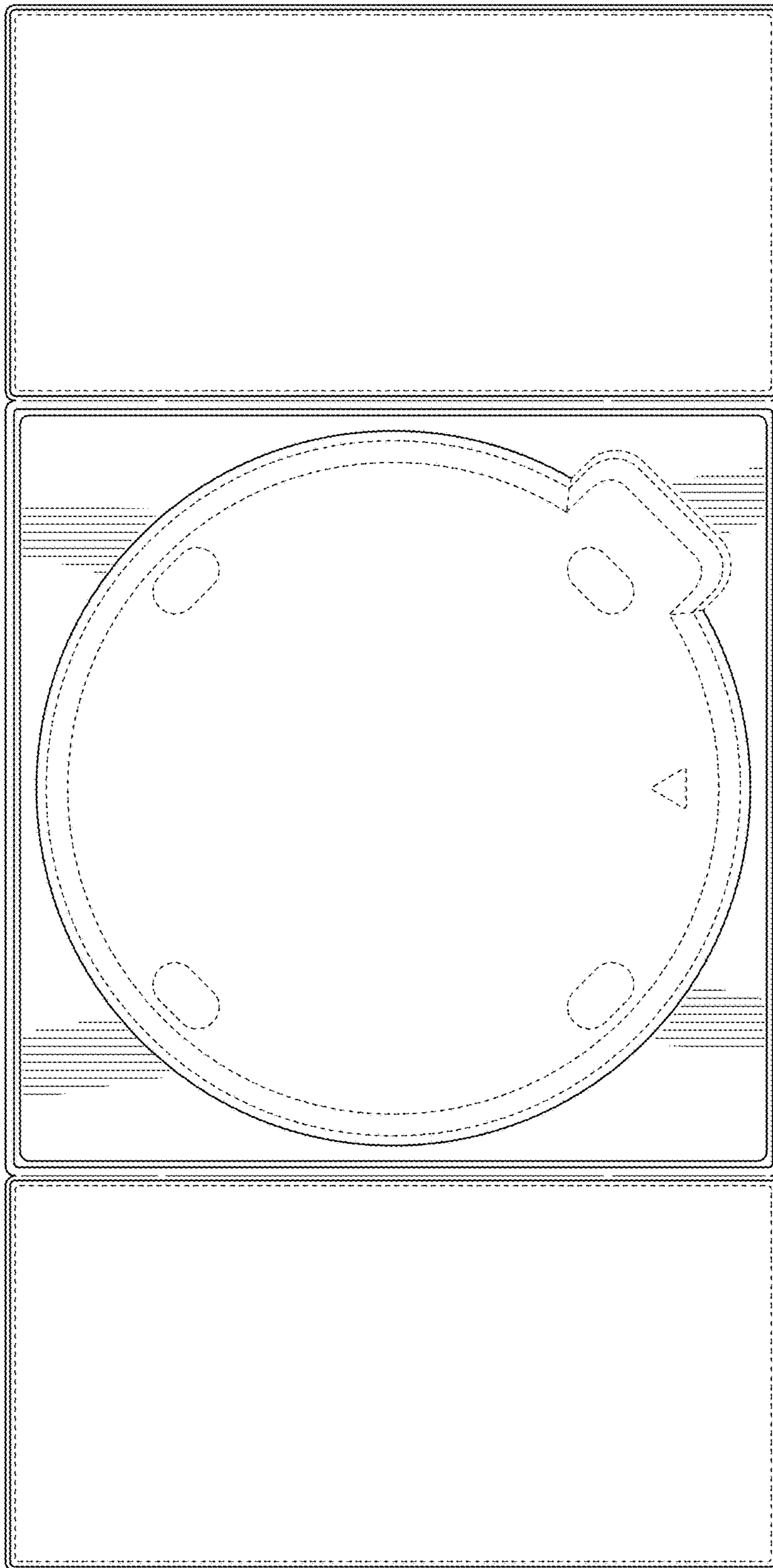


FIG. 6

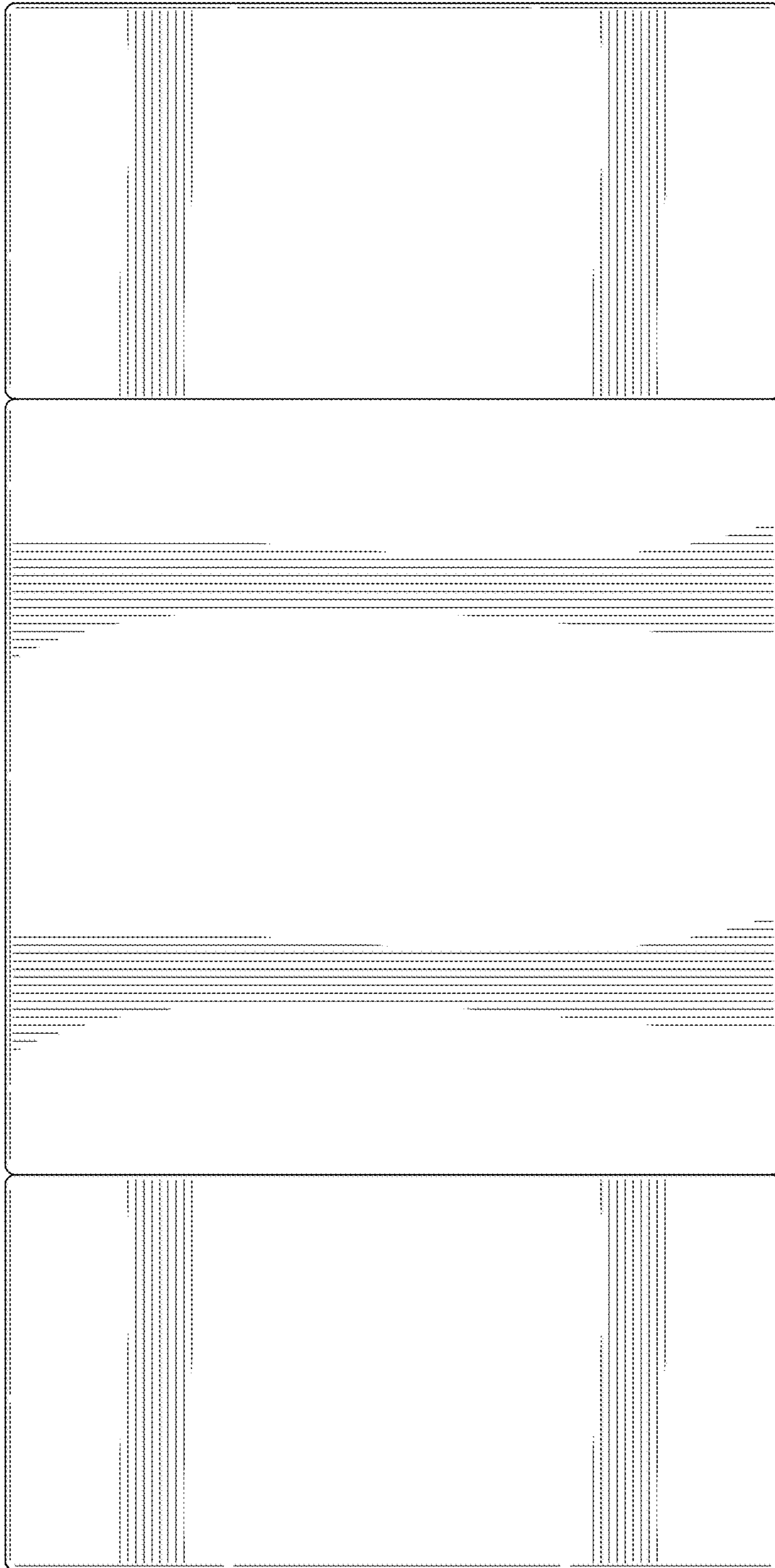


FIG. 7