



US00D809379S

(12) **United States Design Patent**
Paige

(10) **Patent No.:** **US D809,379 S**
(45) **Date of Patent:** **** Feb. 6, 2018**

(54) **CONTAINER HOLDER**

(71) Applicant: **Jionni Paige**, Denver, CO (US)

(72) Inventor: **Jionni Paige**, Denver, CO (US)

(**) Term: **15 Years**

(21) Appl. No.: **29/570,520**

(22) Filed: **Jul. 8, 2016**

(51) **LOC (11) Cl.** **09-03**

(52) **U.S. Cl.**
USPC **D9/418**

(58) **Field of Classification Search**
USPC ... D3/11, 20, 200, 203.3, 207, 202, 212, 36;
D16/250; D19/106
CPC B65D 81/00; B65D 81/02; A47G 9/06
See application file for complete search history.

(56) **References Cited**

U.S. PATENT DOCUMENTS

- 1,208,728 A * 12/1916 Bartlett et al. A45F 5/00
224/148.5
- D296,987 S * 8/1988 Rayner D9/780
- D302,775 S * 8/1989 Sinoff D3/202
- 4,852,762 A * 8/1989 Chou-Sheng A47G 19/2266
215/229
- D306,408 S * 3/1990 Umbeck D9/428
- D306,545 S * 3/1990 Rosdick D3/202
- D316,949 S * 5/1991 Frizell D7/608
- D325,494 S * 4/1992 Gentry 224/148.3
- 5,337,581 A * 8/1994 Lott A61L 11/00
220/87.1
- D353,749 S * 12/1994 Rozmiarek D7/709
- 5,864,289 A * 1/1999 Tiemann A45C 1/00
224/236
- D417,614 S * 12/1999 Chu D3/229
- 6,004,033 A 12/1999 Cirone
- D426,461 S * 6/2000 Noble D3/203.3
- D431,322 S * 9/2000 Lemoine D28/73
- 6,193,202 B1 2/2001 Rogers
- 6,318,689 B1 11/2001 Rodriguez

- D466,685 S * 12/2002 Gref D3/11
 - D466,809 S * 12/2002 Sagel D9/428
 - D486,641 S * 2/2004 Tagliati D3/274
- (Continued)

OTHER PUBLICATIONS

Kolder, "Bottle Insulators", <http://www.kolder.com/bottleinsulators.html> [Retrieved from the Internet on Mar. 17, 2017], Known as early as Oct. 12, 2015, 3 Pages.
(Continued)

Primary Examiner — Mary Ann Calabrese
Assistant Examiner — Mehri Bajoul
(74) *Attorney, Agent, or Firm* — Dorsey & Whitney LLP

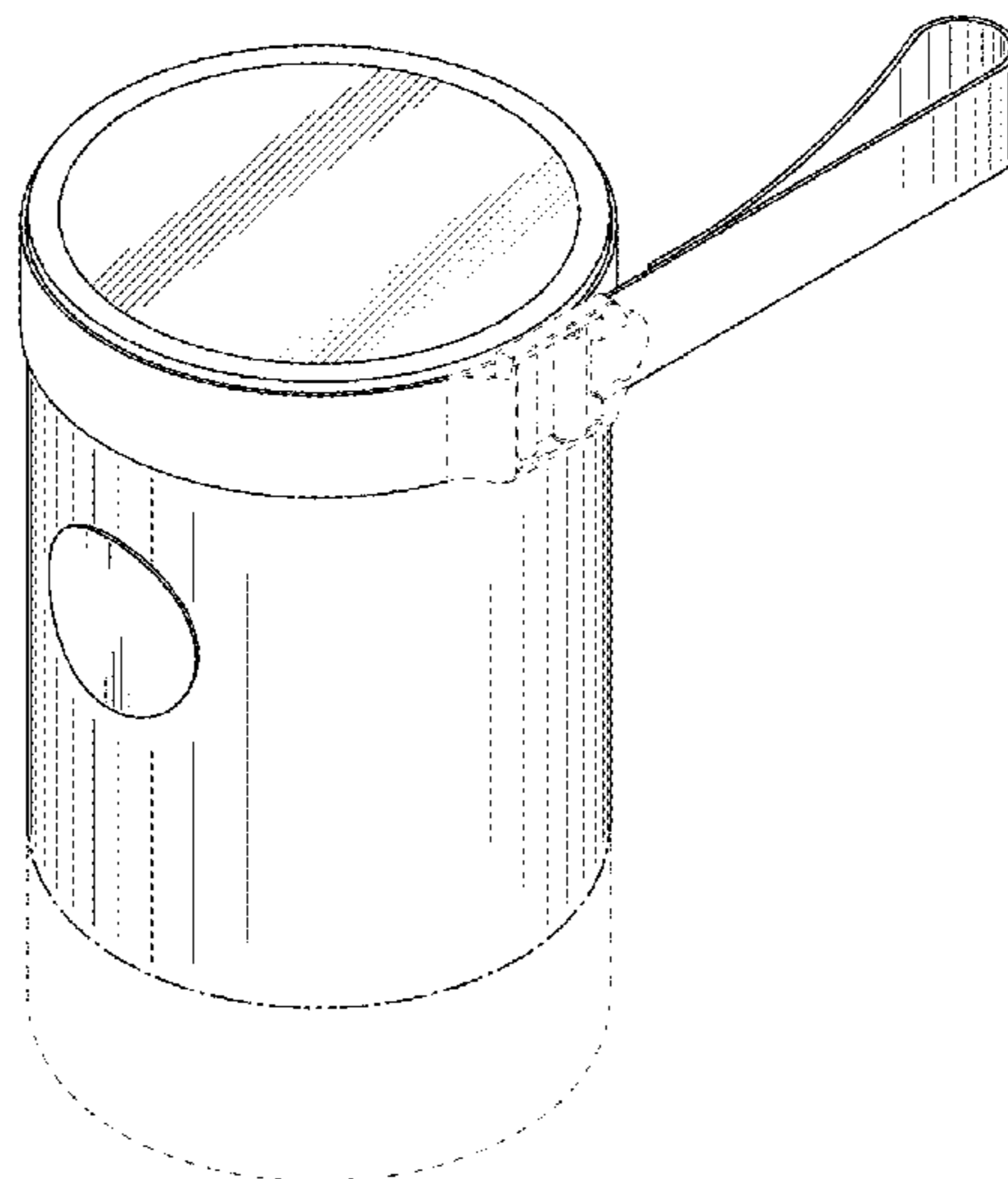
(57) **CLAIM**

I claim the ornamental design for a container holder, as shown and described.

DESCRIPTION

FIG. 1 is a front perspective of a container holder.
FIG. 2 is a front elevation of the container holder of FIG. 1.
FIG. 3 is a rear elevation of the container holder of FIG. 1.
FIG. 4 is a left side elevation view of the container holder of FIG. 1.
FIG. 5 is a right side elevation view of the container holder of FIG. 1.
FIG. 6 is a top plan view of the container holder of FIG. 1; and,
FIG. 7 is a bottom plan view of the container holder of FIG. 1.
The evenly spaced broken lines depict portions of the design that form no part of the claim. The dot-dash broken lines in FIGS. 1-5 and 7 define the bounds of the claim and form no part of the claim.

1 Claim, 4 Drawing Sheets



(56)

References Cited

U.S. PATENT DOCUMENTS

D506,056 S * 6/2005 Burns D3/207
 7,021,594 B2 4/2006 Exler
 D526,190 S * 8/2006 Bolt D9/418
 D527,252 S * 8/2006 Bolt D9/418
 D540,679 S * 4/2007 Tanner D9/420
 D557,008 S * 12/2007 Stiller D3/207
 D585,305 S * 1/2009 Alvares D9/780
 D585,637 S * 2/2009 Schnackenberg D3/202
 D591,589 S * 5/2009 Myers D7/615
 D592,529 S * 5/2009 Friebe D9/772
 D609,454 S * 2/2010 Porter-Young D3/202
 D630,843 S * 1/2011 Thibodeau D3/229
 7,897,088 B2 3/2011 Mitchell
 D672,136 S * 12/2012 Martin D3/212
 D675,881 S * 2/2013 Wamack, Jr. D7/608
 D677,882 S 3/2013 Inglis
 D710,594 S * 8/2014 Vasquez D3/207

D713,639 S * 9/2014 Whitlock D3/202
 D787,826 S * 5/2017 Clohessy D3/301
 2004/0021049 A1 2/2004 Payne et al.
 2004/0245415 A1 12/2004 Sun
 2005/0056655 A1 3/2005 Gary
 2006/0201956 A1 9/2006 Romo
 2009/0205542 A1* 8/2009 Chang B65D 81/00
 109/23
 2013/0098954 A1 4/2013 Inglis

OTHER PUBLICATIONS

Kolder, "Can Insulators", <http://www.kolder.com/caninsulators.html> [Retrieved from the Internet on Mar. 17, 2017], Known as early as Oct. 12, 2015, 3 Pages.
 Kolder, "Kup Holder", <http://www.kolder.com/kupholder.html> [Retrieved from the Internet on Mar. 17, 2017], Known as early as Oct. 12, 2015, 3 Pages.

* cited by examiner

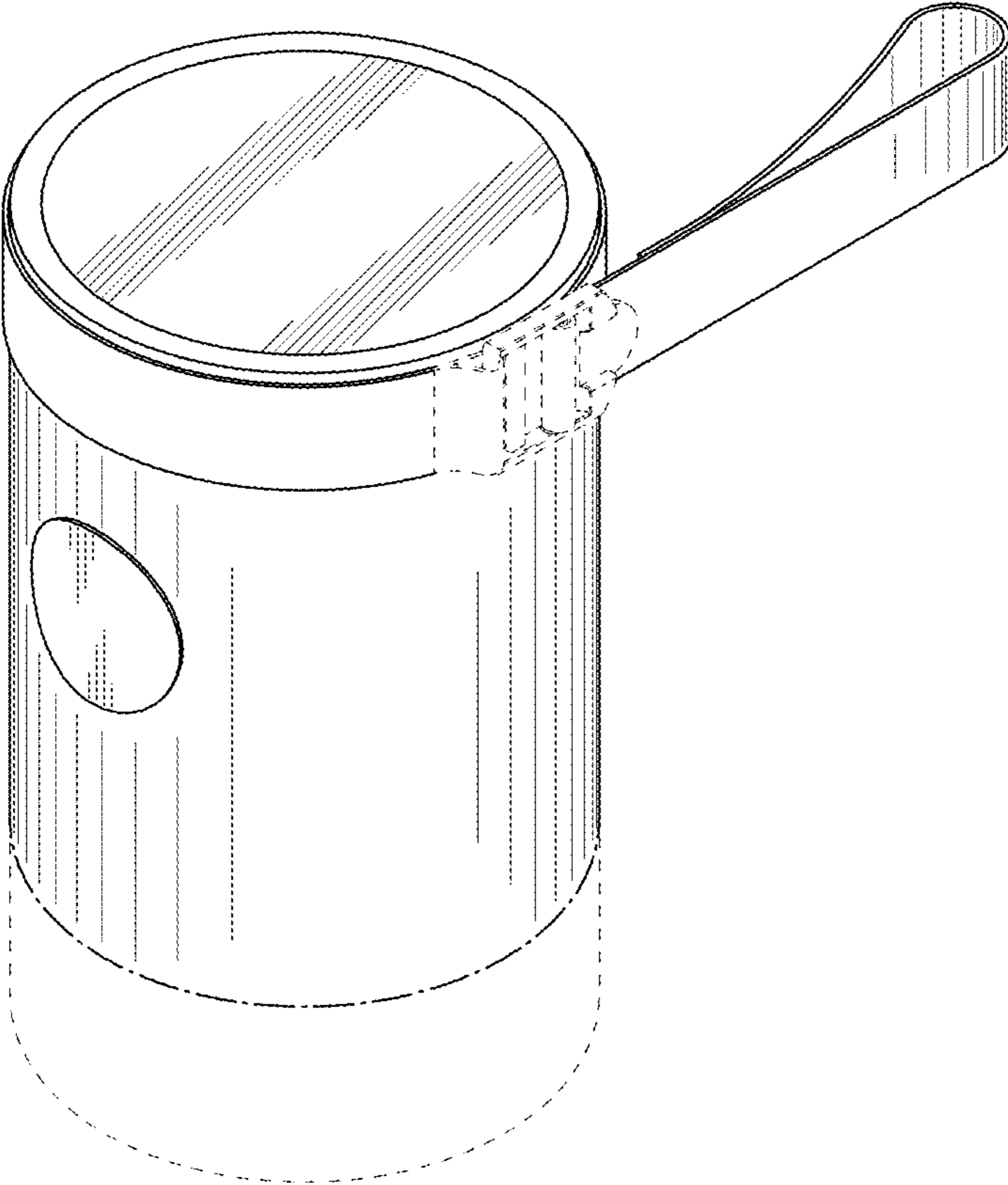


FIG. 1

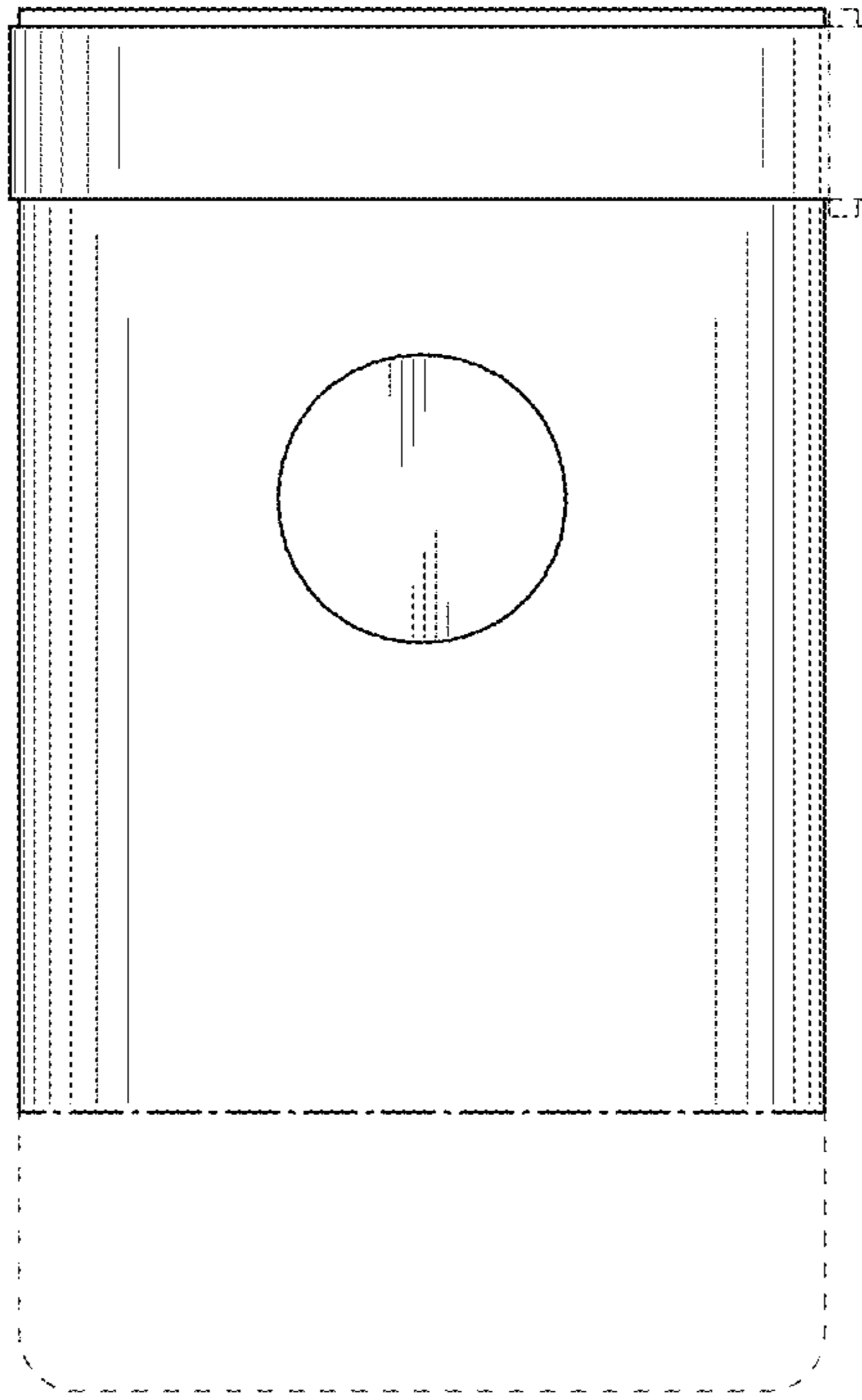


FIG. 2

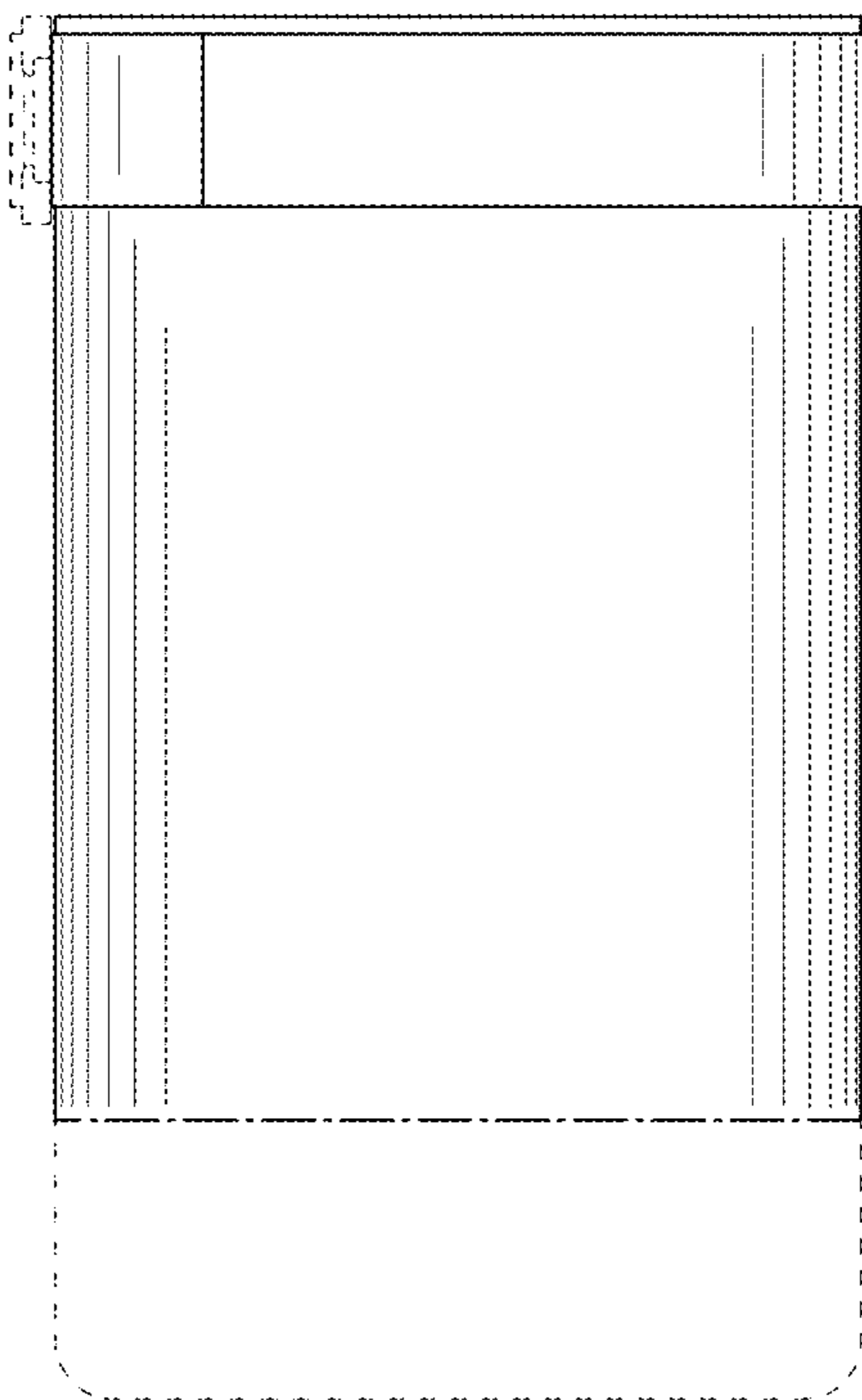


FIG. 3

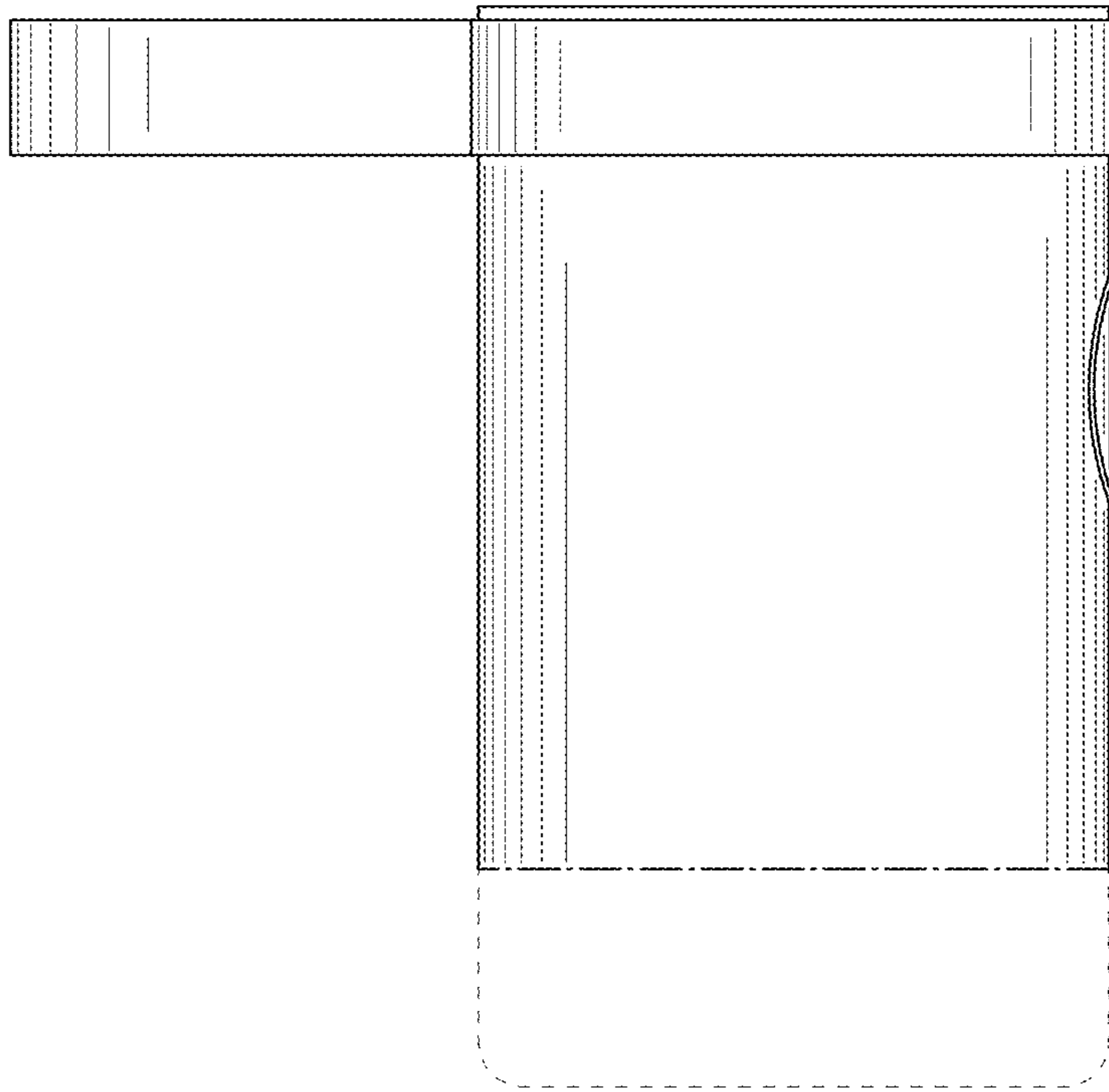


FIG. 4

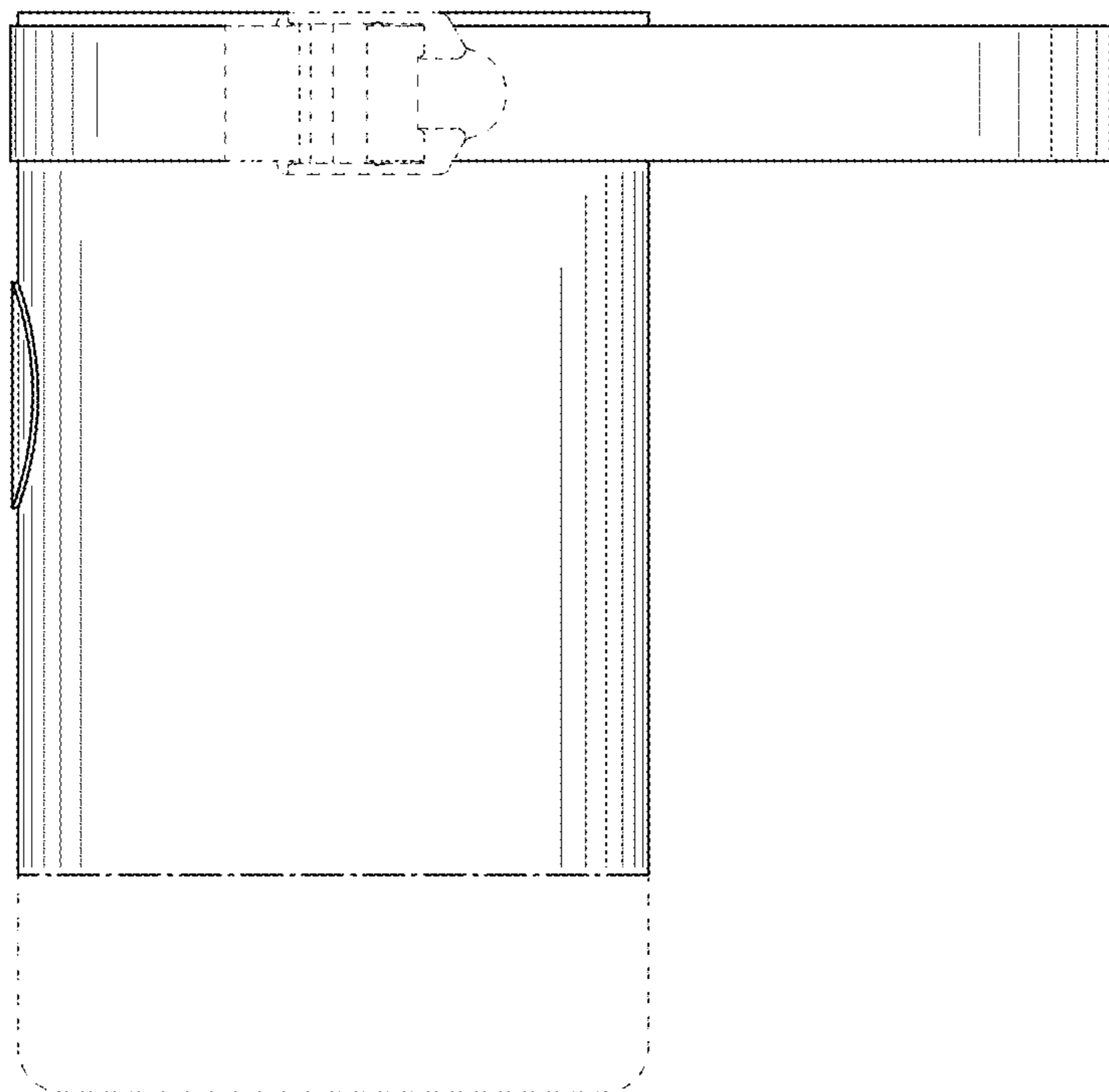


FIG. 5

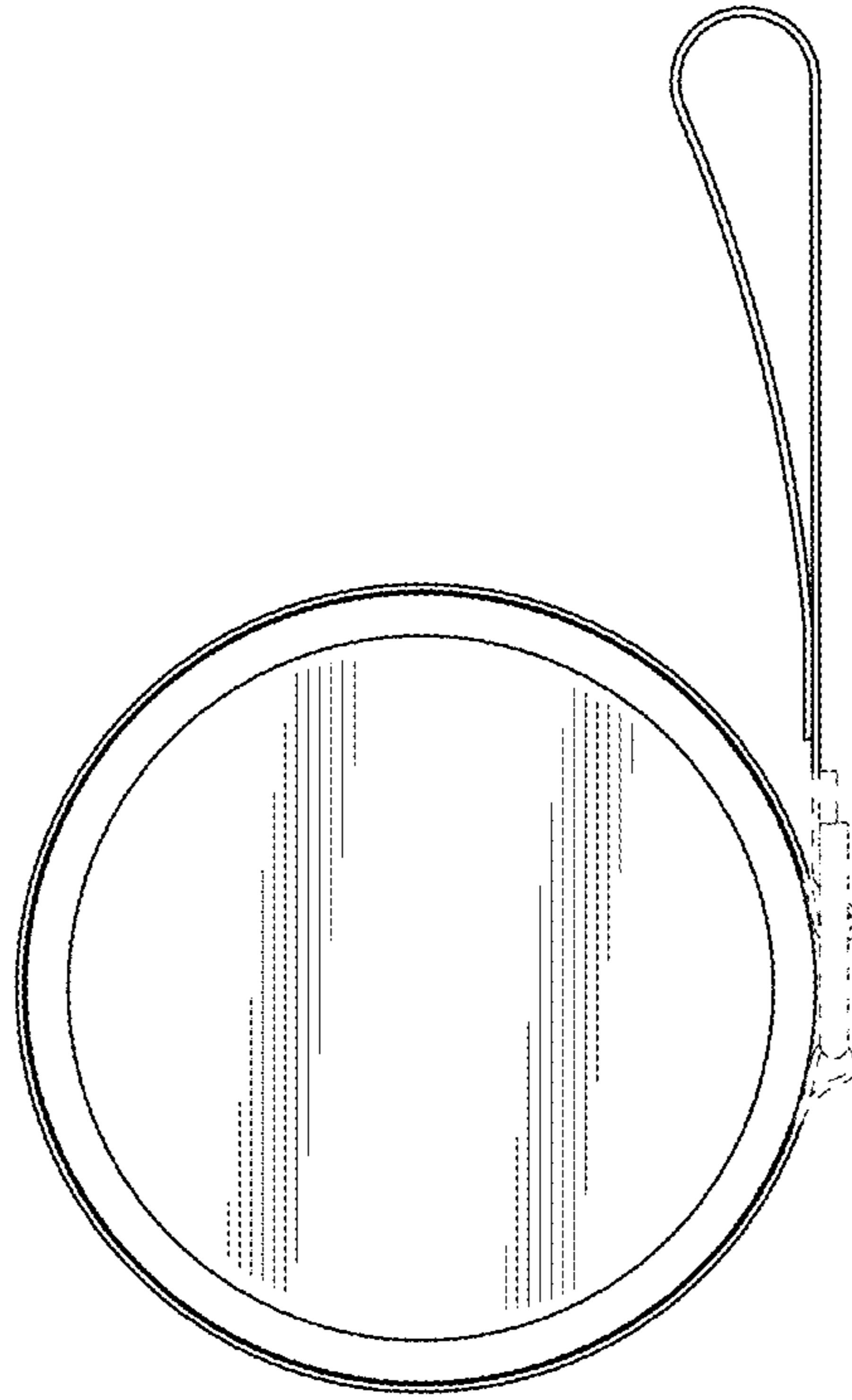


FIG. 6

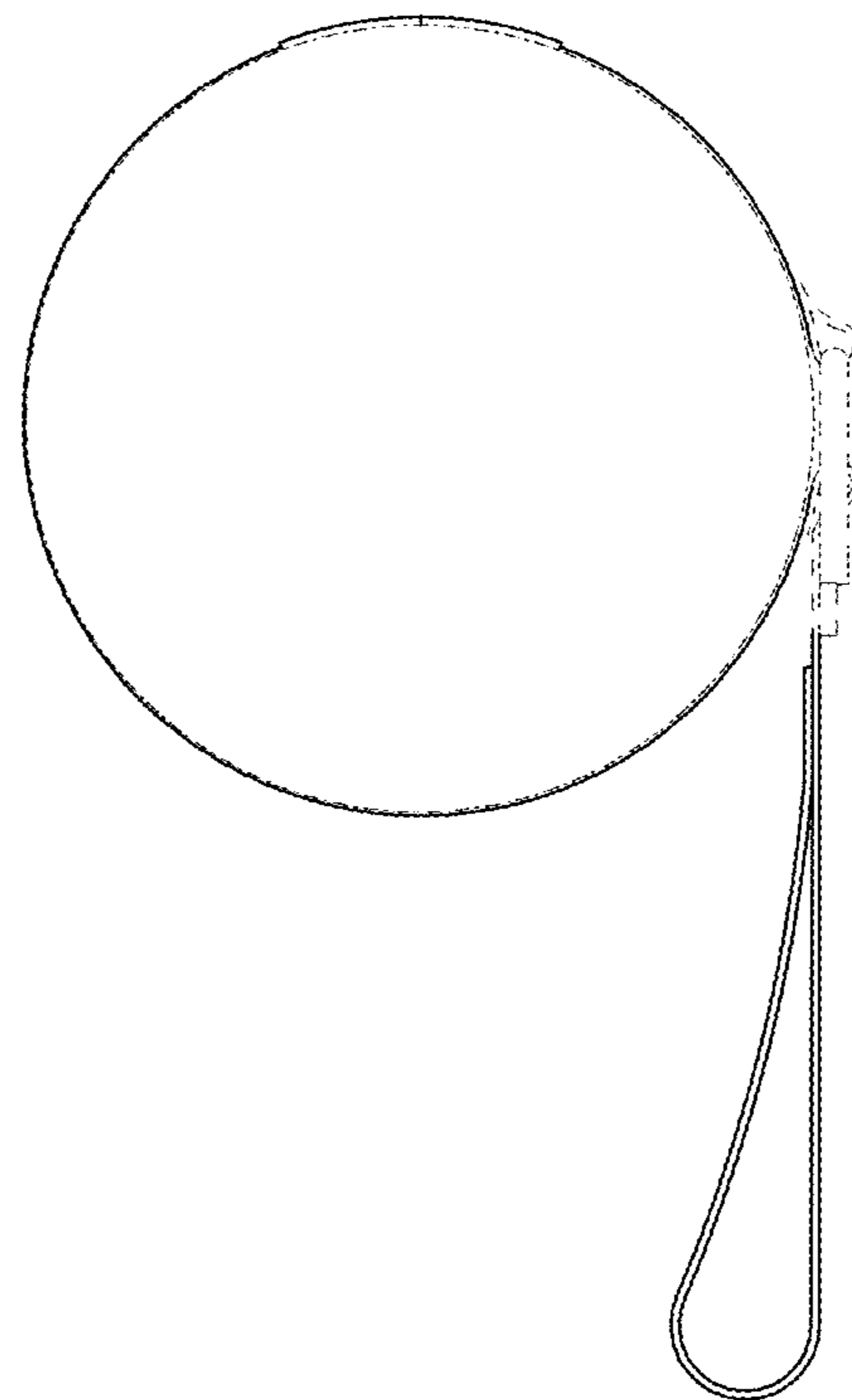


FIG. 7