



US00D809378S

(12) **United States Design Patent** (10) **Patent No.:** **US D809,378 S**
Yang et al. (45) **Date of Patent:** **** *Feb. 6, 2018**

(54) **PACKAGE**

(71) Applicant: **3M INNOVATIVE PROPERTIES COMPANY**, St. Paul, MN (US)

(72) Inventors: **Yinghua Yang**, Shanghai (CN); **Ran Tao**, Shanghai (CN)

(73) Assignee: **3M INNOVATIVE PROPERTIES COMPANY**, St. Paul, MN (US)

D418,370 S *	1/2000	Wilson	D7/524
D427,005 S *	6/2000	Yee	D7/312
D438,461 S *	3/2001	Yamagishi	D9/415
D439,513 S *	3/2001	Teasdale	D9/415
D482,275 S *	11/2003	Kilduff	D9/415
D500,951 S *	1/2005	Tobolka	D9/710
D525,864 S *	8/2006	Hiolin	D9/415
D531,021 S *	10/2006	Ashby	D9/415
D535,554 S *	1/2007	Kent	D9/415
D589,292 S *	3/2009	Thurlow	D7/312
D598,280 S *	8/2009	Britt	D9/415
D616,296 S *	5/2010	Britt	D9/415

(Continued)

(*) Notice: This patent is subject to a terminal disclaimer.

FOREIGN PATENT DOCUMENTS

(**) Term: **15 Years**

CN	201049797	4/2008
CN	301935345	5/2012

(Continued)

(21) Appl. No.: **29/572,708**

(22) Filed: **Jul. 29, 2016**

(51) **LOC (11) Cl.** **09-03**

(52) **U.S. Cl.**

USPC **D9/415; D7/312**

(58) **Field of Classification Search**

USPC D9/414-415, 418, 420-422, 424-426,
D9/431-433, 470, 658, 686-699,
D9/702-722, 740, 752, 756; D7/301,
D7/312, 321, 524

CPC B65D 75/30; B65D 31/02; B65D 75/366;
B65D 75/3051; B65D 75/305; B65D
75/36; B65D 75/5833; B65D 75/5844;
B65D 25/54; B65D 5/4204; B65D 17/12;
B65D 43/161; B65D 77/042

See application file for complete search history.

(56) **References Cited**

U.S. PATENT DOCUMENTS

D368,428 S *	4/1996	Croft	D9/707
D371,714 S *	7/1996	Lewis	D7/316
5,549,944 A *	8/1996	Abate	B65D 31/02
			206/524.8
D418,015 S *	12/1999	Santini	D7/513

Primary Examiner — Caron D Veynar

Assistant Examiner — Mehri F Bajoul

(74) Attorney, Agent, or Firm — Irina Hass

(57) **CLAIM**

The ornamental design for a package, as shown and described.

DESCRIPTION

FIG. 1 is a perspective view showing the new design for a package;

FIG. 2 is a front view thereof;

FIG. 3 is a rear view thereof;

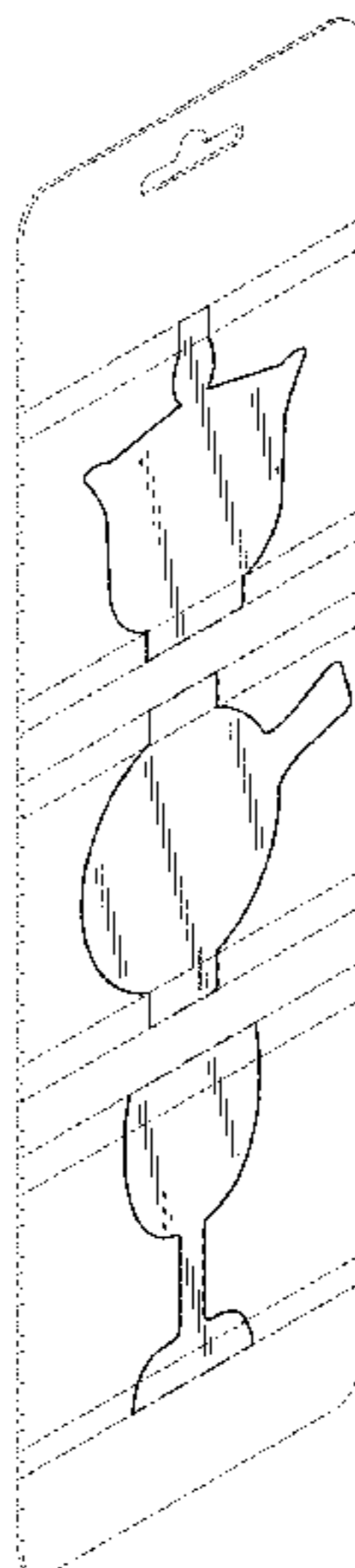
FIG. 4 is a left side view thereof, a right side view being a mirror image thereof;

FIG. 5 is a top view thereof, a bottom view being a mirror image thereof; and,

FIG. 6 is a front view thereof.

The portions of the package in FIGS. 1-6 shown in broken lines are included to show features that form no part of the claimed design. In the drawings, the dash-dot-dash lines represent boundaries of the claim.

1 Claim, 3 Drawing Sheets



(56)

References Cited

U.S. PATENT DOCUMENTS

D623,538	S *	9/2010	Kesselman	D9/711
D623,948	S *	9/2010	Levy	D9/415
D691,492	S *	10/2013	Rathbone	D9/711
D693,961	S *	11/2013	Fish	D27/100
D697,312	S *	1/2014	Yao	D4/122
D712,735	S *	9/2014	McCracken	D9/430
D716,647	S *	11/2014	Mizuno	D9/415
D721,135	S *	1/2015	Harvey Pennaz	D20/22
D732,670	S *	6/2015	Dwyer	D24/162
D736,613	S *	8/2015	Bowman	B65D 73/0064
					D9/415
D752,923	S *	4/2016	Lee	A45F 3/20
					D7/524
D757,534	S *	5/2016	Matsuura	D9/415
D763,675	S *	8/2016	McDonald	D9/415
D776,981	S *	1/2017	Eberhard	D7/300.2
D784,803	S *	4/2017	Cataudella	D9/415
D787,271	S *	5/2017	Eberhard	D7/524
2007/0224312	A1 *	9/2007	Aldridge	B65D 75/30
					426/5

FOREIGN PATENT DOCUMENTS

CN	203341613	12/2013
CN	302894175	7/2014
CN	302894178	7/2014
CN	303157681	4/2015
CN	204654853	9/2015
CN	303464560	11/2015

* cited by examiner

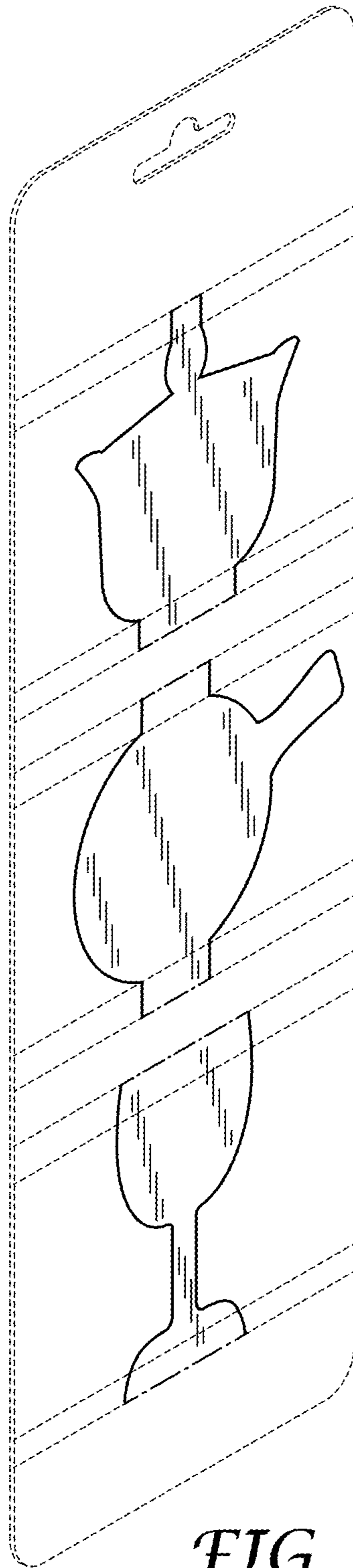


FIG. 1

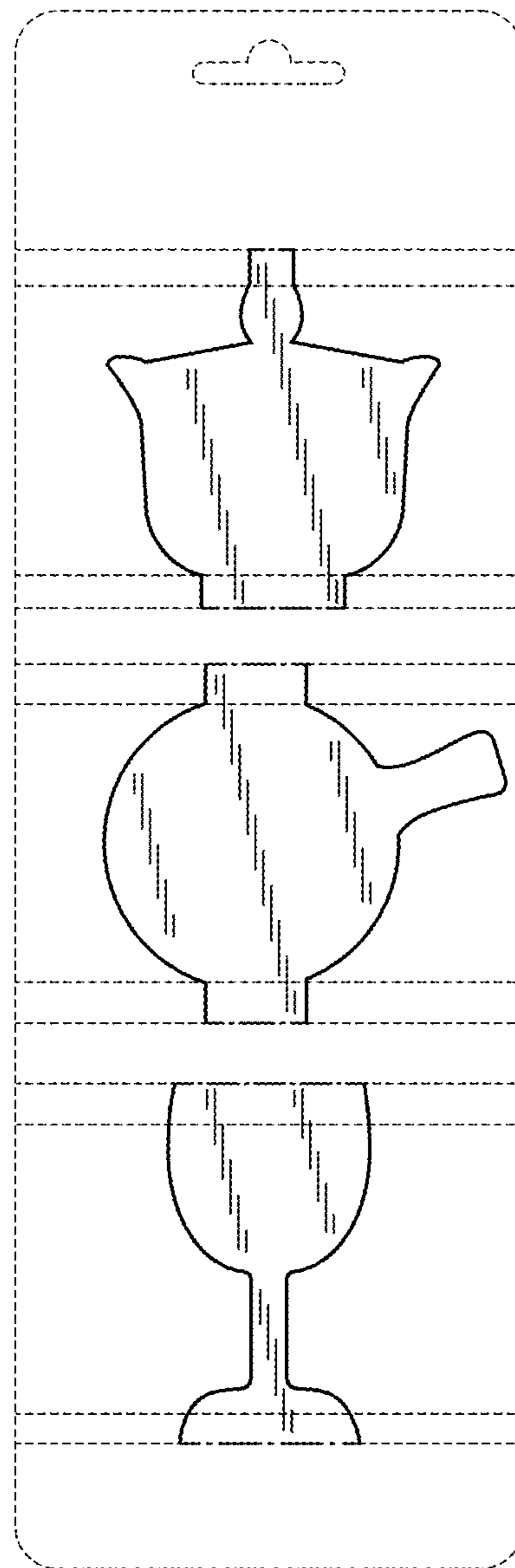


FIG. 2

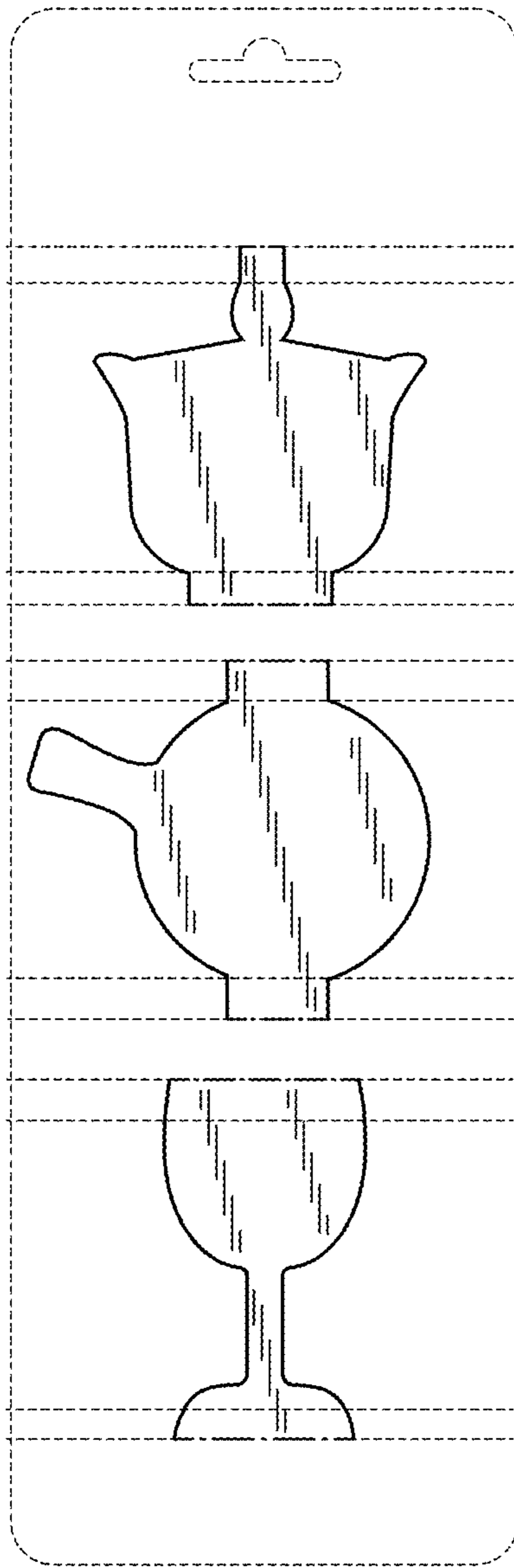


FIG. 3



FIG. 4

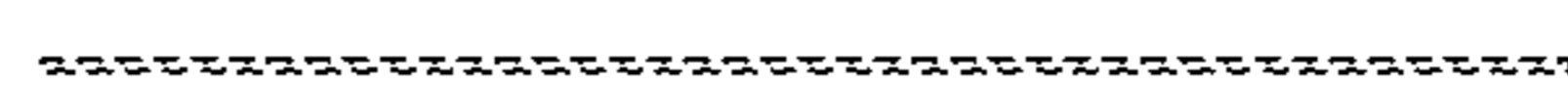


FIG. 5

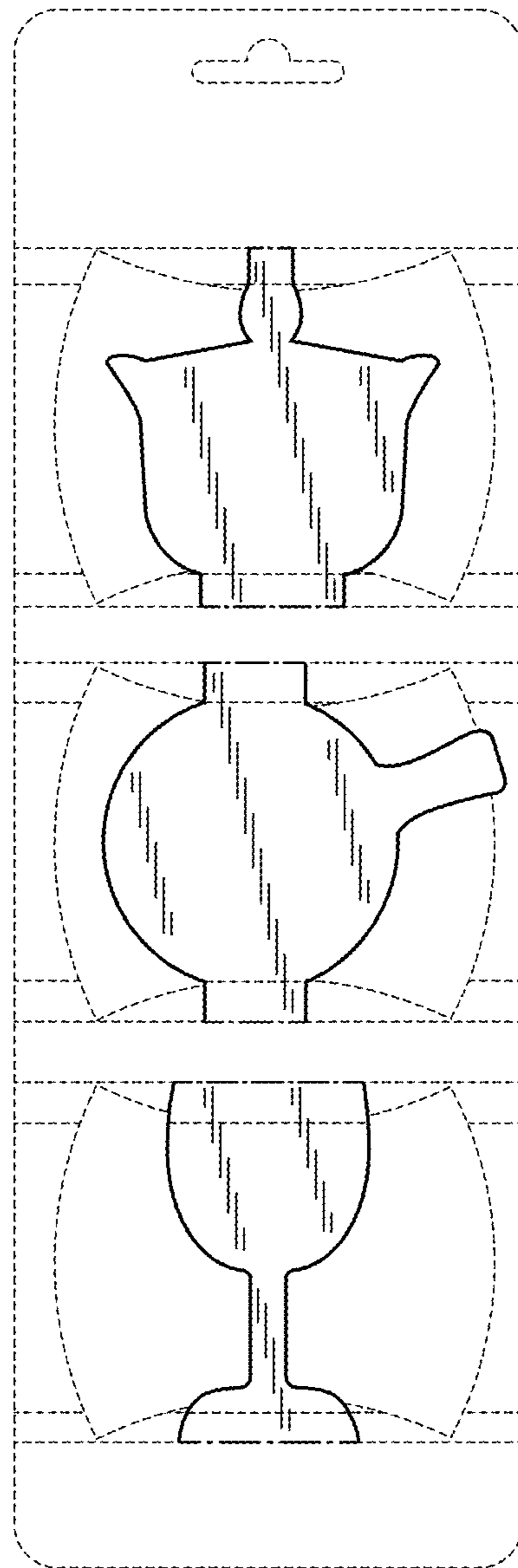


FIG. 6