



US00D809376S

(12) **United States Design Patent** (10) **Patent No.:** **US D809,376 S**  
**Huang** (45) **Date of Patent:** **\*\* Feb. 6, 2018**

(54) **EIGHT SPOKE LUG NUT COVER**  
(71) Applicant: **Nan Huang Huang**, Rancho Palos Verdes, CA (US)  
(72) Inventor: **Nan Huang Huang**, Rancho Palos Verdes, CA (US)  
(73) Assignee: **Grand General Accessories Manufacturing**, Rancho Dominguez, CA (US)  
(\*\*) Term: **15 Years**  
(21) Appl. No.: **29/584,557**  
(22) Filed: **Nov. 15, 2016**  
(51) **LOC (11) Cl.** ..... **08-08**  
(52) **U.S. Cl.**  
USPC ..... **D8/397**  
(58) **Field of Classification Search**  
USPC ..... D8/397, 394, 382, 349  
CPC ... E04G 25/065; F16B 41/002; F16B 23/0061  
See application file for complete search history.

D507,166 S \* 7/2005 Chen ..... D8/68  
D510,259 S \* 10/2005 Yoshimoto ..... D8/397  
D513,380 S \* 1/2006 Bruni ..... D8/397  
D590,243 S \* 4/2009 Bush ..... D8/397  
D625,990 S \* 10/2010 Lin ..... D12/213  
8,007,216 B2 \* 8/2011 Ross ..... F16B 37/122  
156/73.1  
8,016,535 B1 \* 9/2011 Roberts ..... F16B 41/005  
411/373  
D713,714 S \* 9/2014 Kishida ..... D8/397  
D746,129 S \* 12/2015 Kishida ..... D8/399  
D780,562 S \* 3/2017 Baiz ..... D8/387  
D781,691 S \* 3/2017 Baiz ..... D8/387  
D786,056 S \* 5/2017 Baiz ..... D8/387  
D787,924 S \* 5/2017 Baiz ..... D8/387  
D796,310 S \* 9/2017 Baiz ..... D8/397  
2002/0098059 A1 \* 7/2002 Schmidt ..... F16B 37/14  
411/399

(Continued)

*Primary Examiner* — Cynthia Underwood  
(74) *Attorney, Agent, or Firm* — Thomas I. Rozsa

(57) **CLAIM**

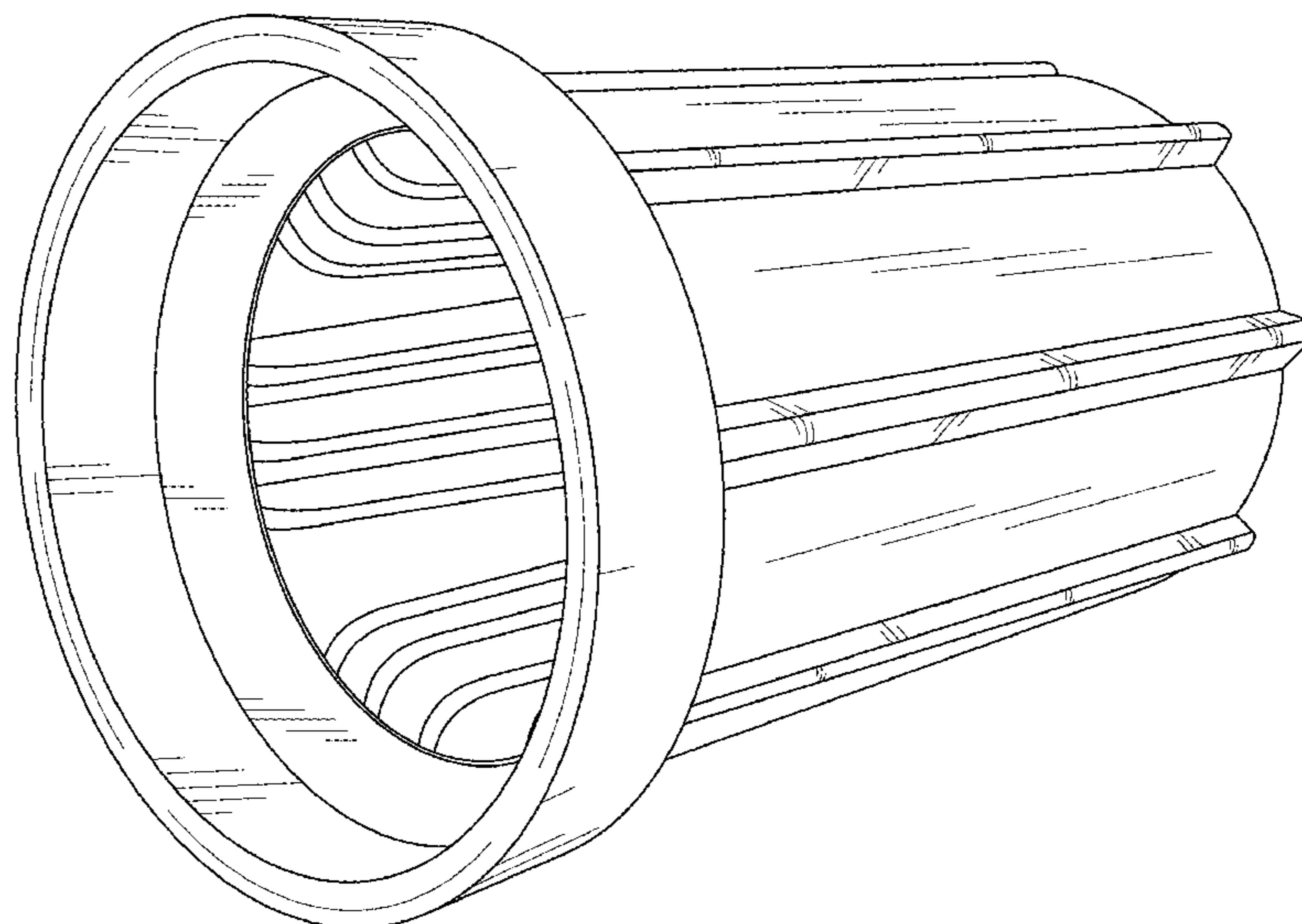
The ornamental design for a eight spoke lug nut cover, as shown and described.

**DESCRIPTION**

FIG. 1 is a rear side perspective view of a first embodiment of the eight spoke lug nut cover, showing my new design; FIG. 2 is a front side perspective view thereof; FIG. 3 is a front view thereof; FIG. 4 is a rear view thereof; FIG. 5 is a left side view thereof; FIG. 6 is a right side view thereof; FIG. 7 is a top view thereof; FIG. 8 is a bottom view thereof; FIG. 9 is a rear perspective view of a second embodiment of the eight spoke lug nut cover; and, FIG. 10 is a bottom view thereof.

**1 Claim, 10 Drawing Sheets**

(56) **References Cited**  
U.S. PATENT DOCUMENTS  
D223,231 S \* 4/1972 Miller ..... D8/385  
D243,154 S \* 1/1977 Dieme ..... D8/387  
D268,565 S \* 4/1983 Mortus ..... D8/397  
4,406,140 A \* 9/1983 Wolter ..... F16B 41/005  
70/231  
4,420,848 A \* 12/1983 Becker ..... B23K 11/002  
470/22  
4,850,776 A \* 7/1989 Toth ..... B23K 11/14  
411/376  
5,302,069 A \* 4/1994 Toth ..... B60B 7/00  
411/373  
D484,785 S \* 1/2004 Plumer ..... D8/397  
D488,715 S \* 4/2004 Plumer ..... D8/397



(56)

**References Cited**

U.S. PATENT DOCUMENTS

2013/0071204 A1\* 3/2013 Hunter ..... F16B 37/14  
411/373

\* cited by examiner

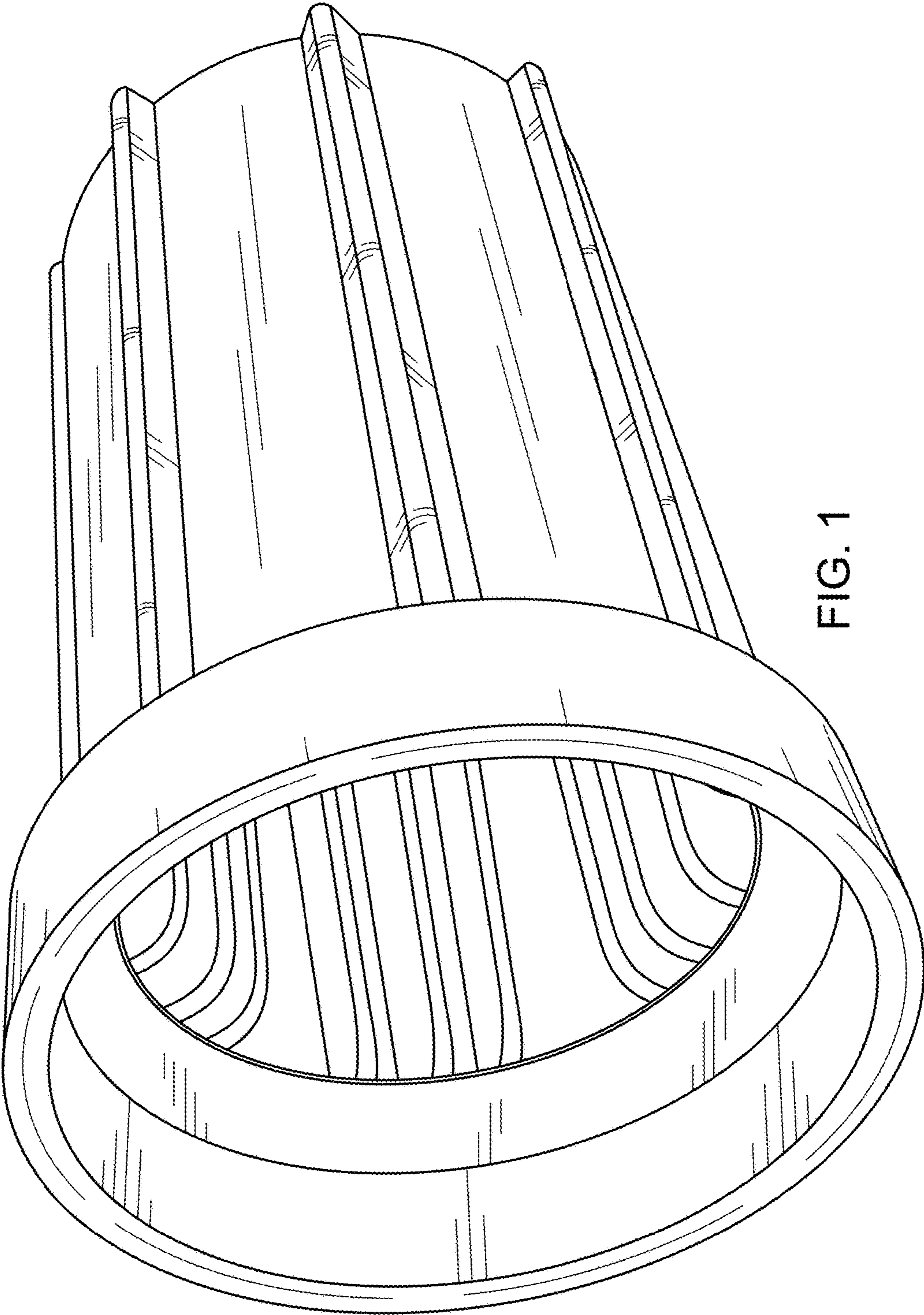


FIG. 1

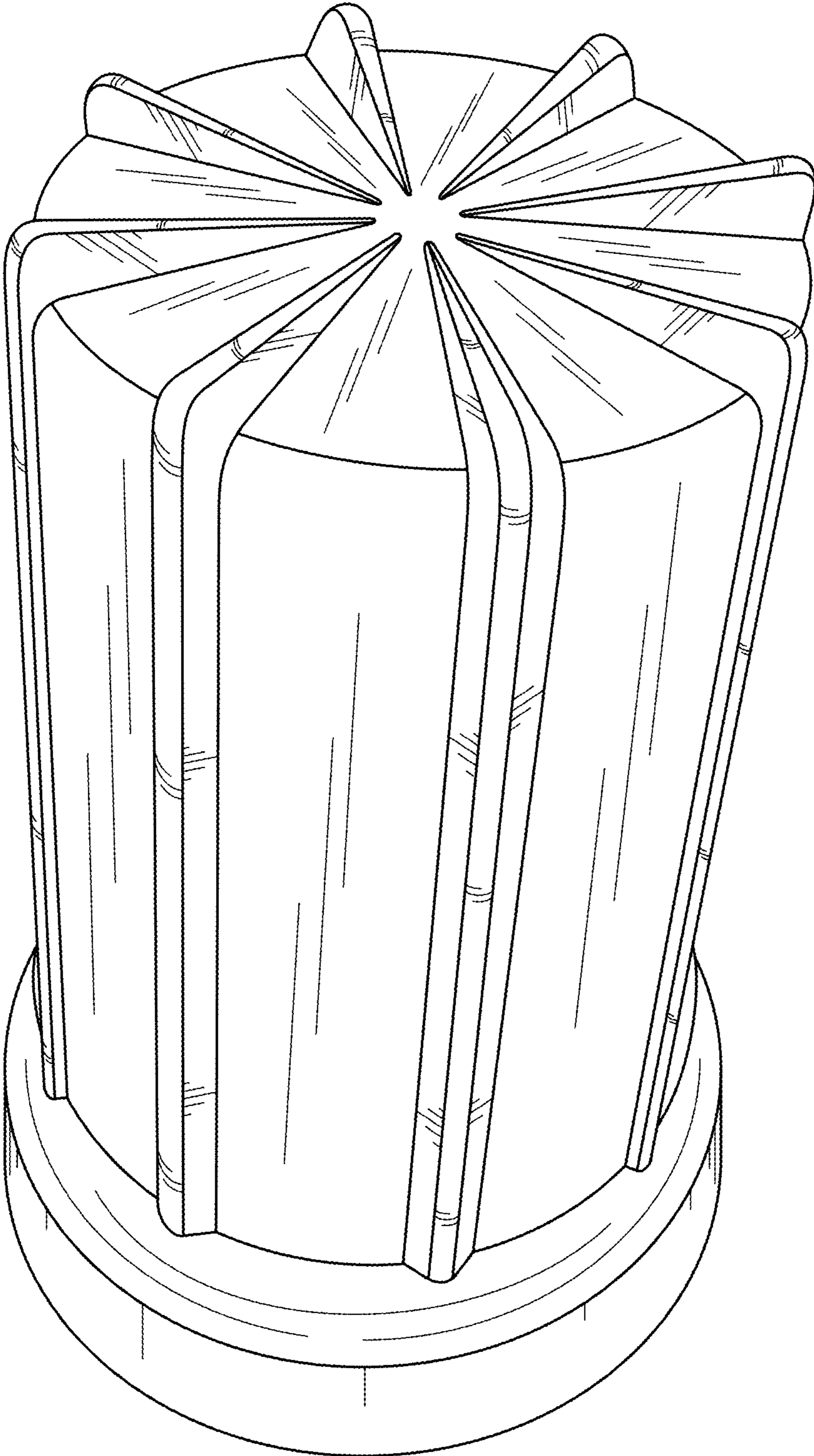


FIG. 2

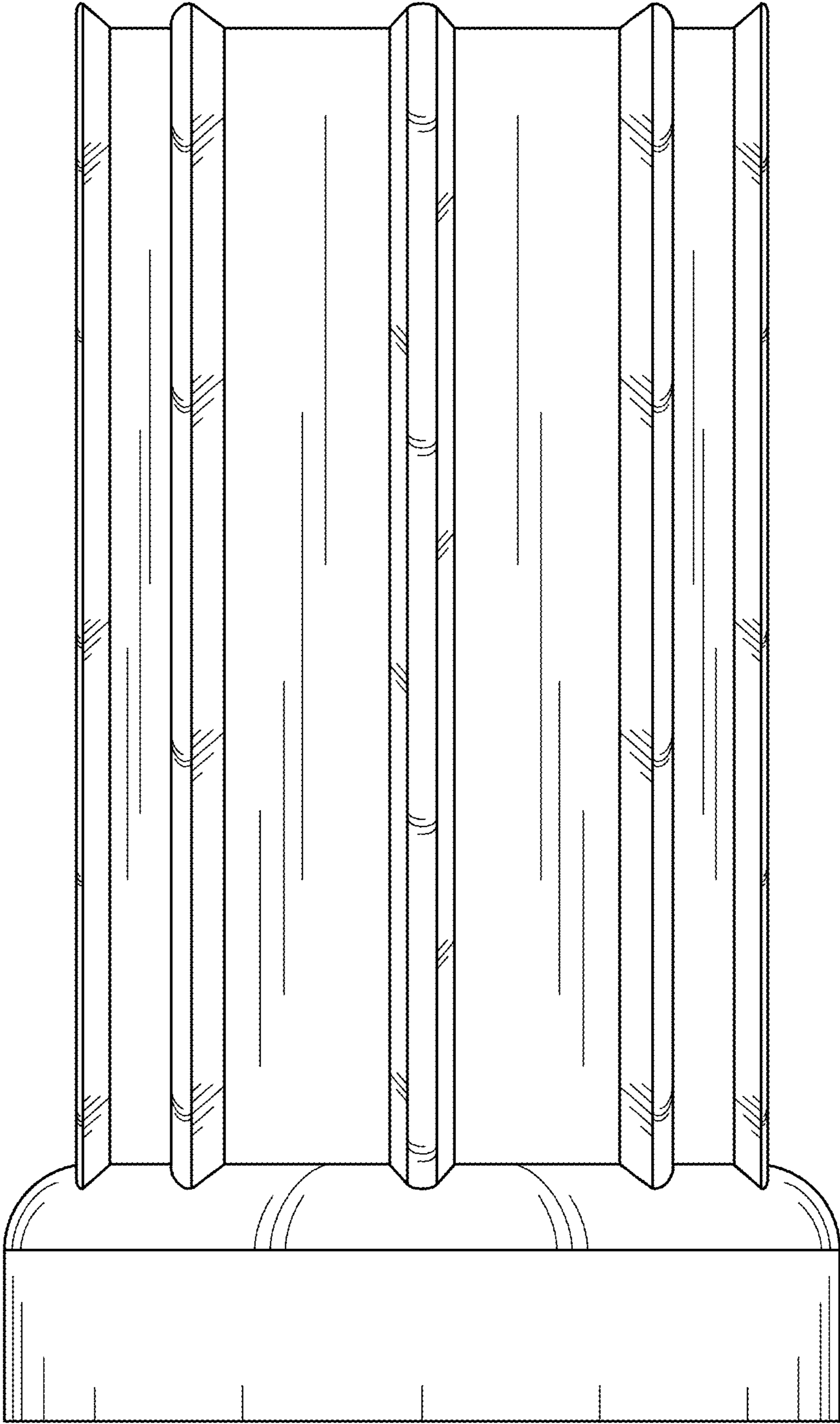


FIG. 3

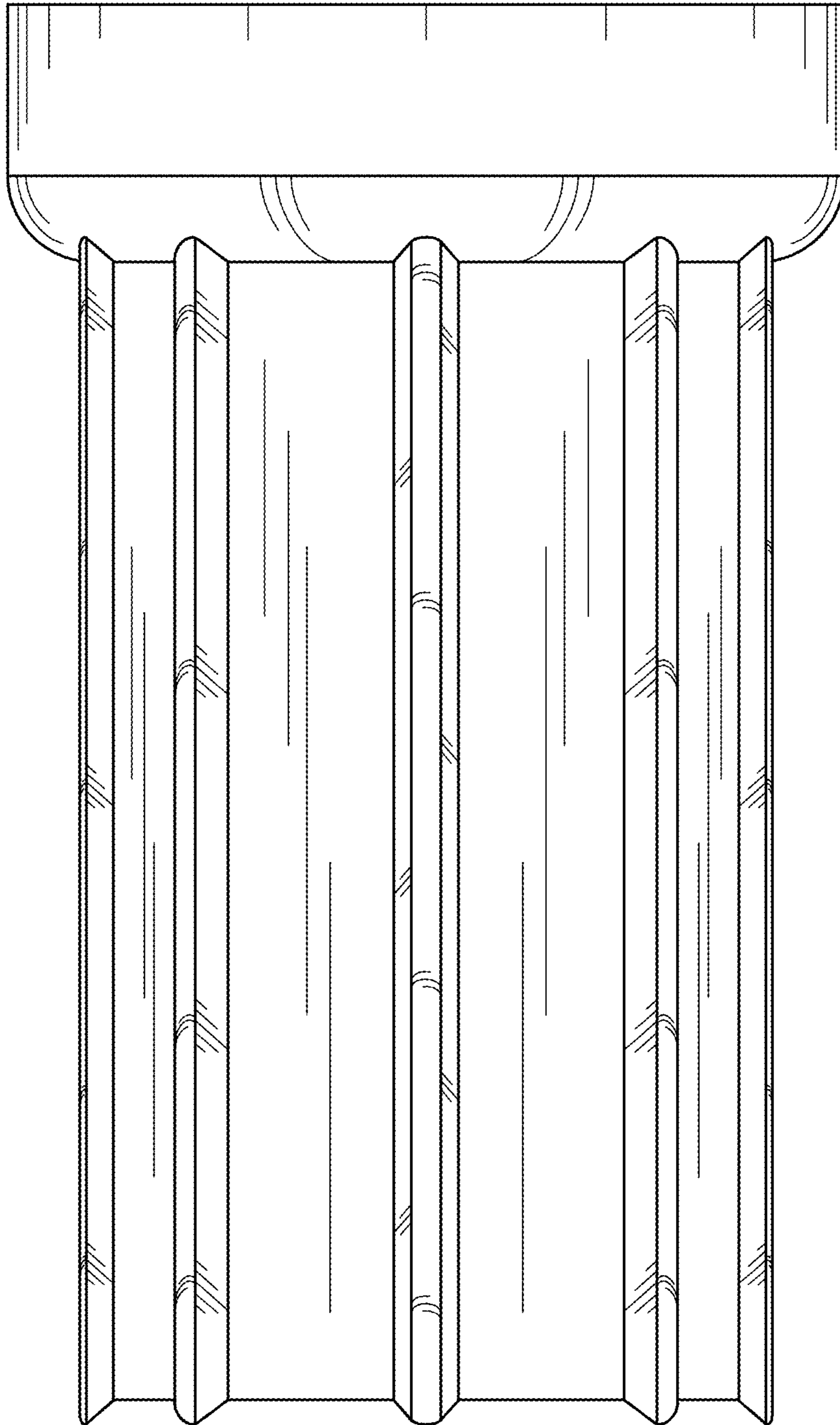


FIG. 4

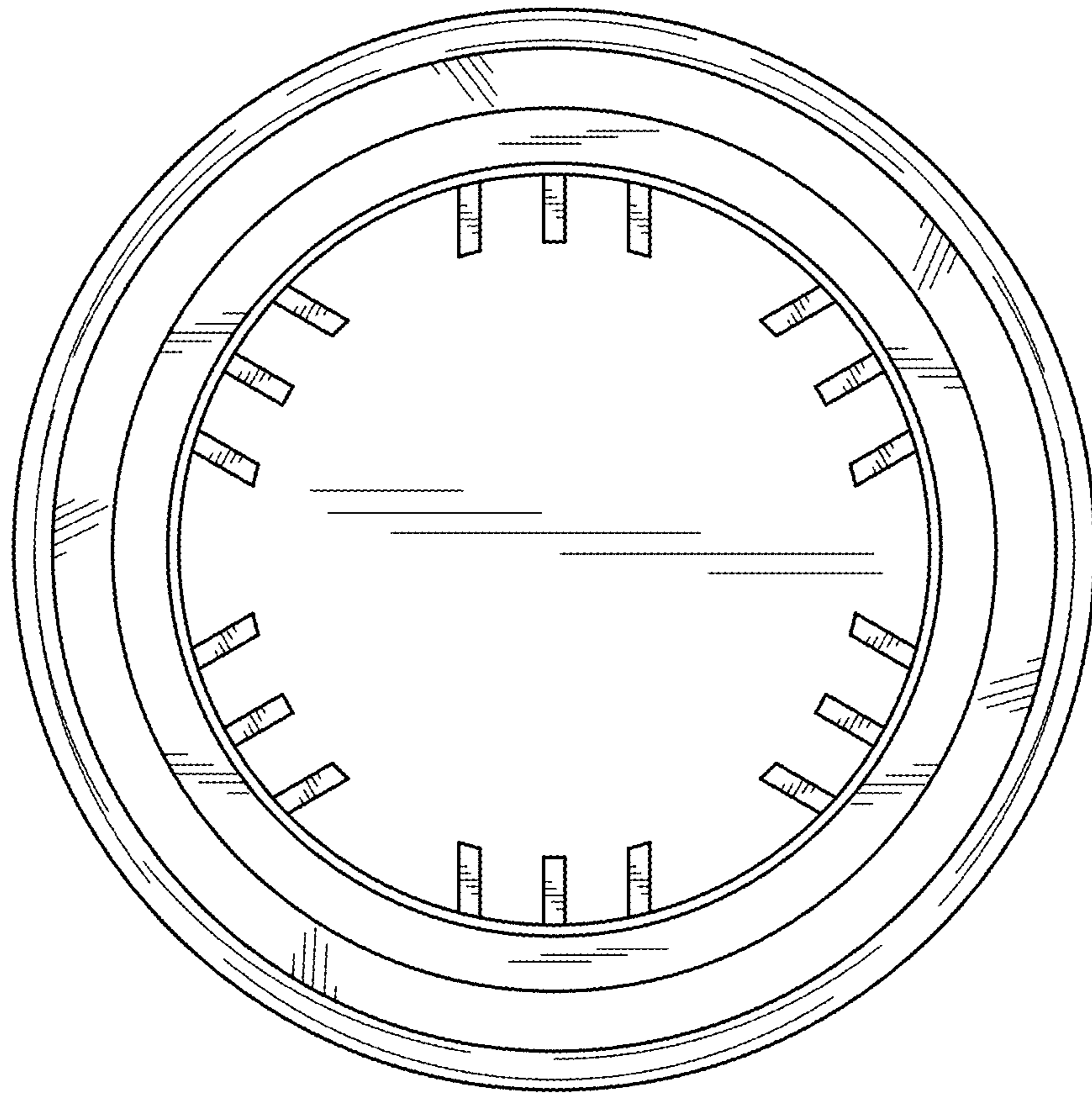


FIG. 5

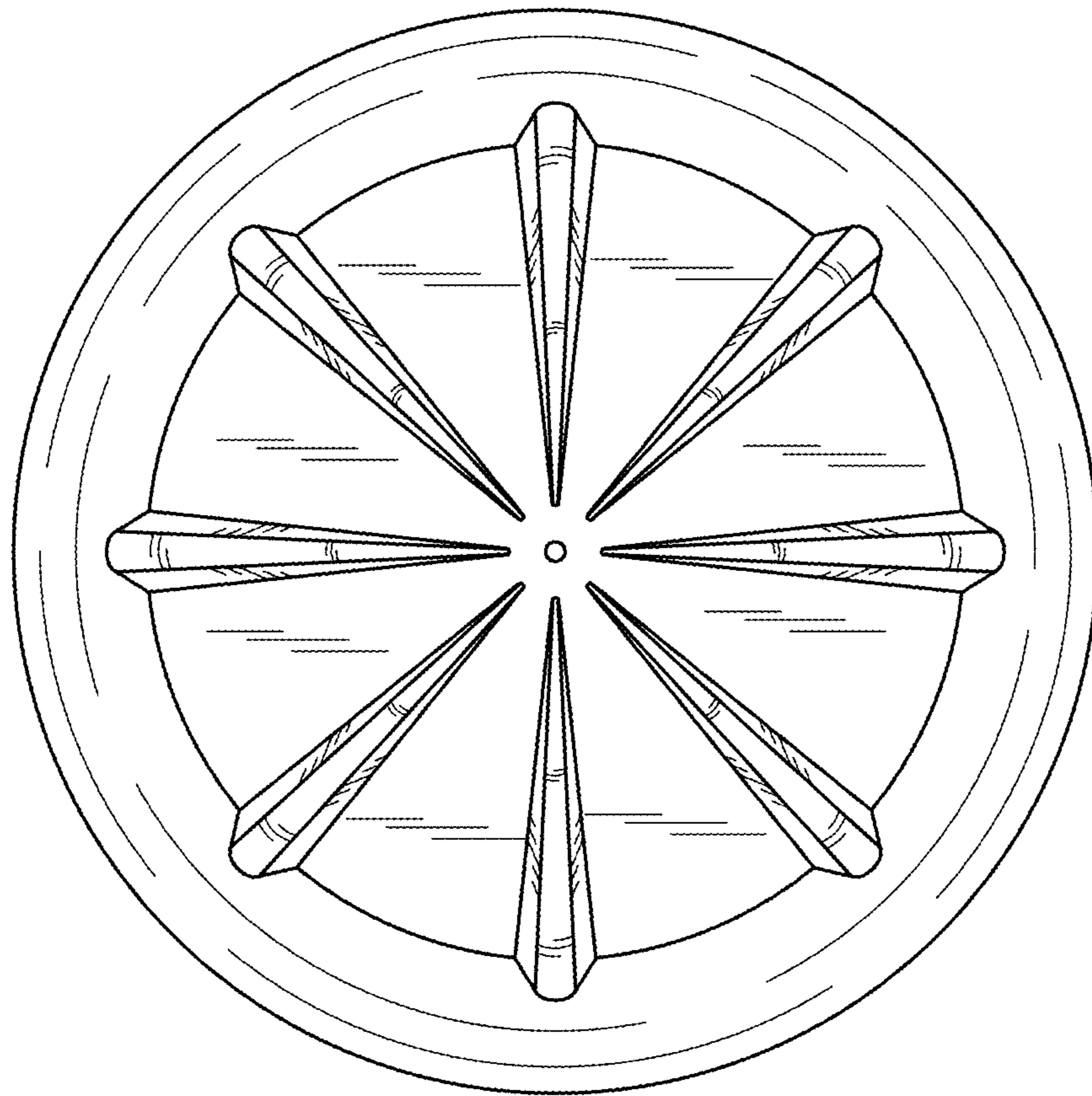


FIG. 6



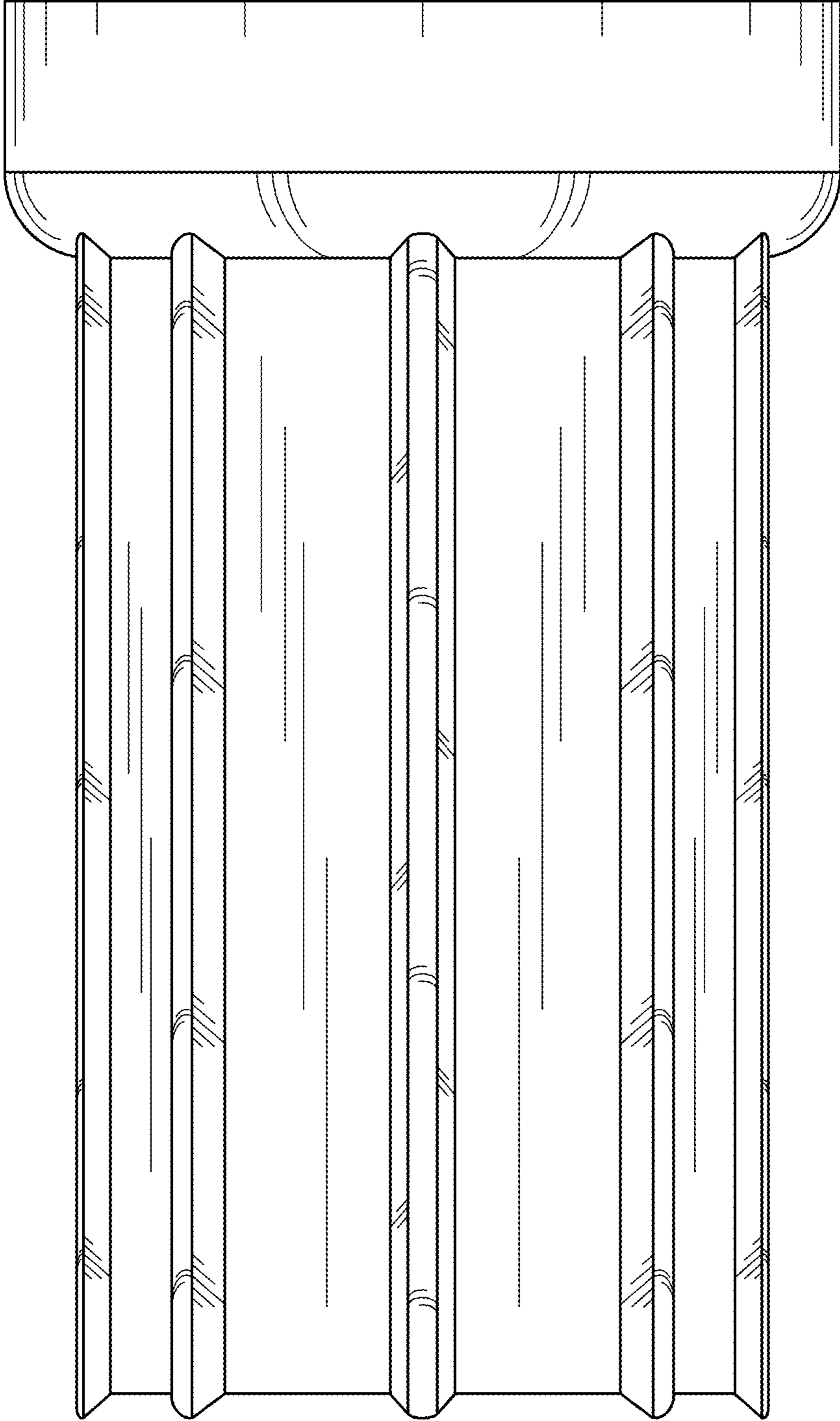


FIG. 7

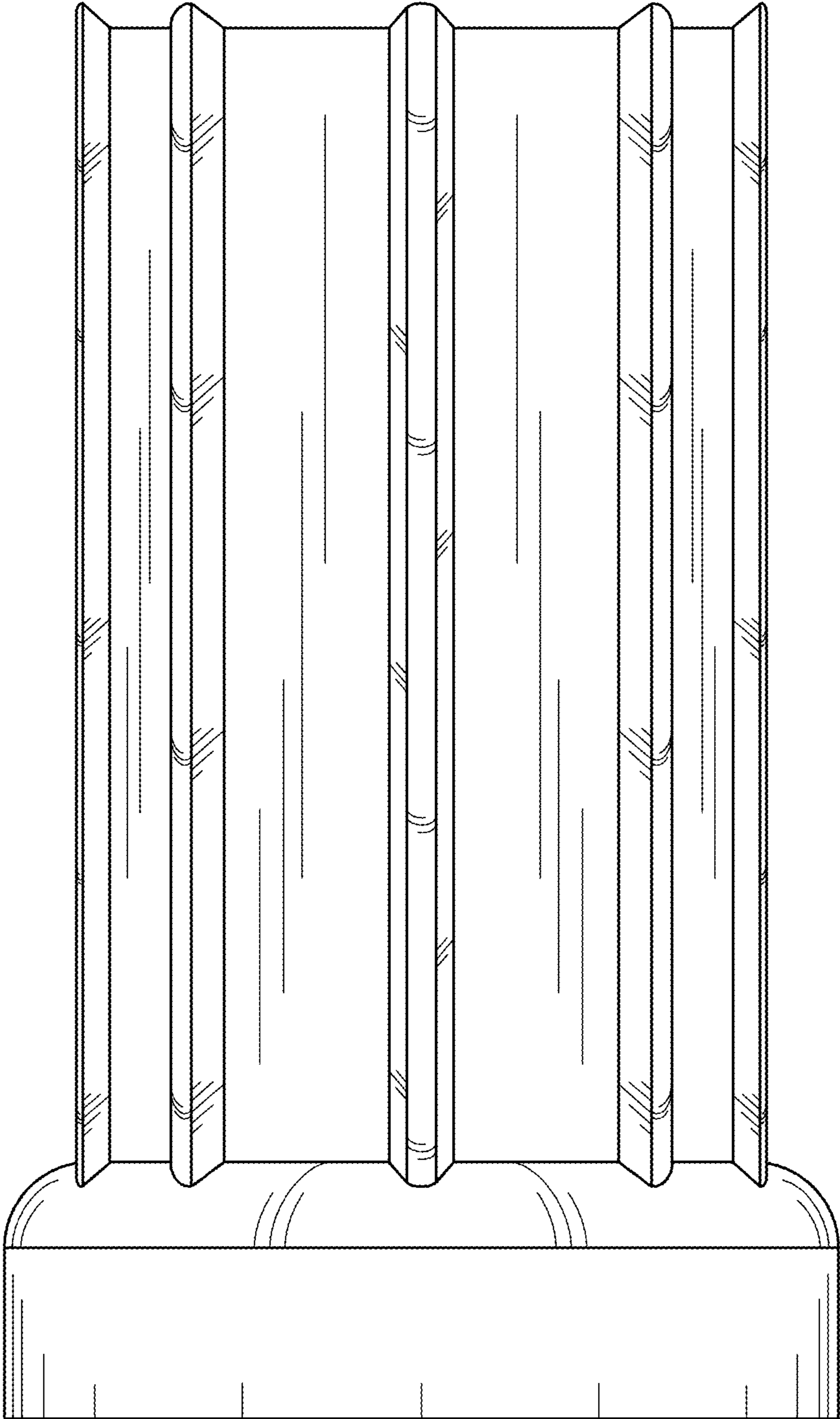


FIG. 8

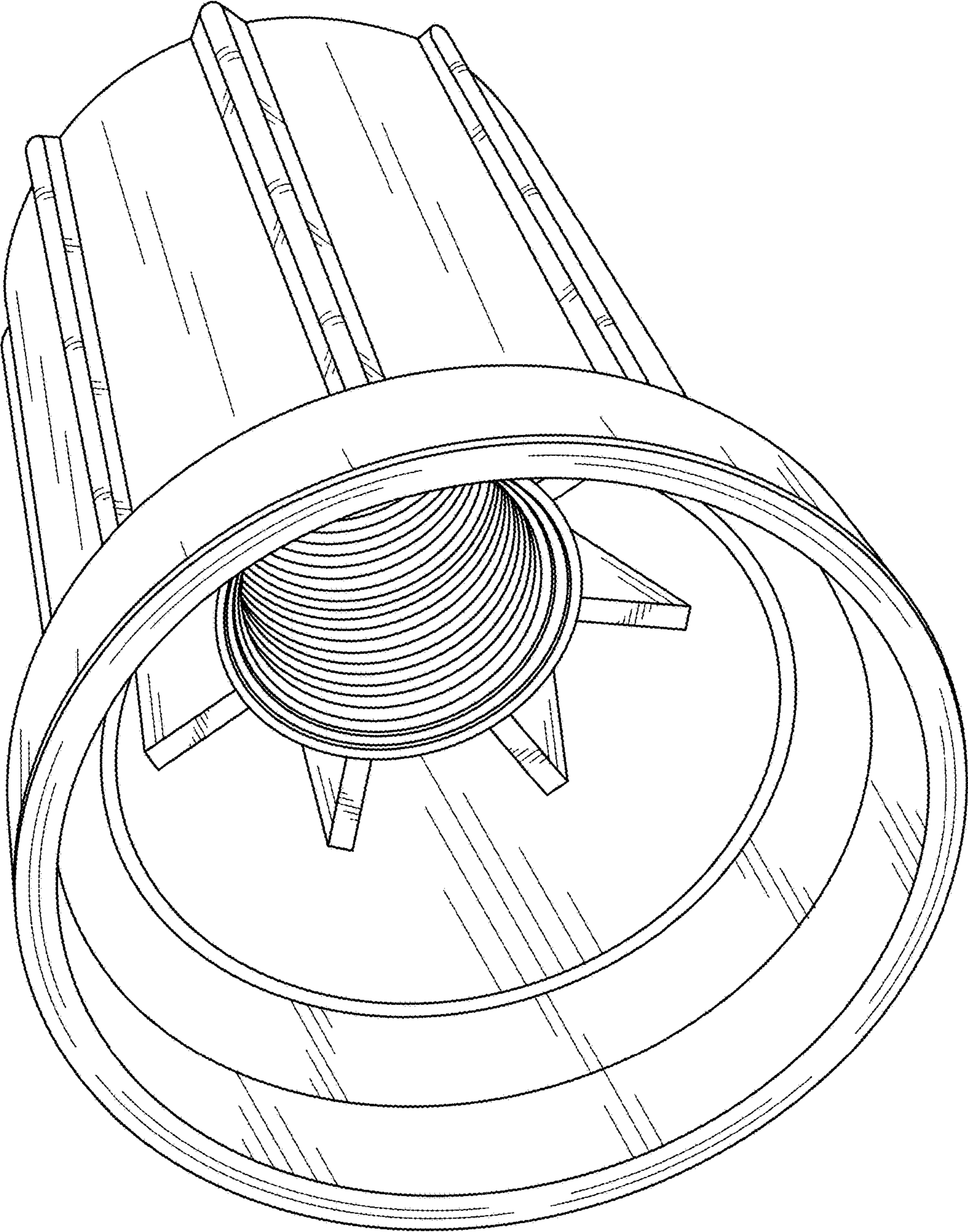


FIG. 9

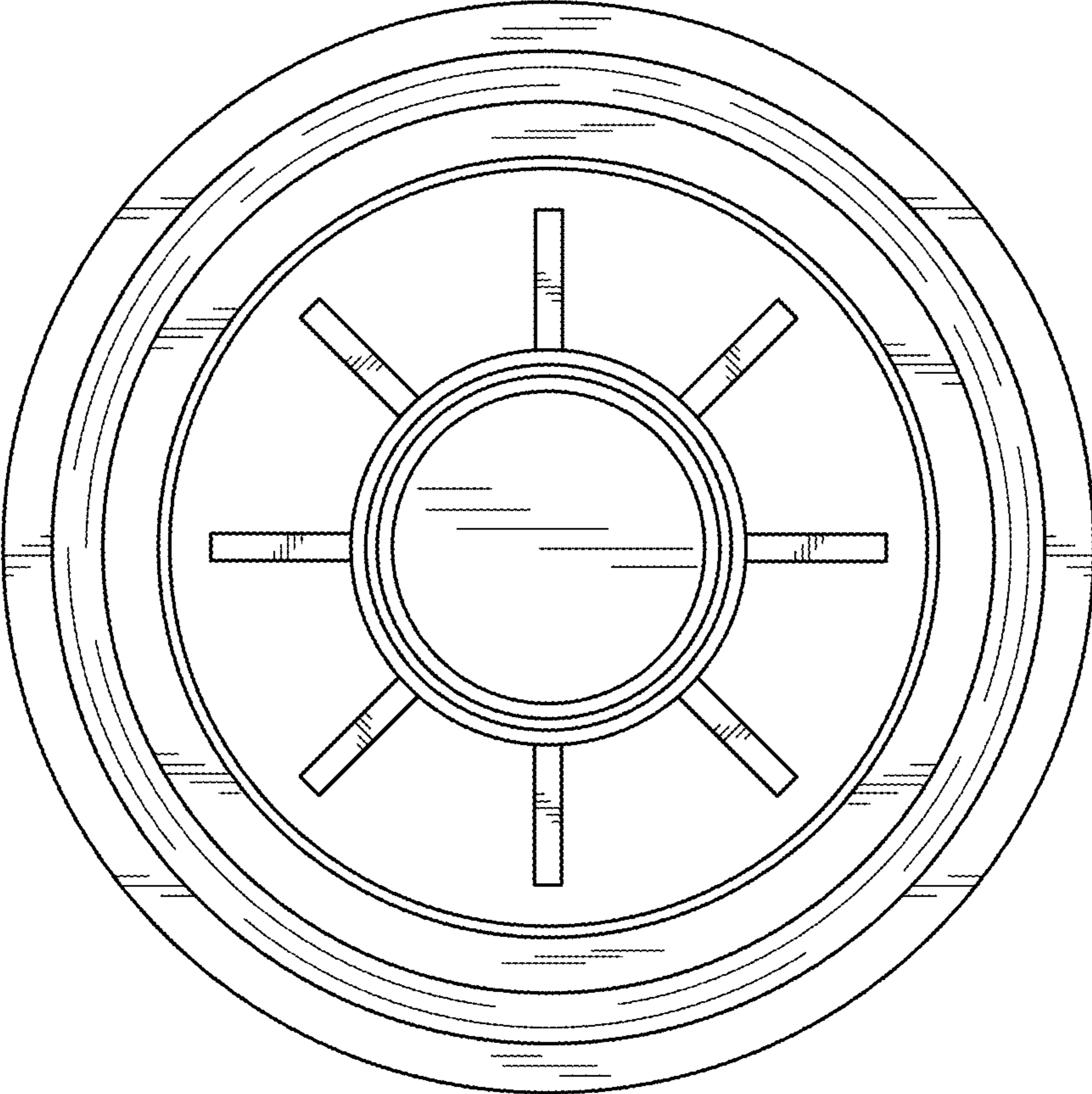


FIG. 10