



US00D809373S

(12) **United States Design Patent** (10) **Patent No.:** **US D809,373 S**  
**Lomax et al.** (45) **Date of Patent:** **\*\* Feb. 6, 2018**

(54) **IDENTIFICATION TAG HOLDER**

FOREIGN PATENT DOCUMENTS

(71) Applicant: **HellermannTyton Limited**, Manchester (GB)

CN 3607038 2/2007  
CN 301848670 2/2012

(Continued)

(72) Inventors: **Alan Lomax**, Manchester (GB);  
**Hannah Iles**, Manchester (GB)

OTHER PUBLICATIONS

(73) Assignee: **HellermannTyton Ltd**, Manchester (GB)

Color Cute Small People Cable Winder Wire organizers, website revise date Mar. 29, 2016, <http://www.ebay.com/itm/10pcs-Mix-Color-Cute-Small-People-Cable-Winder-Wire-organ...> site visited Mar. 23, 2017.\*

(\*\*) Term: **15 Years**

(Continued)

(21) Appl. No.: **29/546,424**

(22) Filed: **Nov. 23, 2015**

*Primary Examiner* — John Windmuller

*Assistant Examiner* — John R Yeh

(74) *Attorney, Agent, or Firm* — Troutman Sanders LLP;  
Ryan A. Schneider; Rusty Close, Jr.

**Related U.S. Application Data**

(57) **CLAIM**

(63) Continuation of application No. 29/481,418, filed on Feb. 5, 2014, now Pat. No. Des. 781,692.

The ornamental design for the identification tag holder, as shown and described.

(51) **LOC (11) Cl.** ..... **08-08**

**DESCRIPTION**

(52) **U.S. Cl.**  
USPC ..... **D8/394**

(58) **Field of Classification Search**  
USPC ..... D8/394, 396, 368, 330  
CPC ..... B42F 1/006; B65D 63/10; B65D 63/00;  
B65D 63/1063; B65D 63/1072; B65D  
63/1081; F16L 3/00  
See application file for complete search history.

FIG. 1 is a top partial perspective view of an identification tag holder according to the present invention;  
FIG. 2 is a front view of the identification tag holder of FIG. 1;  
FIG. 3 is a back view of the identification tag holder of FIG. 1;  
FIG. 4 is a side view of the identification tag holder of FIG. 1;  
FIG. 5 is the other side view of the identification tag holder of FIG. 1;  
FIG. 6 is a top view of the identification tag holder of FIG. 1; and,  
FIG. 7 is a bottom view of the identification tag holder of FIG. 1.

(56) **References Cited**

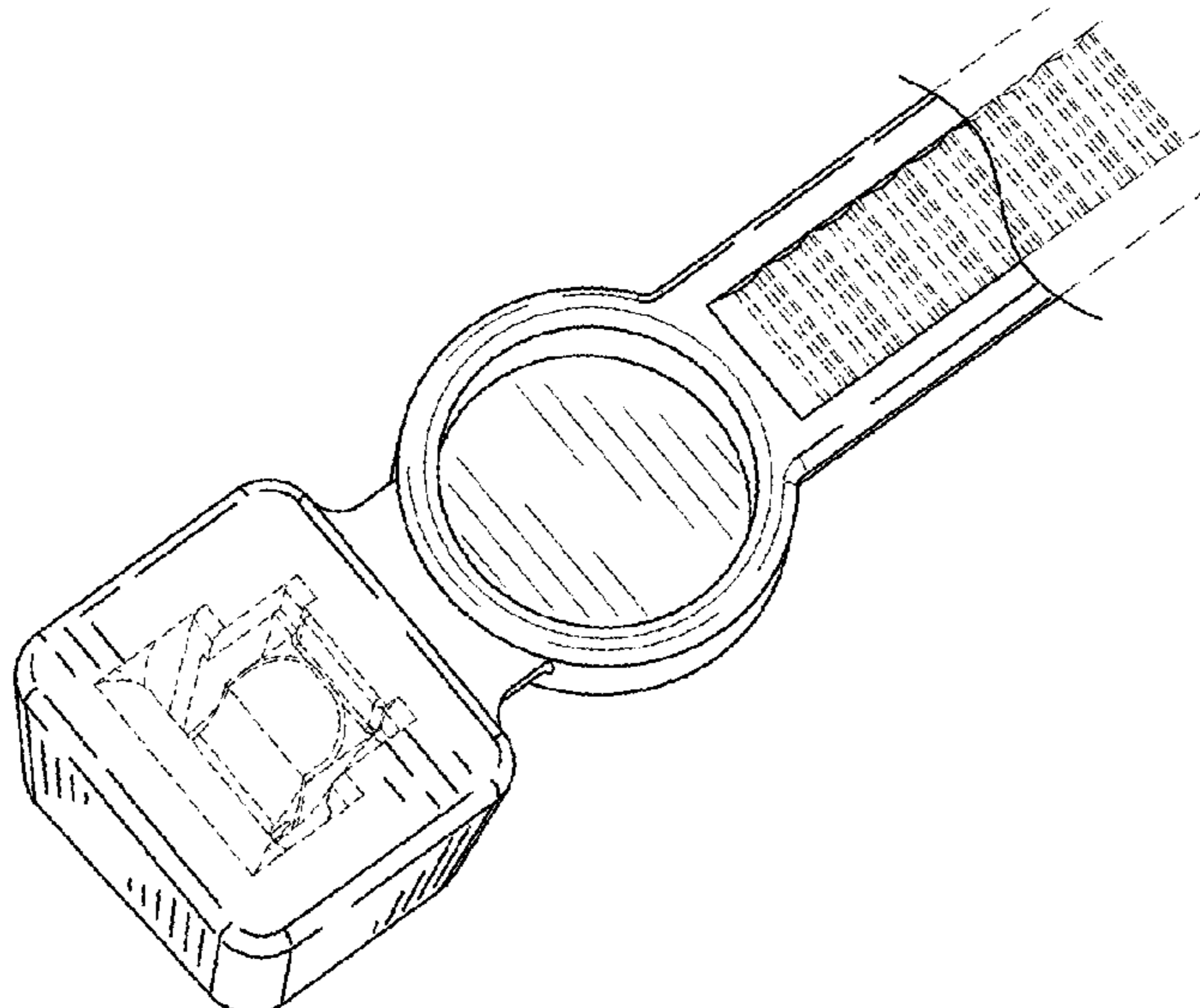
U.S. PATENT DOCUMENTS

2,936,980 A 5/1960 Rapata  
D189,259 S 11/1960 Hughes et al.  
3,556,575 A 1/1971 Farkas  
3,568,262 A 3/1971 Woldman  
3,588,963 A 6/1971 Moberg  
D222,128 S 10/1971 Schwartz

The broken lines in the figures represent portions of the identification tag holder which form no part of the claimed design.

(Continued)

**1 Claim, 2 Drawing Sheets**



(56)

References Cited

U.S. PATENT DOCUMENTS

3,618,173 A \* 11/1971 Schwartz ..... B65D 63/1081  
24/16 PB  
D222,878 S \* 1/1972 Schwartz ..... D8/394  
3,834,748 A 9/1974 Lonnee  
D234,473 S 3/1975 Ringle  
4,092,765 A 6/1978 Joyce  
4,272,900 A 6/1981 MacLarty  
4,470,173 A 9/1984 Adamson  
4,506,415 A 3/1985 Swift  
D294,485 S 3/1988 Johansson  
4,735,005 A 4/1988 McCormick  
D298,914 S \* 12/1988 Thomas ..... D8/373  
D326,406 S 5/1992 Anderson et al.  
5,201,100 A 4/1993 Cardinale  
5,241,982 A 9/1993 Taylor  
5,267,373 A 12/1993 Chisek  
D363,212 S \* 10/1995 Hill ..... D8/356  
5,575,713 A 11/1996 Benoit et al.  
D400,595 S 11/1998 Hyde  
D407,453 S 3/1999 Rashman  
5,915,629 A 6/1999 Ribeiro  
6,003,714 A \* 12/1999 Buermann ..... B65D 41/325  
137/384  
6,086,971 A 7/2000 Haas et al.  
6,186,451 B1 2/2001 Benoit  
D442,851 S 5/2001 Wilson  
D444,054 S 6/2001 Bernard et al.  
D488,374 S \* 4/2004 Hussaini ..... D8/396  
7,520,030 B2 4/2009 LaPorte  
7,934,297 B2 \* 5/2011 Williams ..... B65D 63/1072  
24/16 PB  
D698,632 S \* 2/2014 Wang ..... D8/383  
9,266,654 B1 \* 2/2016 Scott ..... B65D 63/1063  
9,321,571 B2 \* 4/2016 Griggio ..... B65D 63/1063  
D781,692 S \* 3/2017 Lomax ..... D8/394  
2003/0088948 A1 5/2003 Cook  
2003/0163904 A1 9/2003 O'Young et al.  
2004/0000082 A1 1/2004 Wolfgang  
2005/0151038 A1 7/2005 Packard et al.  
2006/0117532 A1 6/2006 Cooper et al.  
2006/0119111 A1 6/2006 De Lima Castro  
2009/0031603 A1 2/2009 Kitchen et al.  
2009/0172922 A1 \* 7/2009 Laporte ..... B65D 63/1063  
24/16 PB

2011/0308047 A1\* 12/2011 Kelly ..... B65D 63/1081  
24/16 PB  
2012/0042482 A1 2/2012 Koh  
2012/0131767 A1\* 5/2012 Zhang ..... B65D 63/1054  
24/16 PB  
2014/0290015 A1\* 10/2014 Barron ..... A43C 1/00  
24/712.4  
2016/0001945 A1\* 1/2016 Foreman ..... F16L 3/222  
29/525.03

FOREIGN PATENT DOCUMENTS

EM 000349857-0001 8/2005  
GB 3018191 \* 8/2004  
GB 4024721 \* 6/2012

OTHER PUBLICATIONS

Amazon.com: 4.0" Natural Nylon, Horizontal ID Tag Style Wire Ties, Review Date May 5, 2012, online, [http://www.amazon.com/Natural-Nylon-Horizontal-Style-Wire/dp/B0018SGU4S/ref=sr\\_1\\_2?ie=UTF8&qid=1439251728&sr=8-2](http://www.amazon.com/Natural-Nylon-Horizontal-Style-Wire/dp/B0018SGU4S/ref=sr_1_2?ie=UTF8&qid=1439251728&sr=8-2) &keywords=zip+tie+id+tag, [site visited Aug. 10, 2015, 8:11:29 PM].  
Cable Tie Labels | eBay, update 2016, <http://www.ebay.co.uk/bhp/cable-tie-labels>, [site visited Aug. 15, 2016, 7:24:47 PM].  
Cable Ties Information | IHS Engineering360, website copyright 2015, online, [http://www.globalspec.com/learnmore/electrical\\_electronic\\_components/wires\\_cables\\_accessories/cable\\_ties\\_wrap](http://www.globalspec.com/learnmore/electrical_electronic_components/wires_cables_accessories/cable_ties_wrap), [site visited Aug. 10, 2015, 8:21:21 PM].  
Jeep Cherokee Transmission Cooling Installation, website copyright 2016, online, [http://www.lunghd.com/Tech\\_Articles/Transmission\\_and\\_Transfer\\_Case/TransmissionCooler.htm](http://www.lunghd.com/Tech_Articles/Transmission_and_Transfer_Case/TransmissionCooler.htm), [site visited Aug. 15, 2016, 8:02:47 PM].  
Panduit Pan-Ty Cable Markers, ID Cables Ties, and Flag Ties, review date Jun. 22, 2012, online, <http://www.cableorganizer.com/panduit/pan-ty-marker-flag-ties.html>, [site visited Aug. 10, 2015, 8:18:20 PM].  
Unitag Clip-On Cable Labels—Fast and Easy Cable ID, oldest review Mar. 20, 2007, online, <http://www.cableorganizer.com/unitag/>, [site visited Aug. 10, 2015, 8:16:02 PM].

\* cited by examiner

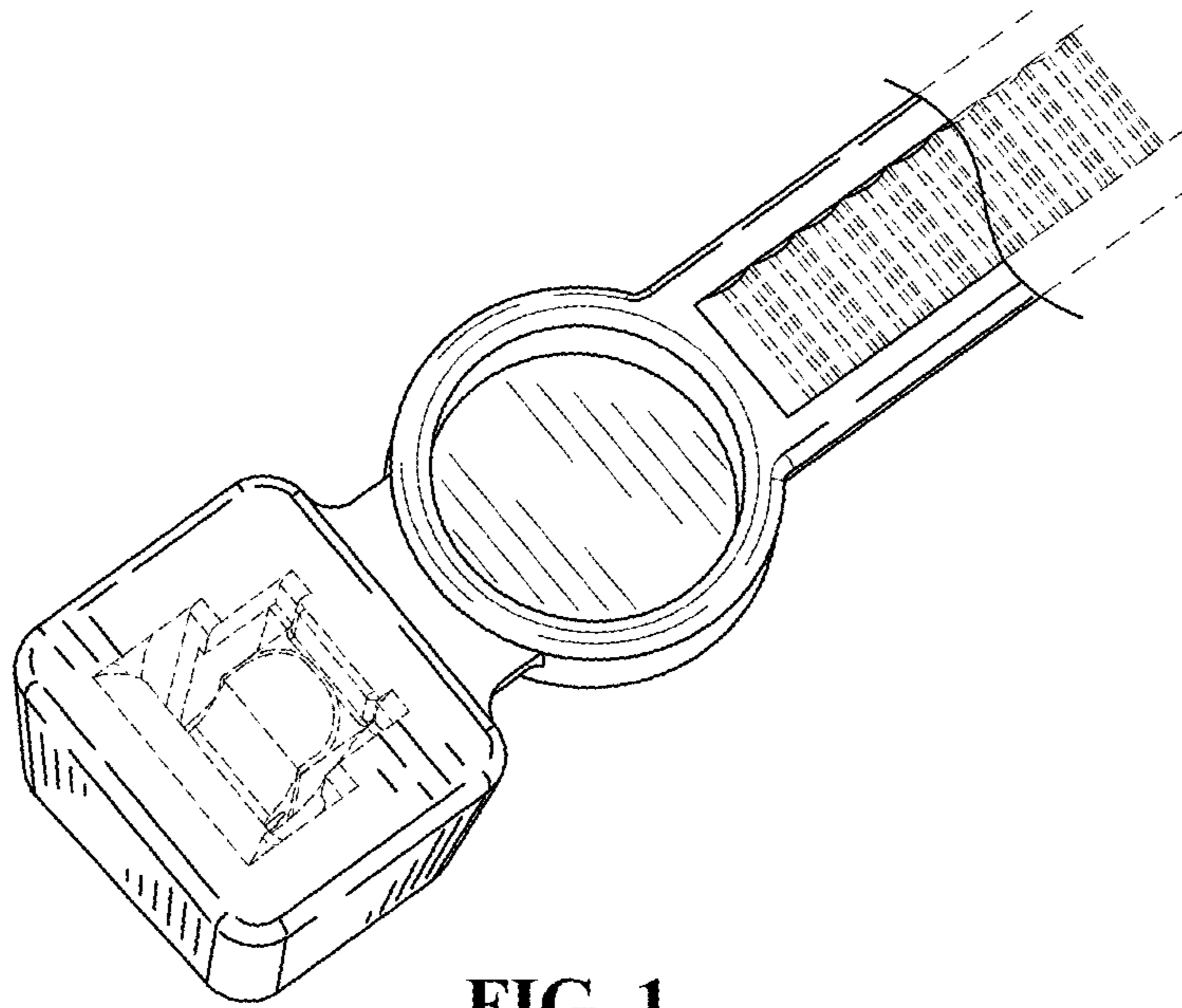


FIG. 1

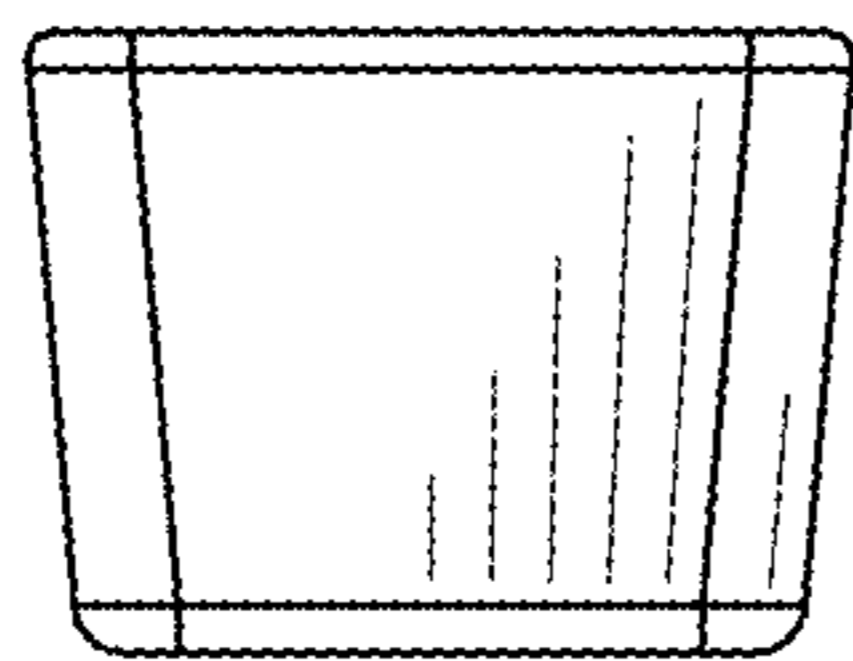


FIG. 2

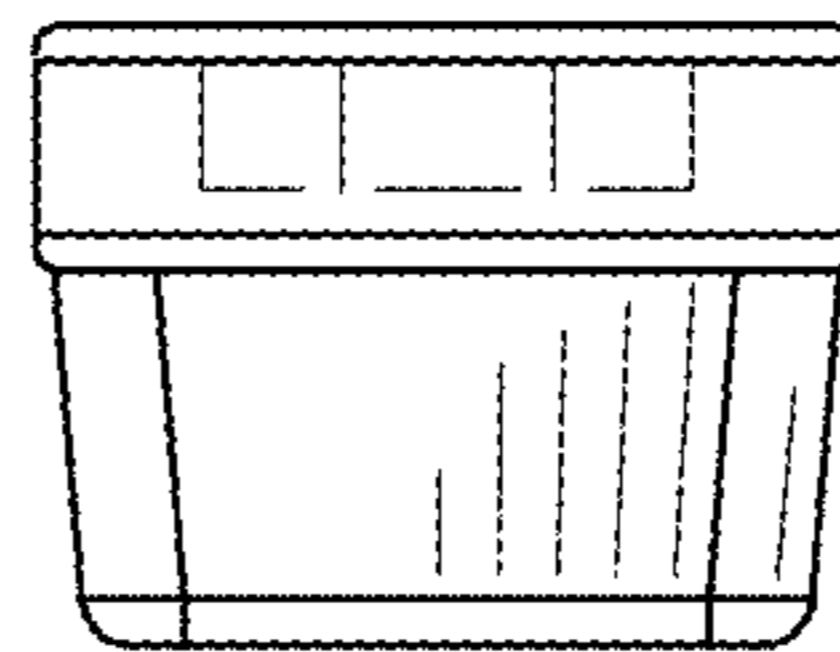


FIG. 3



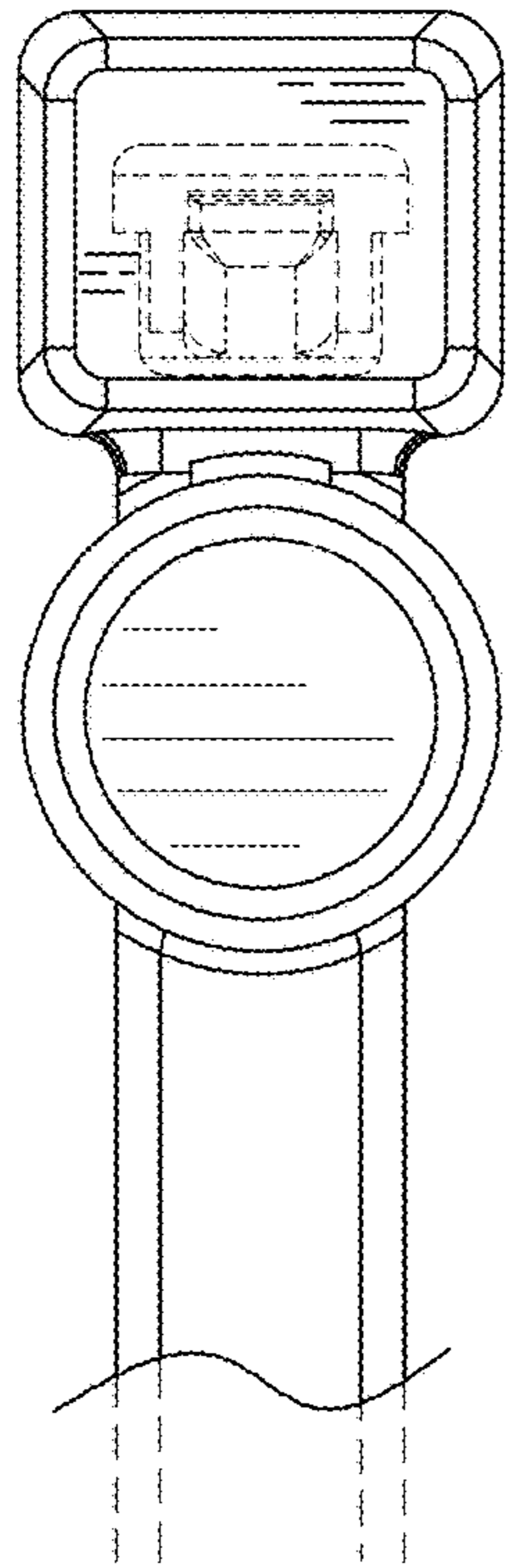


FIG. 4

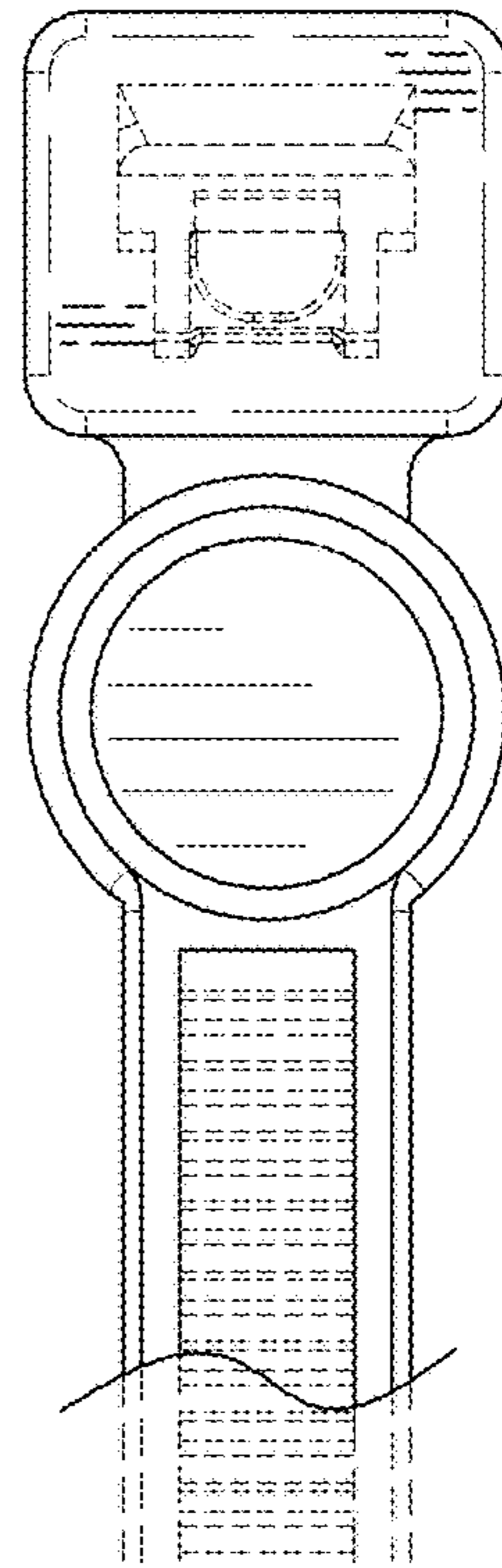


FIG. 5

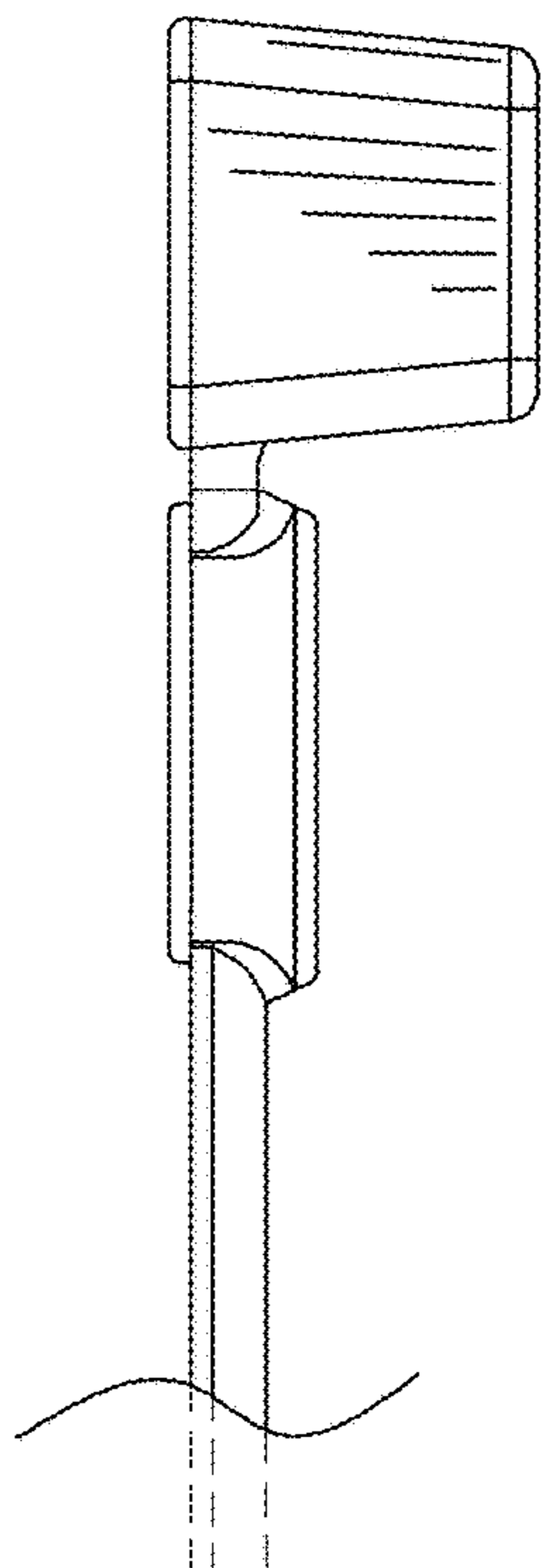


FIG. 6

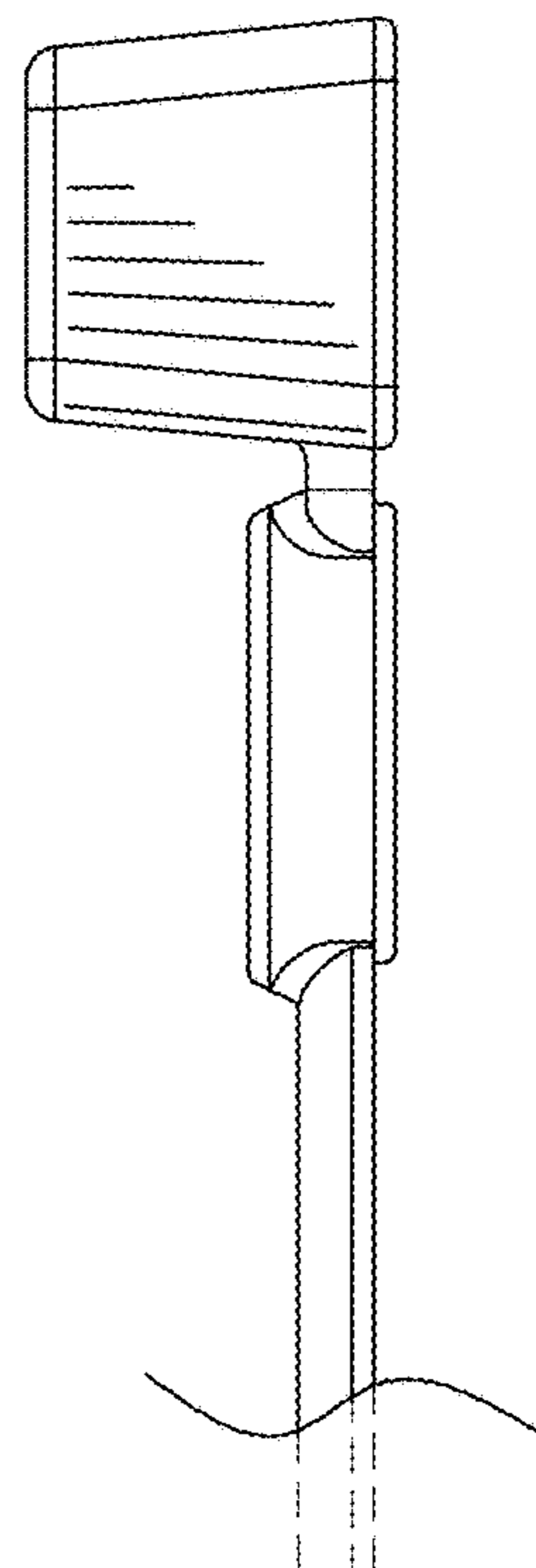


FIG. 7