



US00D809372S

(12) **United States Design Patent**  
**Palsgaard et al.**

(10) **Patent No.:** **US D809,372 S**  
(45) **Date of Patent:** **\*\* Feb. 6, 2018**

(54) **COUPLING ELEMENT ADAPTOR FOR A PELT BOARD**

- (71) Applicant: **MINKPAPIR A/S**, Holstebro (DK)
- (72) Inventors: **Henrik Palsgaard**, Aalborg (DK);  
**Johnny Larson**, Aalborg (DK);  
**Mogens Fahlgren Andersen**, Holstebro (DK)
- (73) Assignee: **MINKPAPIR A/S**, Holstebro (DK)
- (\*\*) Term: **15 Years**

(21) Appl. No.: **29/545,437**

(22) Filed: **Nov. 12, 2015**

(30) **Foreign Application Priority Data**

May 12, 2015 (DK) ..... 2015 00043

(51) **LOC (11) Cl.** ..... **08-08**

(52) **U.S. Cl.**  
USPC ..... **D8/388**; D8/354; D8/382

(58) **Field of Classification Search**  
USPC ..... D8/1, 71, 349, 354, 382, 384, 385, 388,  
D8/391, 499; D20/10, 22, 27, 28, 41, 42,  
D20/43, 99

(Continued)

(56) **References Cited**

**U.S. PATENT DOCUMENTS**

142,384 A 9/1873 Eighme  
357,609 A 2/1887 Landers

(Continued)

**FOREIGN PATENT DOCUMENTS**

WO 2015/144774 A1 10/2015  
WO 2015/144777 A1 10/2015

**OTHER PUBLICATIONS**

Non-Final Office Action on co-pending U.S. Appl. No. 29/545,434 dated Jun. 16, 2017.

*Primary Examiner* — Sandra Snapp

*Assistant Examiner* — Ieisha Price

(74) *Attorney, Agent, or Firm* — Klein, O'Neill & Singh, LLP

(57) **CLAIM**

The ornamental design for a coupling element adaptor for a pelt board, as shown.

**DESCRIPTION**

FIG. 1 is a front, bottom, and left side perspective view of a first embodiment of a coupling element adaptor for a pelt board in accordance with our design;

FIG. 2 is a top, front, and left side perspective view of a first embodiment of the coupling element adaptor for a pelt board shown in FIG. 1;

FIG. 3 is a top plan view of a first embodiment of the coupling element adaptor for a pelt board shown in FIG. 1;

FIG. 4 is a bottom plan view of a first embodiment of the coupling element adaptor for a pelt board shown in FIG. 1;

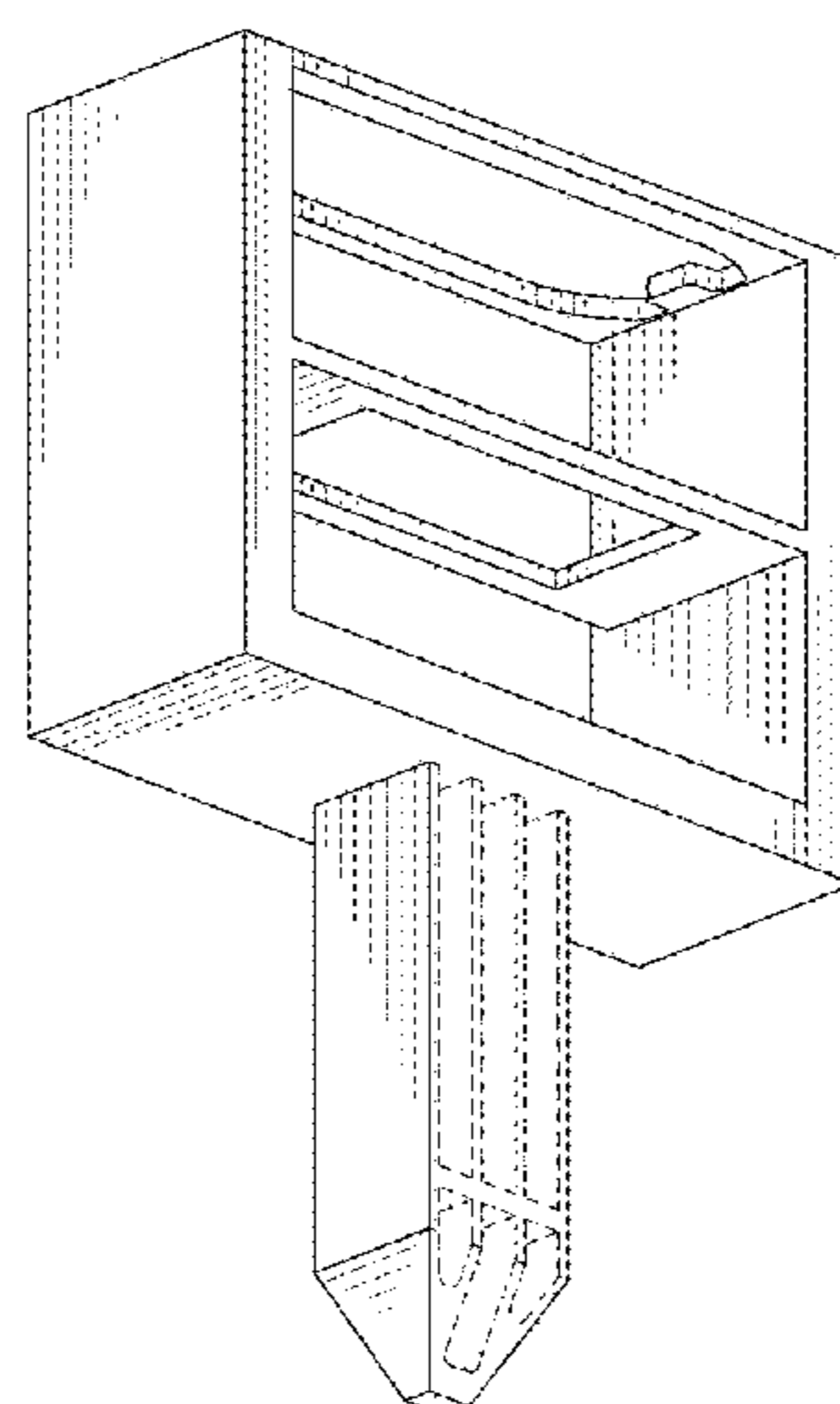
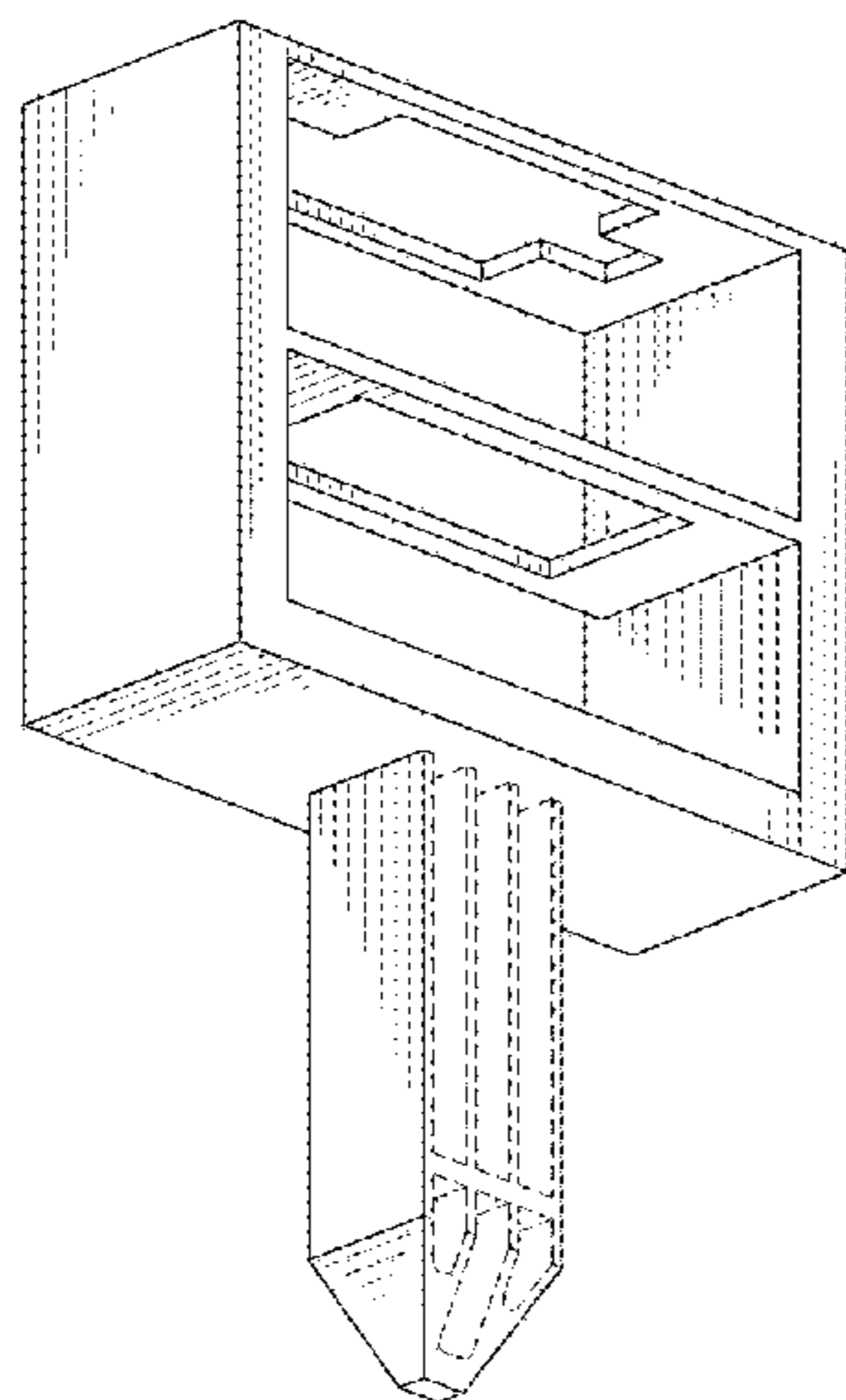
FIG. 5 is a front, bottom, and left side perspective view of a second embodiment of a coupling element adaptor for a pelt board in accordance with our design;

FIG. 6 is a top, front, and left side perspective view of a second embodiment of the coupling element adaptor for a pelt board shown in FIG. 5;

FIG. 7 is a top plan view of a second embodiment of the coupling element adaptor for a pelt board shown in FIG. 5; and,

FIG. 8 is a bottom plan view of a second embodiment of the coupling element adaptor for a pelt board shown in FIG. 5. The broken lines in the drawings illustrate portions of the coupling element adaptor for a pelt board that form no part of the claimed design.

**1 Claim, 2 Drawing Sheets**



(58) **Field of Classification Search**  
 CPC ..... C14B 1/26; C14B 15/06; C14B 17/06;  
                   C14B 17/08; C14B 1/58  
 See application file for complete search history.

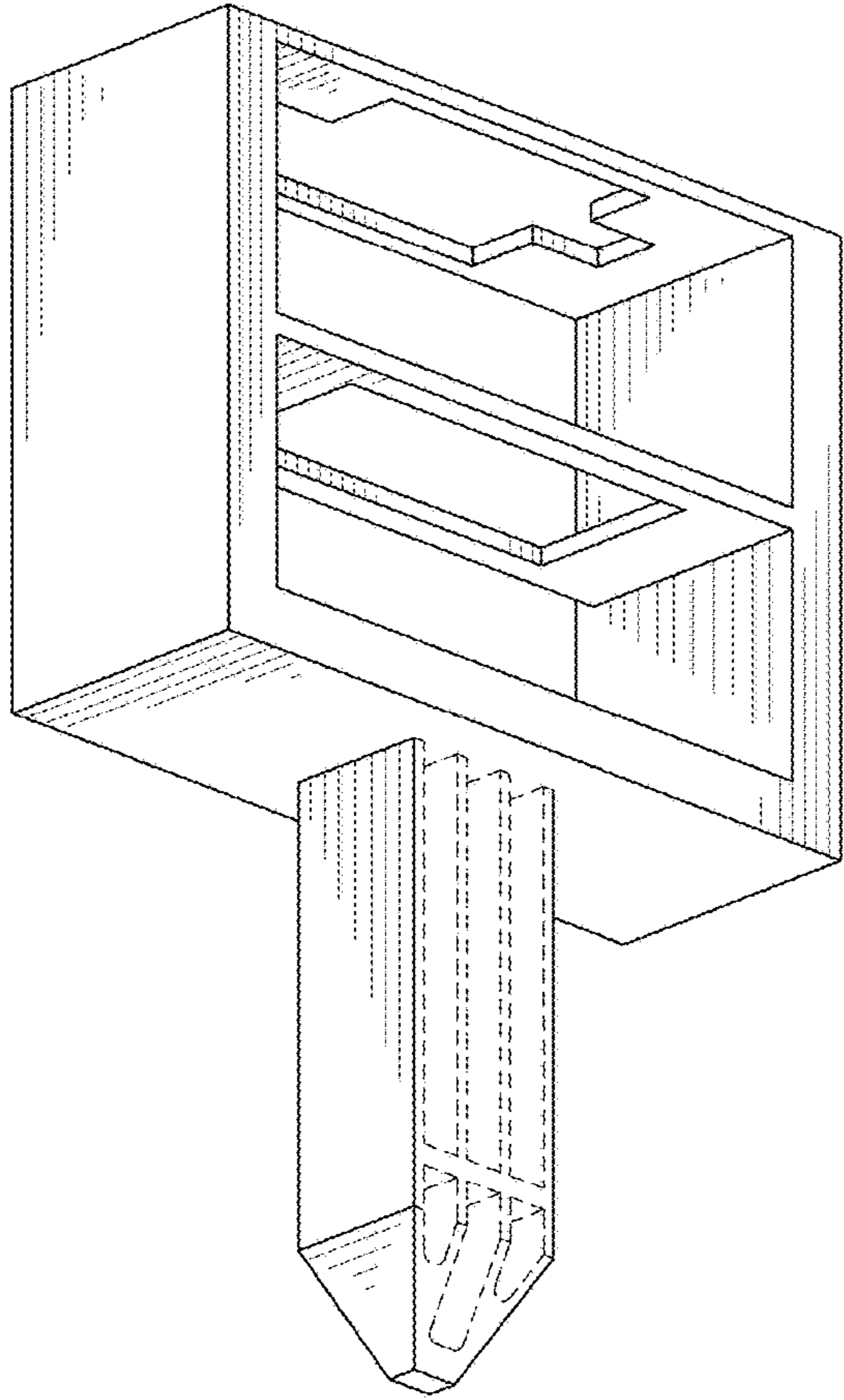
(56) **References Cited**

U.S. PATENT DOCUMENTS

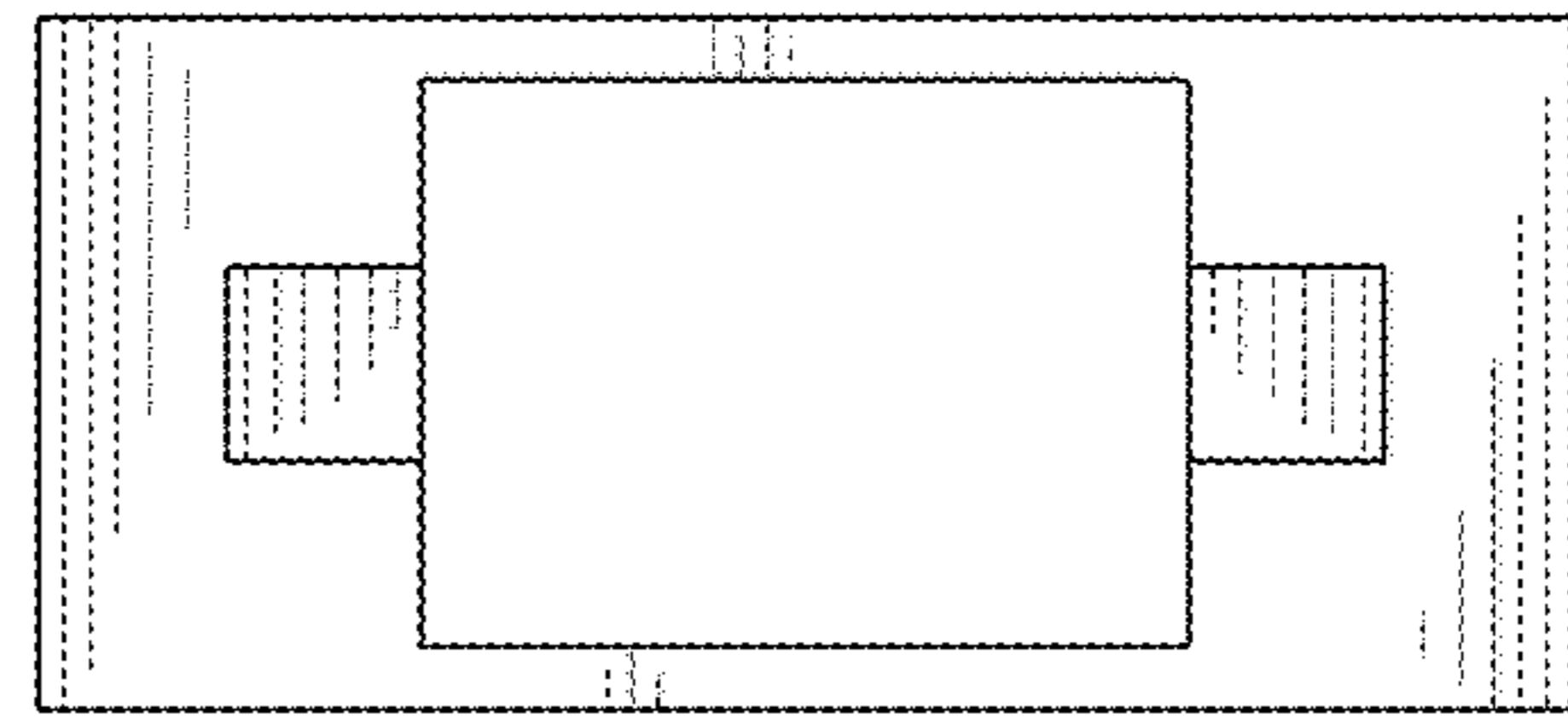
|           |     |         |                |           |
|-----------|-----|---------|----------------|-----------|
| 738,276   | A   | 9/1903  | Barton         |           |
| 1,271,418 | A   | 7/1918  | Barnes         |           |
| 1,434,237 | A   | 10/1922 | Warnock        |           |
| 1,879,931 | A   | 9/1932  | Greenstein     |           |
| 1,917,520 | A   | 7/1933  | Grey           |           |
| 2,362,062 | A * | 11/1944 | Fishbeck ..... | C14B 1/26 |
|           |     |         |                | 123/169 C |
| 2,380,135 | A   | 7/1945  | West           |           |
| 2,781,594 | A * | 2/1957  | Stupell .....  | B44C 5/04 |
|           |     |         |                | 40/330    |
| 3,313,038 | A * | 4/1967  | Bolz .....     | C14B 1/26 |
|           |     |         |                | 34/103    |
| D237,994  | S * | 12/1975 | Davis .....    | D20/27    |
| D259,240  | S   | 5/1981  | Myron          |           |
| 4,623,102 | A   | 11/1986 | Hough, Jr.     |           |
| D287,098  | S   | 12/1986 | Wilson et al.  |           |
| D299,294  | S * | 1/1989  | Paci .....     | D6/675    |

|              |      |         |                    |            |
|--------------|------|---------|--------------------|------------|
| D309,095     | S    | 7/1990  | Holley             |            |
| D323,751     | S *  | 2/1992  | Hinrikus .....     | D8/356     |
| D325,678     | S *  | 4/1992  | Niles .....        | D7/619.1   |
| D347,244     | S *  | 5/1994  | Whitmire .....     | D20/41     |
| D416,194     | S    | 11/1999 | Brorsson et al.    |            |
| D464,830     | S    | 10/2002 | High               |            |
| D464,873     | S    | 10/2002 | Nemoto             |            |
| D467,436     | S *  | 12/2002 | Fink .....         | D20/41     |
| D477,771     | S *  | 7/2003  | Nemoto .....       | D8/382     |
| D529,793     | S    | 10/2006 | Kuroda             |            |
| D537,123     | S *  | 2/2007  | Thomas .....       | D20/41     |
| 7,534,073    | B2   | 5/2009  | Stahm              |            |
| 7,578,153    | B2 * | 8/2009  | Hedegaard .....    | C14B 1/58  |
|              |      |         |                    | 69/19.1    |
| 7,690,228    | B2 * | 4/2010  | Hedegaard .....    | C14B 1/26  |
|              |      |         |                    | 69/19.1    |
| D755,303     | S    | 5/2016  | Bissonnette et al. |            |
| D759,473     | S    | 6/2016  | Zhou               |            |
| 2013/0152642 | A1 * | 6/2013  | Pedersen .....     | C14B 1/58  |
|              |      |         |                    | 69/19.1    |
| 2015/0191802 | A1 * | 7/2015  | Pedersen .....     | C14B 1/26  |
|              |      |         |                    | 69/19.2    |
| 2017/0051367 | A1 * | 2/2017  | Pedersen .....     | C14B 15/06 |
| 2017/0051368 | A1 * | 2/2017  | Pedersen .....     | C14B 15/06 |
| 2017/0260597 | A1 * | 9/2017  | Larsen .....       | C14B 15/06 |

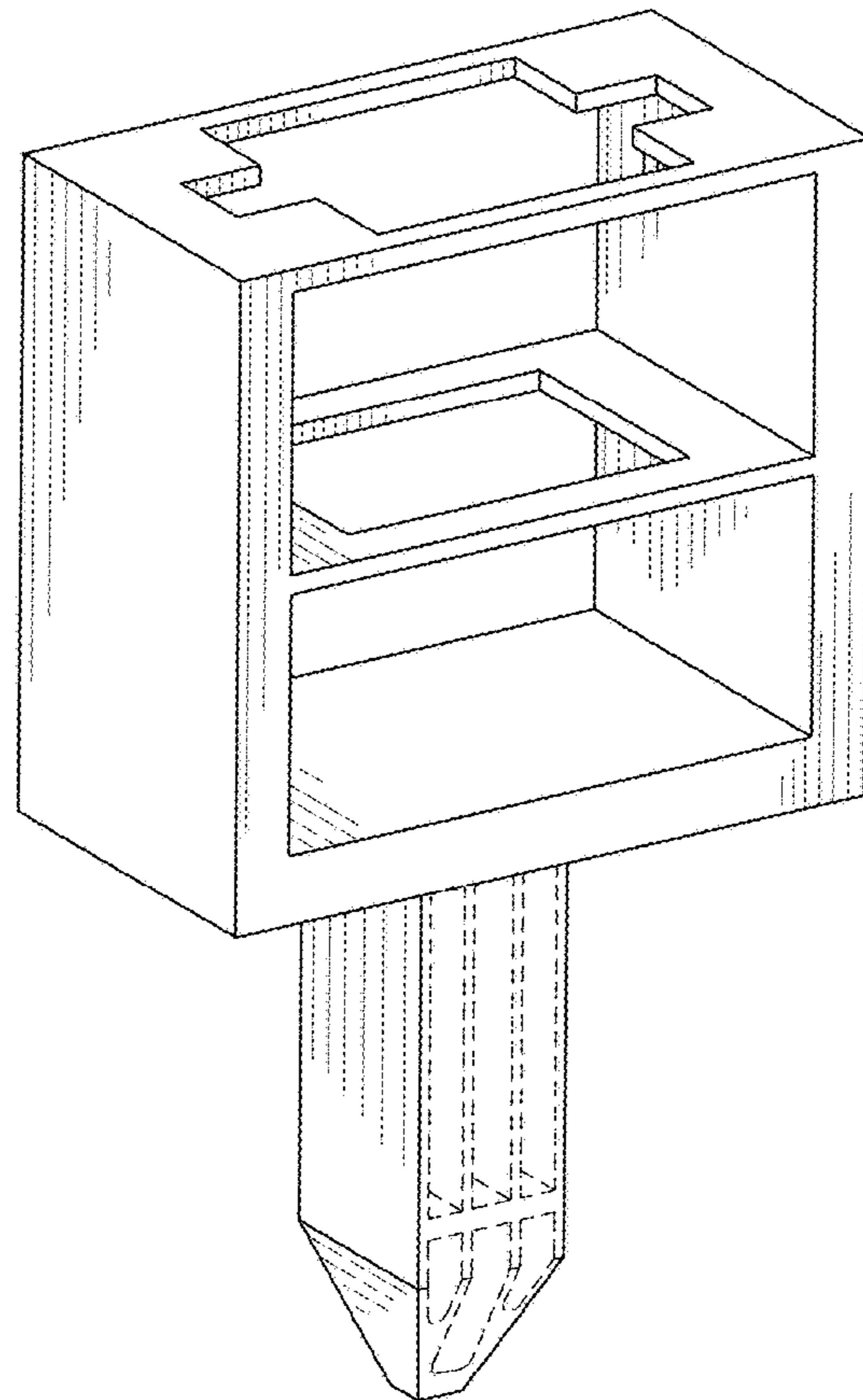
\* cited by examiner



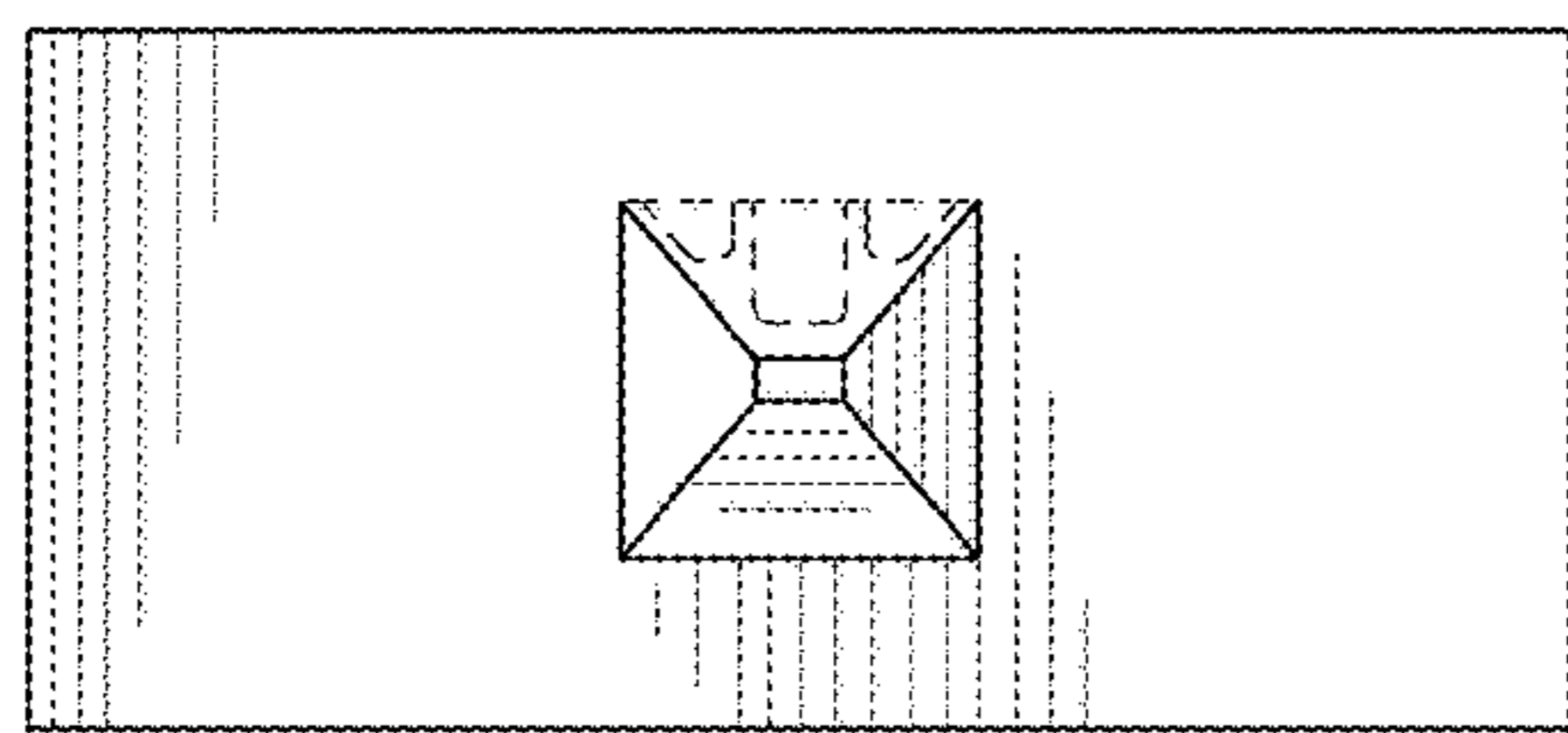
**FIG. 1**



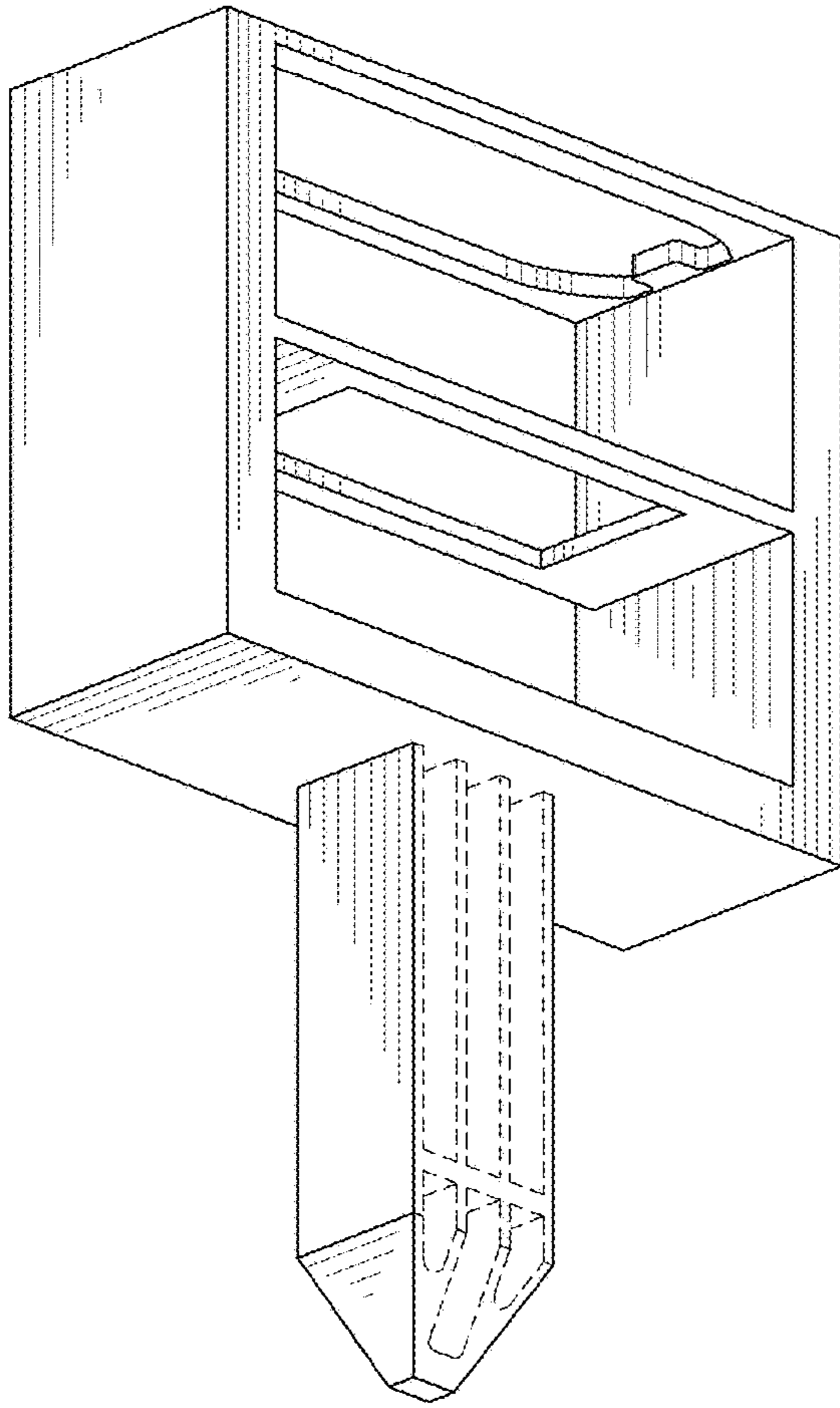
**FIG. 3**



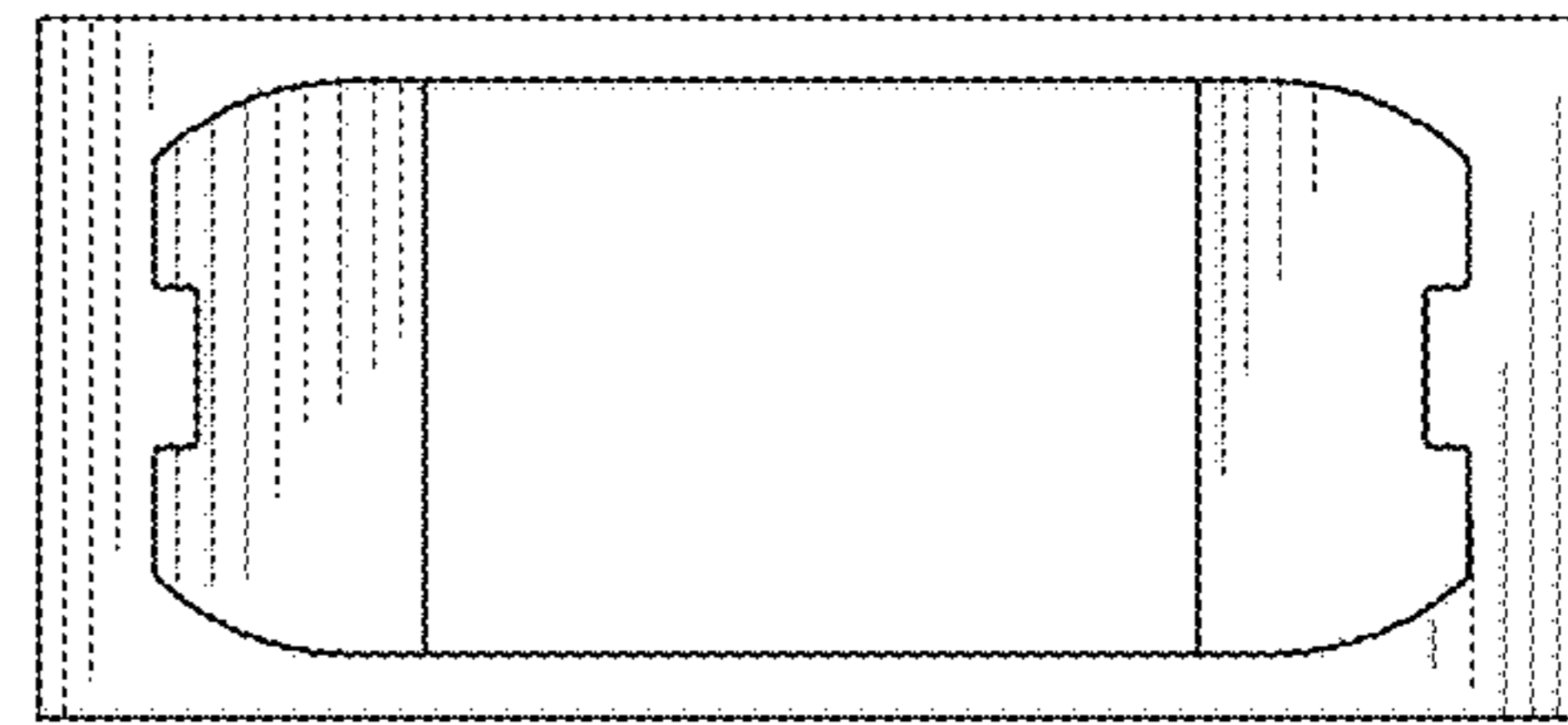
**FIG. 2**



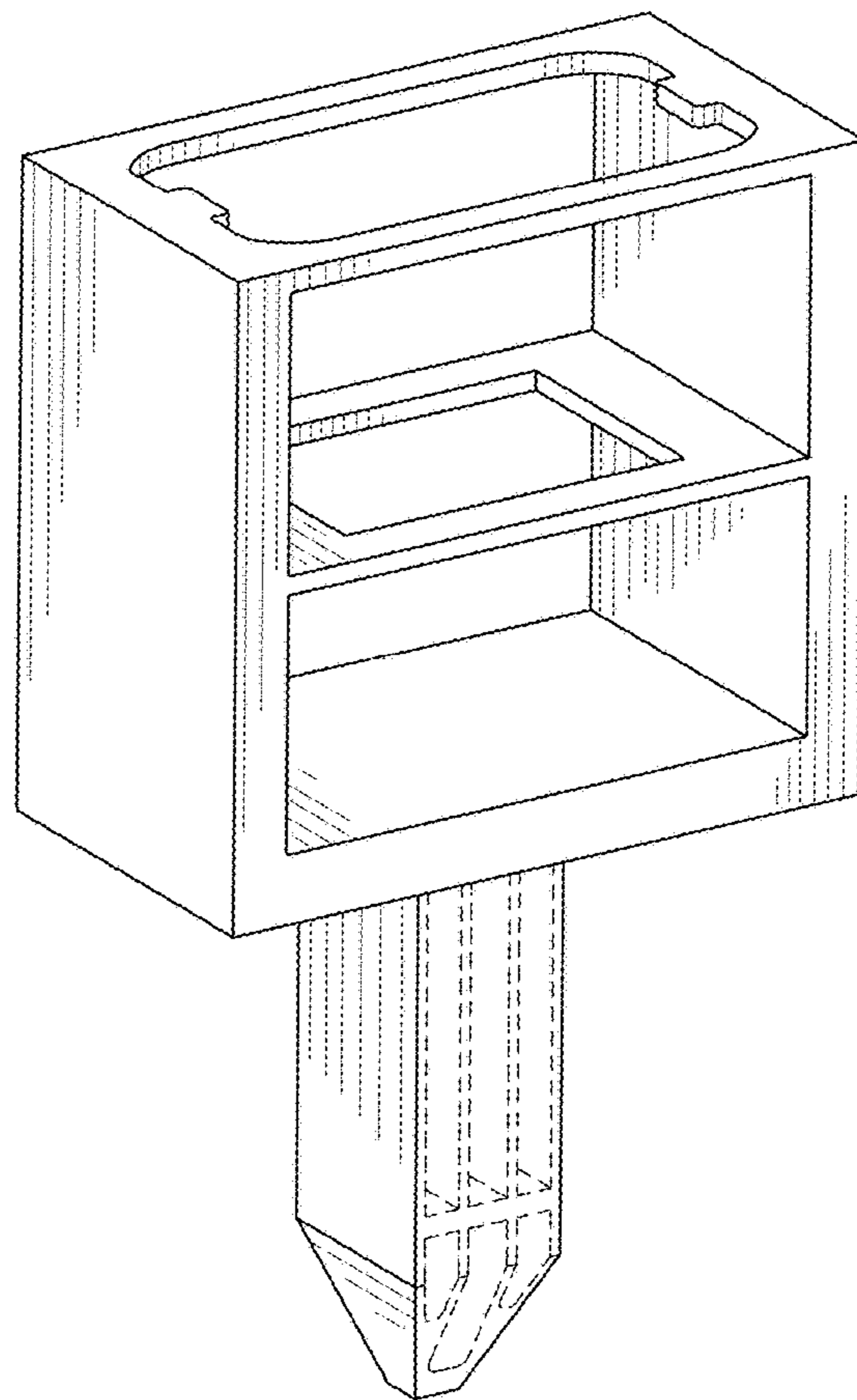
**FIG. 4**



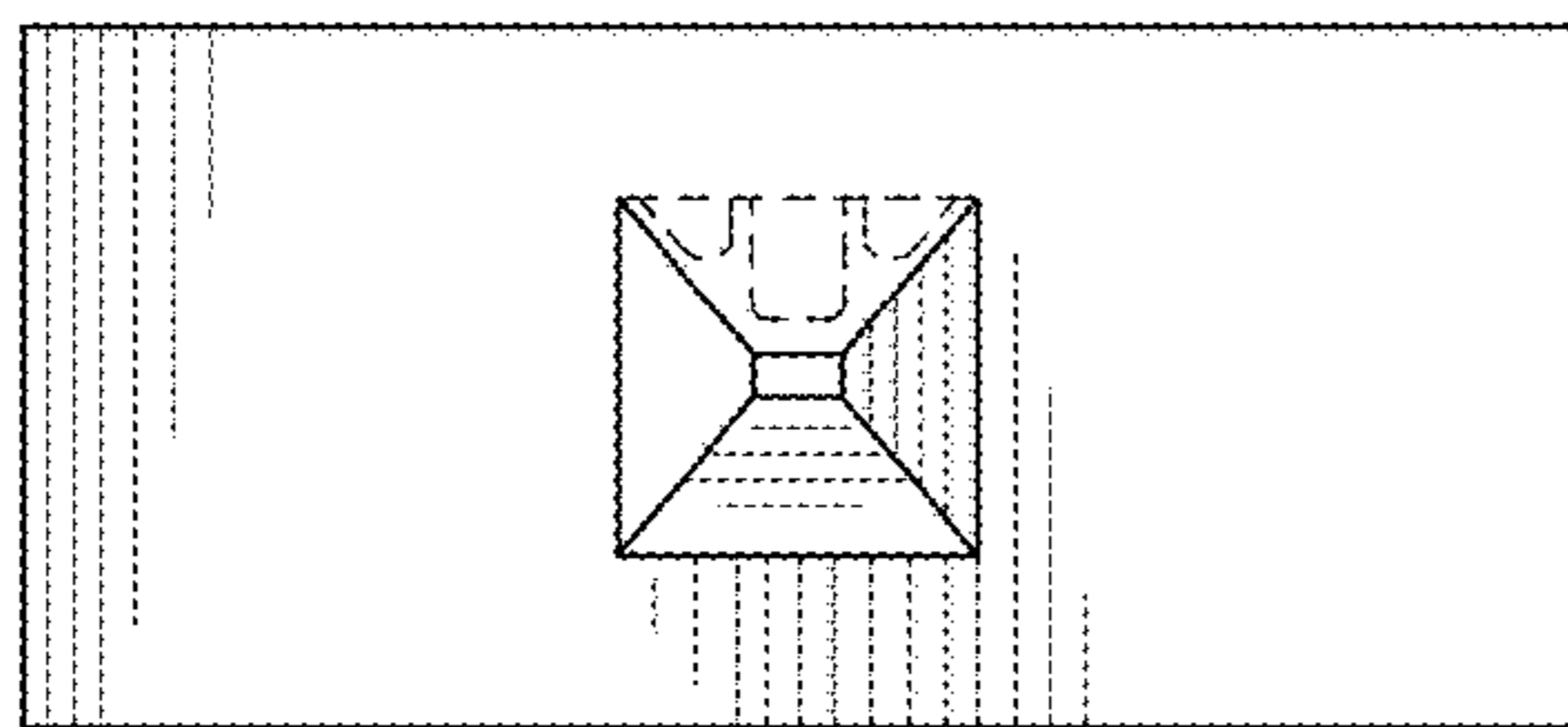
**FIG. 5**



**FIG. 7**



**FIG. 6**



**FIG. 8**