



US00D809371S

(12) **United States Design Patent** (10) **Patent No.:** **US D809,371 S**  
**Forrest et al.** (45) **Date of Patent:** **\*\* Feb. 6, 2018**

- (54) **HOOK ASSEMBLY**
- (71) Applicant: **LIBERTY HARDWARE MFG. CORP.**, Winston-Salem, NC (US)
- (72) Inventors: **Earl David Forrest**, Asheboro, NC (US); **James Leroy Daniels**, Stokesdale, NC (US)
- (73) Assignee: **LIBERTY HARDWARE MFG. CORP.**, Winston-Salem, NC (US)
- (\*\*) Term: **15 Years**
- (21) Appl. No.: **29/577,916**
- (22) Filed: **Sep. 16, 2016**

**Related U.S. Application Data**

- (62) Division of application No. 29/508,327, filed on Nov. 5, 2014, now Pat. No. Des. 772,043.
- (51) **LOC (11) Cl.** ..... **08-05**
- (52) **U.S. Cl.**  
USPC ..... **D8/372**
- (58) **Field of Classification Search**  
USPC ..... D8/367, 372  
CPC ..... A47G 25/06; A47J 47/16; F16B 45/00  
See application file for complete search history.

(56) **References Cited**

**U.S. PATENT DOCUMENTS**

D275,629 S *	9/1984	Einhorn	.....	D8/372
D466,796 S *	12/2002	Lacey	.....	D8/372
D472,134 S *	3/2003	Goodman	.....	D8/367
D706,614 S	6/2014	Schraufnagel et al.		
D707,539 S	6/2014	Goodman et al.		
D707,542 S	6/2014	Goodman et al.		

**OTHER PUBLICATIONS**

[http://www.lowes.com/pd\\_45850-695-4612OCT\\_0\\_?productId=1087645](http://www.lowes.com/pd_45850-695-4612OCT_0_?productId=1087645), "Shop interDesign Steel Gar-

ment Hook at Lowes.com", sold on and/or before the date of Oct. 13, 2014.

\* cited by examiner

*Primary Examiner* — Holly H Baynham  
(74) *Attorney, Agent, or Firm* — Brooks Kushman P.C.; Lora Graentzdoerffer

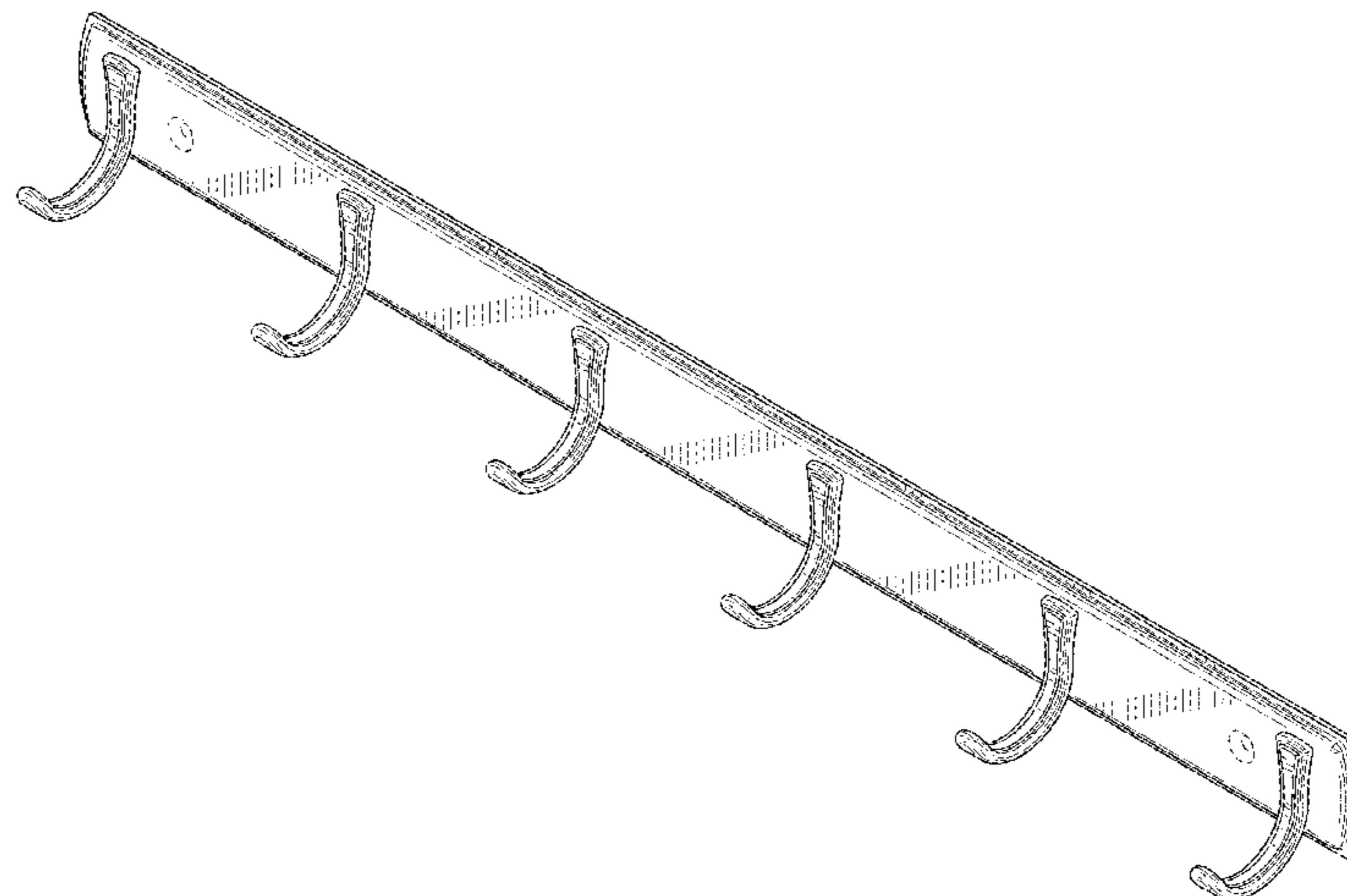
(57) **CLAIM**

The ornamental design for a hook assembly, as shown and described.

**DESCRIPTION**

FIG. 1 is a perspective view of a hook assembly according to an embodiment;  
 FIG. 2 is a front view of the hook assembly of FIG. 1;  
 FIG. 3 is a rear view of the hook assembly of FIG. 1;  
 FIG. 4 is a top view of the hook assembly of FIG. 1;  
 FIG. 5 is a bottom view of the hook assembly of FIG. 1;  
 FIG. 6 is an enlarged right side view of the hook assembly of FIG. 1;  
 FIG. 7 is a left side view of the hook assembly of FIG. 1;  
 FIG. 8 is a perspective view of a hook assembly according to another embodiment;  
 FIG. 9 is a front view of the hook assembly of FIG. 8;  
 FIG. 10 is a rear view of the hook assembly of FIG. 8;  
 FIG. 11 is a top view of the hook assembly of FIG. 8;  
 FIG. 12 is a bottom view of the hook assembly of FIG. 8;  
 FIG. 13 is an enlarged right side view of the hook assembly of FIG. 8; and,  
 FIG. 14 is a left side view of the hook assembly of FIG. 8.  
 The broken lines showing mounting structure are for the purposes of illustrating environment and form no part of the claimed design.

**1 Claim, 8 Drawing Sheets**



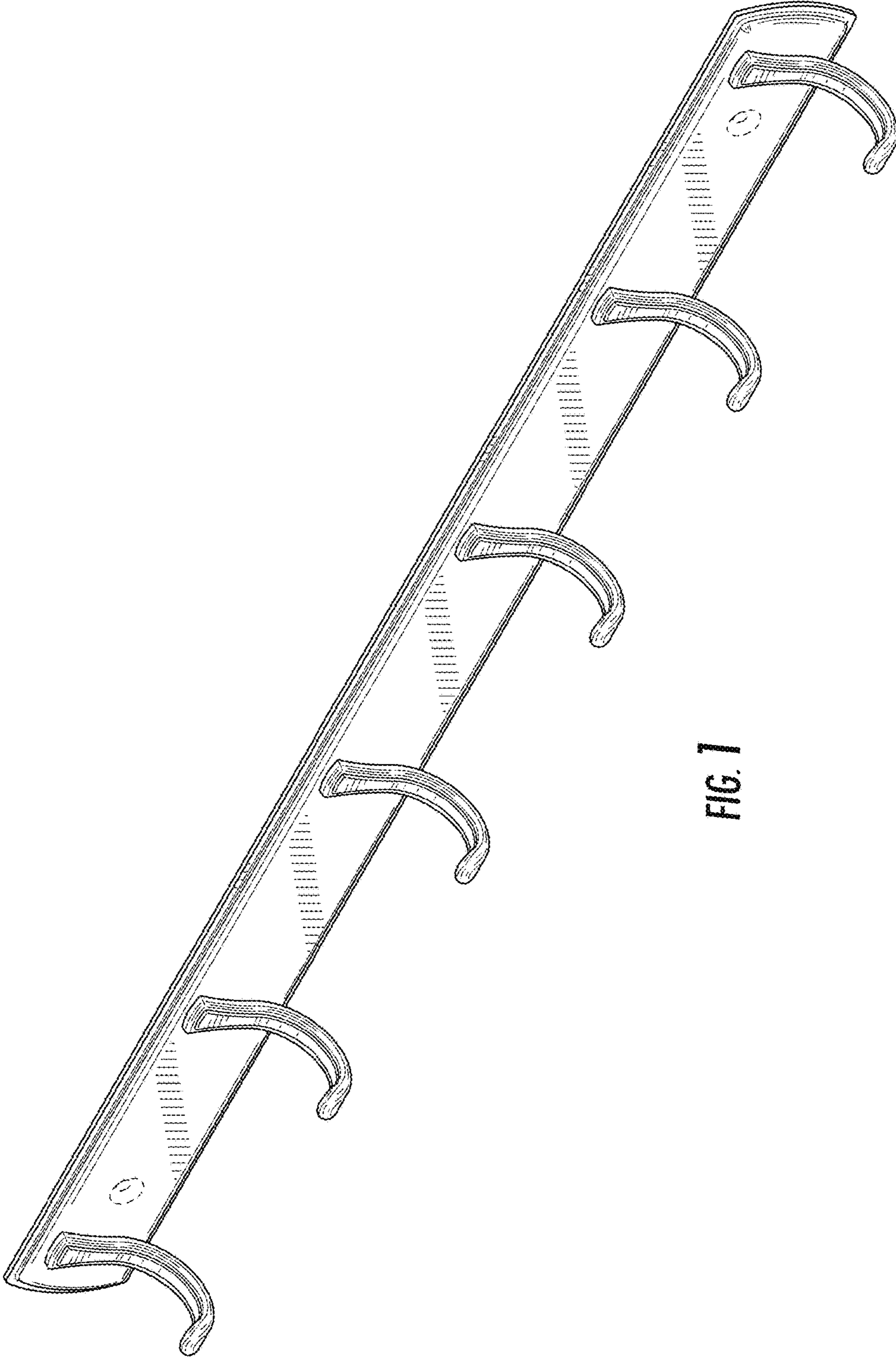


FIG. 1

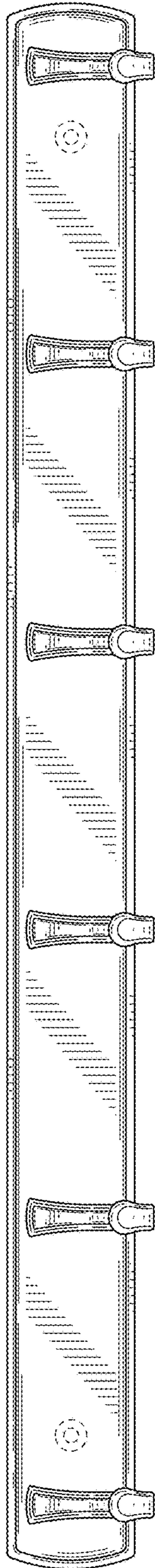


FIG. 2

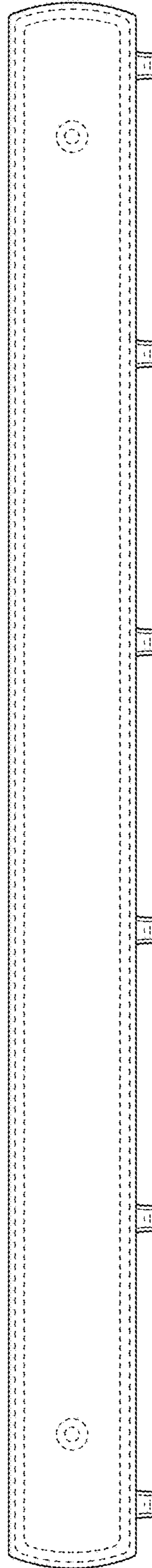


FIG. 3



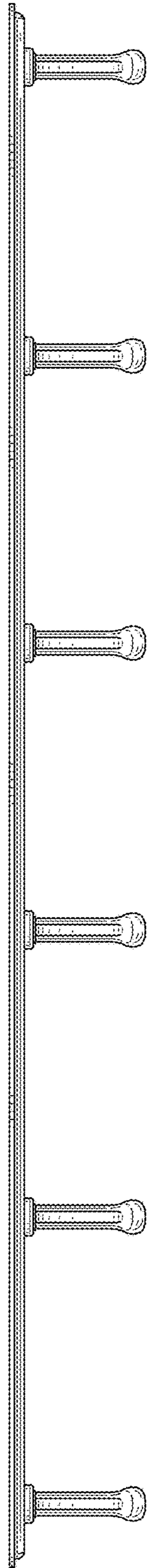


FIG. 4

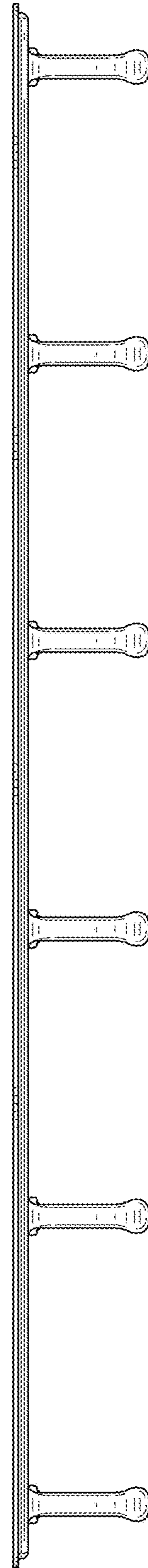


FIG. 5

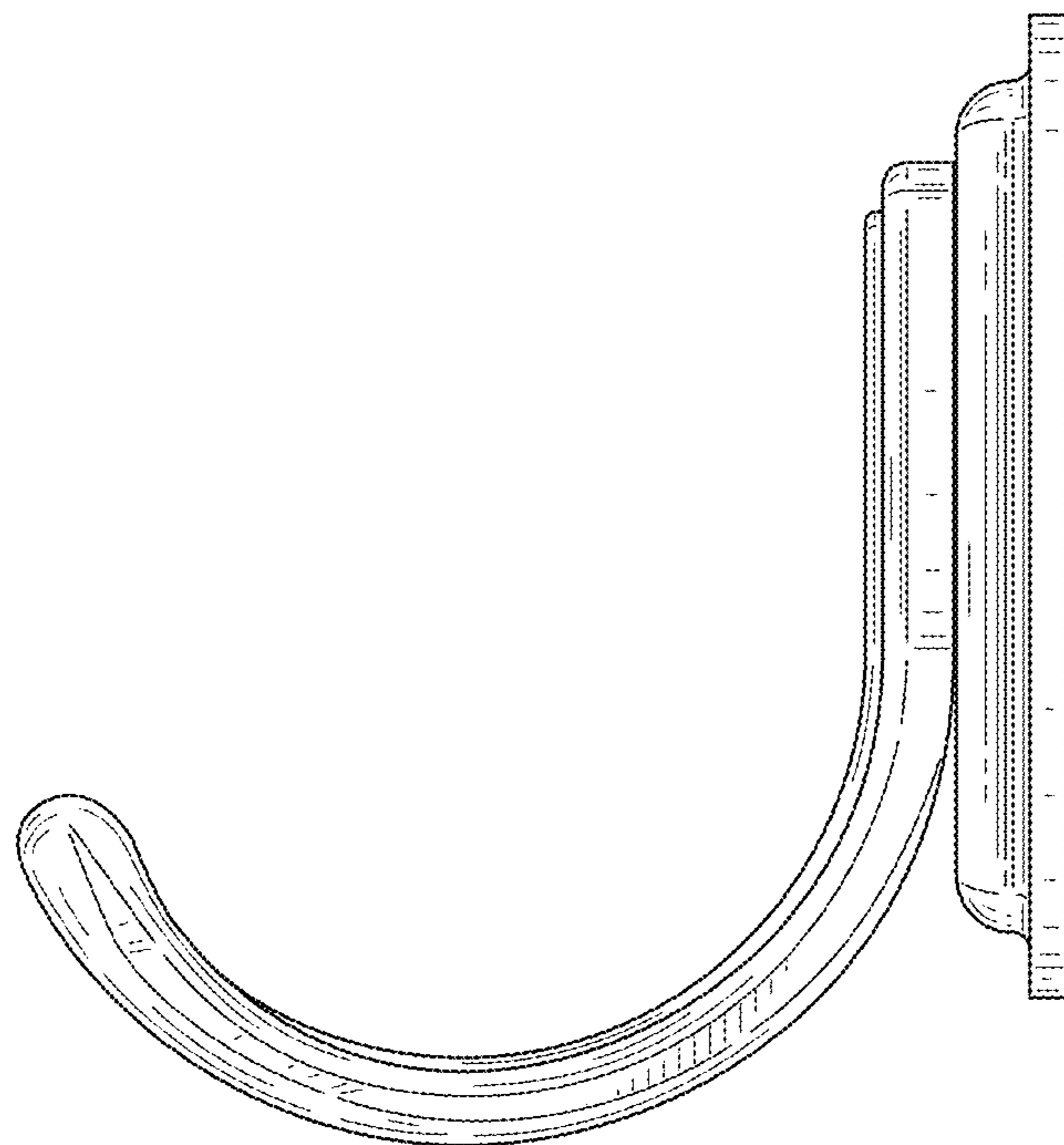


FIG. 6

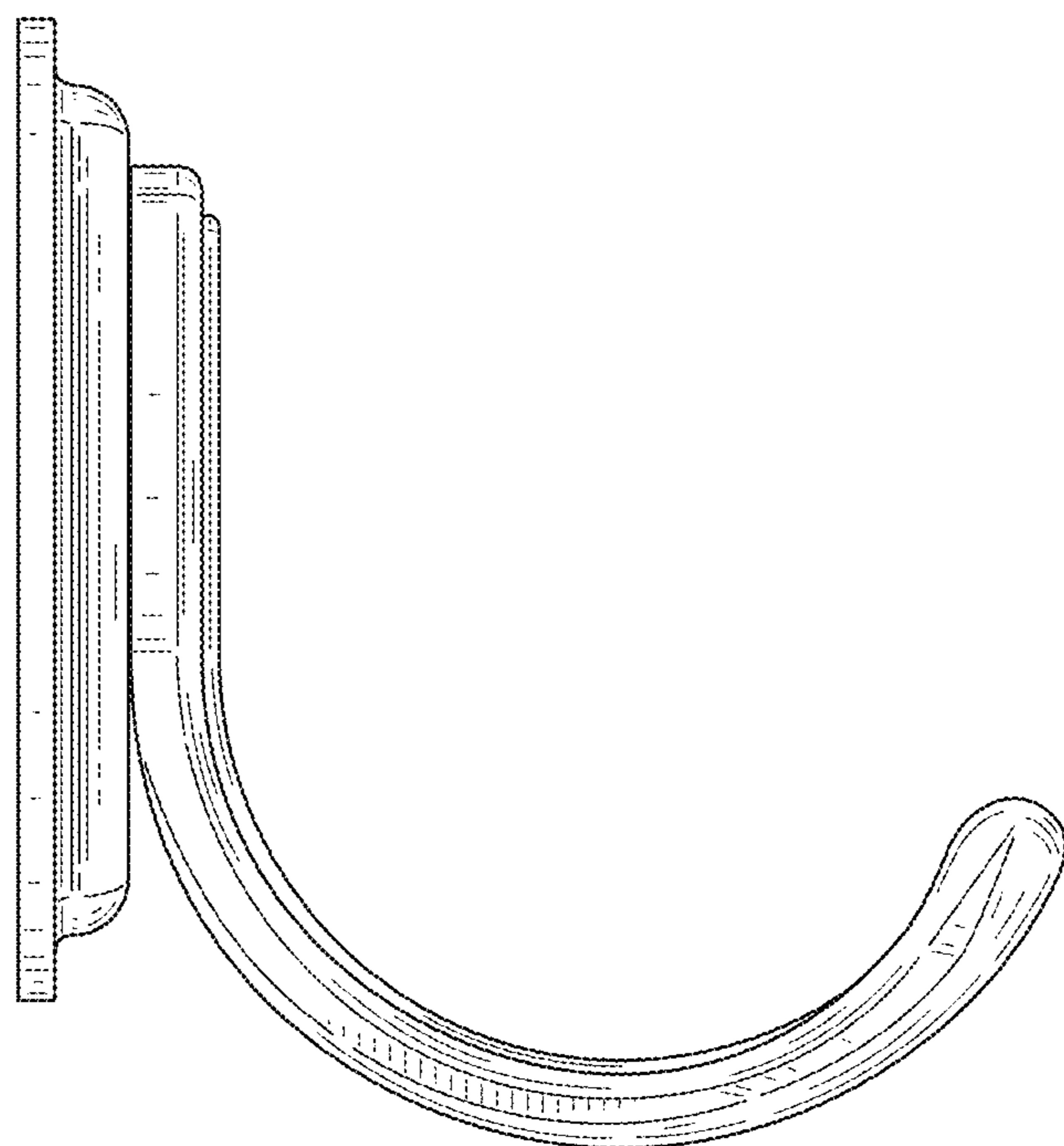


FIG. 7

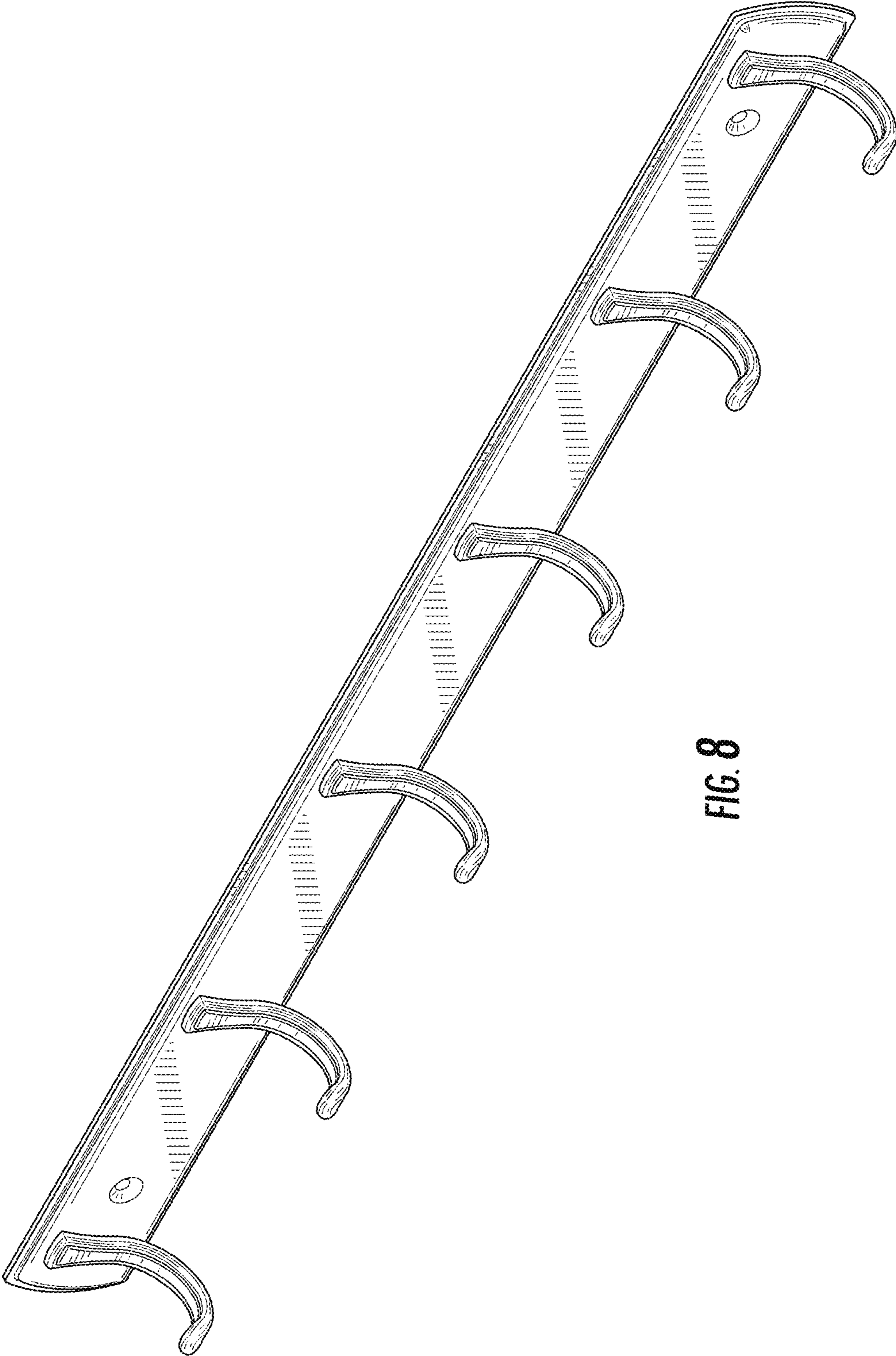


FIG. 8

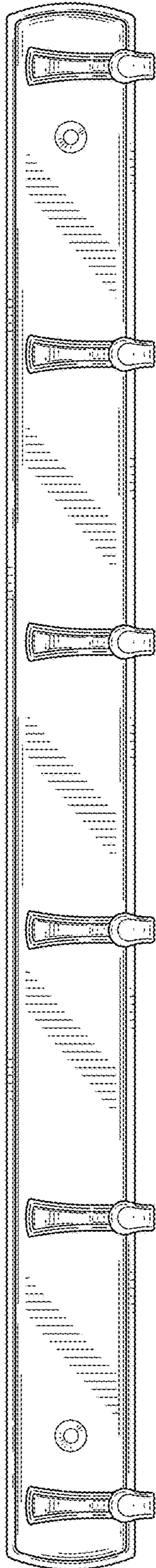


FIG. 9

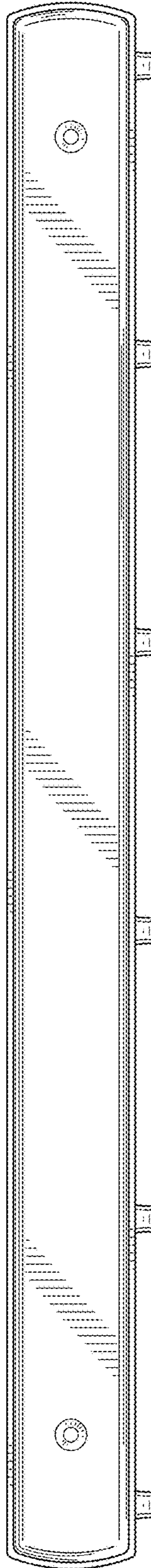


FIG. 10



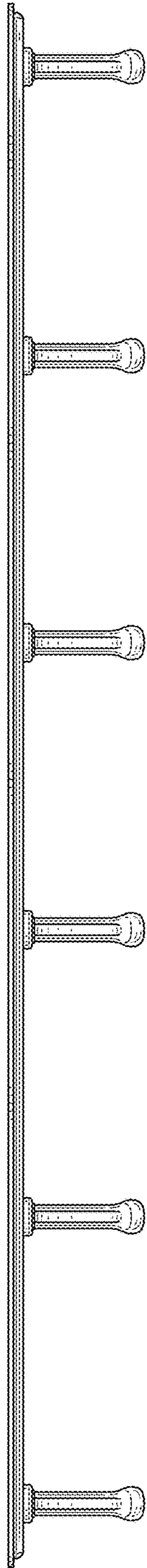


FIG. 11

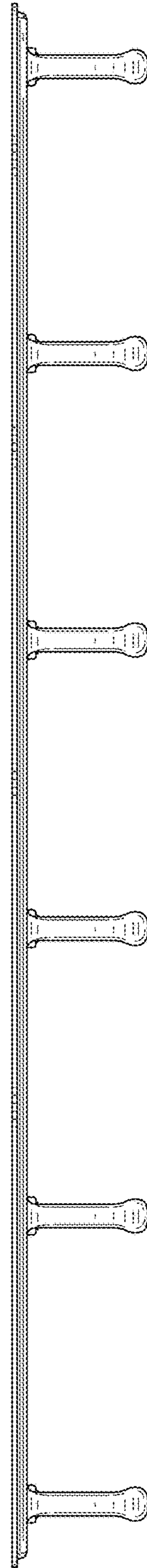


FIG. 12



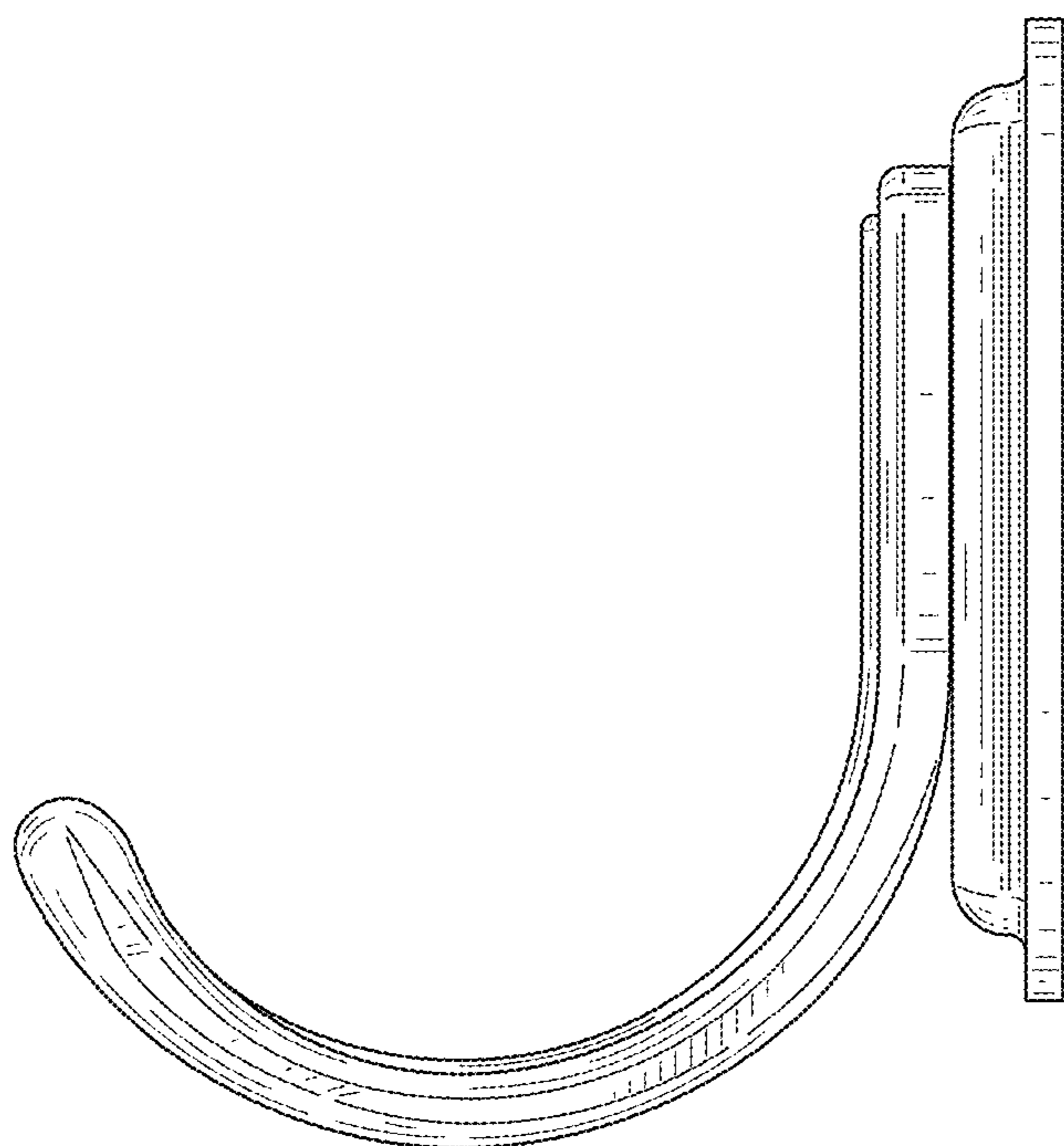


FIG. 13

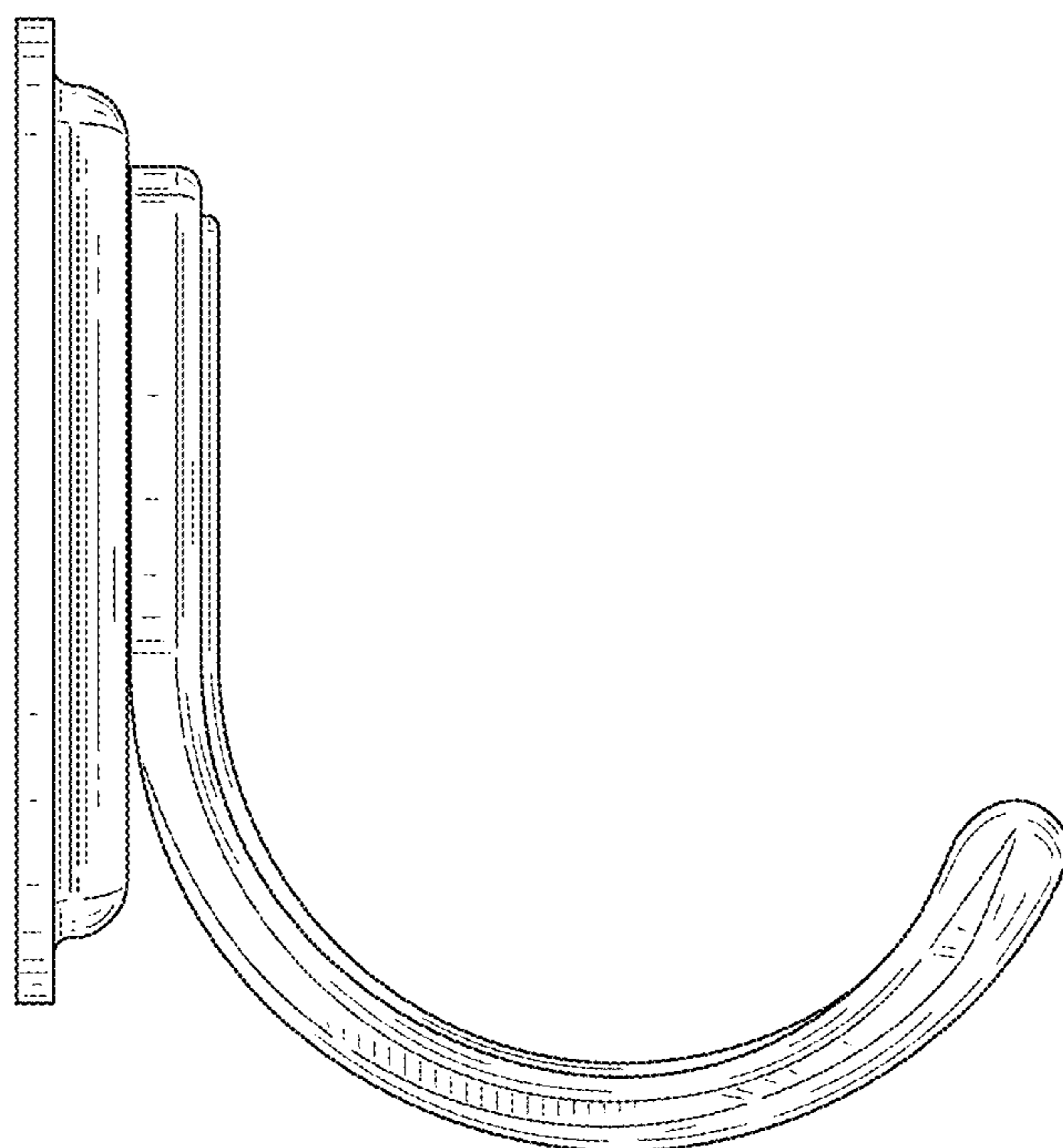


FIG. 14