

US00D809370S

(12) **United States Design Patent**  
**Tang**

(10) **Patent No.:** **US D809,370 S**

(45) **Date of Patent:** **\*\* Feb. 6, 2018**

(54) **UTILITY CLIP**

(71) Applicant: **Tim C. Tang**, Carson, CA (US)

(72) Inventor: **Tim C. Tang**, Carson, CA (US)

(\*\*) Term: **15 Years**

(21) Appl. No.: **29/590,138**

(22) Filed: **Jan. 6, 2017**

(51) **LOC (11) Cl.** ..... **09-06**

(52) **U.S. Cl.**  
USPC ..... **D8/356**

(58) **Field of Classification Search**  
USPC ..... D8/356, 367  
CPC ..... F16L 3/13; F16L 3/26; A47G 23/0225;  
A47G 25/06; A47G 1/16; A47F 5/0846;  
D06F 55/00; E04H 17/10; H02G 11/003  
See application file for complete search history.

(56) **References Cited**

**U.S. PATENT DOCUMENTS**

- 1,649,655 A \* 11/1927 Benson ..... B66C 1/36  
24/577.1
- D234,946 S \* 4/1975 Fredriksson ..... D8/367
- D244,585 S \* 6/1977 Jonsson ..... D8/367
- D348,214 S \* 6/1994 Girardin ..... D8/367

- D475,591 S \* 6/2003 Luquire ..... D8/34
- D608,187 S \* 1/2010 Baron ..... D8/367
- D625,988 S \* 10/2010 Chan ..... D8/367
- D750,822 S \* 3/2016 Hernandez ..... D26/38
- D758,307 S \* 6/2016 Stump ..... D13/108
- D773,911 S \* 12/2016 Louis ..... D8/34
- 2009/0158899 A1 \* 6/2009 Eisenbraun ..... A45C 15/00  
81/3.09

\* cited by examiner

*Primary Examiner* — Cynthia Underwood

(74) *Attorney, Agent, or Firm* — Edwin Tarver

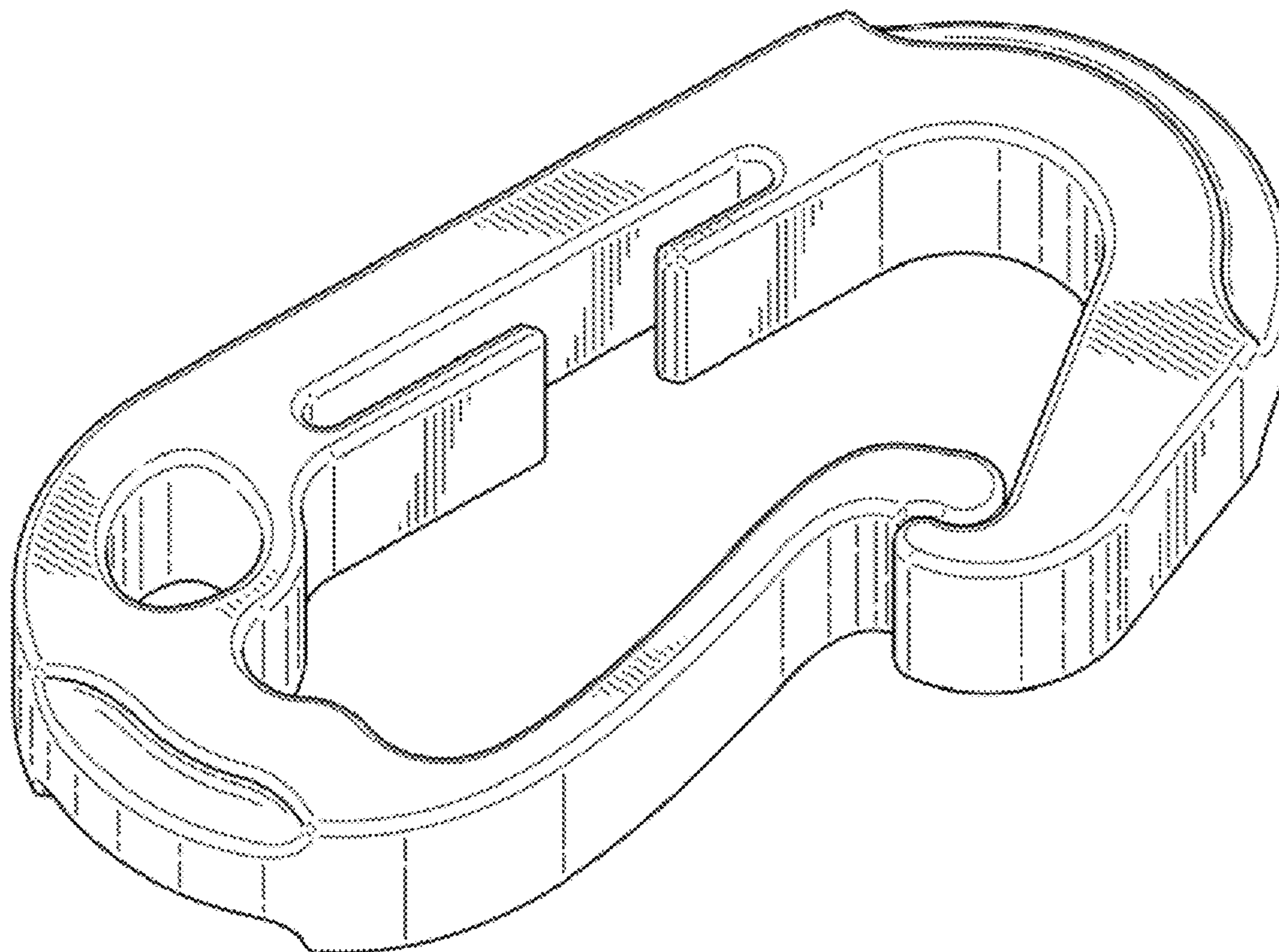
(57) **CLAIM**

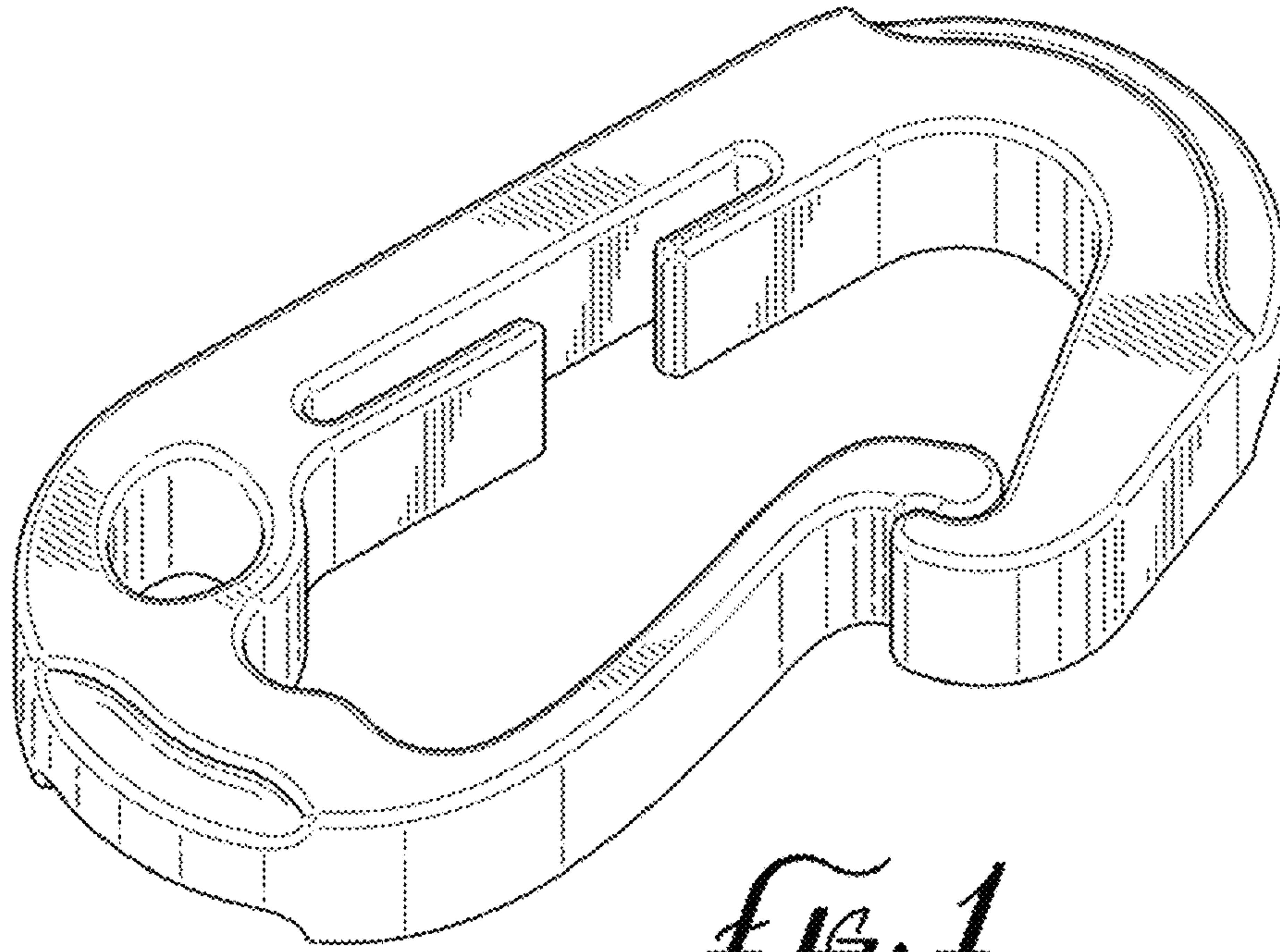
I claim the ornamental design for a utility clip, as shown and described.

**DESCRIPTION**

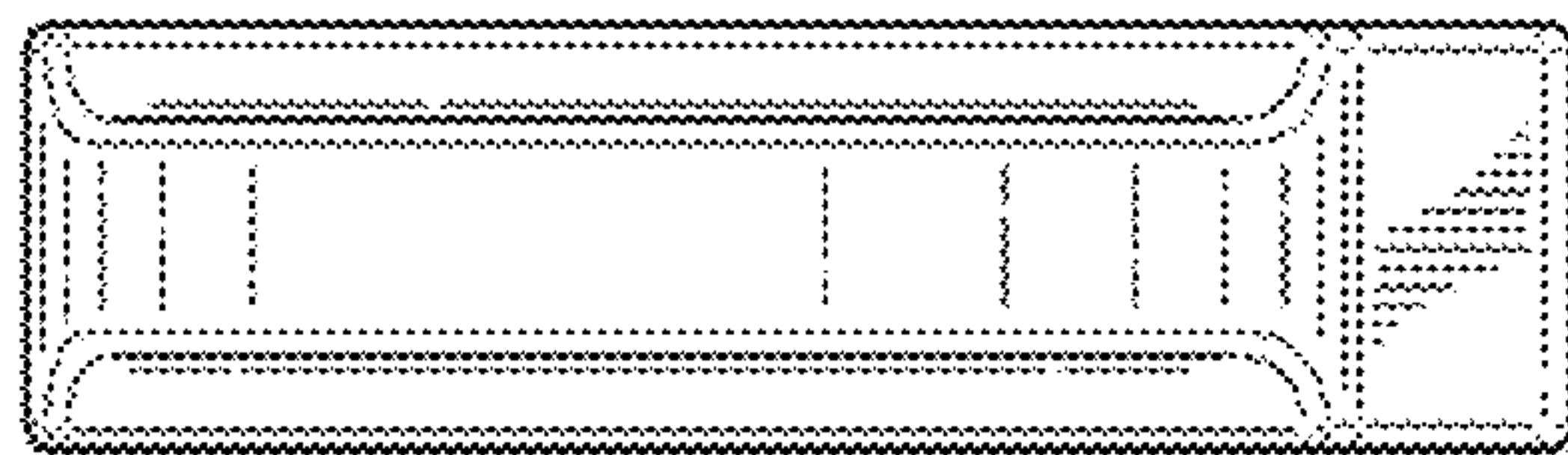
FIG. 1 is a perspective view of a utility clip;  
FIG. 2 is a top view the utility clip;  
FIG. 3 is a bottom view of the utility clip;  
FIG. 4 is a right side elevational view of the utility clip, the left side elevational view being a mirror image thereof;  
FIG. 5 is a front elevational view of the utility clip; and,  
FIG. 6 is a rear elevational view of the utility clip.

**1 Claim, 2 Drawing Sheets**

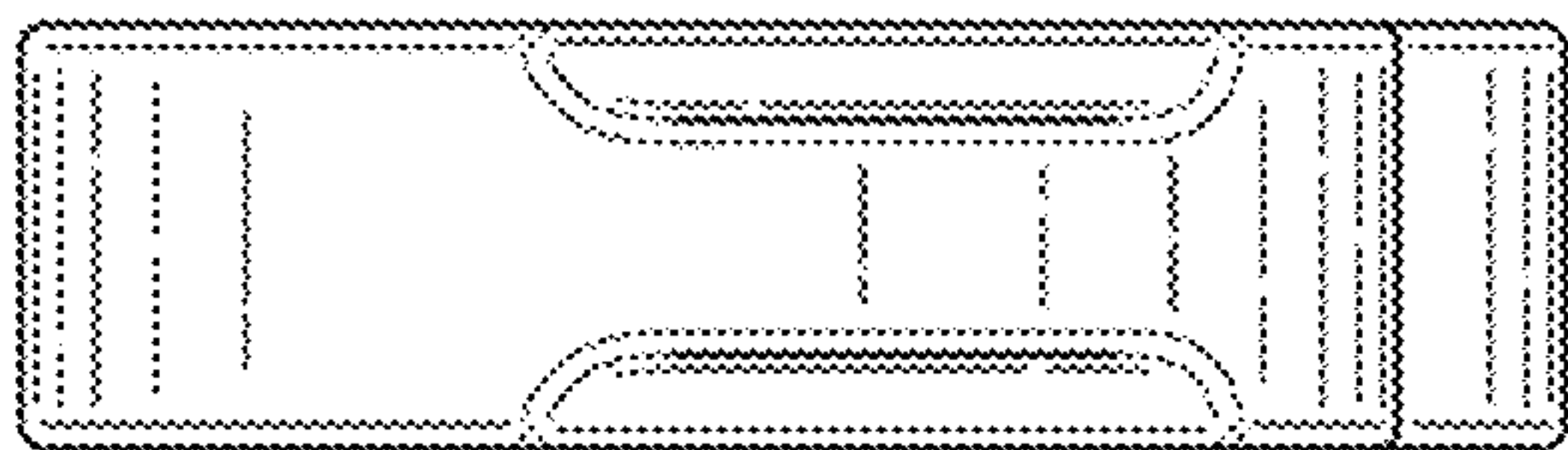




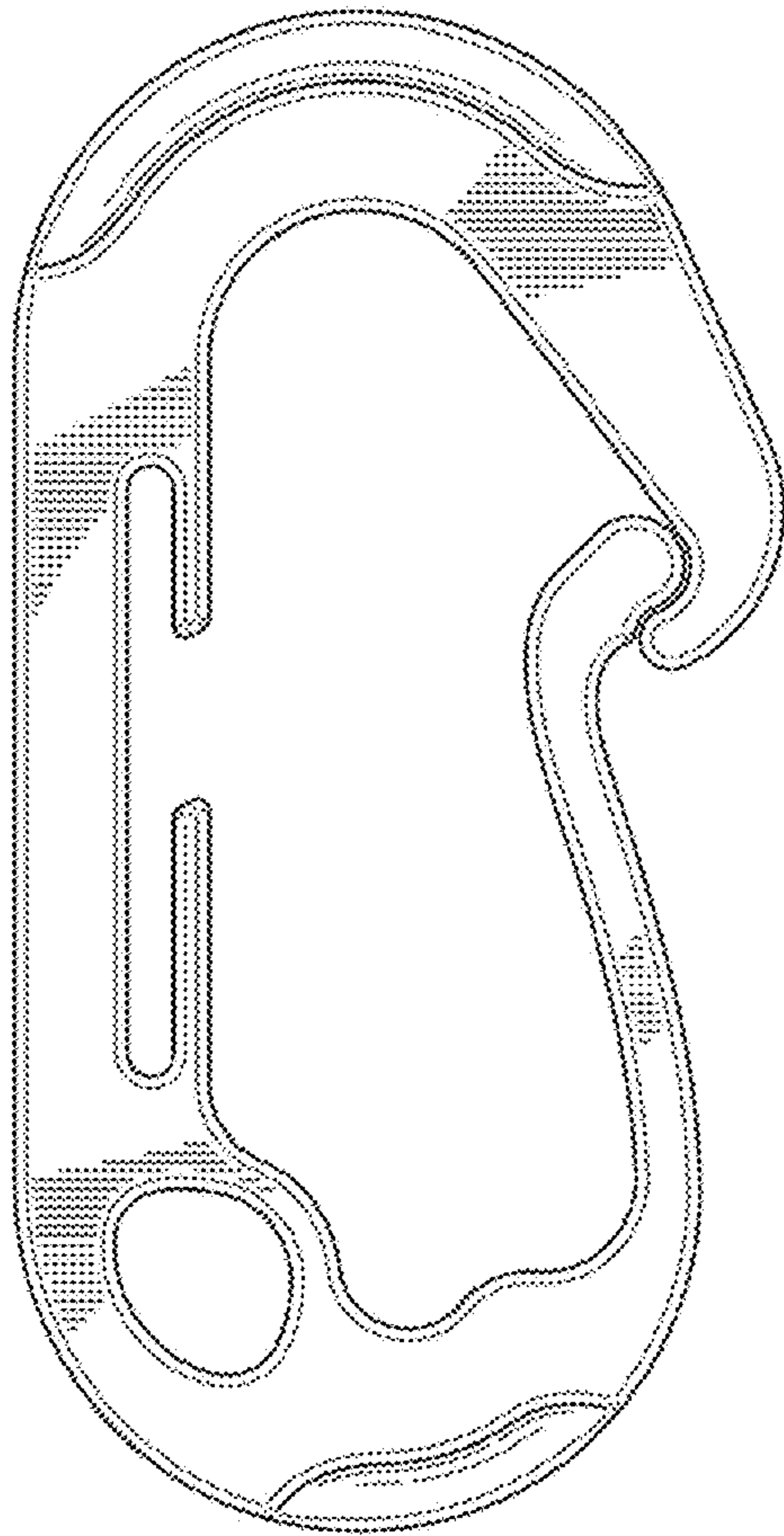
*FIG. 1*



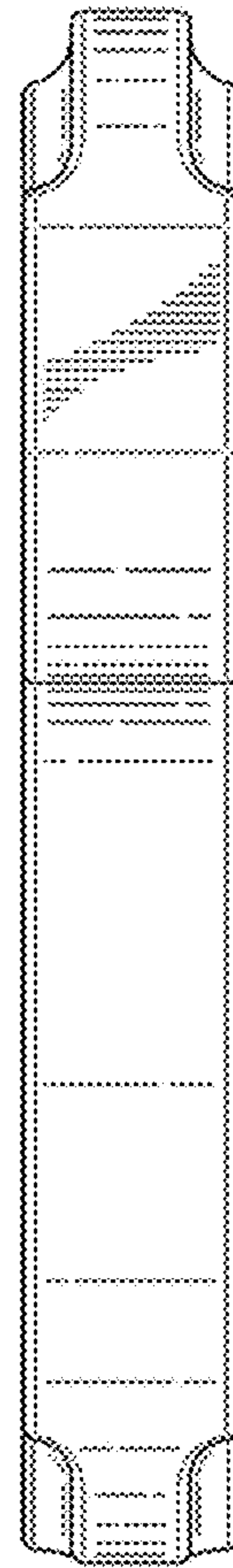
*FIG. 2*



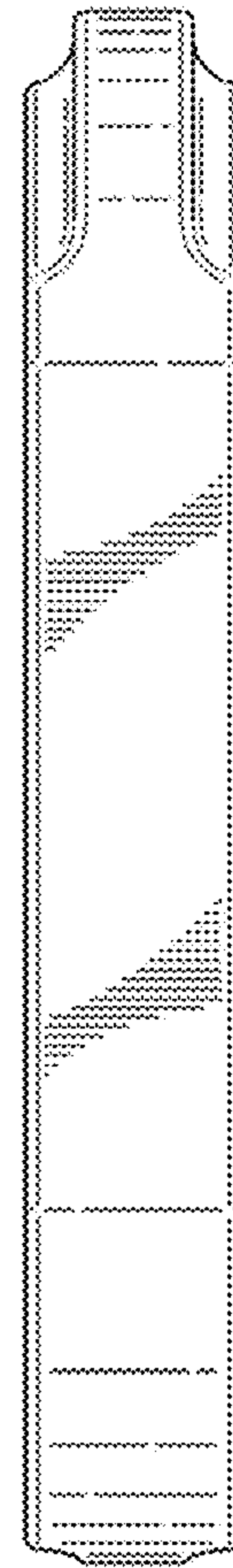
*FIG. 3*



*FIG. 4*



*FIG. 5*



*FIG. 6*