



US00D809369S

(12) **United States Design Patent** (10) **Patent No.:** **US D809,369 S**
Mays et al. (45) **Date of Patent:** **** Feb. 6, 2018**

(54) **HOSE REEL CONNECTION MEMBERS**

5,454,431 A 10/1995 Ledwig
D402,882 S * 12/1998 McBain D8/358
5,897,073 A 4/1999 McVaugh
7,143,971 B2 12/2006 Yoder et al.

(71) Applicant: **Polypipe Handling Specialists, Inc.**,
Edmond, OK (US)

(Continued)

(72) Inventors: **P. Mike Mays**, Edmond, OK (US);
Trevor J. Mays, Edmond, OK (US);
Michael K. Mays, Edmond, OK (US)

OTHER PUBLICATIONS

(73) Assignee: **Polypipe Handling Specialists, Inc.**,
Edmond, OK (US)

Frac Tank Deployment System (FTDS). (2013). Hippo Frac Tank.
[Brochure]. Retrieved from www.sei-ind.com.

(**) Term: **15 Years**

Primary Examiner — Cynthia Underwood

(21) Appl. No.: **29/558,691**

(74) *Attorney, Agent, or Firm* — Dunlap Codding, P.C.

(22) Filed: **Mar. 21, 2016**

(57) **CLAIM**

The ornamental design for hose reel connection members, as shown and described.

Related U.S. Application Data

DESCRIPTION

(63) Continuation of application No. 14/173,564, filed on
Feb. 5, 2014, now Pat. No. 9,290,357.

(51) **LOC (11) Cl.** **09-06**

(52) **U.S. Cl.**
USPC **D8/356; D8/358**

(58) **Field of Classification Search**
USPC D8/356, 354, 349; 206/233; 320/107;
D32/14; D28/10, 39, 41
CPC B65H 57/16; E02D 5/803; B63B 21/045;
B63B 59/02; B60D 1/18; B60P 1/103;
B60P 7/0823; Y10T 24/3918; A62B
35/0081; H04R 1/1033; A44B 13/0029;
H02G 3/045; A21C 9/08; H02J 7/0021;
B08B 9/045

See application file for complete search history.

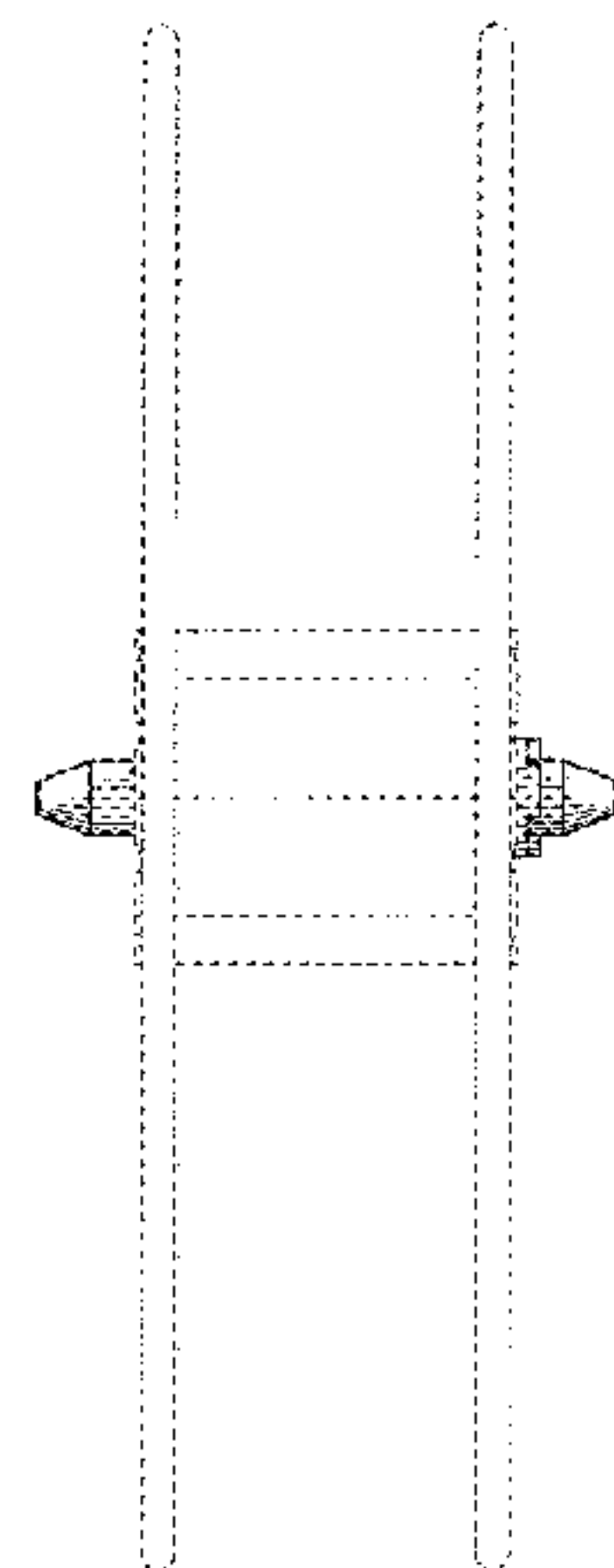
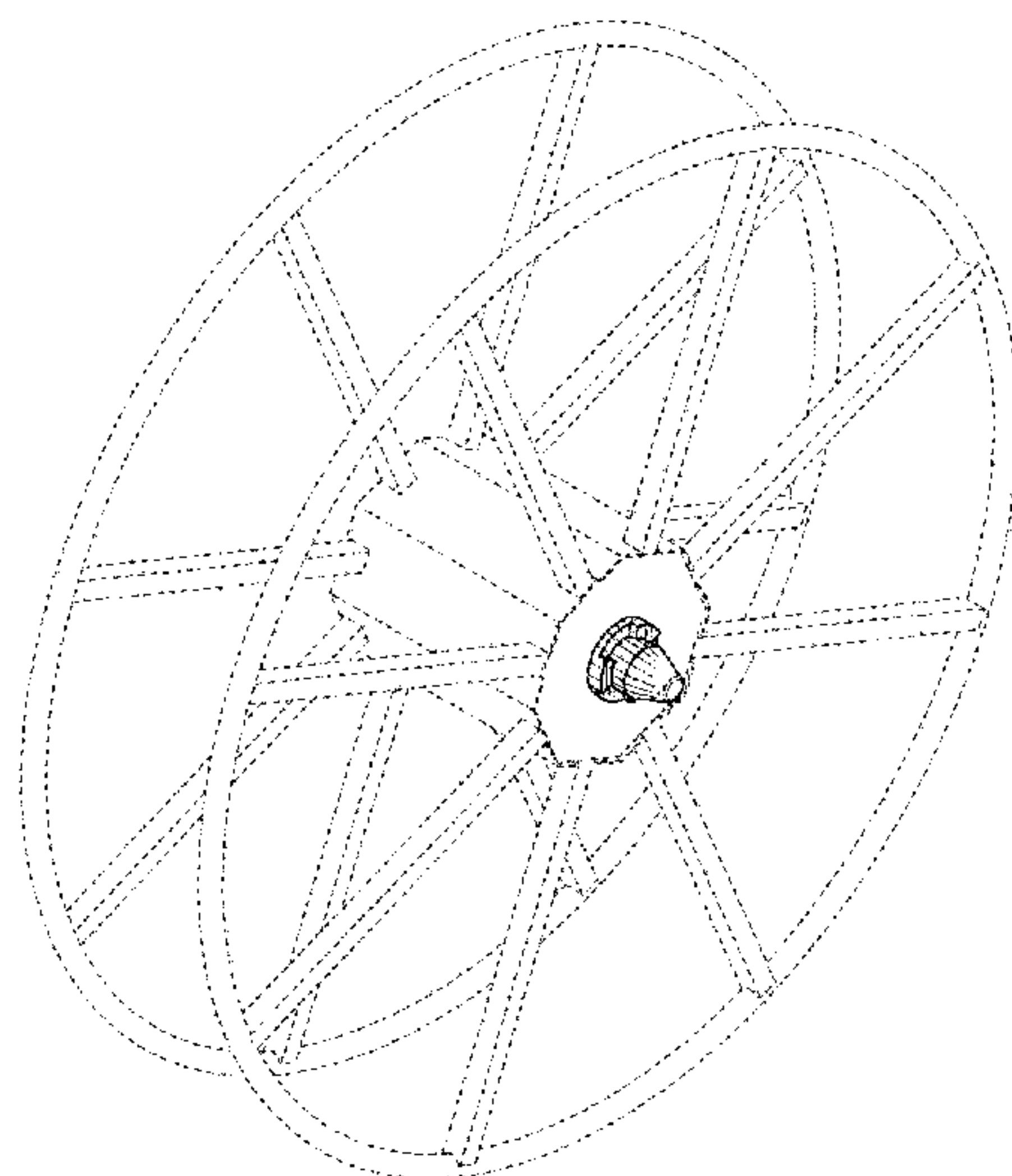
FIG. 1 is a front perspective view of a first hose reel connection member showing our new design.
FIG. 2 is a rear perspective view of a second hose reel connection member showing our new design.
FIG. 3 is a side elevational view of the first hose reel connection member.
FIG. 4 is a side elevational view of the second hose reel connection member.
FIG. 5 is a front elevational view of the first hose reel connection member and the second hose reel connection member.
FIG. 6 is a rear elevational view of the first hose reel connection member and the second hose reel connection member.
FIG. 7 is a top plan view of the first hose reel connection member and the second hose reel connection member; and, FIG. 8 is a bottom plan view of the first hose reel connection member and the second hose reel connection member.
The broken lines represent environment that forms no part of the claim.

(56) **References Cited**

U.S. PATENT DOCUMENTS

4,148,445 A 4/1979 Reynolds et al.
4,586,677 A 5/1986 Nevarez
5,083,722 A 1/1992 Briggs et al.
D334,835 S * 4/1993 Randolph D3/23

1 Claim, 6 Drawing Sheets



(56)

References Cited

U.S. PATENT DOCUMENTS

7,431,267	B1	10/2008	Cunningham	
7,566,024	B2	7/2009	Krise et al.	
D606,845	S *	12/2009	Taatjes	D8/358
7,673,697	B2	3/2010	Peterson	
7,793,881	B1	9/2010	Torres	
D686,487	S *	7/2013	Handa	D8/356
D706,117	S *	6/2014	Toimil	D13/154
D713,241	S *	9/2014	Yajima	D8/358
D741,151	S *	10/2015	Iseminger	D8/356
2004/0227031	A1	11/2004	Yoder et al.	
2005/0244250	A1 *	11/2005	Okada	F16B 5/065 411/508
2010/0314482	A1	12/2010	Merkt	
2012/0118397	A1	5/2012	Novotny et al.	
2013/0168484	A1	7/2013	Novotny et al.	

* cited by examiner

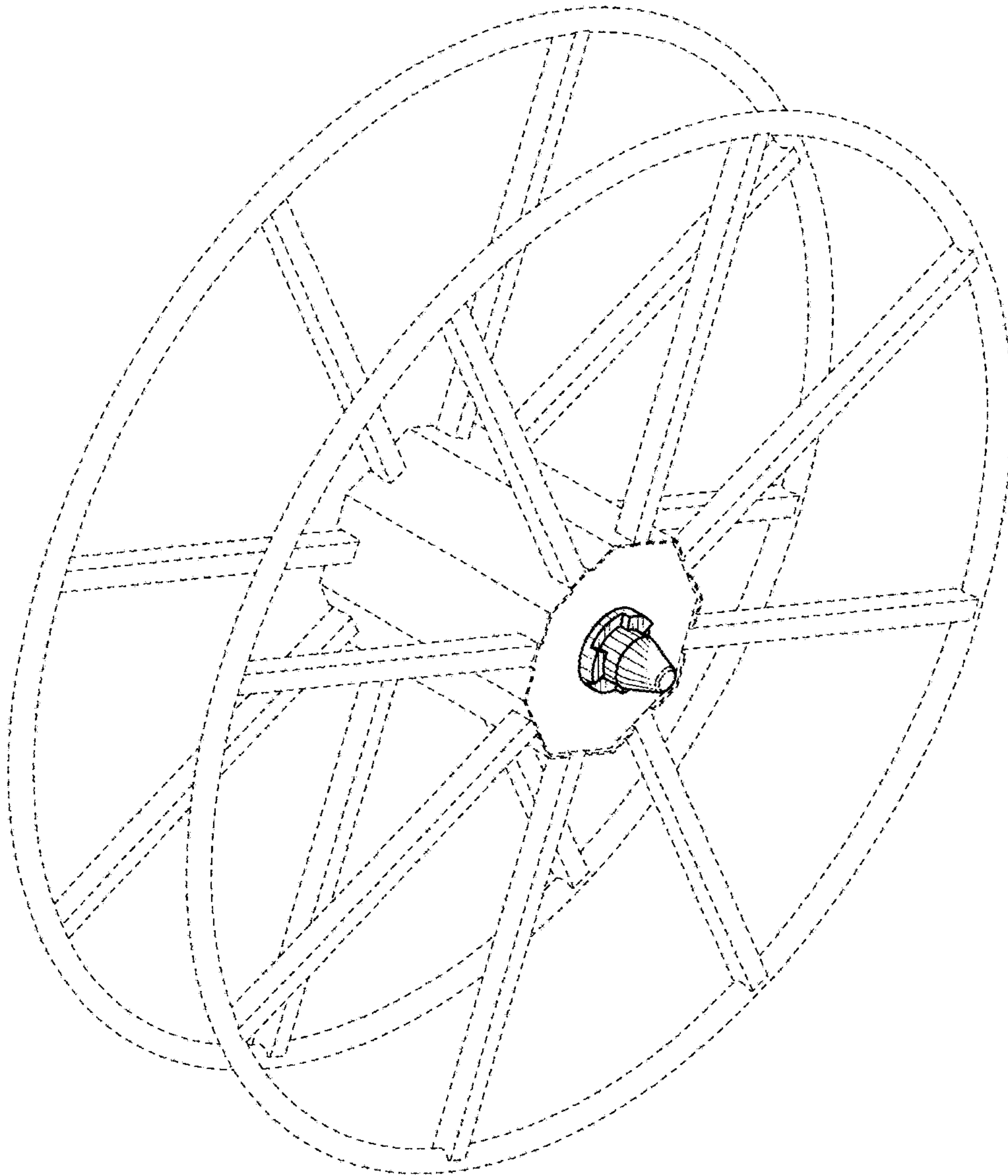


FIG. 1

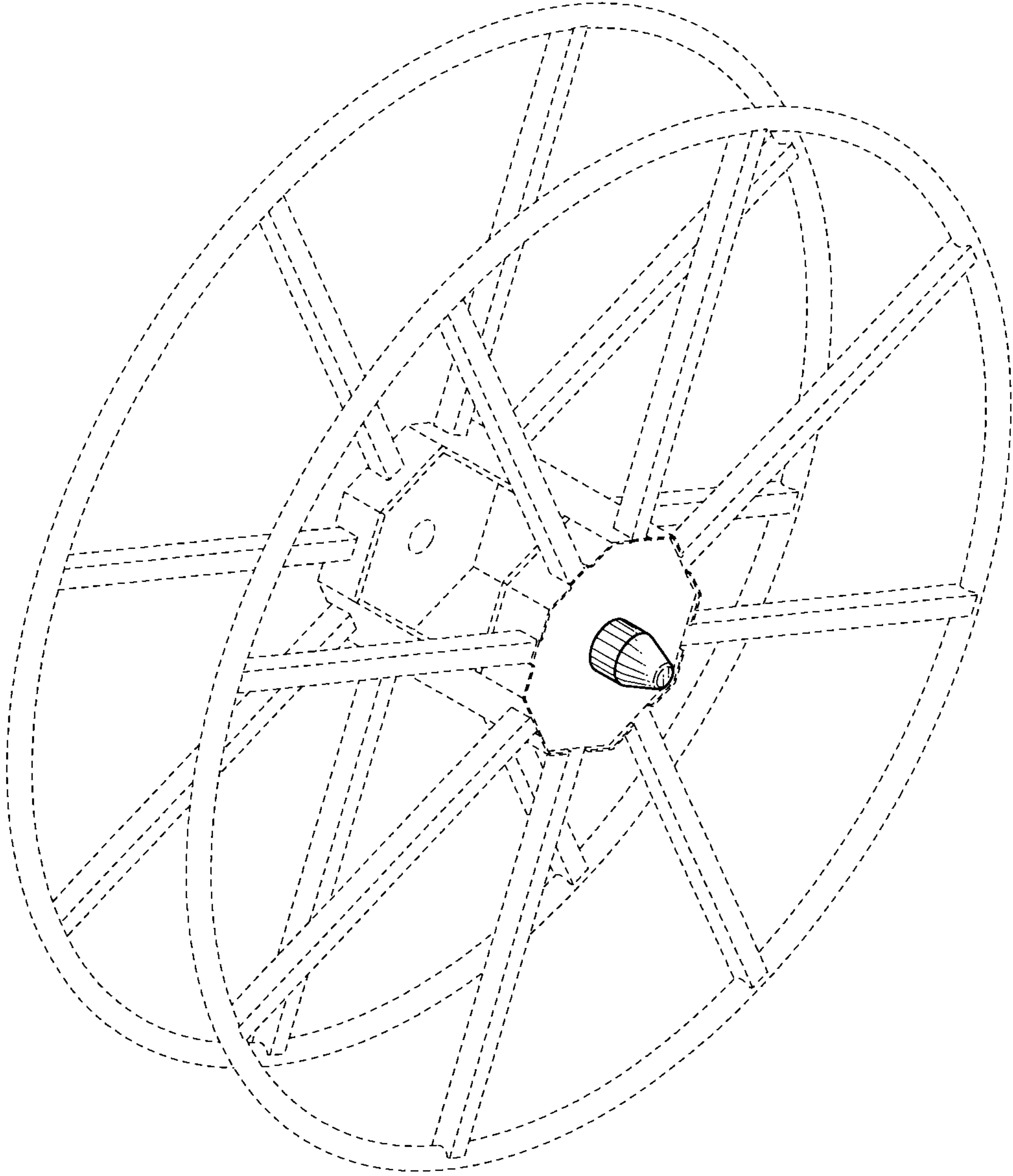


FIG. 2

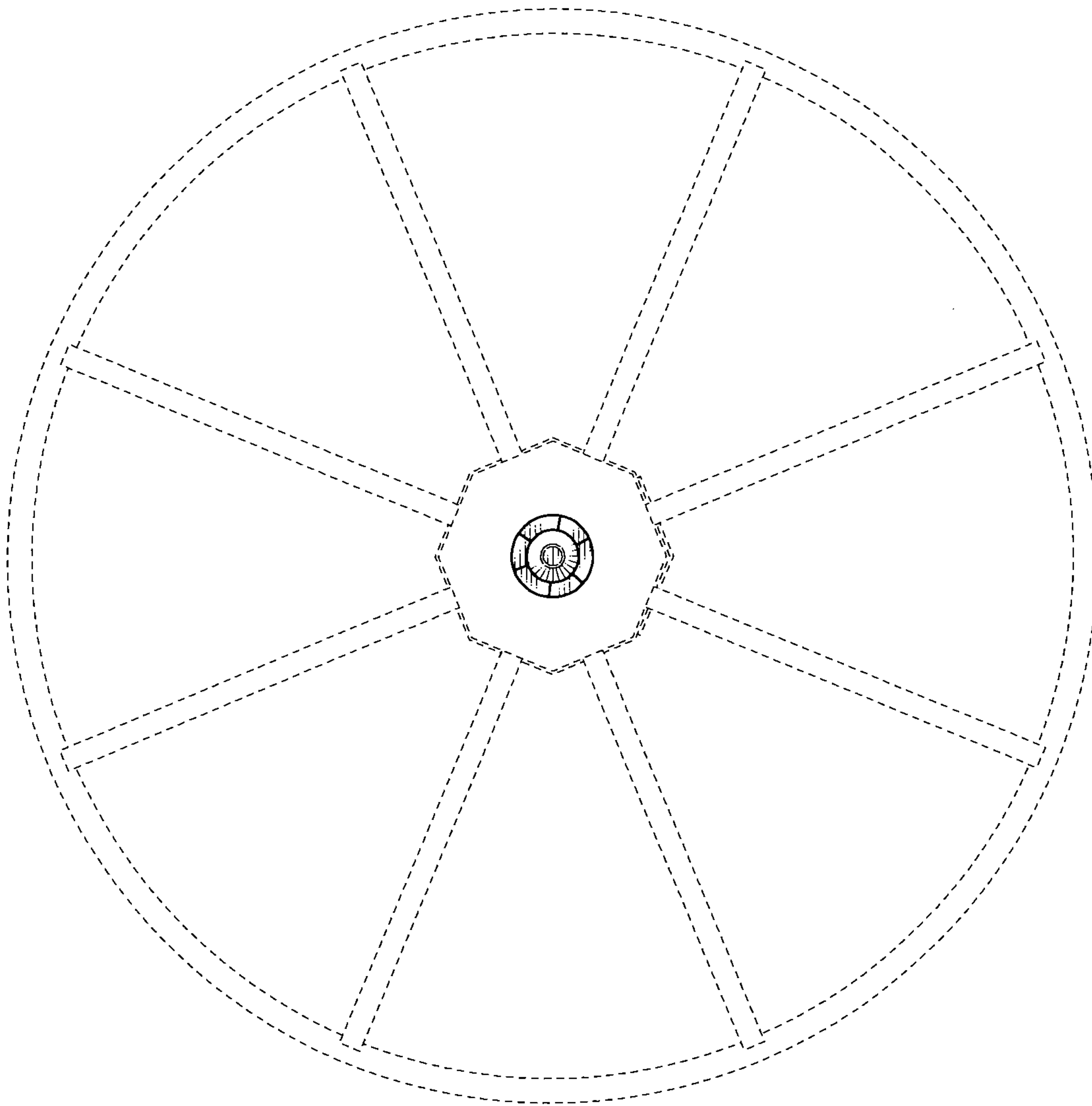


FIG. 3

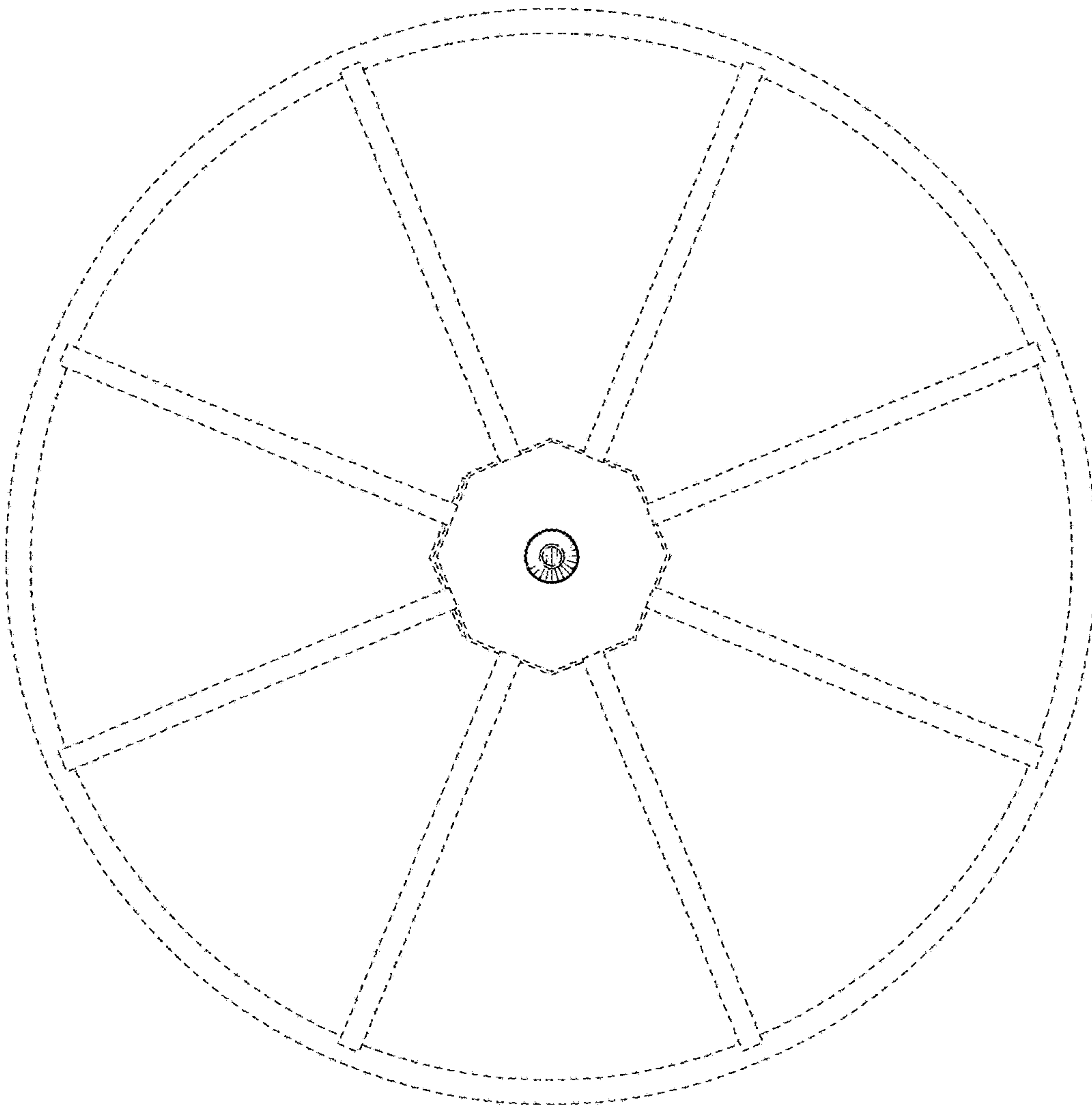


FIG. 4

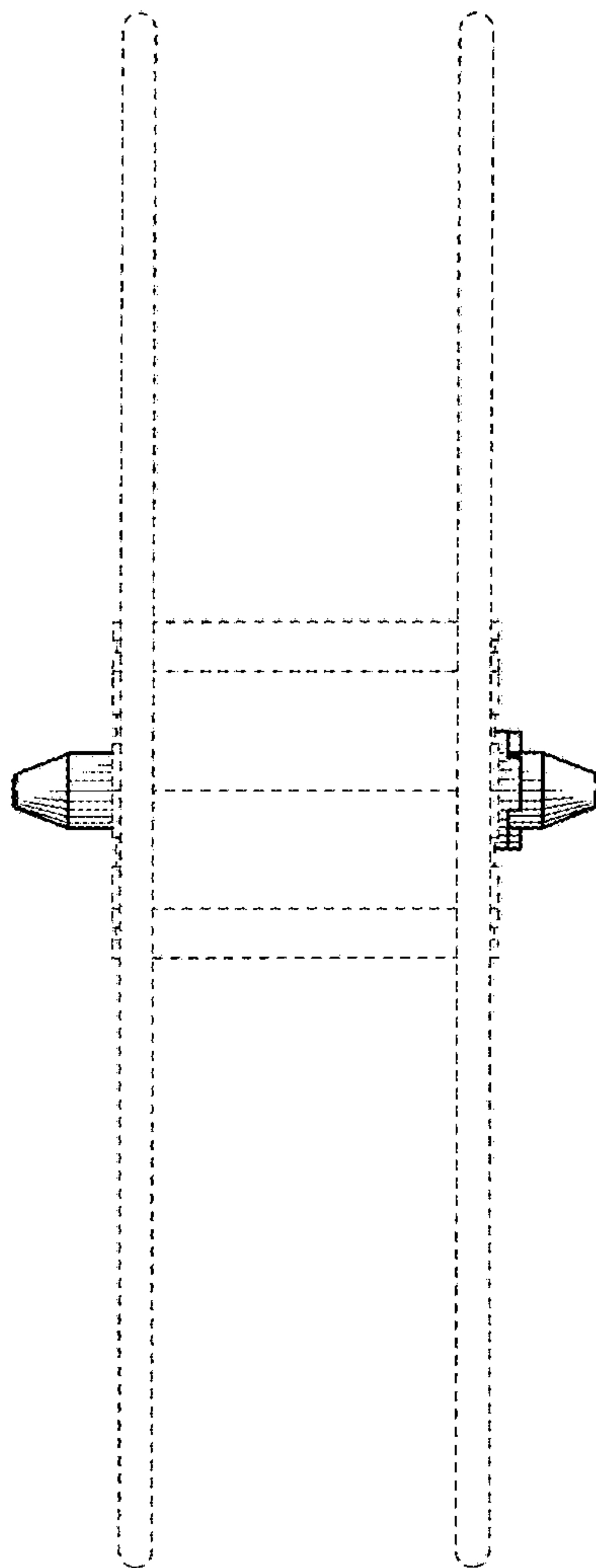


FIG. 5

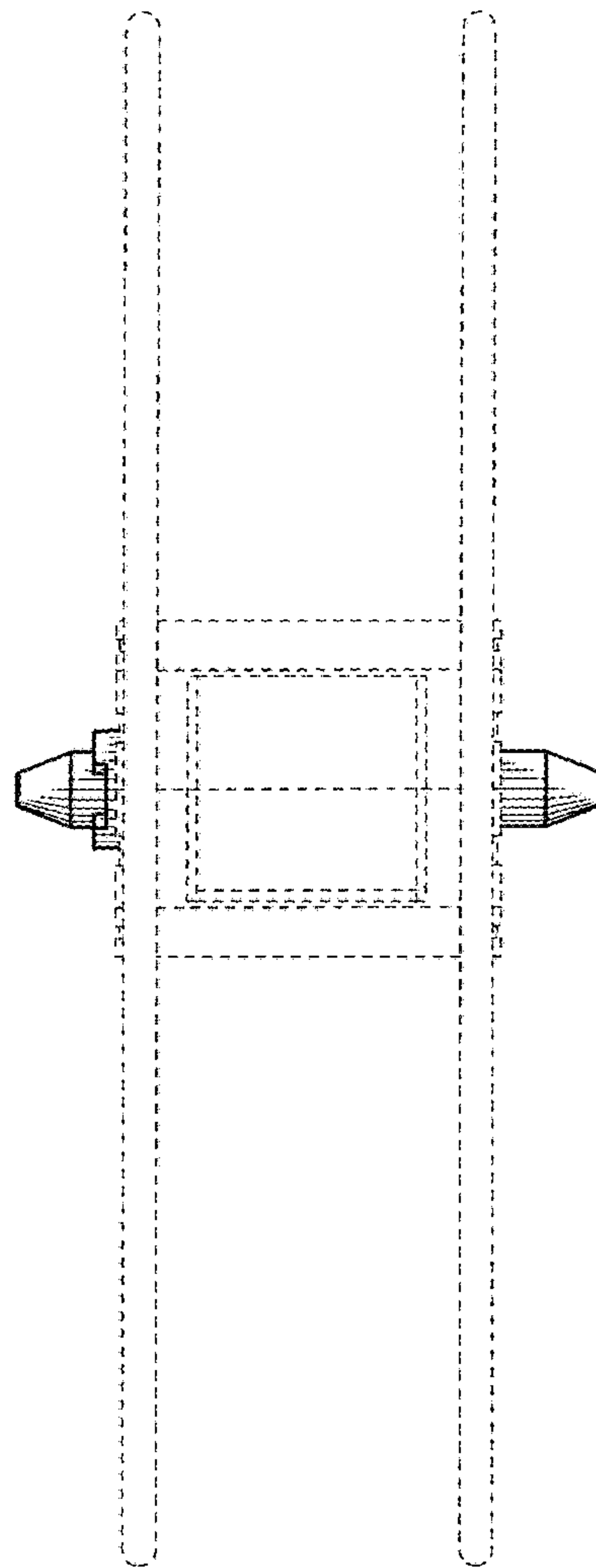


FIG. 6

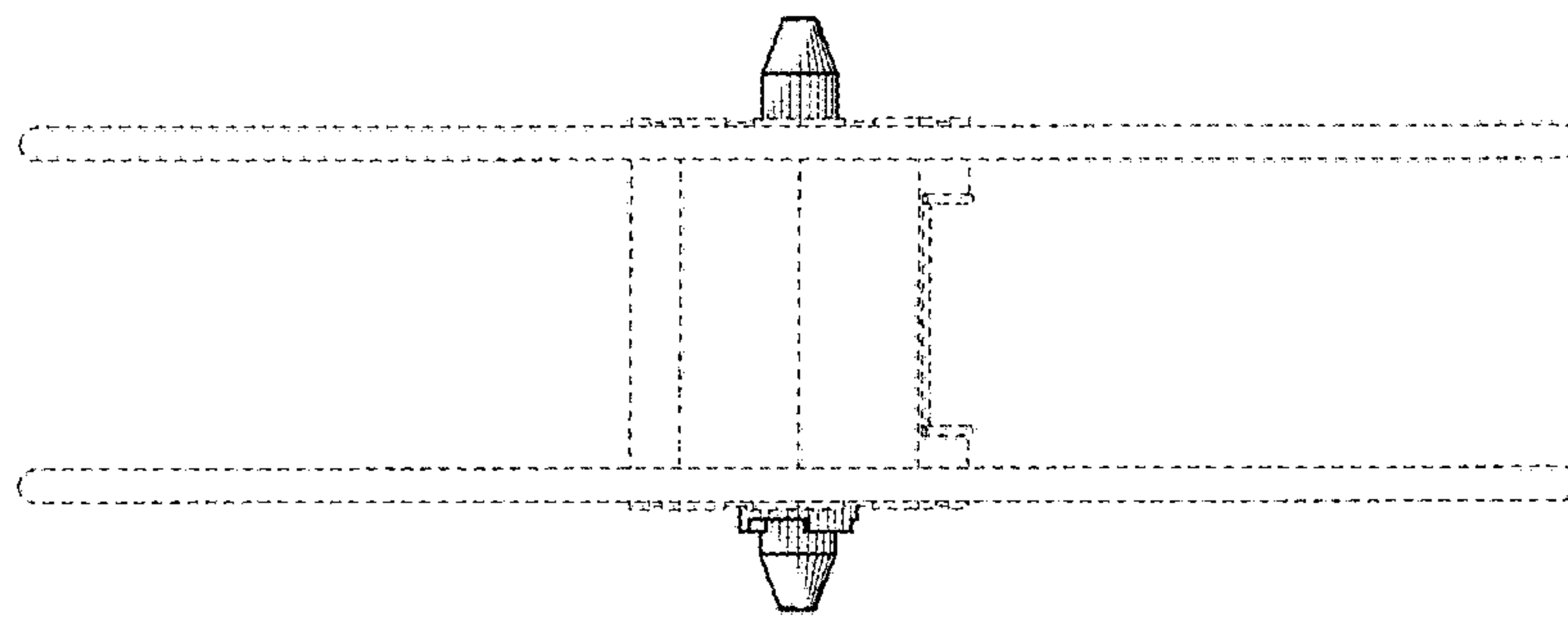


FIG. 7

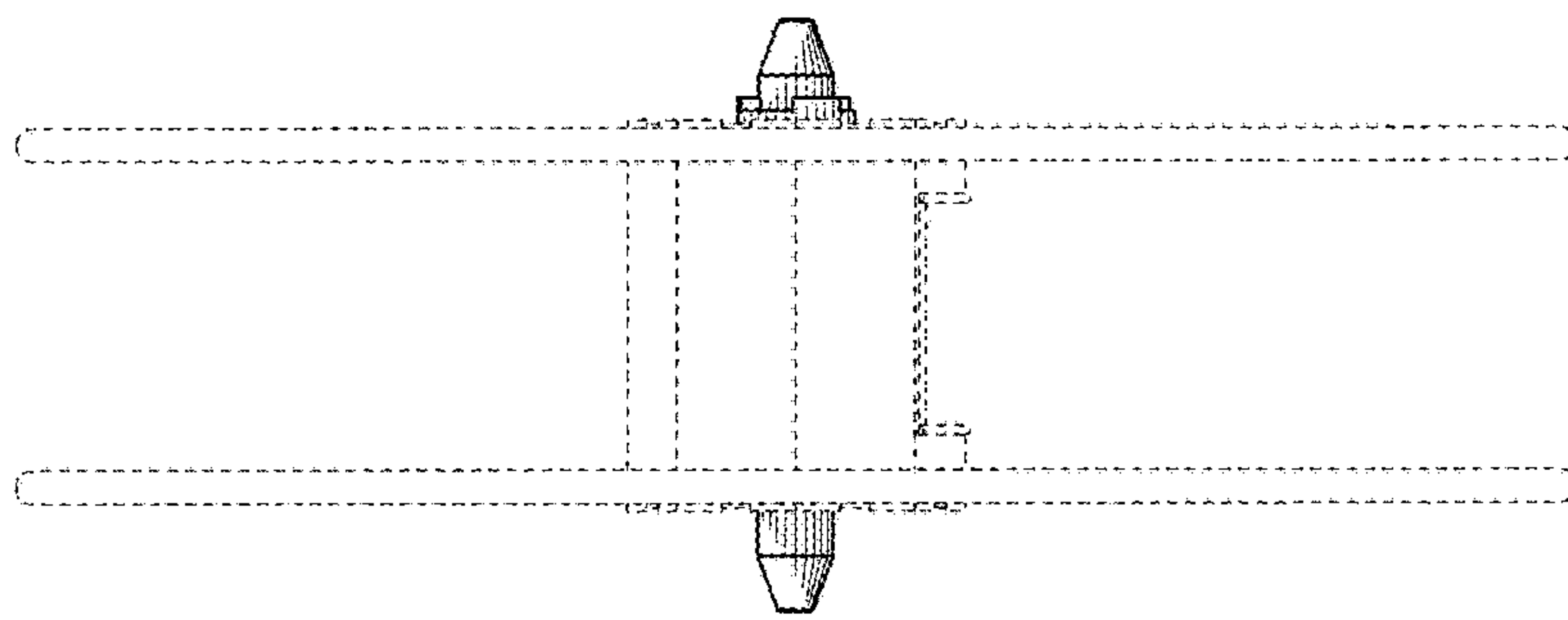


FIG. 8