



US00D809367S

(12) **United States Design Patent** (10) **Patent No.:** **US D809,367 S**  
**Kuo** (45) **Date of Patent:** **\*\* Feb. 6, 2018**

(54) **LOCK HOLDER**  
(71) Applicant: **Li-Hsin Kuo**, Tainan (TW)  
(72) Inventor: **Li-Hsin Kuo**, Tainan (TW)  
(\*\*) Term: **15 Years**  
(21) Appl. No.: **29/579,491**  
(22) Filed: **Sep. 30, 2016**  
(51) **LOC (11) Cl.** ..... **08-07**  
(52) **U.S. Cl.**  
USPC ..... **D8/331; D8/343**  
(58) **Field of Classification Search**  
USPC ..... D8/330, 331, 343, 346, 398, 394, 449;  
70/57, 57.1, 51-56, 416, 485, 486, 445,  
70/419, 431, 422, 158, DIG. 26, 20-30,  
70/93, 160, 233; 206/580, 223; 224/413,  
224/425, 428, 441, 935  
CPC ..... E05B 1/00; E05B 9/00; E05B 9/04; E05B  
9/08; E05B 67/02; E05B 17/0004  
See application file for complete search history.

6,422,442 B1 \* 7/2002 McDaid ..... B62H 5/00  
224/441  
6,557,808 B1 \* 5/2003 Ling ..... B62H 5/00  
224/425  
7,311,233 B2 \* 12/2007 Chen ..... B62J 11/00  
224/425  
8,851,348 B2 \* 10/2014 Zuraski ..... B62H 5/00  
224/425  
D778,140 S \* 2/2017 Heinemann ..... D8/343

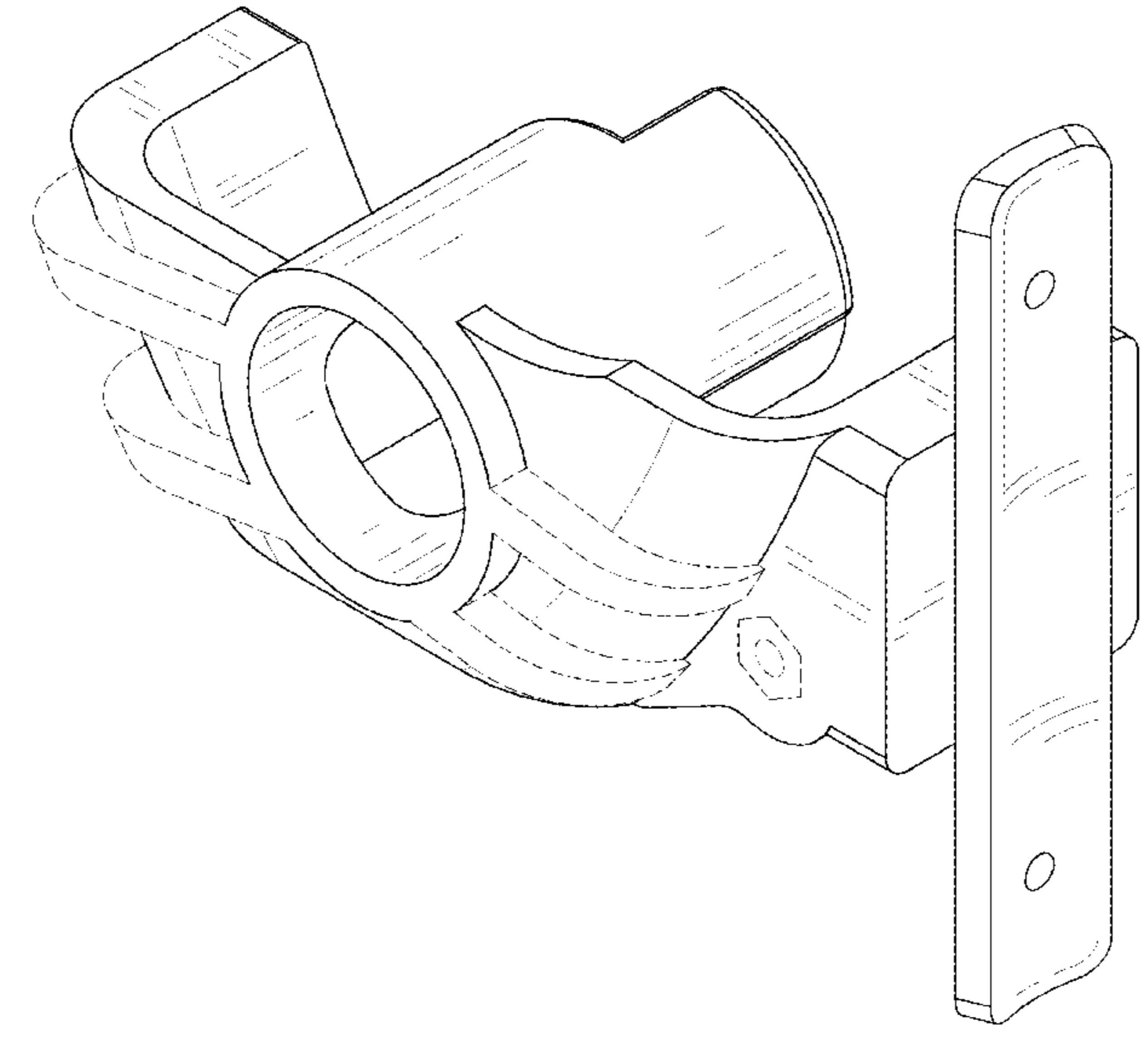
\* cited by examiner  
*Primary Examiner* — Prabhakar G Deshmukh  
(74) *Attorney, Agent, or Firm* — Rosenberg, Klein & Lee

(56) **References Cited**  
U.S. PATENT DOCUMENTS  
D274,691 S \* 7/1984 Wallace ..... D8/336  
4,736,921 A \* 4/1988 Zane ..... B62J 11/00  
224/935  
5,179,848 A \* 1/1993 Kief ..... B62J 11/00  
224/413  
5,405,113 A \* 4/1995 Jaw ..... B62J 11/00  
224/425  
5,458,308 A \* 10/1995 Lin ..... B62J 11/00  
224/425  
5,662,255 A \* 9/1997 Lu ..... B62J 11/00  
224/428  
5,785,289 A \* 7/1998 Shieh ..... B62H 5/003  
248/230.1  
D419,425 S \* 1/2000 Clark ..... D8/343

(57) **CLAIM**  
The ornamental design for a lock holder, as shown and described.

**DESCRIPTION**  
FIG. 1 is a perspective view of my new design for a lock holder;  
FIG. 2 is a front view thereof;  
FIG. 3 is a rear view thereof;  
FIG. 4 is a left view thereof;  
FIG. 5 is a right view thereof;  
FIG. 6 is a top plan view thereof;  
FIG. 7 is a bottom plan view thereof;  
FIG. 8 is another perspective view thereof;  
FIG. 9 is the other perspective view thereof; and,  
FIG. 10 is a perspective view thereof, shown in a state of use.  
The broken lines in FIGS. 1-9 illustrate unclaimed portions and the broken lines in FIG. 10 illustrate the environment of the claimed design. None of the broken lines forms part of the claimed design.

**1 Claim, 10 Drawing Sheets**



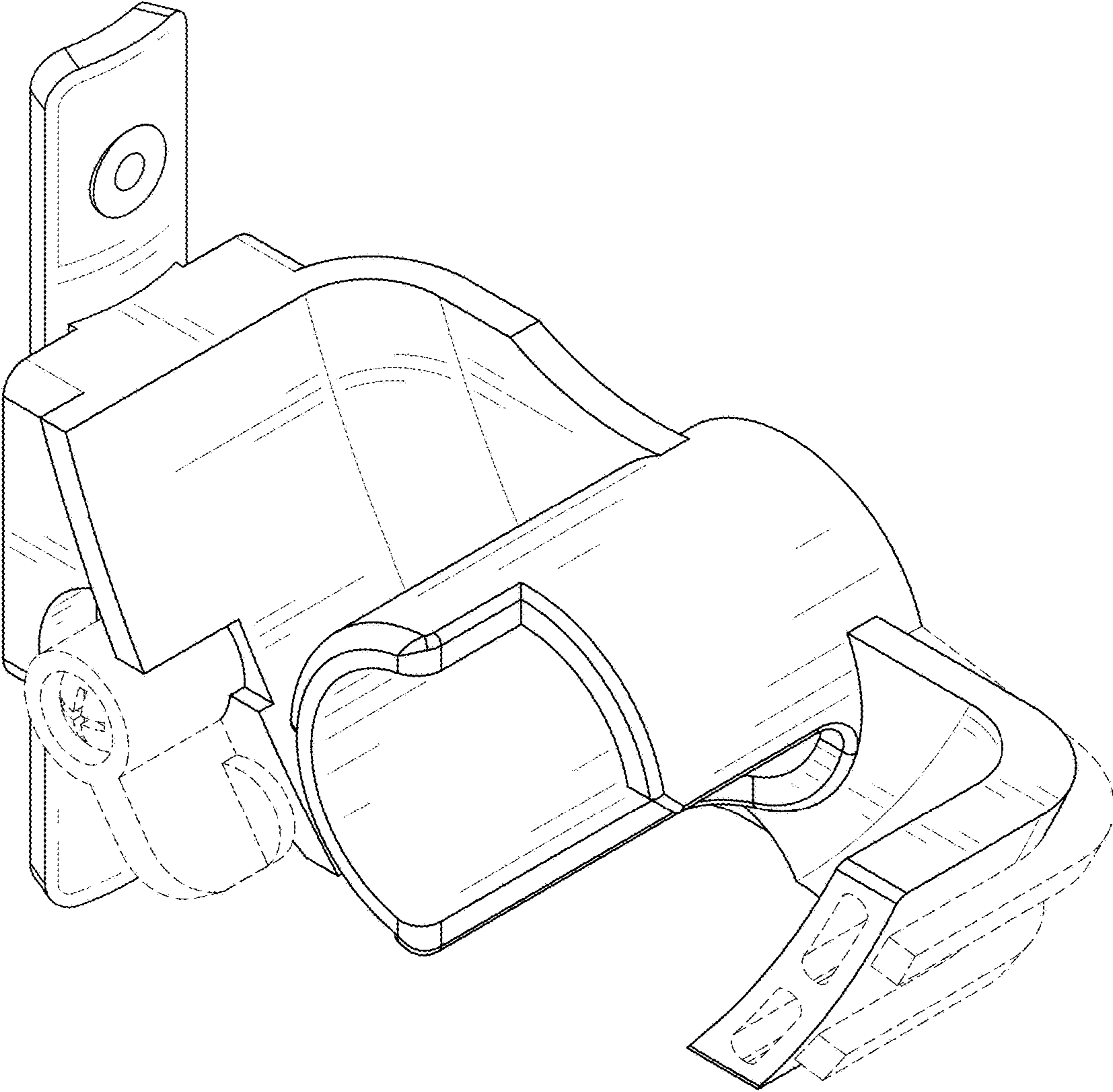


FIG. 1

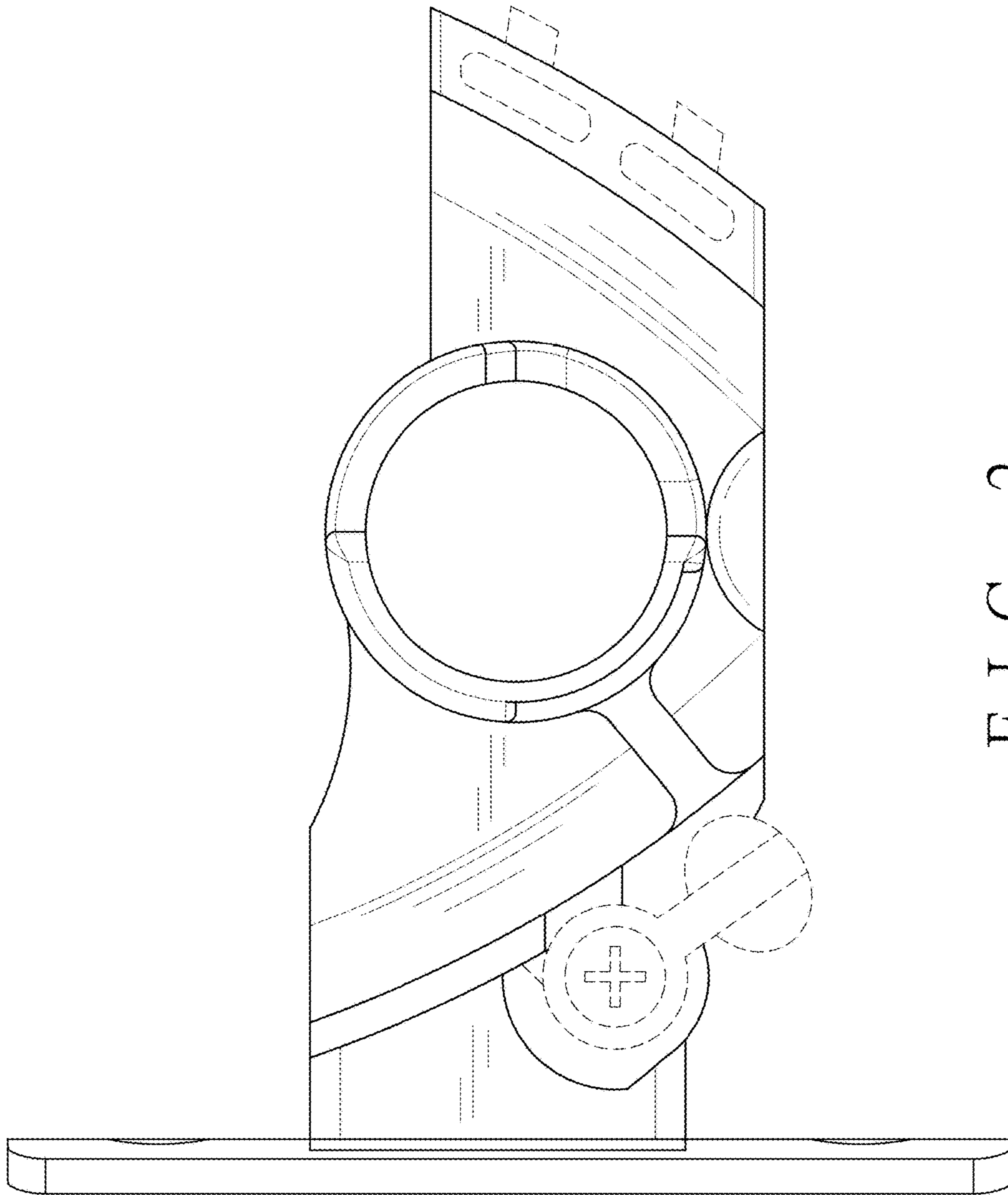


FIG. 2

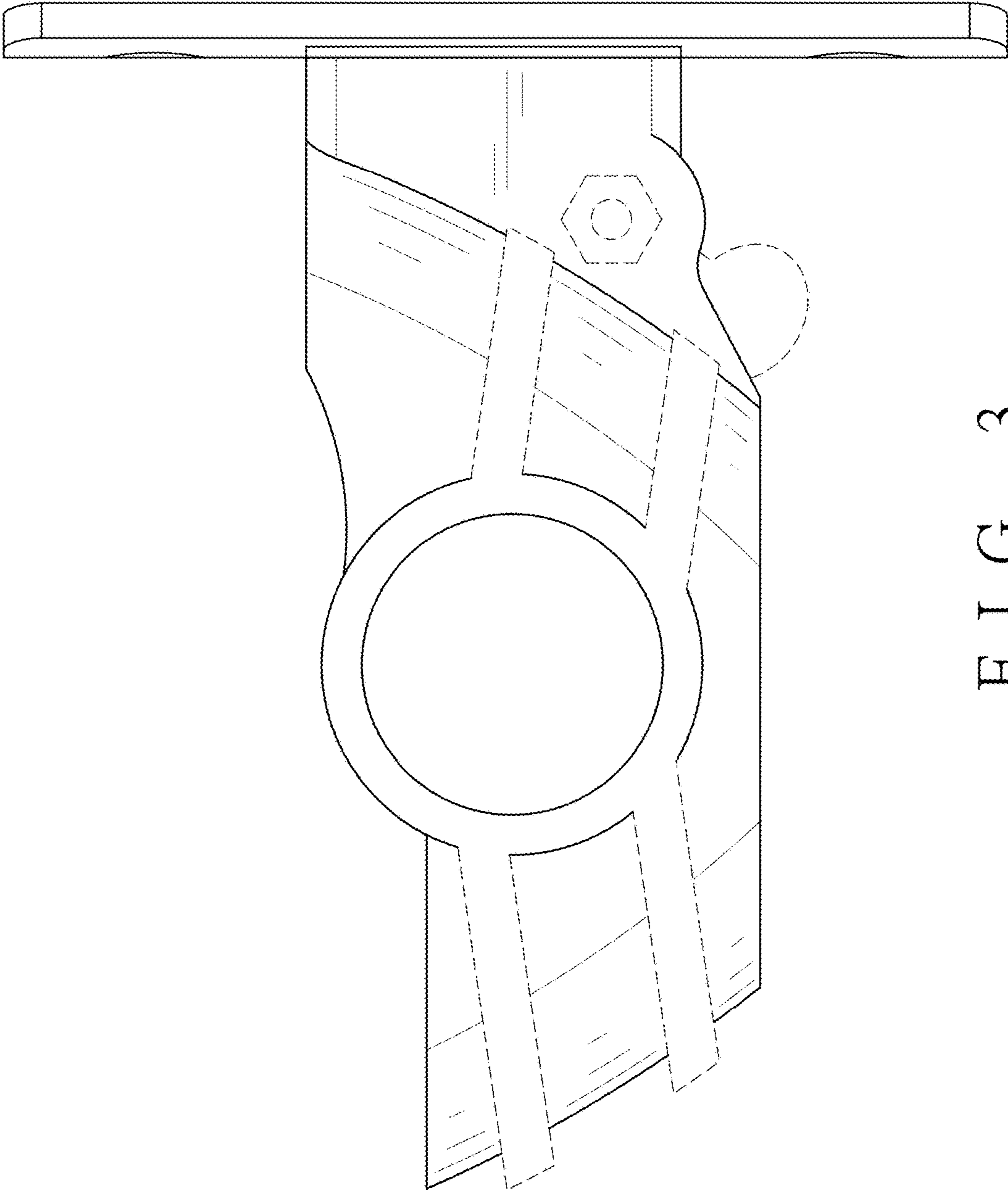


FIG. 3

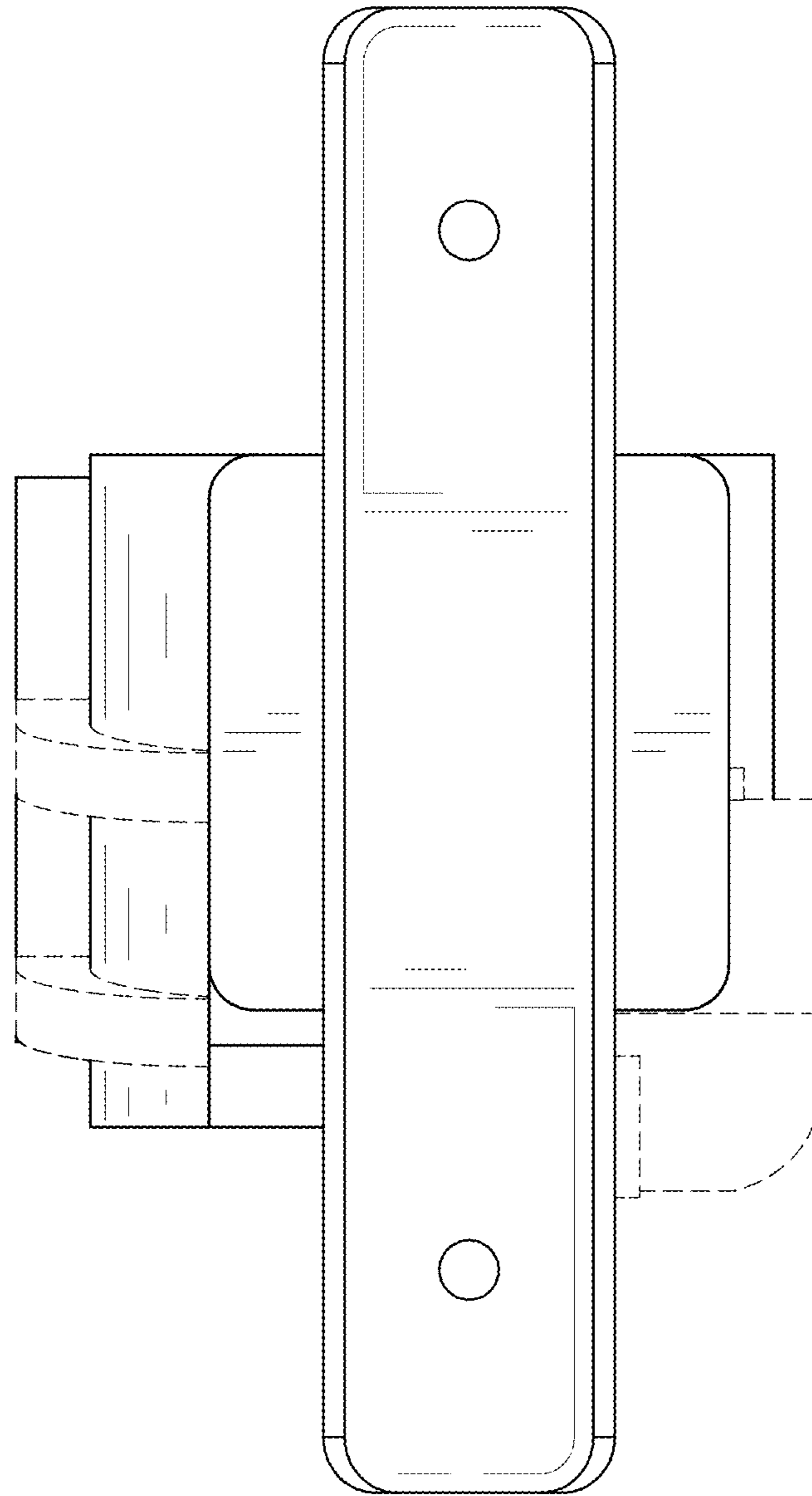


FIG. 4

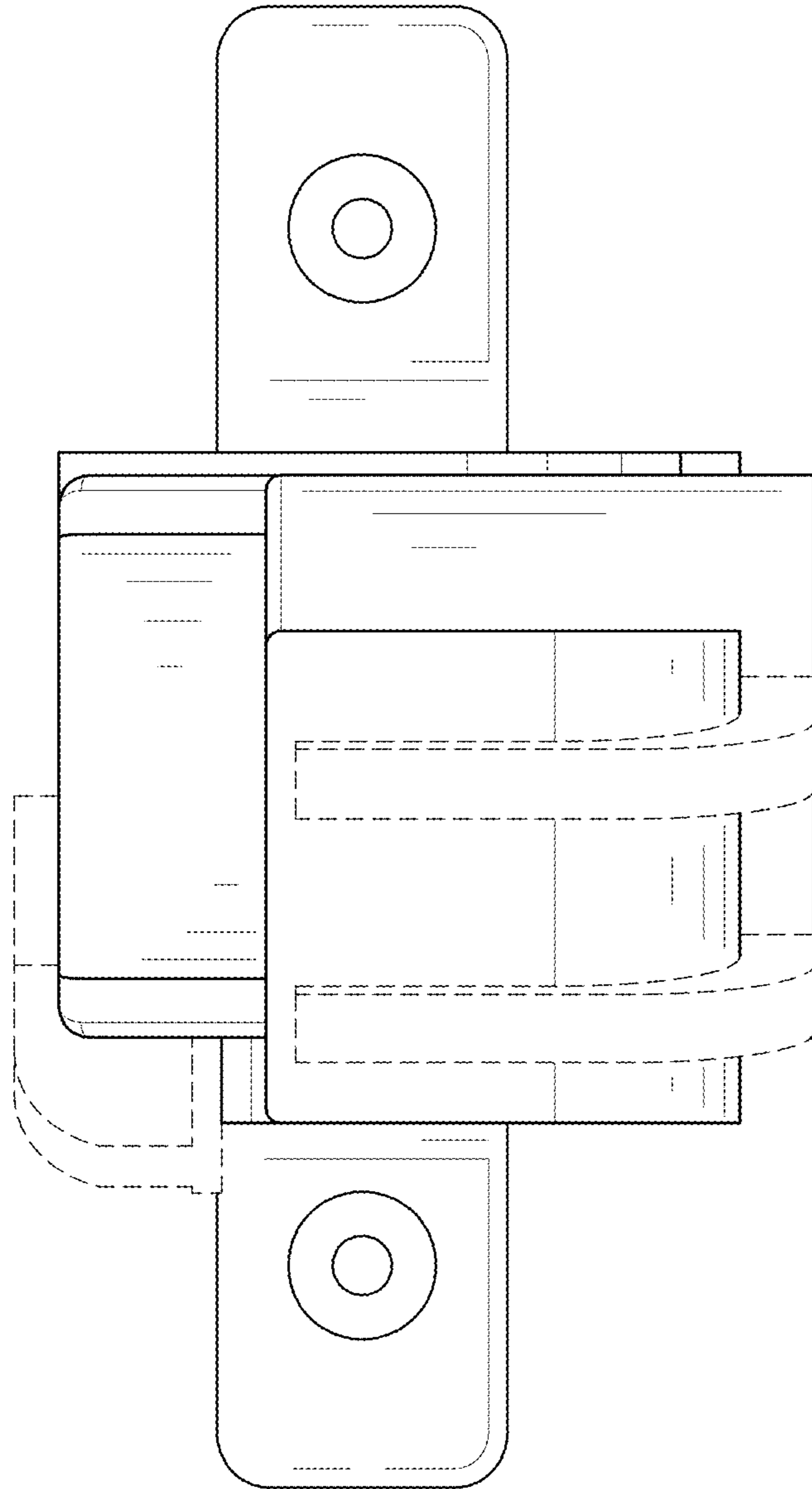


FIG. 5

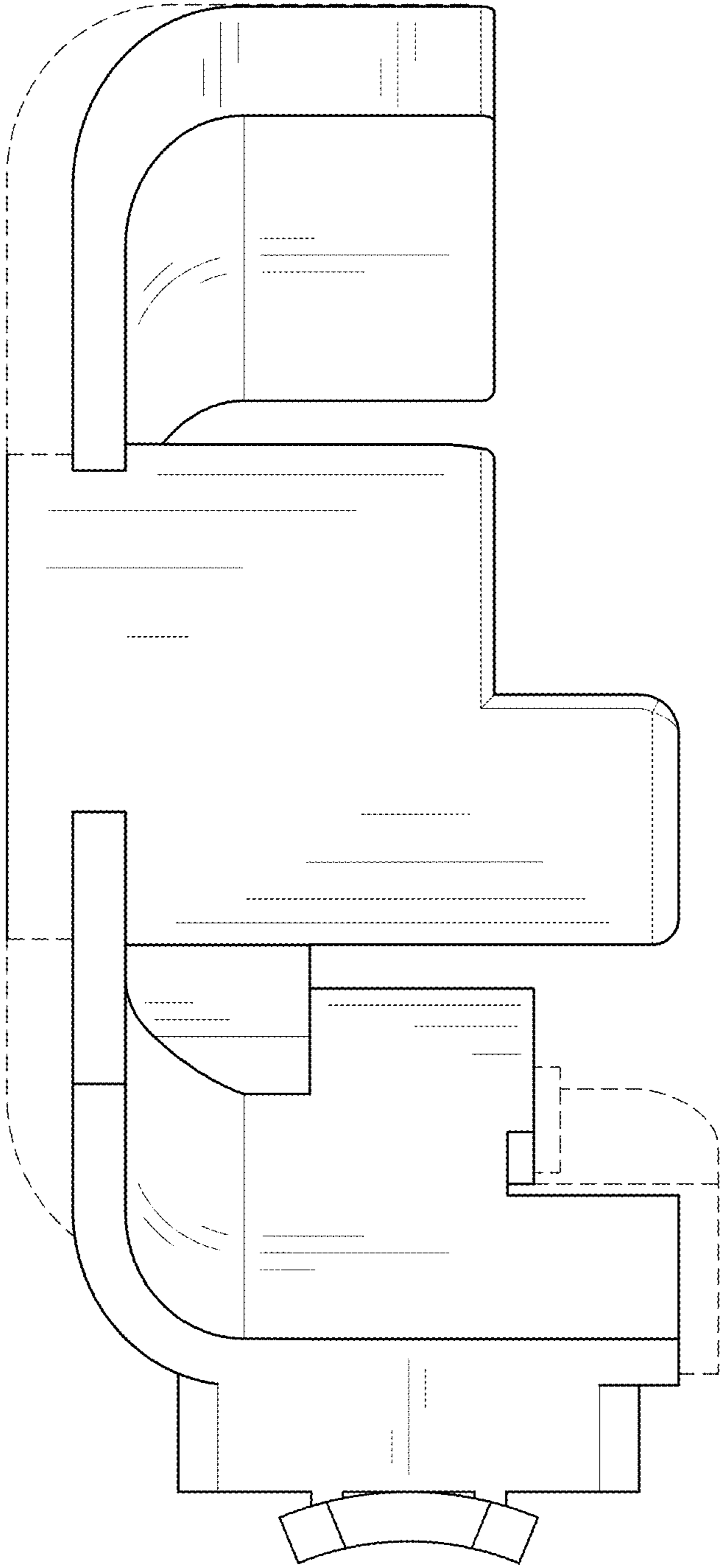


FIG. 6

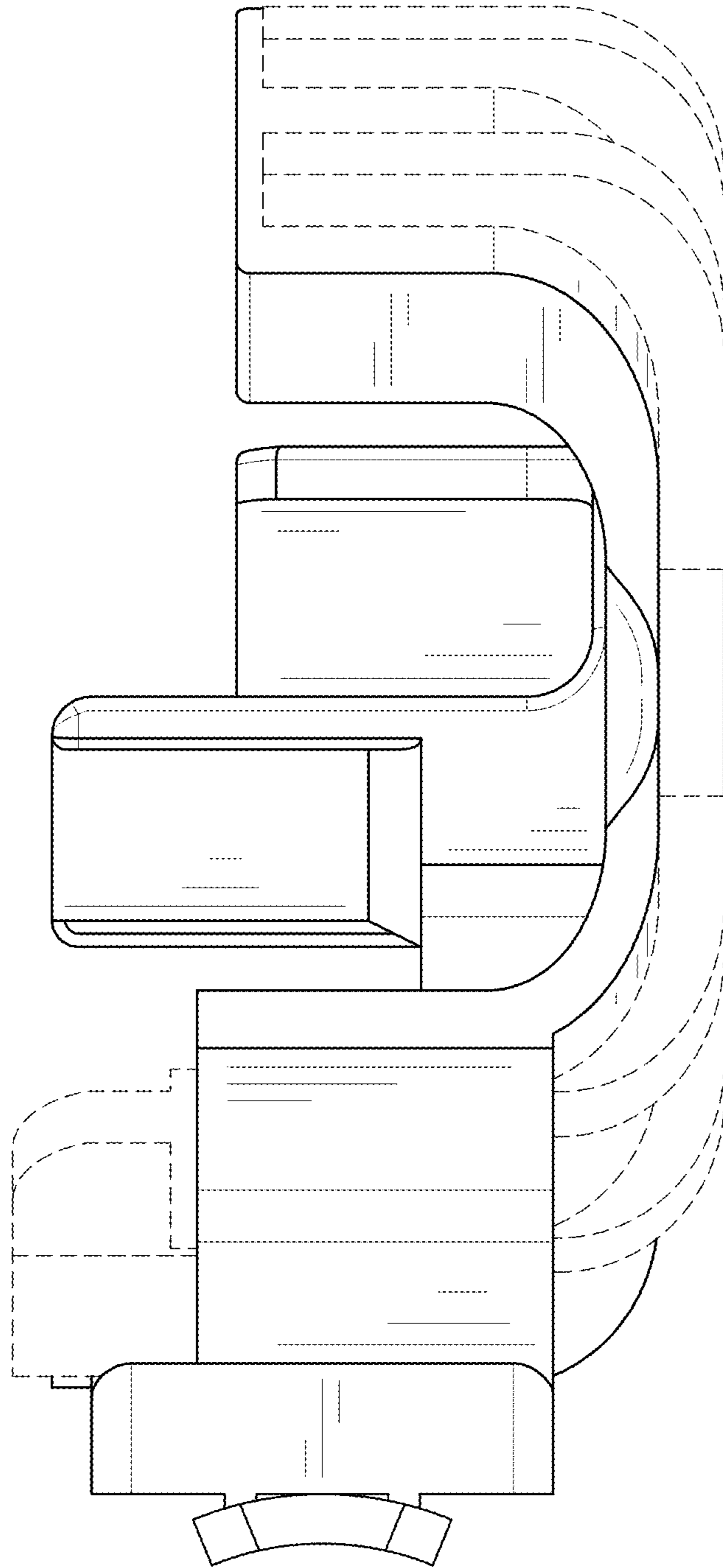


FIG. 7



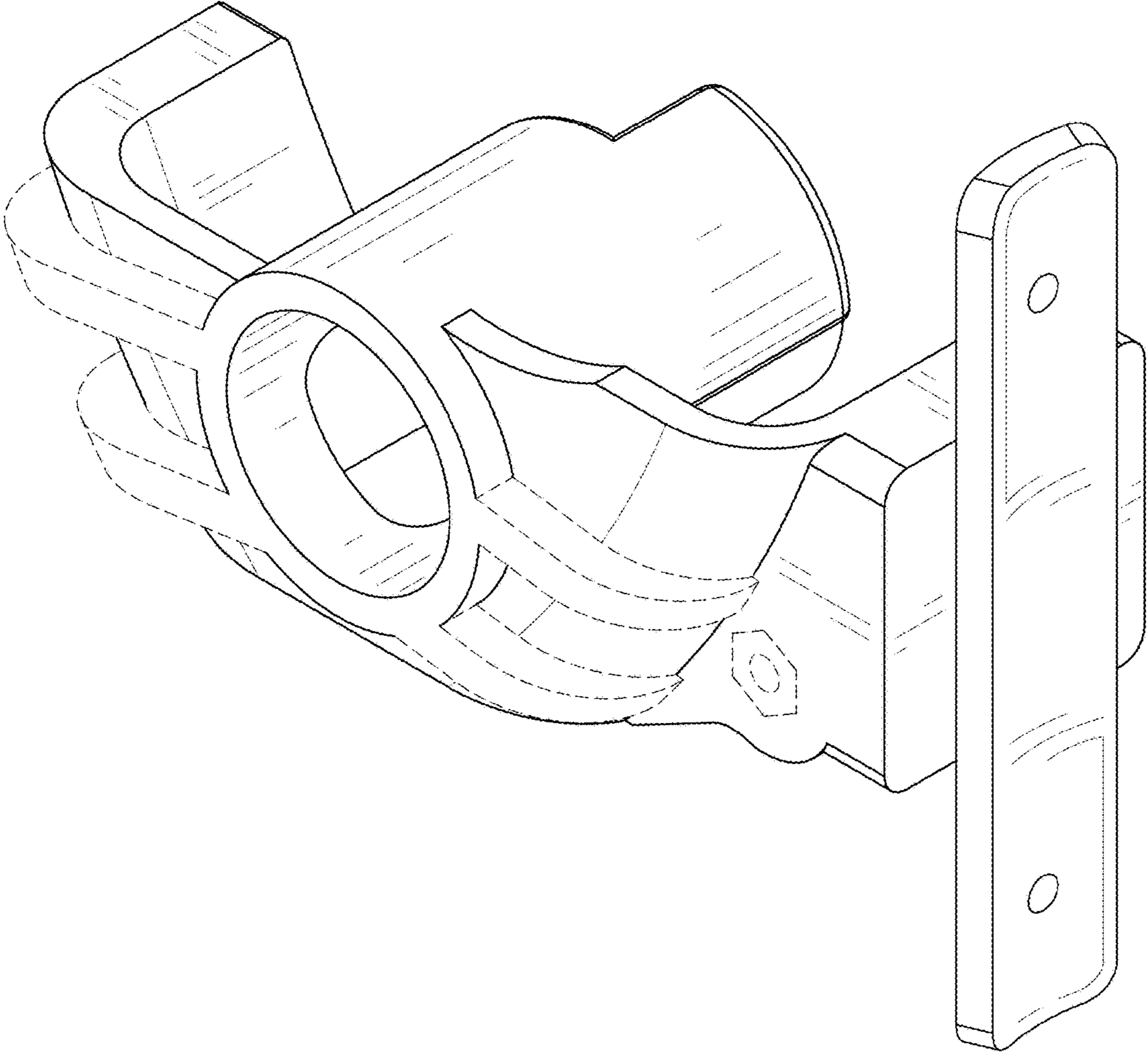


FIG. 8

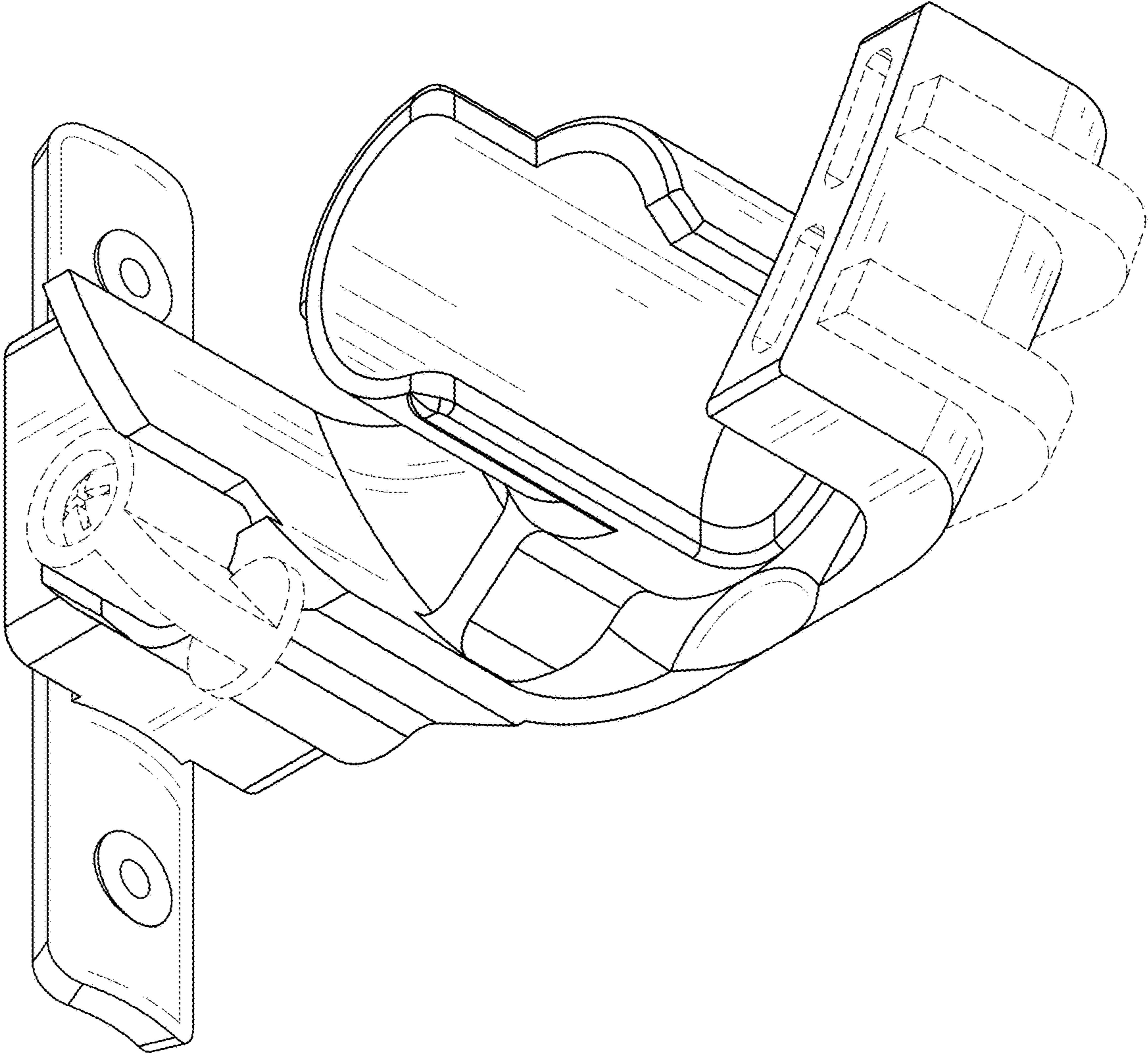


FIG. 9

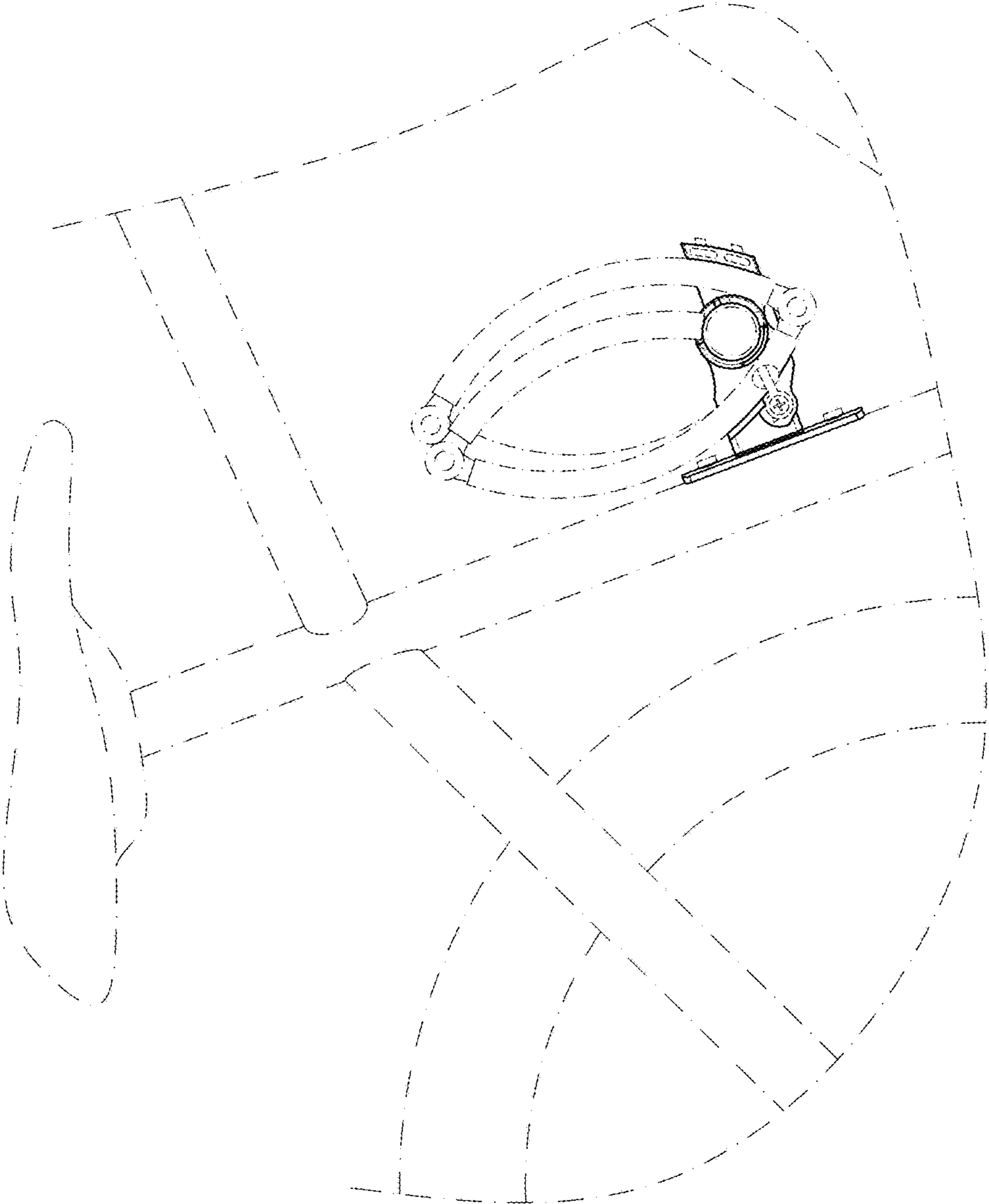


FIG. 10