



US00D809364S

(12) **United States Design Patent** (10) **Patent No.:** **US D809,364 S**  
**Nelson** (45) **Date of Patent:** **\*\* Feb. 6, 2018**

(54) **TOOL GRIP**

(71) Applicant: **Home Depot Product Authority, LLC**,  
Atlanta, GA (US)

(72) Inventor: **Michael R. Nelson**, Peachtree City, GA  
(US)

(73) Assignee: **Home Depot Product Authority, LLC**,  
Atlanta, GA (US)

(\*\*) Term: **15 Years**

(21) Appl. No.: **29/559,114**

(22) Filed: **Mar. 24, 2016**

(51) **LOC (11) Cl.** ..... **08-02**

(52) **U.S. Cl.**  
USPC ..... **D8/80**

(58) **Field of Classification Search**

USPC ..... D8/1, 11, 75-81, 107, 303  
CPC ..... A01B 1/20; A01B 1/227; A01G 23/099;  
B25D 1/00; B25D 1/045; B25D 1/06;  
B25G 1/10; B25G 1/01; B25G 1/08;  
B25G 3/28; B25G 3/34; B26B 23/00;  
B27L 7/06

See application file for complete search history.

(56) **References Cited**

**U.S. PATENT DOCUMENTS**

D319,164 S *	8/1991	Rosenthal	.....	D7/395
D324,473 S *	3/1992	Chen	.....	D8/80
D325,863 S *	5/1992	Chen	.....	D8/75
D381,887 S *	8/1997	Chen	.....	D8/300
D391,316 S *	2/1998	Morris	.....	D21/756
D399,720 S *	10/1998	Owens	.....	D8/98
D427,871 S *	7/2000	Price	.....	D8/107
D465,987 S *	11/2002	Lin	.....	D8/107
D468,614 S *	1/2003	Kanzawa	.....	D8/107
D468,615 S *	1/2003	Kanzawa	.....	D8/107
D494,039 S *	8/2004	Tsai	.....	D8/107
D499,137 S *	11/2004	Shibata	.....	D19/166

(Continued)

*Primary Examiner* — Philip S Hyder  
*Assistant Examiner* — Roselynn Cody

(74) *Attorney, Agent, or Firm* — Greenberg Traurig, LLP

(57) **CLAIM**

The ornamental design for a tool grip, as shown and described.

**DESCRIPTION**

FIG. 1 is a perspective view of a first embodiment of my design;

FIG. 2 is a front view thereof;

FIG. 3 is a rear view thereof;

FIG. 4 is a right view thereof;

FIG. 5 is a left view thereof;

FIG. 6 is a bottom view thereof;

FIG. 7 is a perspective view of a second embodiment of my design;

FIG. 8 is a front view thereof;

FIG. 9 is a rear view thereof;

FIG. 10 is a right view thereof;

FIG. 11 is a left view thereof;

FIG. 12 is a bottom view thereof;

FIG. 13 is a perspective view of a third embodiment of my design;

FIG. 14 is a front view thereof;

FIG. 15 is a rear view thereof;

FIG. 16 is a right view thereof;

FIG. 17 is a left view thereof;

FIG. 18 is a bottom view thereof;

FIG. 19 is a perspective view of a fourth embodiment of my design;

FIG. 20 is a front view thereof;

FIG. 21 is a rear view thereof;

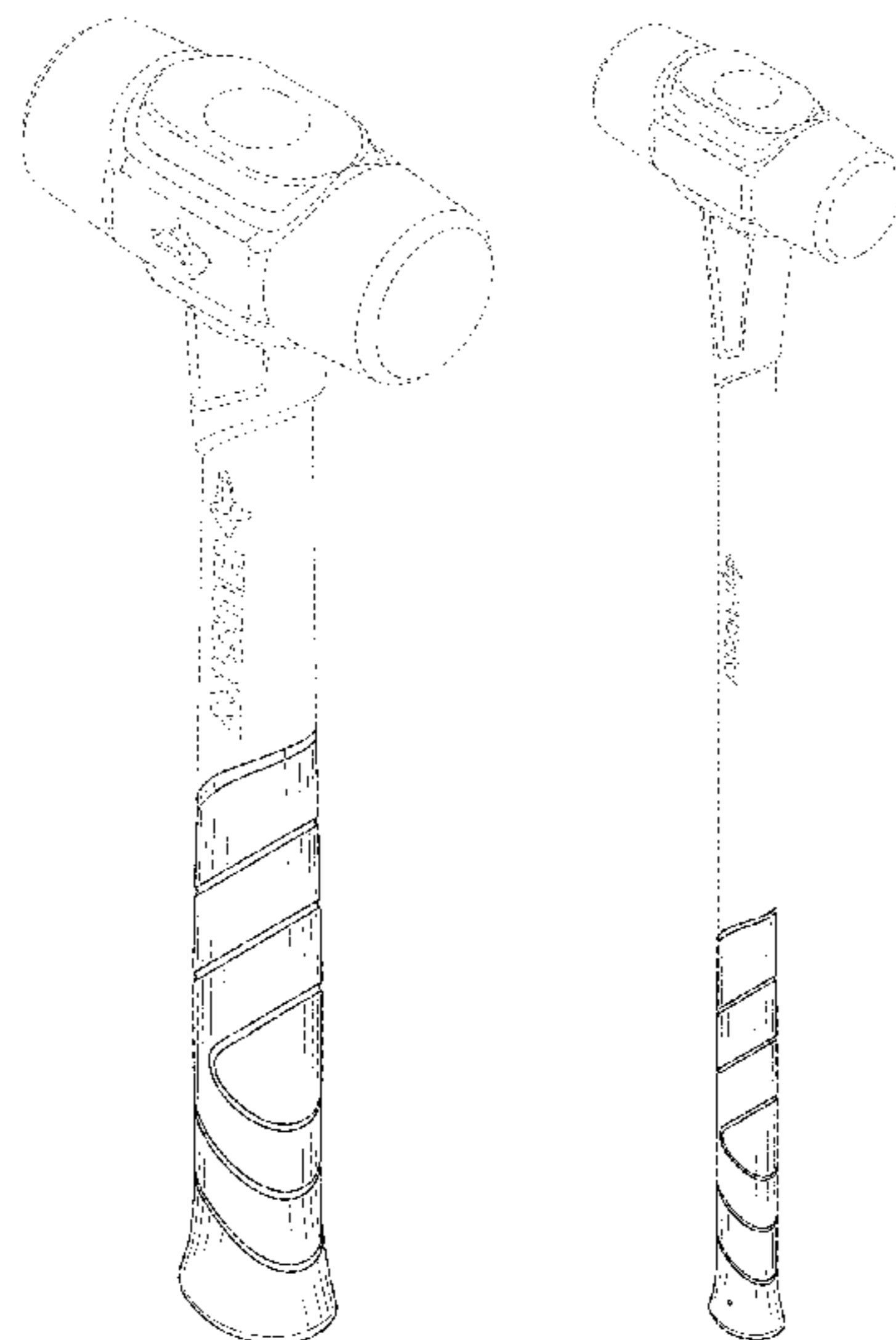
FIG. 22 is a right view thereof;

FIG. 23 is a left view thereof; and,

FIG. 24 is a bottom view thereof.

The dashed lines in the figures represent environmental structure that forms no part of the claimed design.

**1 Claim, 12 Drawing Sheets**



(56)

**References Cited**

## U.S. PATENT DOCUMENTS

D517,889	S	*	3/2006	Hsieh	.....	D8/107
D531,479	S	*	11/2006	Davis	.....	D8/80
D532,275	S	*	11/2006	Lin	.....	D8/107
D534,410	S	*	1/2007	Chen	.....	D8/107
D538,626	S	*	3/2007	Hsieh-Yeh	.....	D8/107
D556,008	S	*	11/2007	Kerr	.....	D23/223
D576,852	S	*	9/2008	Lin	.....	D8/25
D581,766	S	*	12/2008	Heneen	.....	D8/107
D612,223	S	*	3/2010	DePretto	.....	D8/303
D633,957	S	*	3/2011	Brown	.....	D21/567
D651,056	S	*	12/2011	Robinson	.....	D8/25
D651,063	S	*	12/2011	Robinson	.....	D8/80
D651,879	S	*	1/2012	Robinson	.....	D8/25
D651,880	S	*	1/2012	Robinson	.....	D8/25
D655,594	S	*	3/2012	Robinson	.....	D8/107
D656,378	S	*	3/2012	Islas	.....	D8/80
D656,809	S	*	4/2012	Mullen	.....	D8/107
D657,652	S	*	4/2012	Lin	.....	D8/303
D660,123	S	*	5/2012	Islas	.....	D8/80
D661,569	S	*	6/2012	Chen	.....	D8/107
D674,264	S	*	1/2013	Robinson	.....	D8/83
D758,818	S	*	6/2016	Nelson	.....	D8/80
D760,055	S	*	6/2016	Nelson	.....	D8/80
D769,688	S	*	10/2016	Nelson	.....	D8/80

\* cited by examiner

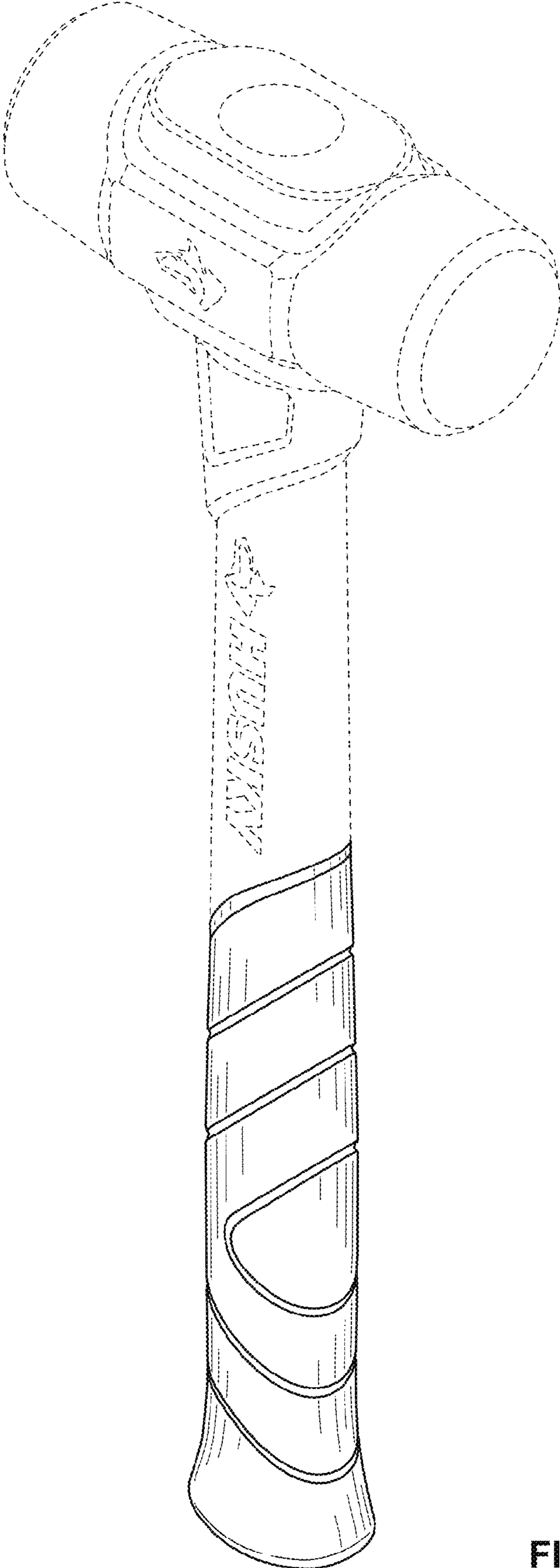


FIG. 1

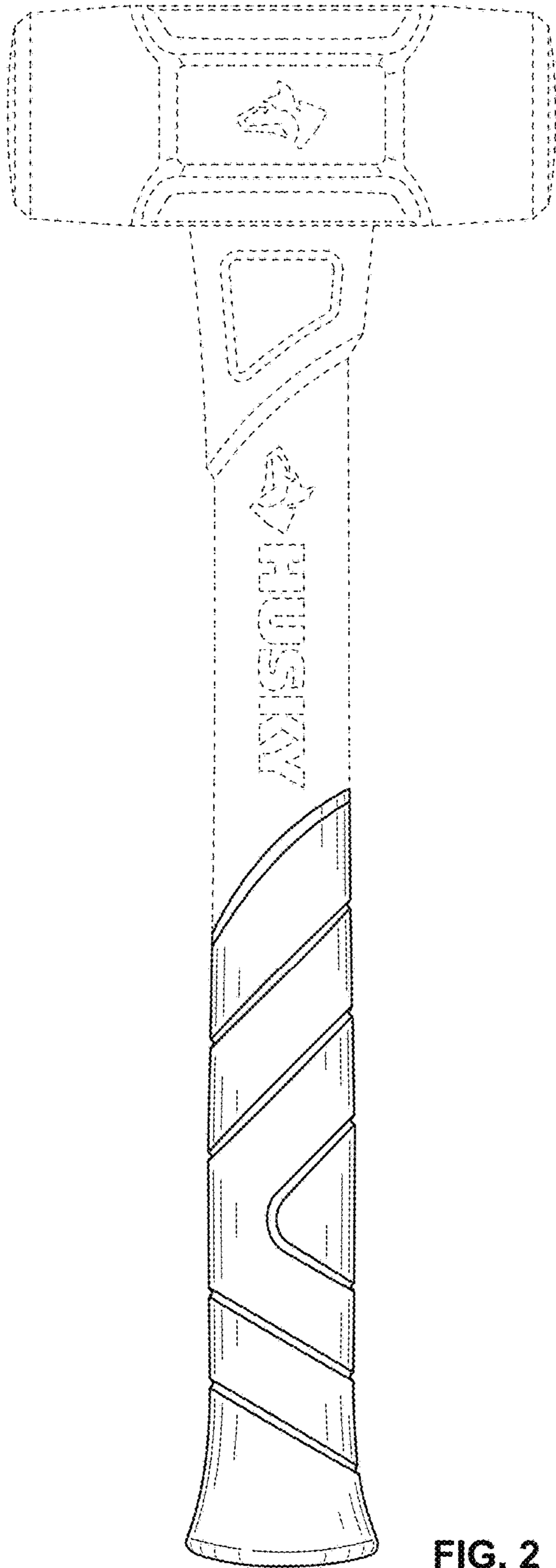


FIG. 2

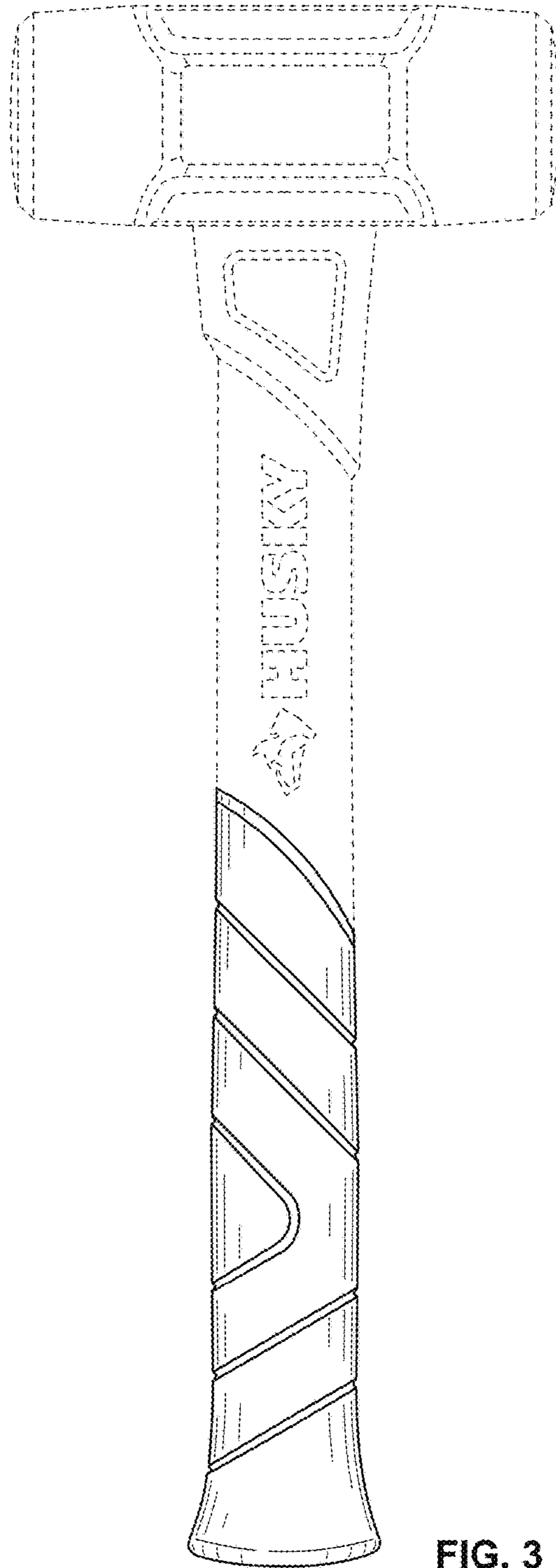


FIG. 3

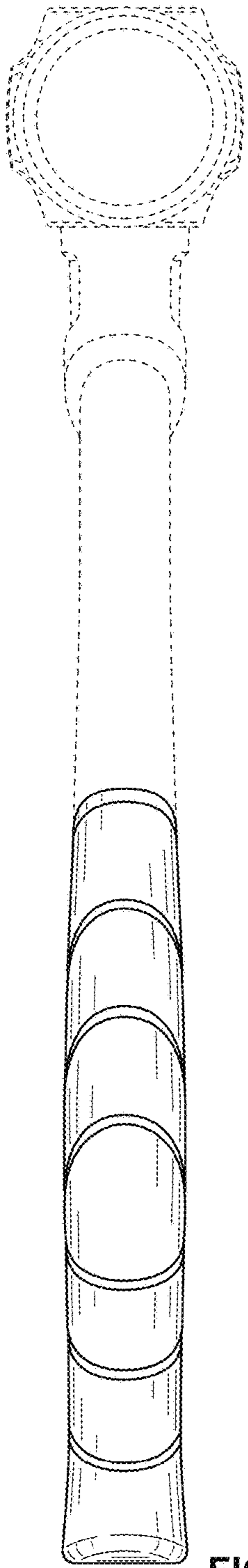


FIG. 4

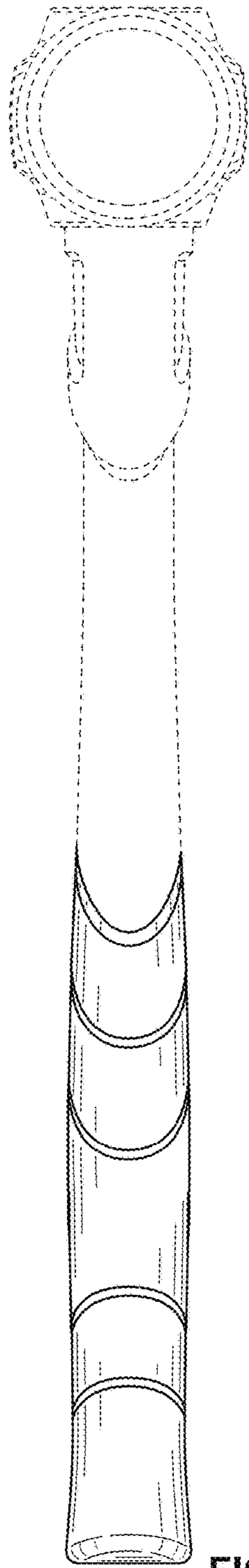


FIG. 5

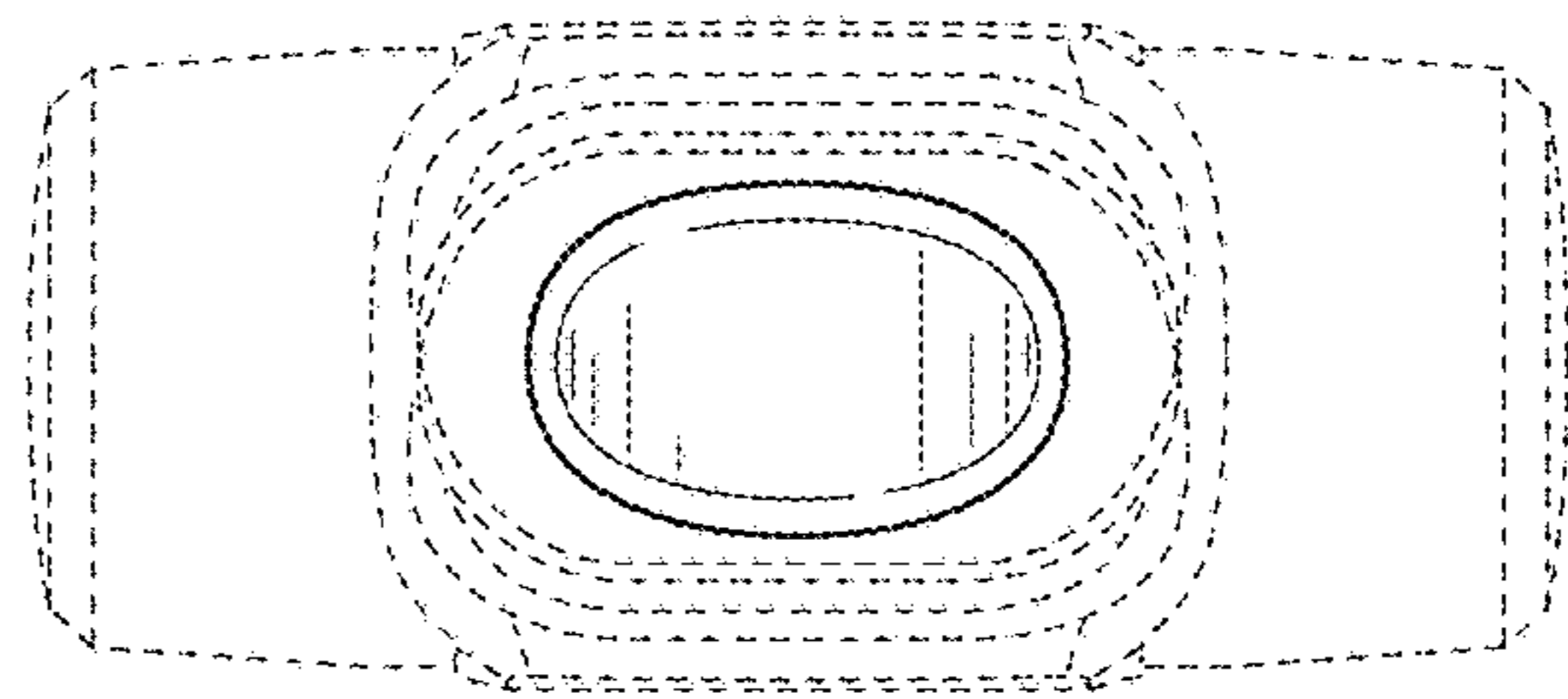


FIG. 6

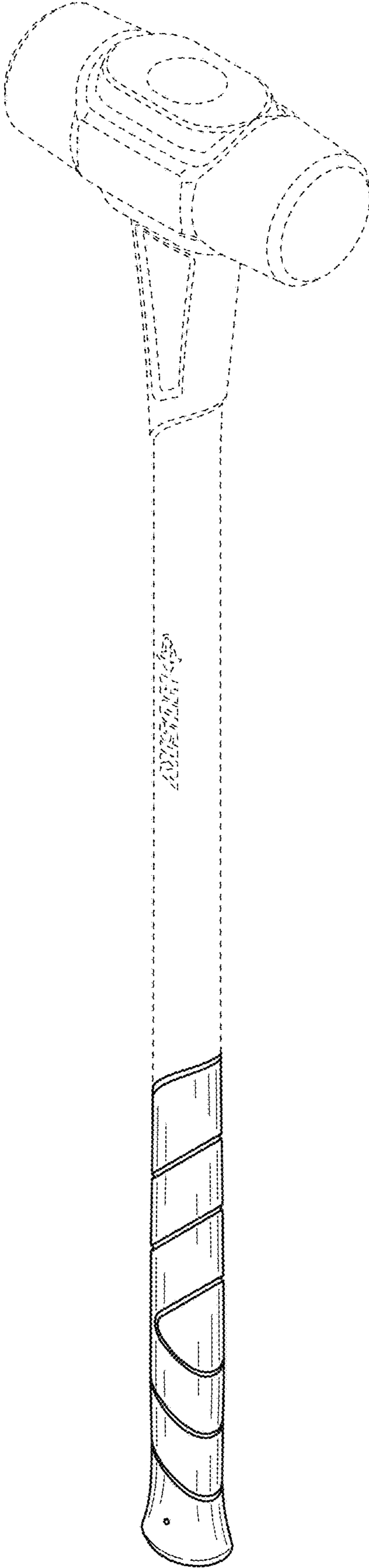


FIG. 7

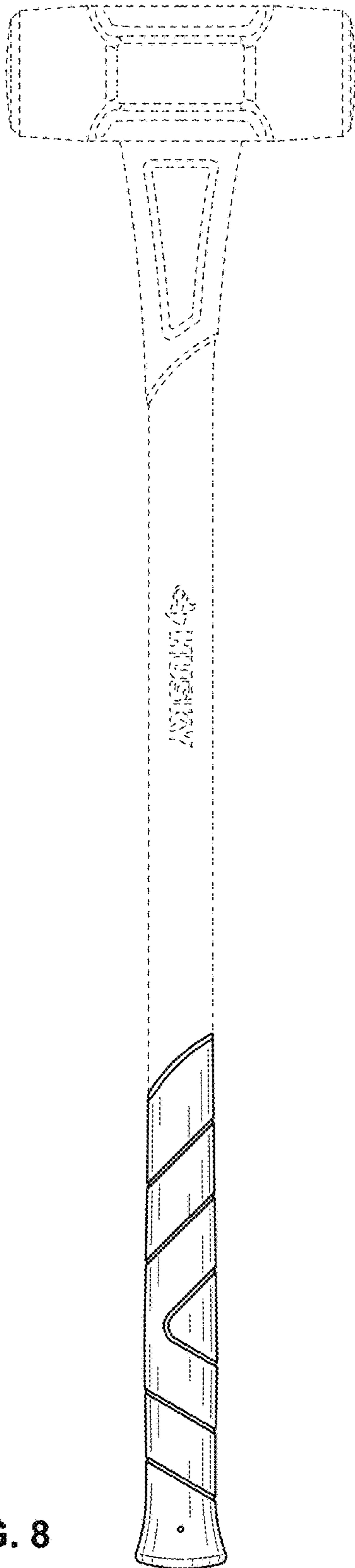


FIG. 8

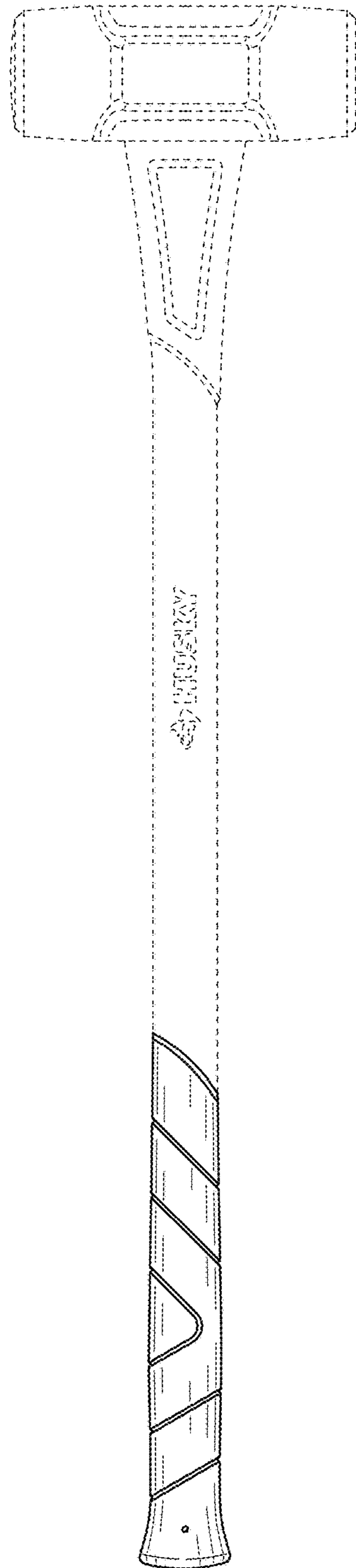


FIG. 9

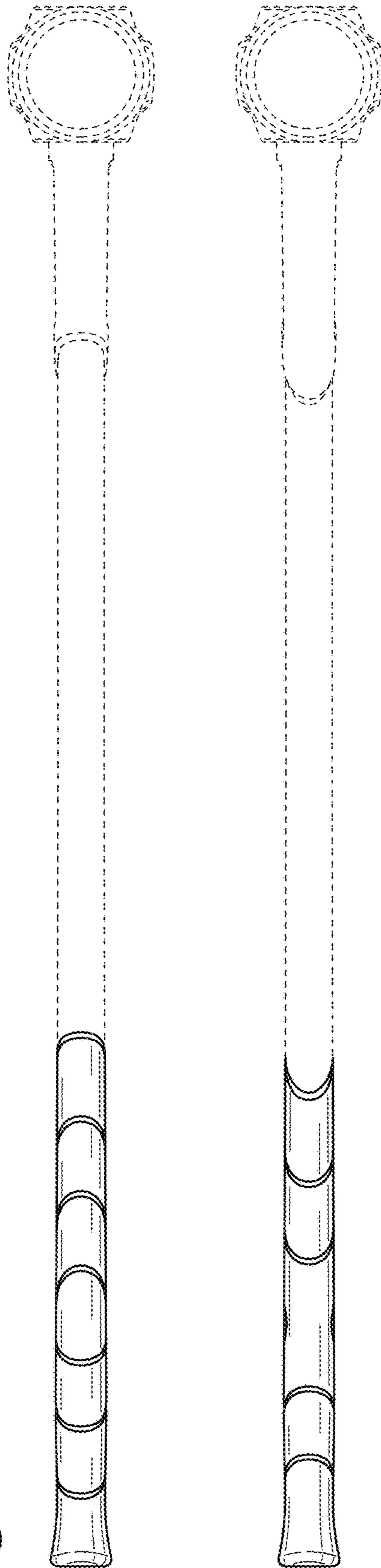


FIG. 10

FIG. 11

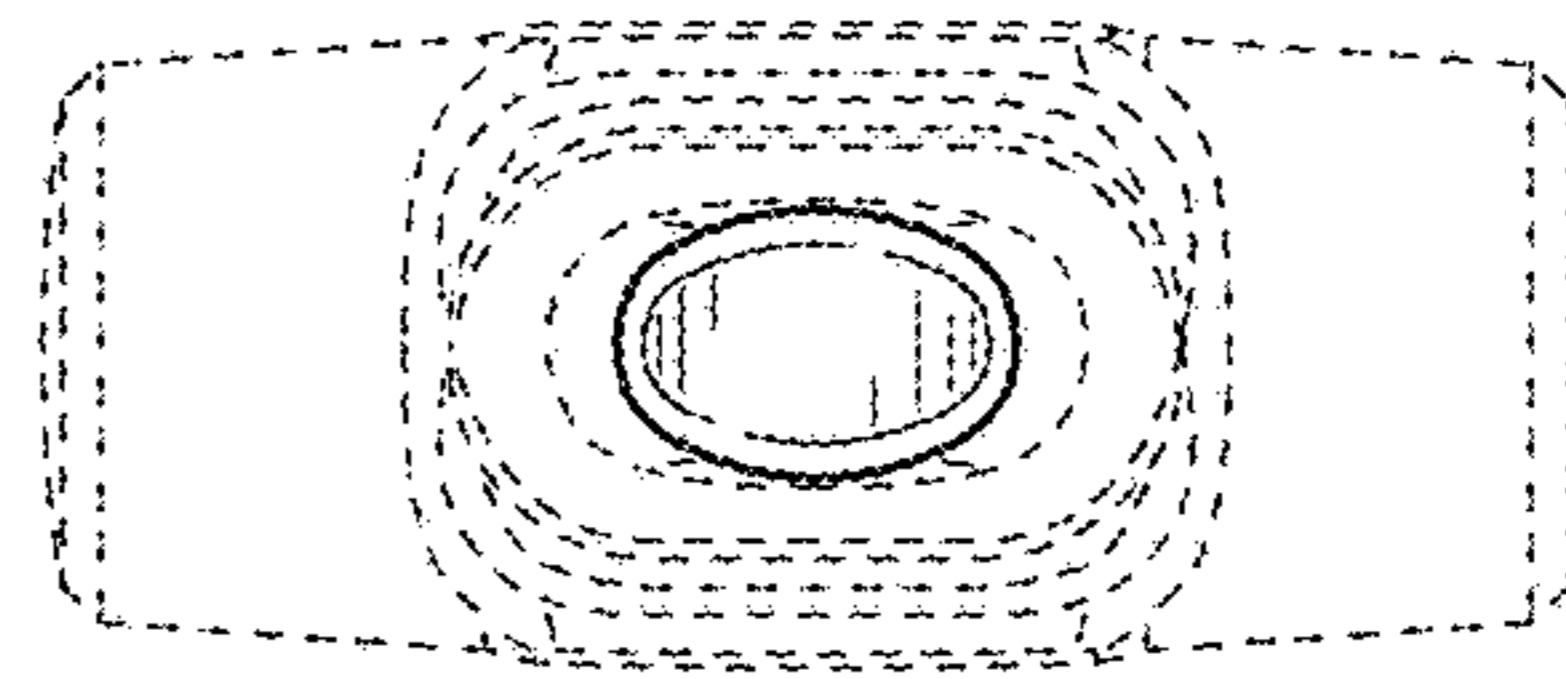


FIG. 12



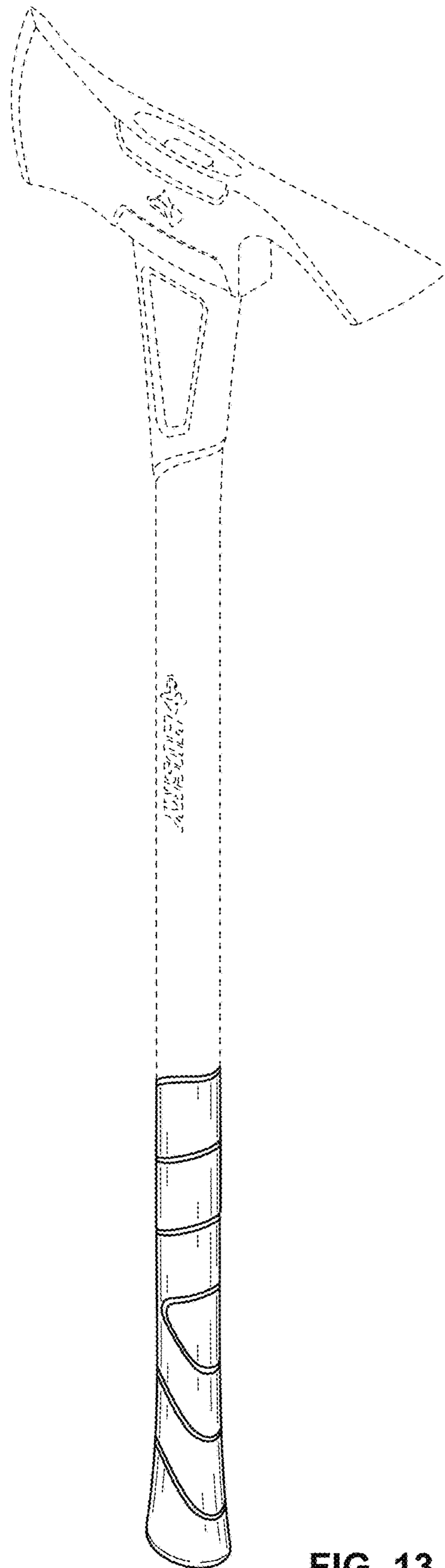


FIG. 13

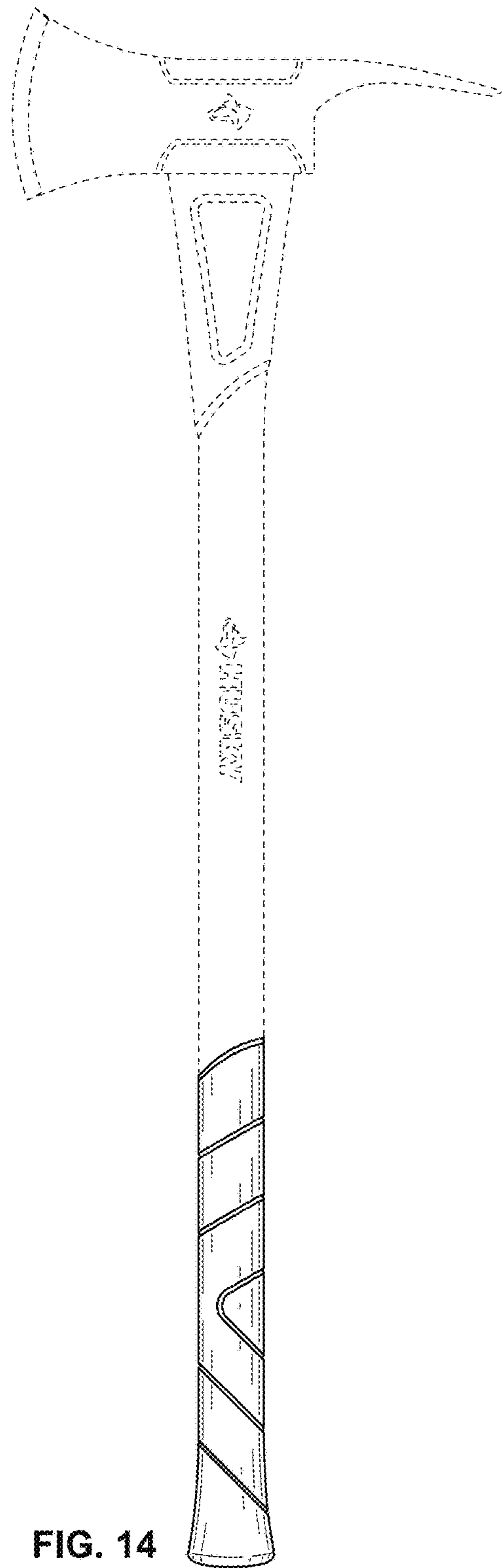


FIG. 14

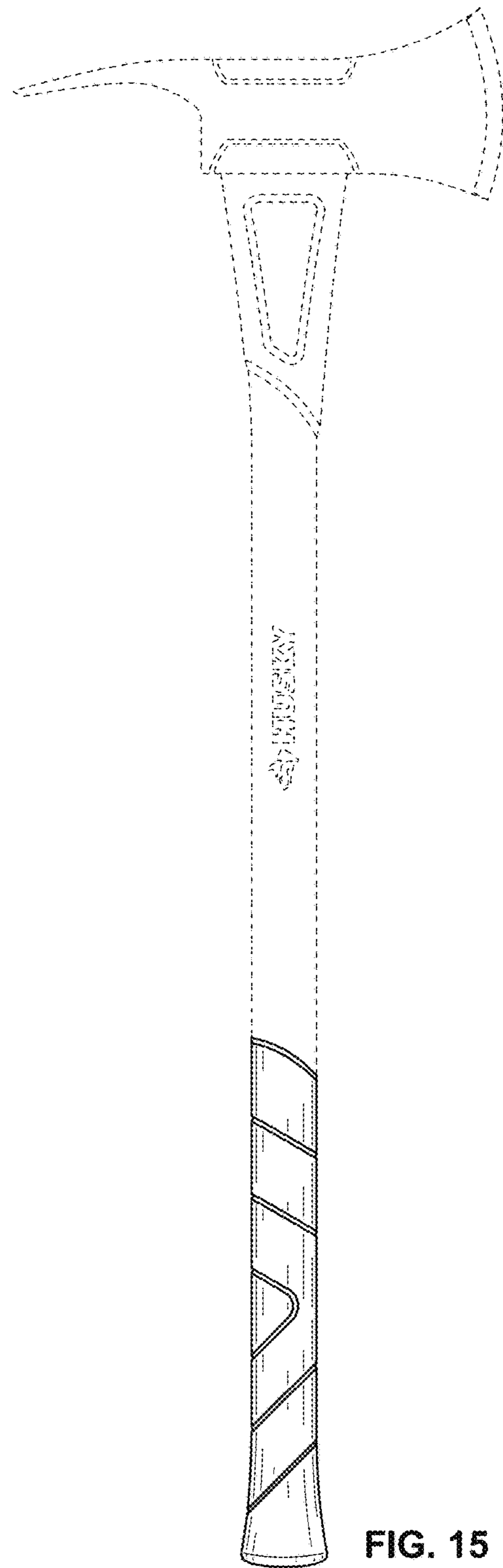


FIG. 15

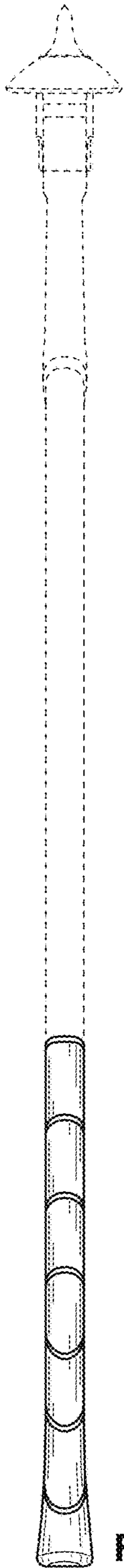


FIG. 16

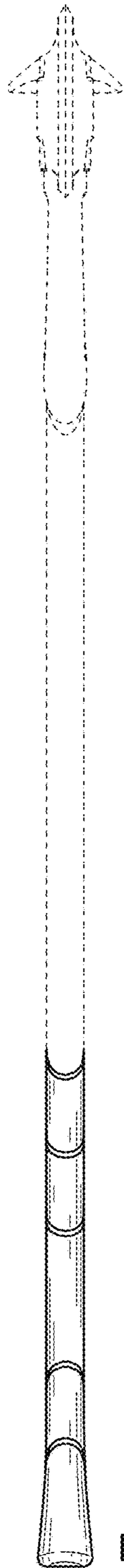


FIG. 17

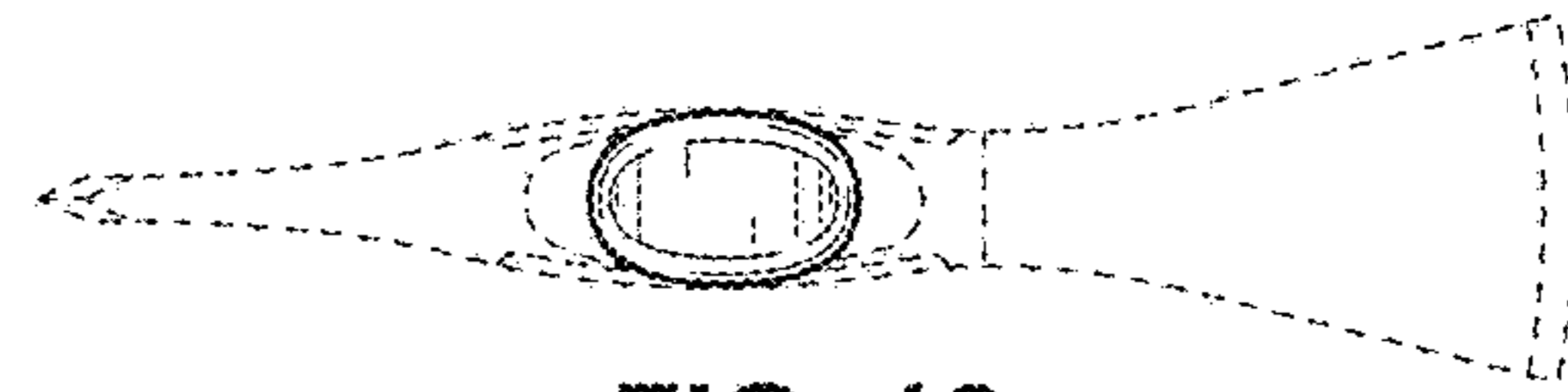


FIG. 18

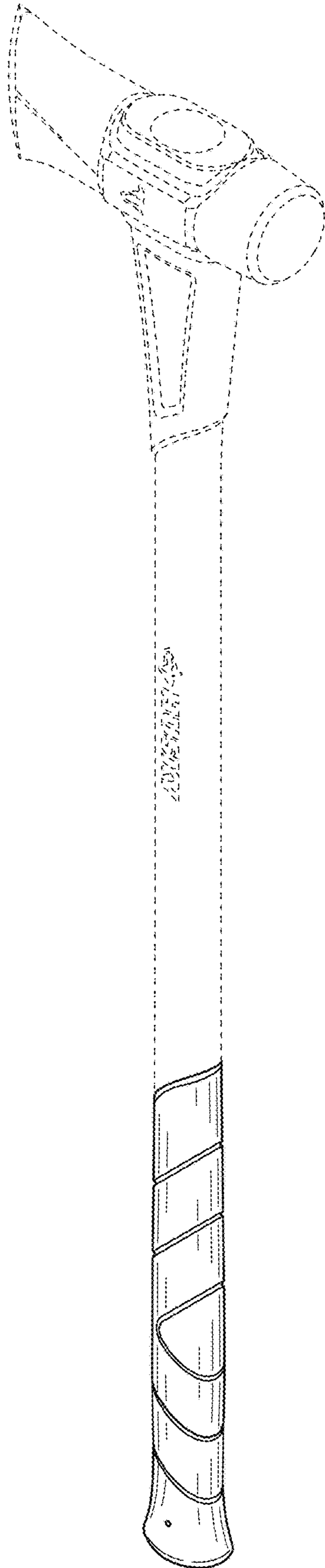


FIG. 19

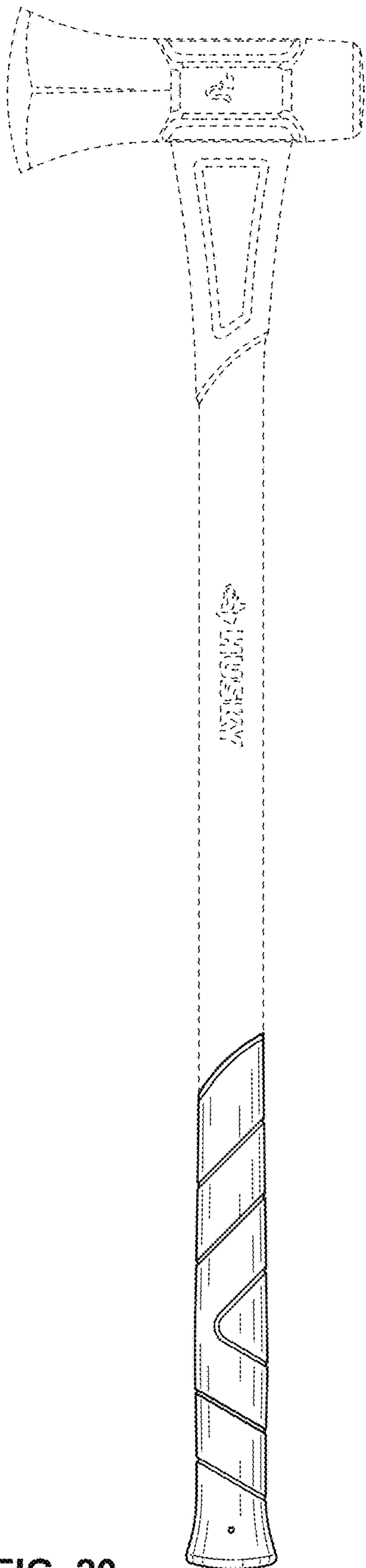


FIG. 20

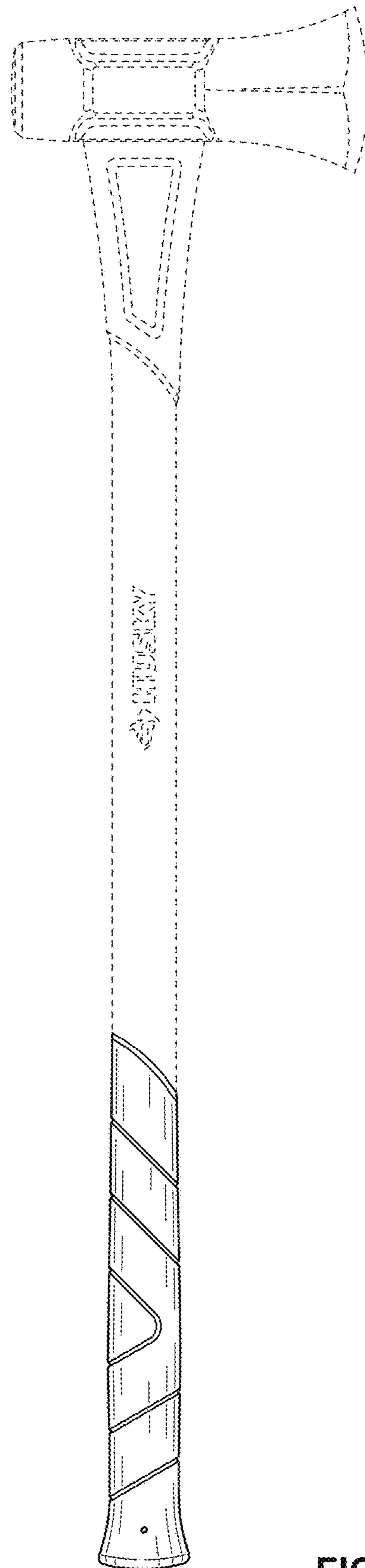


FIG. 21

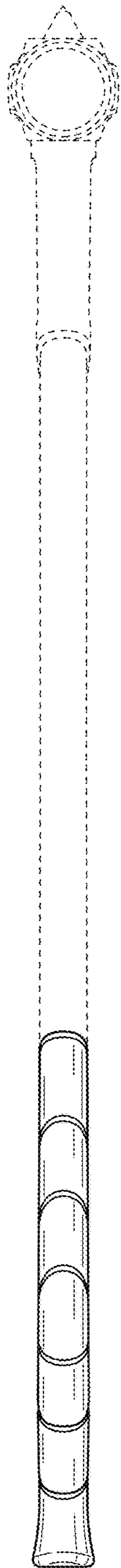


FIG. 22

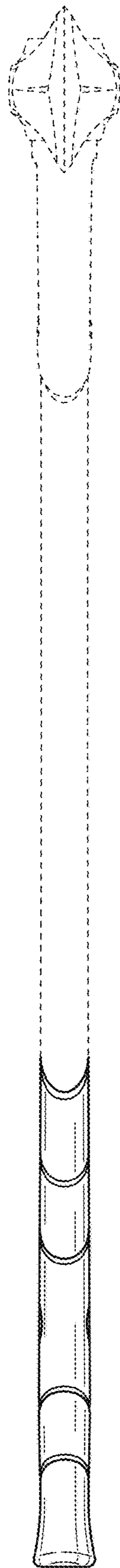


FIG. 23

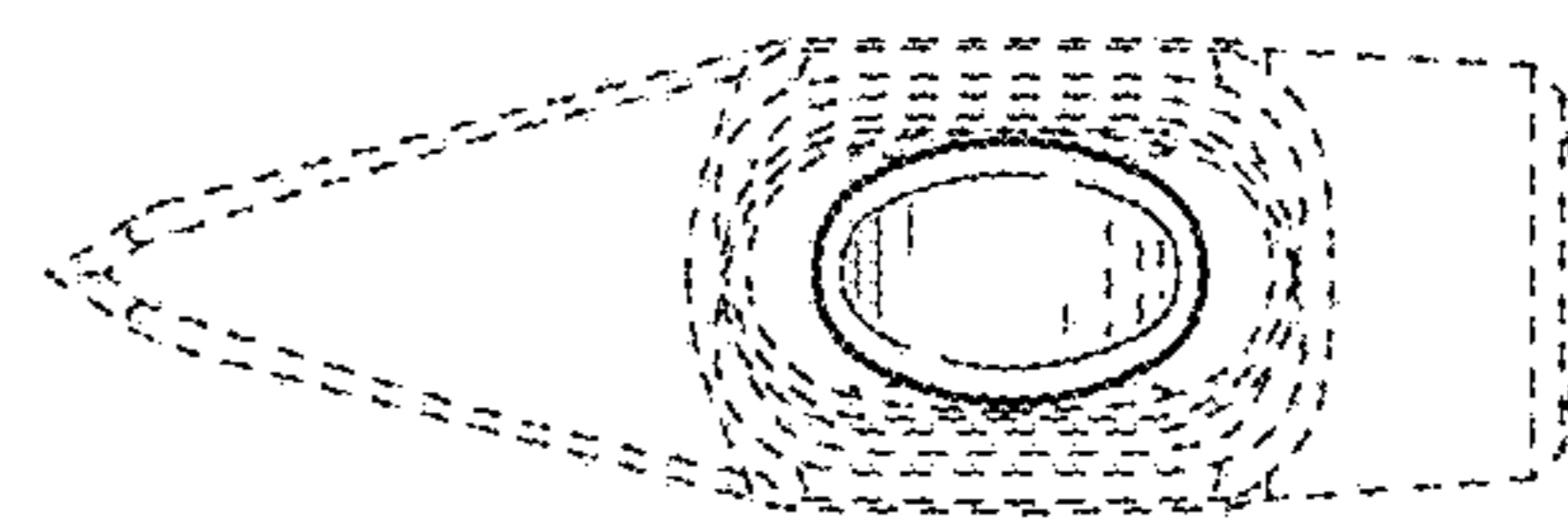


FIG. 24