



US00D809363S

(12) **United States Design Patent**
Stokes et al.

(10) **Patent No.:** **US D809,363 S**

(45) **Date of Patent:** **** Feb. 6, 2018**

- (54) **CUTTING TOOL**
- (71) Applicant: **Fiskars Brands, Inc.**, Madison, WI (US)
- (72) Inventors: **Steven Stokes**, Fitchburg, WI (US);
Colin Roberts, Madison, WI (US)
- (73) Assignee: **Fiskars Brands, Inc.**, Middleton, WI (US)
- (**) Term: **15 Years**
- (21) Appl. No.: **29/559,932**
- (22) Filed: **Apr. 1, 2016**
- (51) **LOC (11) Cl.** **08-03**
- (52) **U.S. Cl.**
USPC **D8/60**
- (58) **Field of Classification Search**
USPC D8/4, 5, 51-60, 105, 107
CPC B26D 3/169; B26B 13/26; B26B 13/16;
B26B 17/00; B26B 17/02
See application file for complete search history.

7,204,021	B2 *	4/2007	Houseman	B25D 1/02	30/235
D612,221	S *	3/2010	Groten	D8/60	
D612,697	S *	3/2010	Huang	D8/60	
D612,698	S *	3/2010	Huang	D8/60	
D614,929	S *	5/2010	Kobayashi	D8/60	
8,024,864	B2 *	9/2011	Mortensen	B26B 17/02	30/188
D786,036	S *	5/2017	Roberts	D8/52	
2012/0102752	A1 *	5/2012	Steele	B26D 3/001	30/92

* cited by examiner

Primary Examiner — Deanna L Pratt

(74) *Attorney, Agent, or Firm* — Foley & Lardner LLP

(57) **CLAIM**

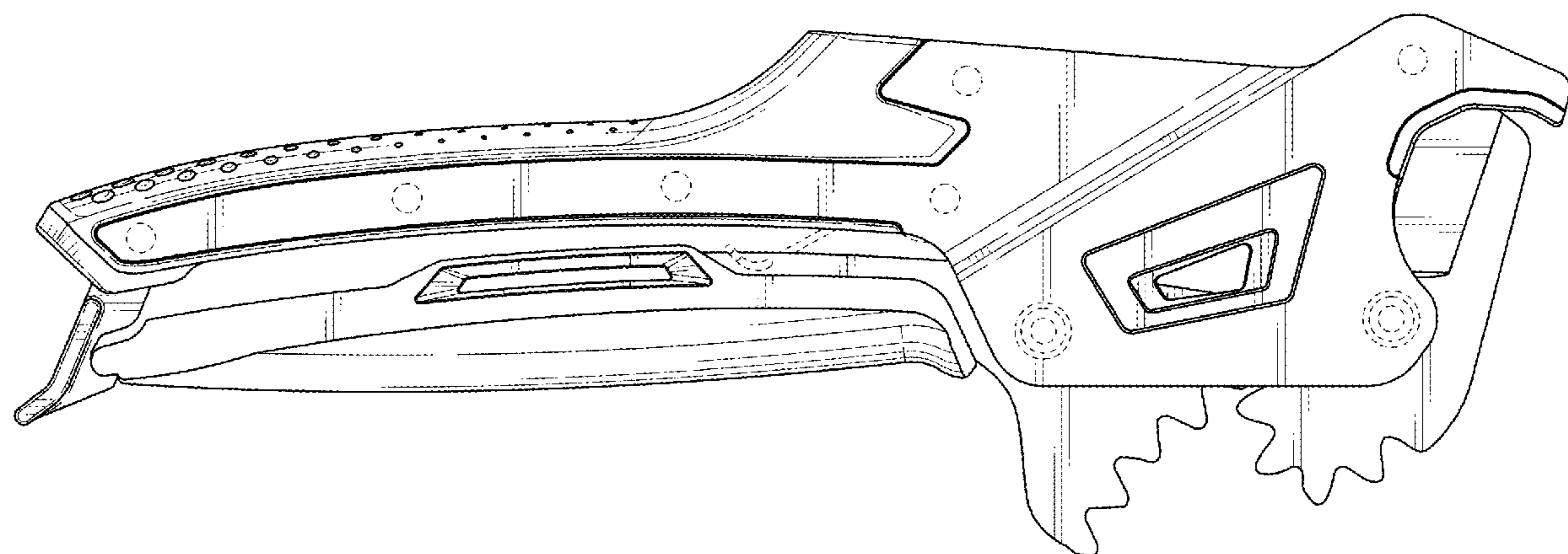
We claim the ornamental design for a cutting tool, as shown and described.

DESCRIPTION

FIG. 1 is a front-right perspective view of the claimed design;
 FIG. 2 is a left side view of the claimed design of FIG. 1;
 FIG. 3 is a right side view of the claimed design of FIG. 1;
 FIG. 4 is a rear view of the claimed design of FIG. 1;
 FIG. 5 is a front view of the claimed design of FIG. 1;
 FIG. 6 is a bottom view of the claimed design of FIG. 1;
 FIG. 7 is a top view of the claimed design of FIG. 1; and,
 FIG. 8 is a bottom-left perspective view from above of the claimed design of FIG. 1.

Any portion of the article depicted in broken lines forms no part of the claimed design.

1 Claim, 6 Drawing Sheets



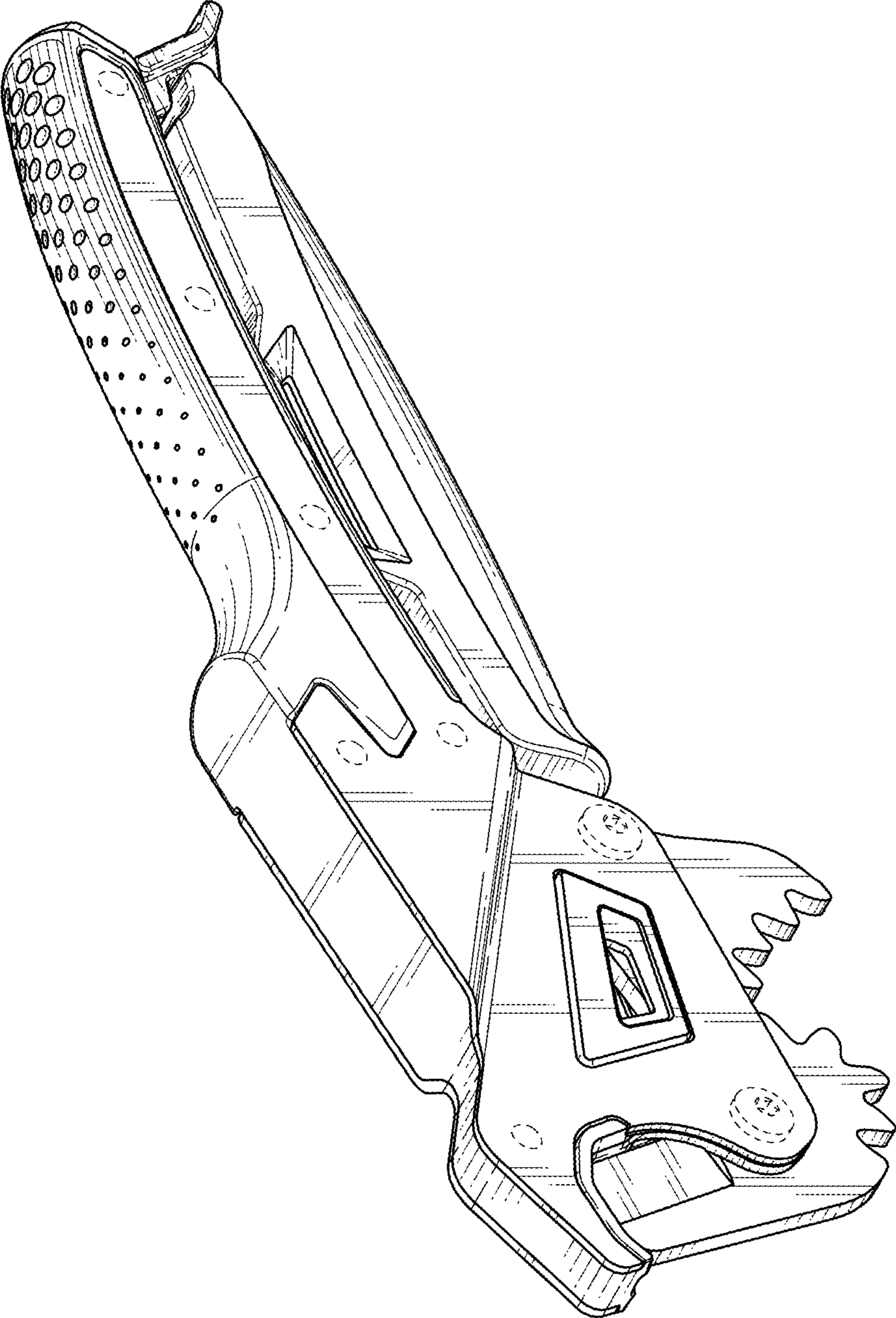


FIG. 1

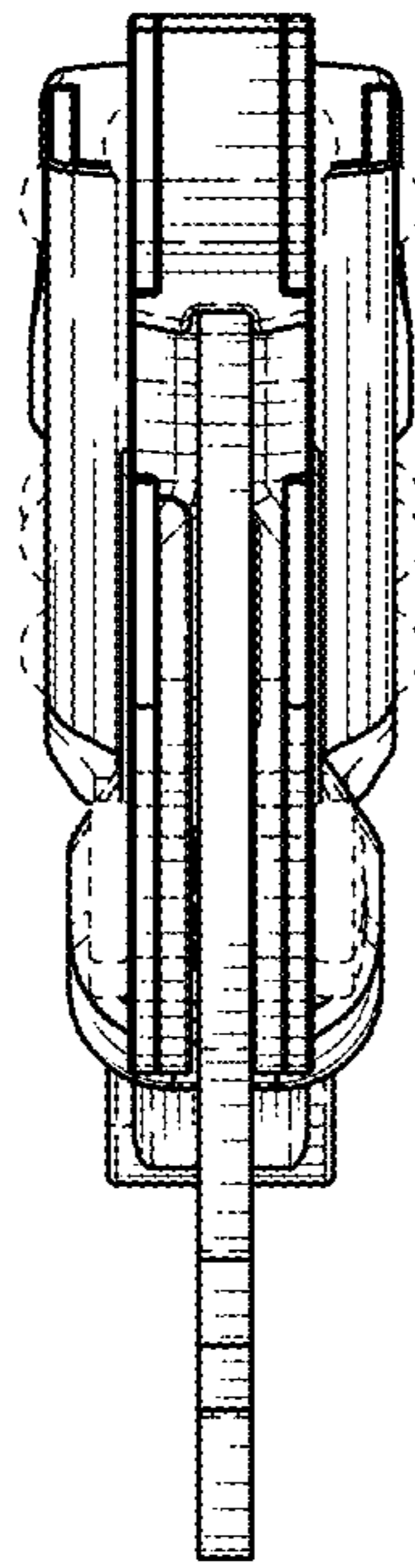


FIG. 2

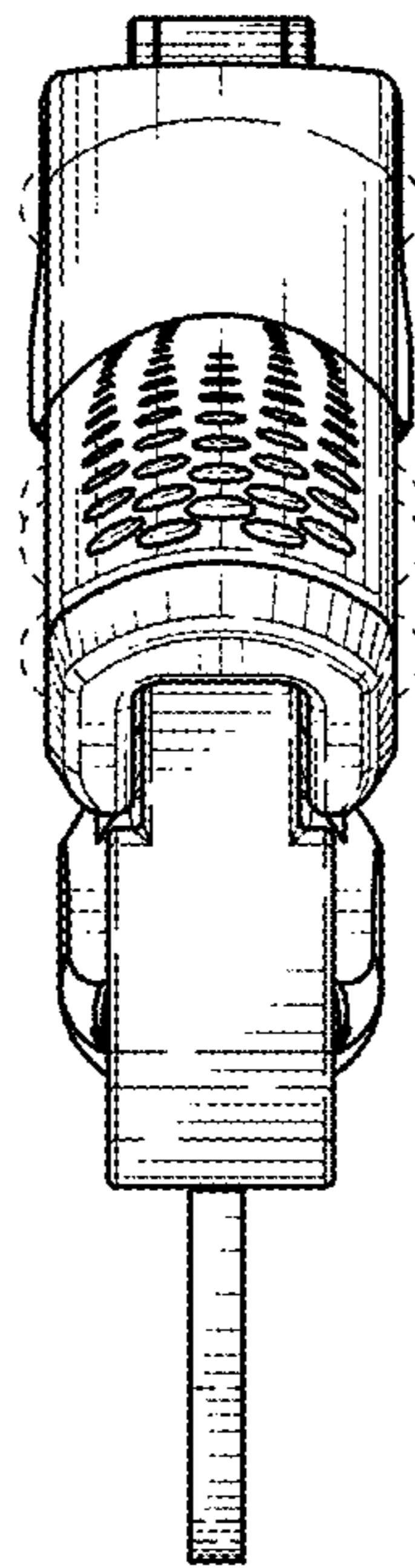


FIG. 3

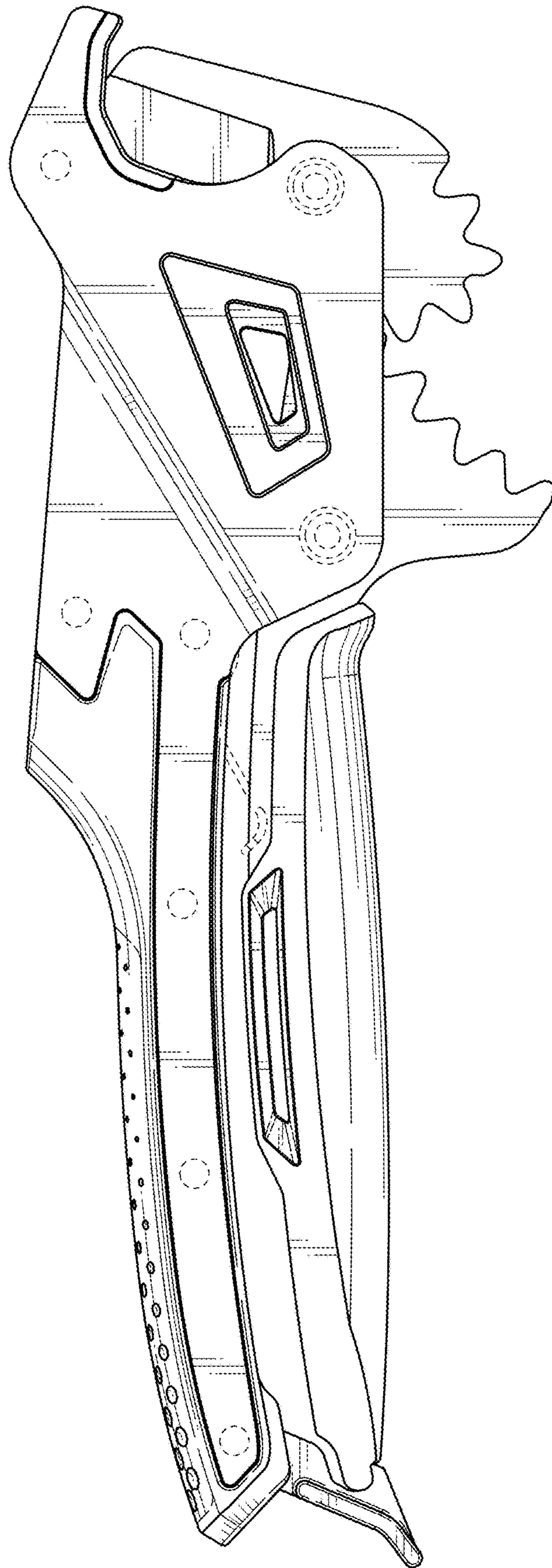


FIG. 4

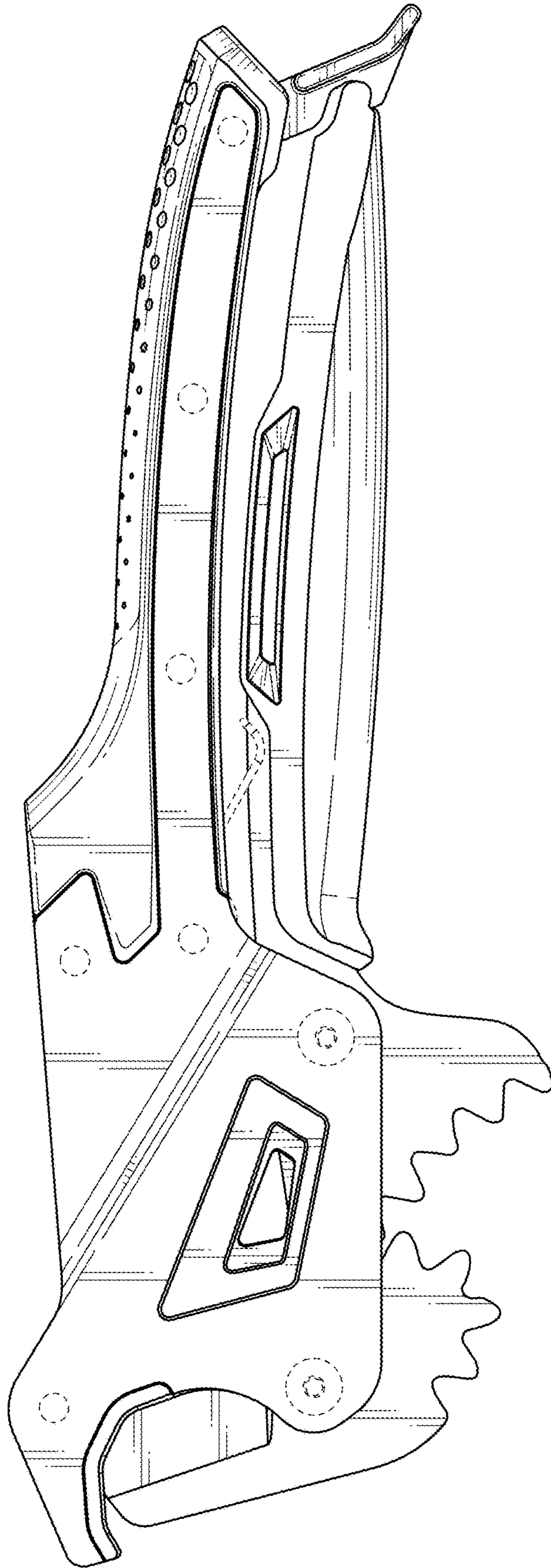


FIG. 5

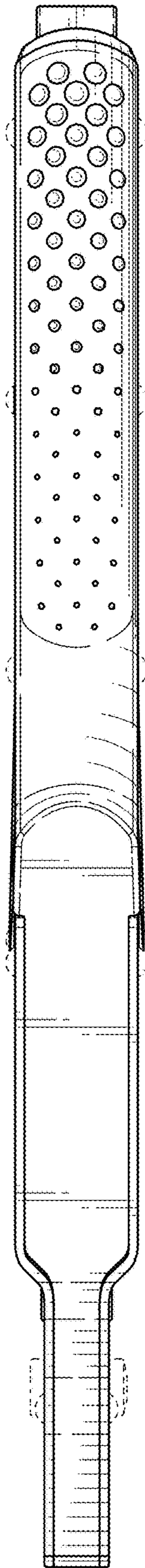


FIG. 6

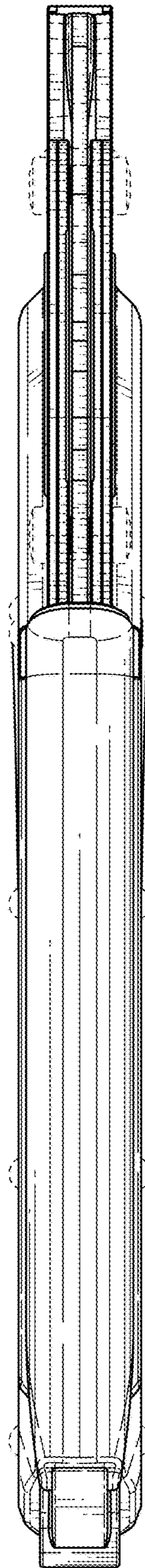


FIG. 7

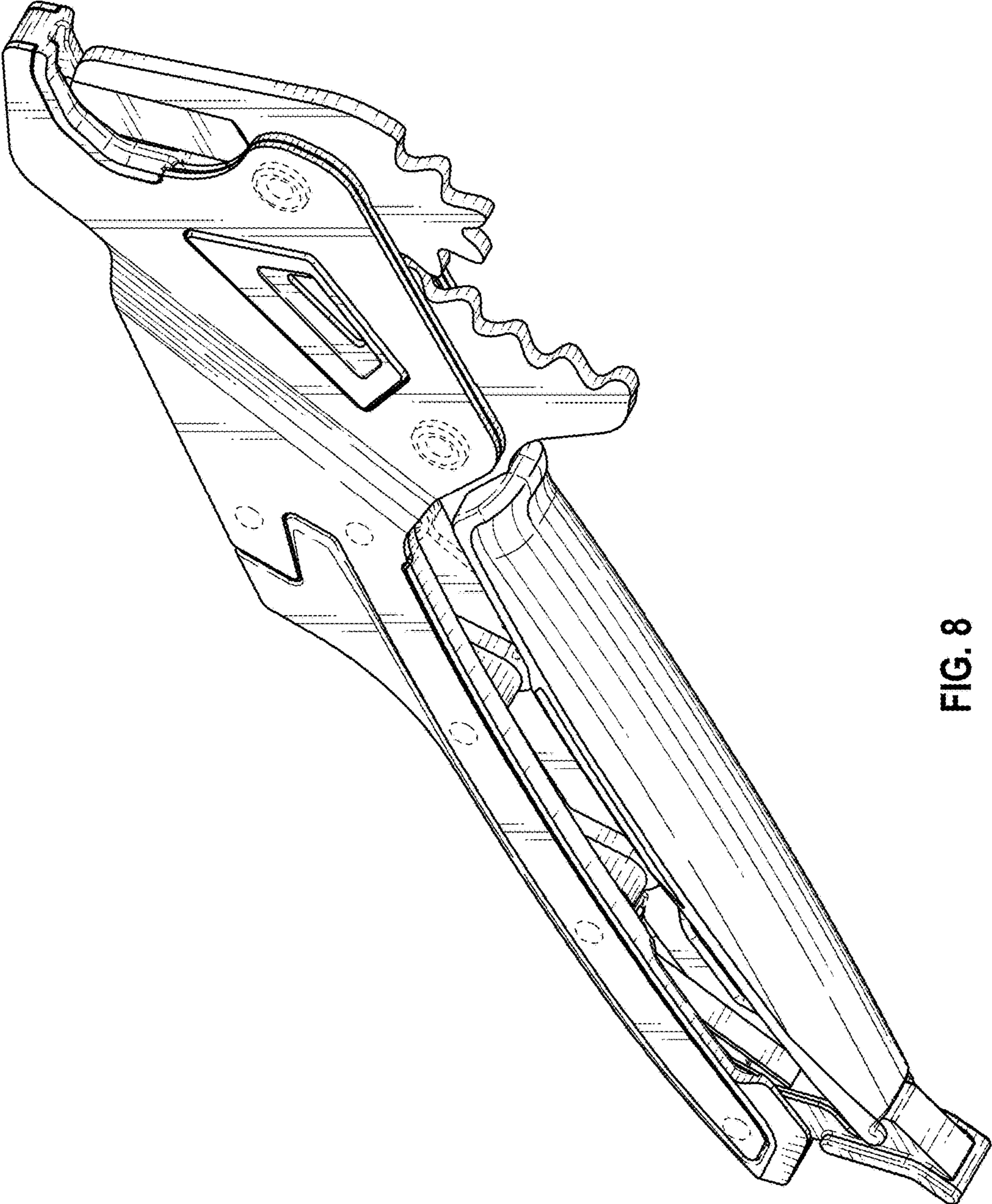


FIG. 8