



US00D809361S

(12) **United States Design Patent**
Lee

(10) **Patent No.:** **US D809,361 S**
(45) **Date of Patent:** **** Feb. 6, 2018**

(54) **SCISSORS GRIPS**

D651,491 S * 1/2012 Hanakawa D8/57
D754,504 S * 4/2016 Davis D7/693
D791,563 S * 7/2017 Farnworth D8/57

(71) Applicant: **Yi-Lin Lee**, Changhua County (TW)

* cited by examiner

(72) Inventor: **Yi-Lin Lee**, Changhua County (TW)

Primary Examiner — Deanna L Pratt

(**) Term: **15 Years**

(74) *Attorney, Agent, or Firm* — WPAT, PC

(21) Appl. No.: **29/581,030**

(57) **CLAIM**

(22) Filed: **Oct. 14, 2016**

The ornamental design for a scissors grips, as shown and described.

(51) **LOC (11) Cl.** **08-03**

DESCRIPTION

(52) **U.S. Cl.**

USPC **D8/57**

(58) **Field of Classification Search**

USPC D8/51–58, 38, 100, 103, 107, 5, 324,
D8/335, 348, 351, 365

CPC B26B 13/10; B26B 13/20; B26B 13/12;
B26B 13/06; B26B 13/04

See application file for complete search history.

FIG. 1 is a perspective view of a scissors grips showing my new design;

FIG. 2 is another perspective view thereof;

FIG. 3 is a front view thereof;

FIG. 4 is a rear view thereof;

FIG. 5 is a left view thereof;

FIG. 6 is a right view thereof;

FIG. 7 is a top view thereof; and,

FIG. 8 is a bottom view thereof.

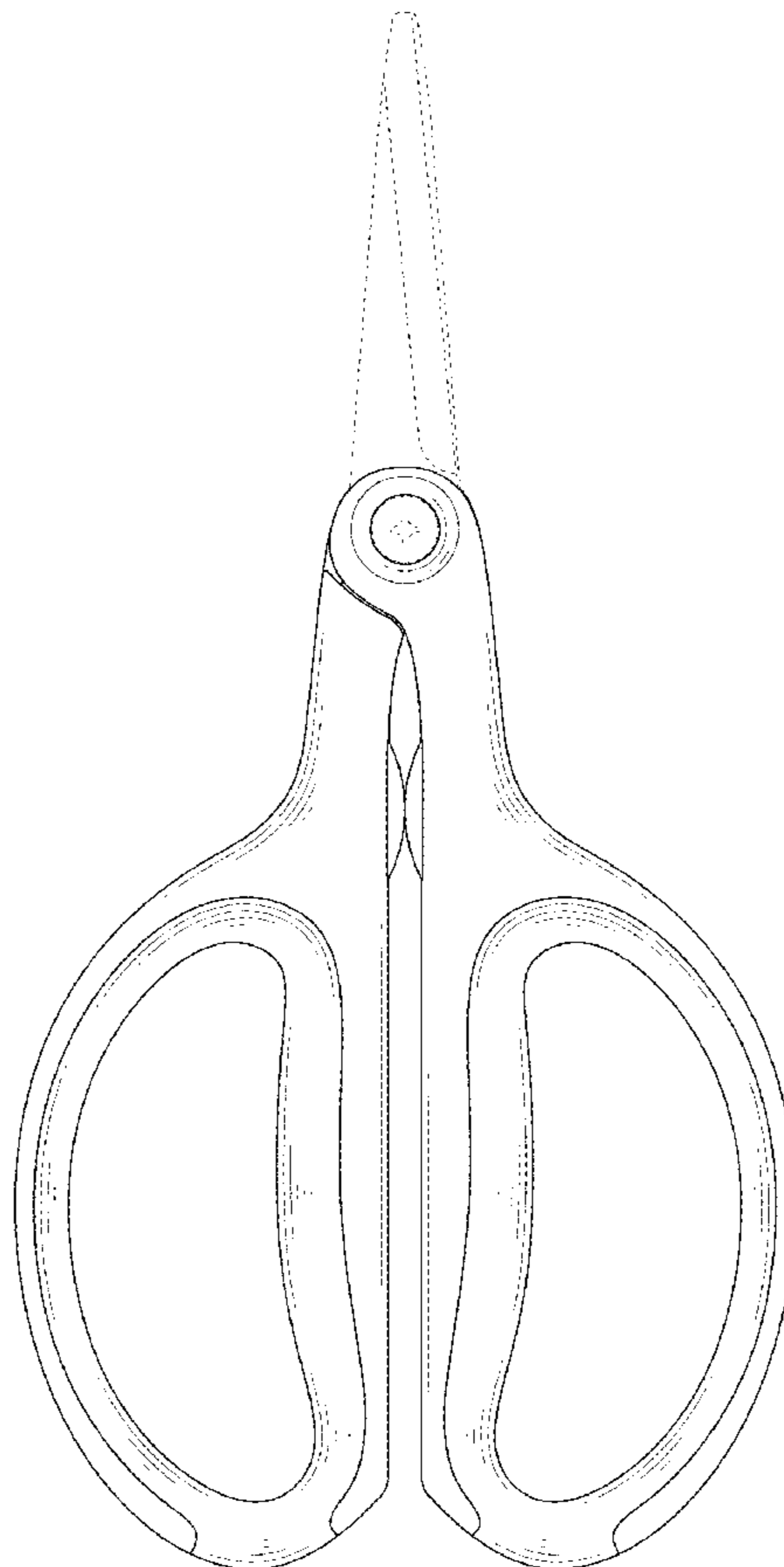
The broken line showing of the scissors blades in the figures illustrates the environment of the claimed design and forms no part thereof. The remaining broken lines illustrate portions of the scissors grips that form no part of the claimed design.

(56) **References Cited**

U.S. PATENT DOCUMENTS

D256,215 S * 8/1980 Chen D8/57
D277,450 S * 2/1985 Hayashi 30/230
7,458,160 B2 * 12/2008 Escobar B25G 1/102
30/232

1 Claim, 8 Drawing Sheets



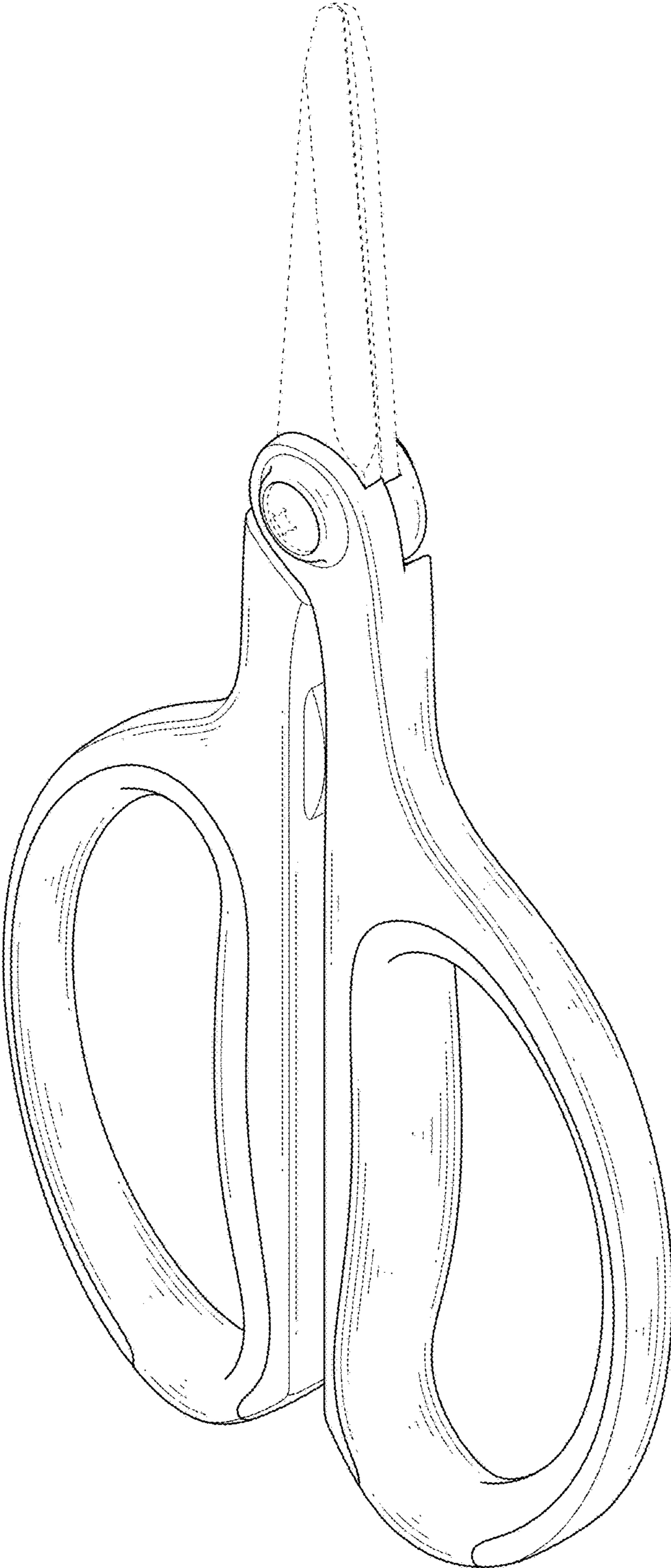


FIG. 1

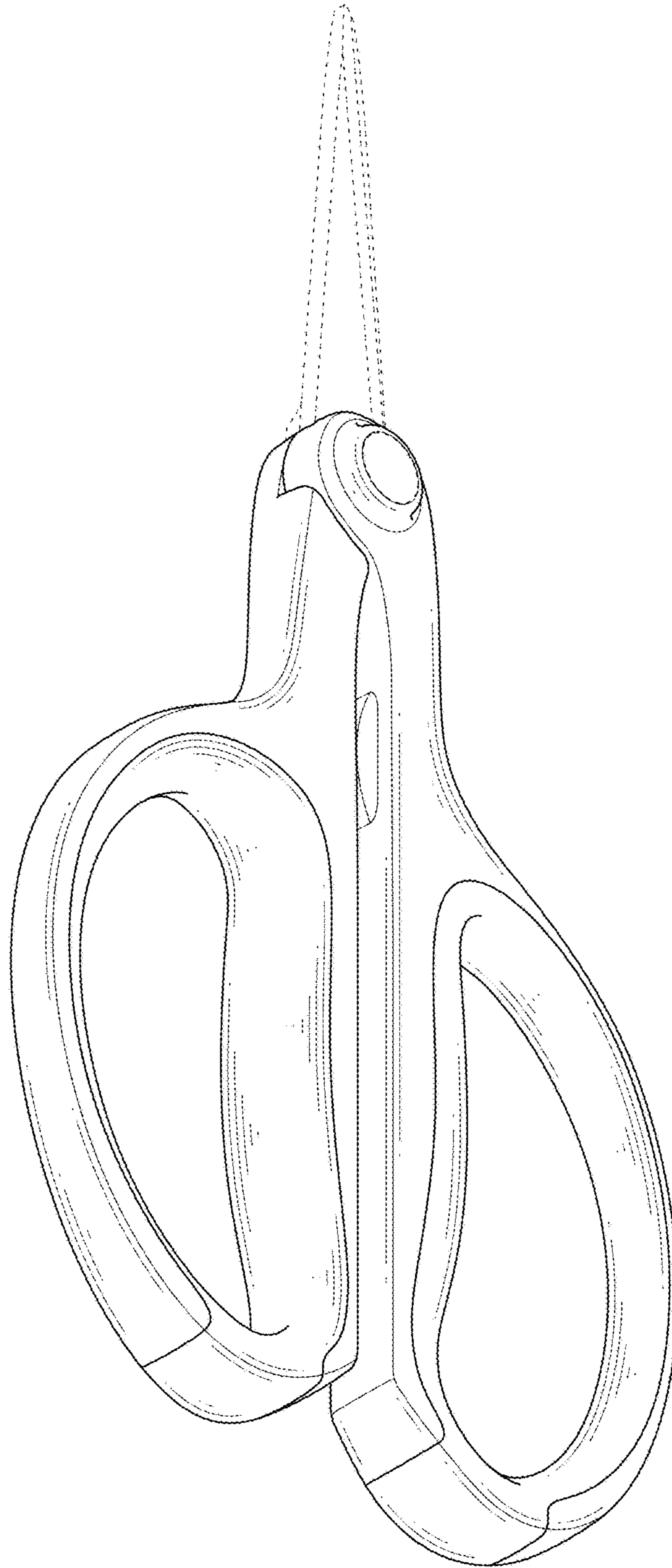


FIG.2

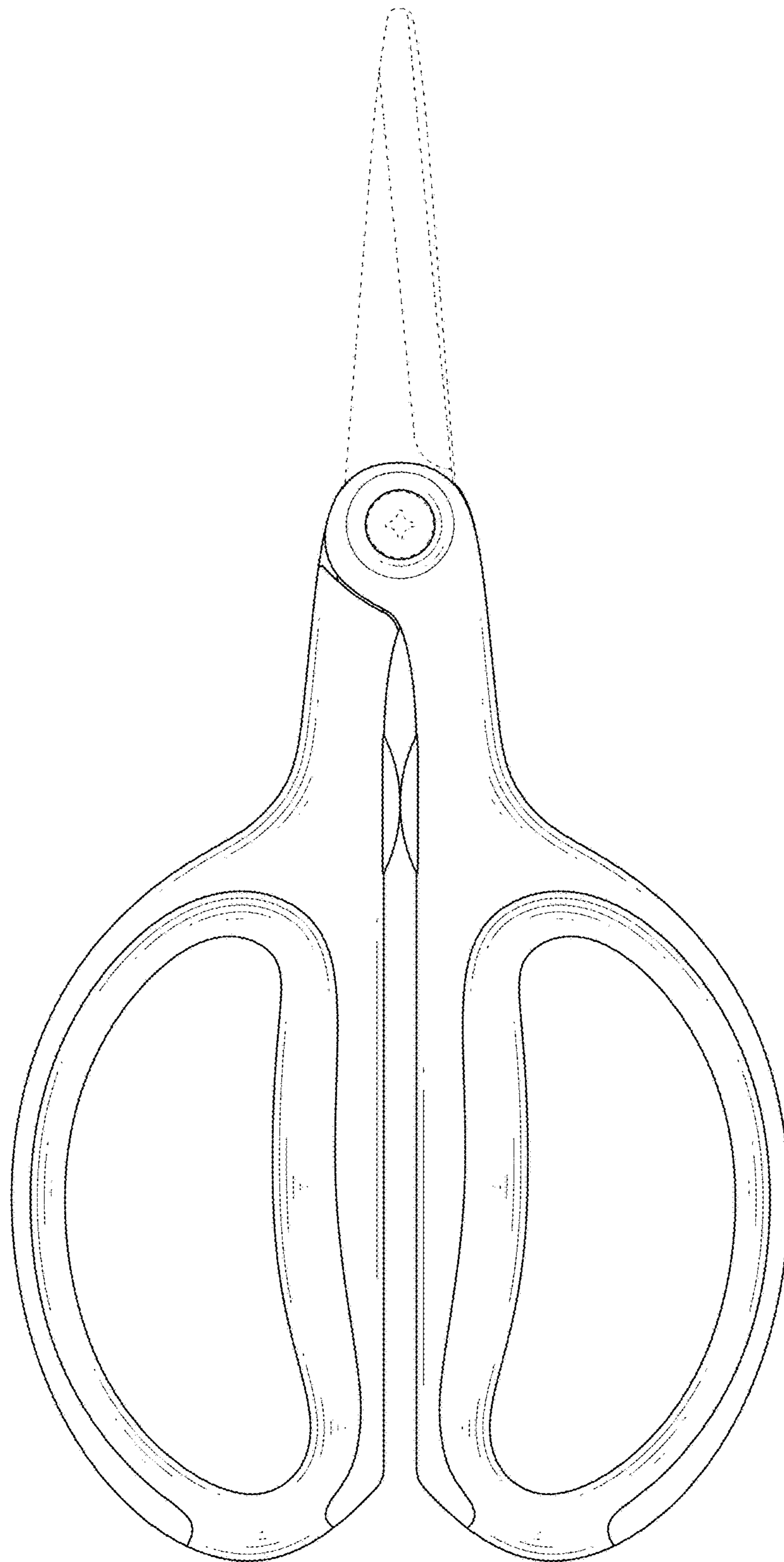


FIG.3

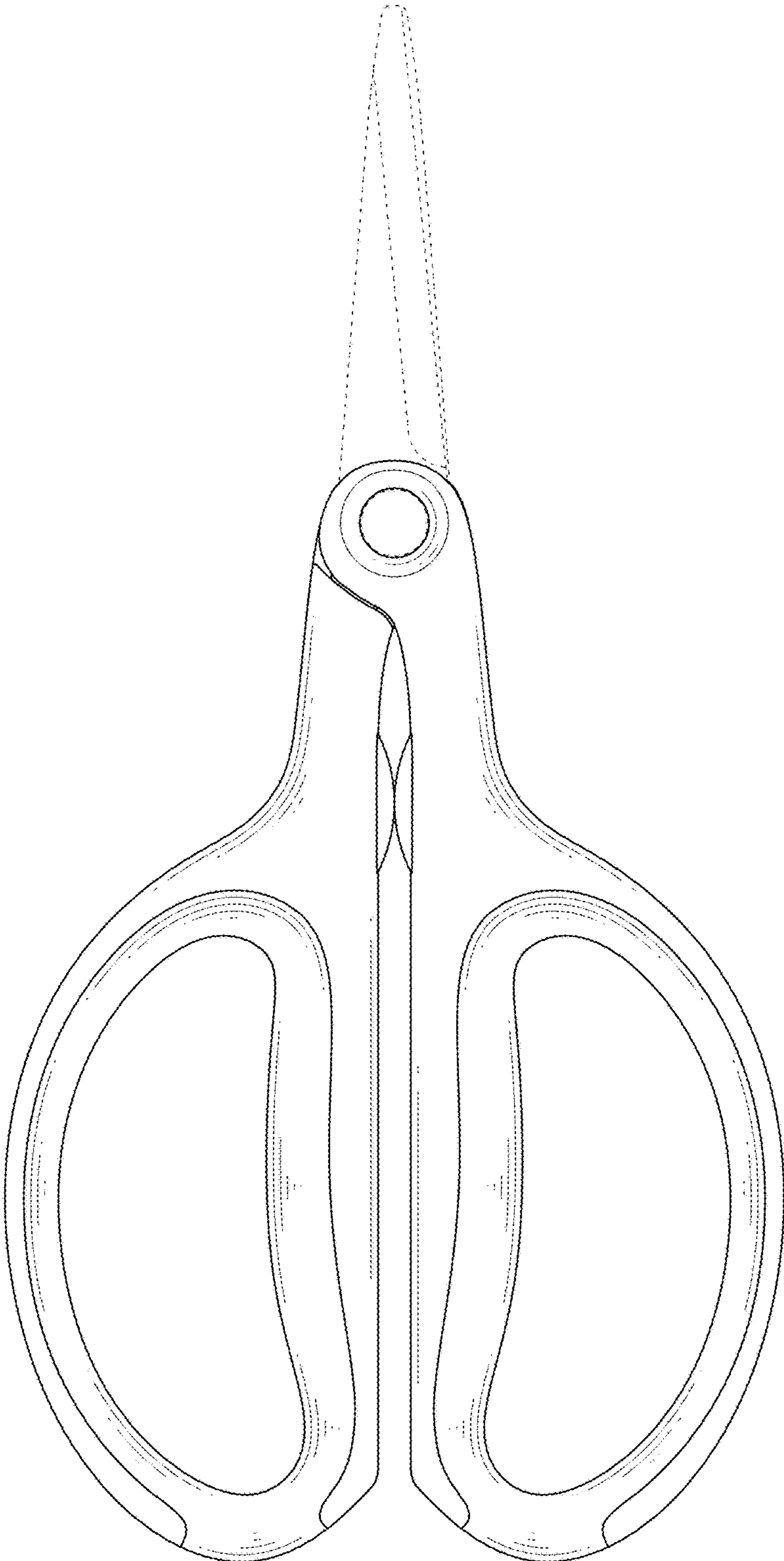


FIG.4

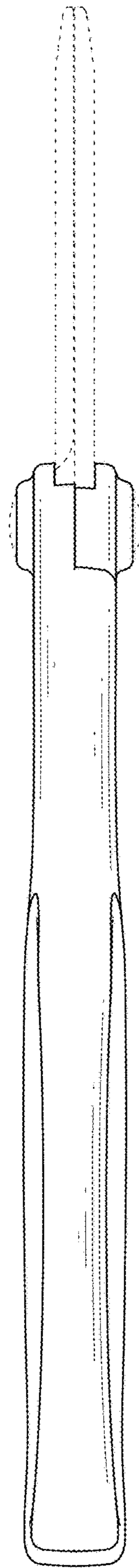


FIG.5

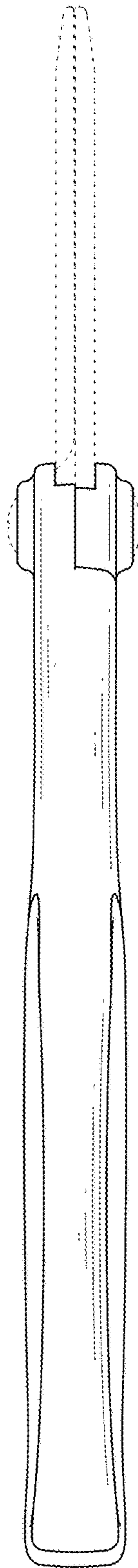


FIG.6

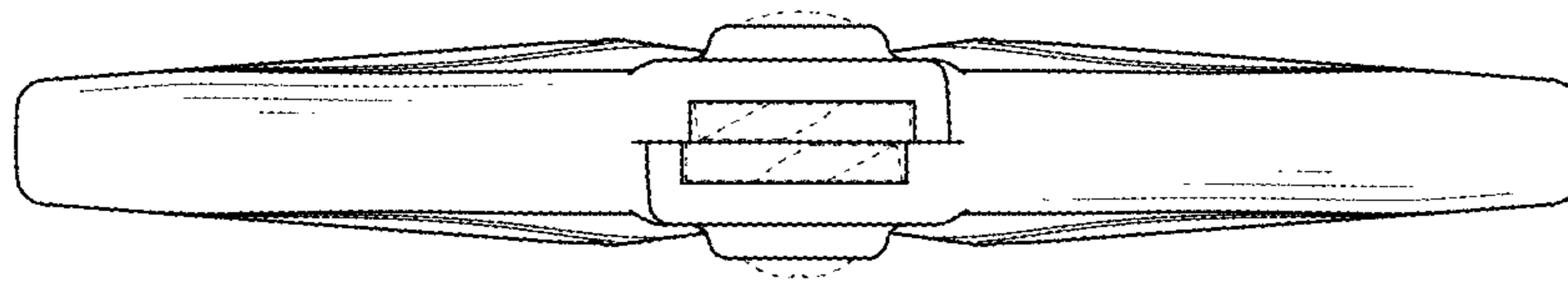


FIG.7

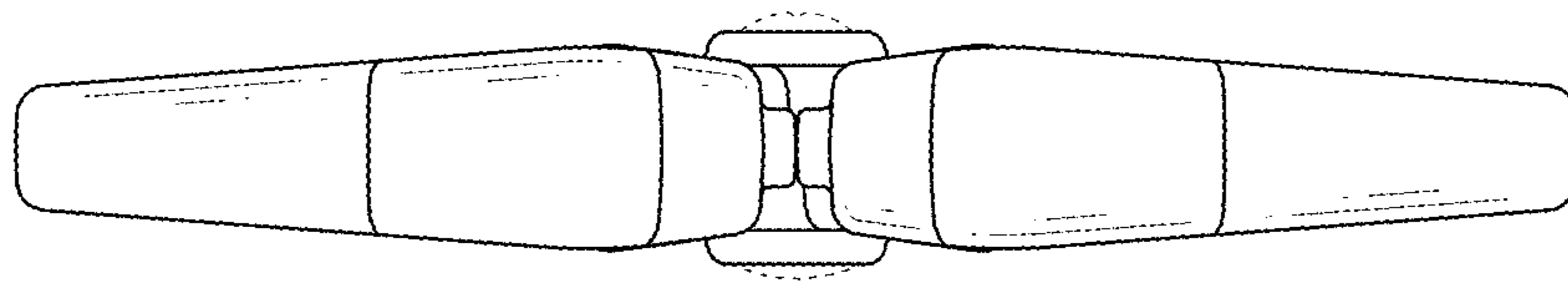


FIG.8