



US00D809355S

(12) **United States Design Patent** (10) **Patent No.:** **US D809,355 S**  
**Butscher et al.** (45) **Date of Patent:** **\*\* Feb. 6, 2018**

(54) **SAW BLADE**

(71) Applicant: **Robert Bosch GmbH**, Stuttgart (DE)

(72) Inventors: **Dietmar Janusz Butscher**, Jegenstorf (CH); **Milan Bozic**, Solothurn (CH); **Andreas Gruber**, St. Niklaus (CH); **Johanna Seeger**, Zürich (CH)

(73) Assignee: **Robert Bosch GmbH**, Stuttgart (DE)

(\*\*) Term: **15 Years**

(21) Appl. No.: **29/555,207**

(22) Filed: **Feb. 19, 2016**

(30) **Foreign Application Priority Data**

Aug. 21, 2015 (EM) ..... 002758342

(51) **LOC (11) Cl.** ..... **08-03**

(52) **U.S. Cl.**  
USPC ..... **D8/20; D8/70**

(58) **Field of Classification Search**  
USPC ..... D8/20, 23, 41, 64, 66, 70, 92; D7/385;  
D15/133; D24/146-147  
CPC ..... B27B 5/00; B27B 33/08; B27B 33/12;  
B27B 33/142; B27B 33/144; B27B  
33/145; A61B 17/14; A61B 17/142;  
B23D 61/006; B23D 61/121; B23D  
61/123

See application file for complete search history.

(56) **References Cited**

**U.S. PATENT DOCUMENTS**

D402,738 S	12/1998	Oswaks et al.	
D455,490 S *	4/2002	Pascaloff	D24/146
D459,805 S *	7/2002	Pascaloff	D24/146
D651,499 S *	1/2012	Tong	D8/70
D677,546 S *	3/2013	Zhou	D8/20
D682,652 S *	5/2013	McRoberts	D8/20
D692,958 S	11/2013	Barret et al.	

(Continued)

*Primary Examiner* — Ian Simmons

*Assistant Examiner* — Mojtaba Tehrani

(74) *Attorney, Agent, or Firm* — Maginot, Moore & Beck LLP

(57) **CLAIM**

The ornamental design for a saw blade, as shown and described.

**DESCRIPTION**

Cross reference is made to copending U.S. design patent application Ser. No. 29/555,203 entitled “Saw Blade” by Fellmann et al. filed on even date herewith; U.S. design patent application Ser. No. 29/555,211 entitled “Saw Blade” by Butscher et al. filed on even date herewith; and U.S. design patent application Ser. No. 29/555,214 entitled “Saw Blade” by Fellmann et al. filed on even date herewith.

FIG. 1 is a perspective view of a saw blade, showing our new design;

FIG. 2 is a front elevation view thereof;

FIG. 3 is a rear elevation view thereof;

FIG. 4 is a right side elevation view thereof;

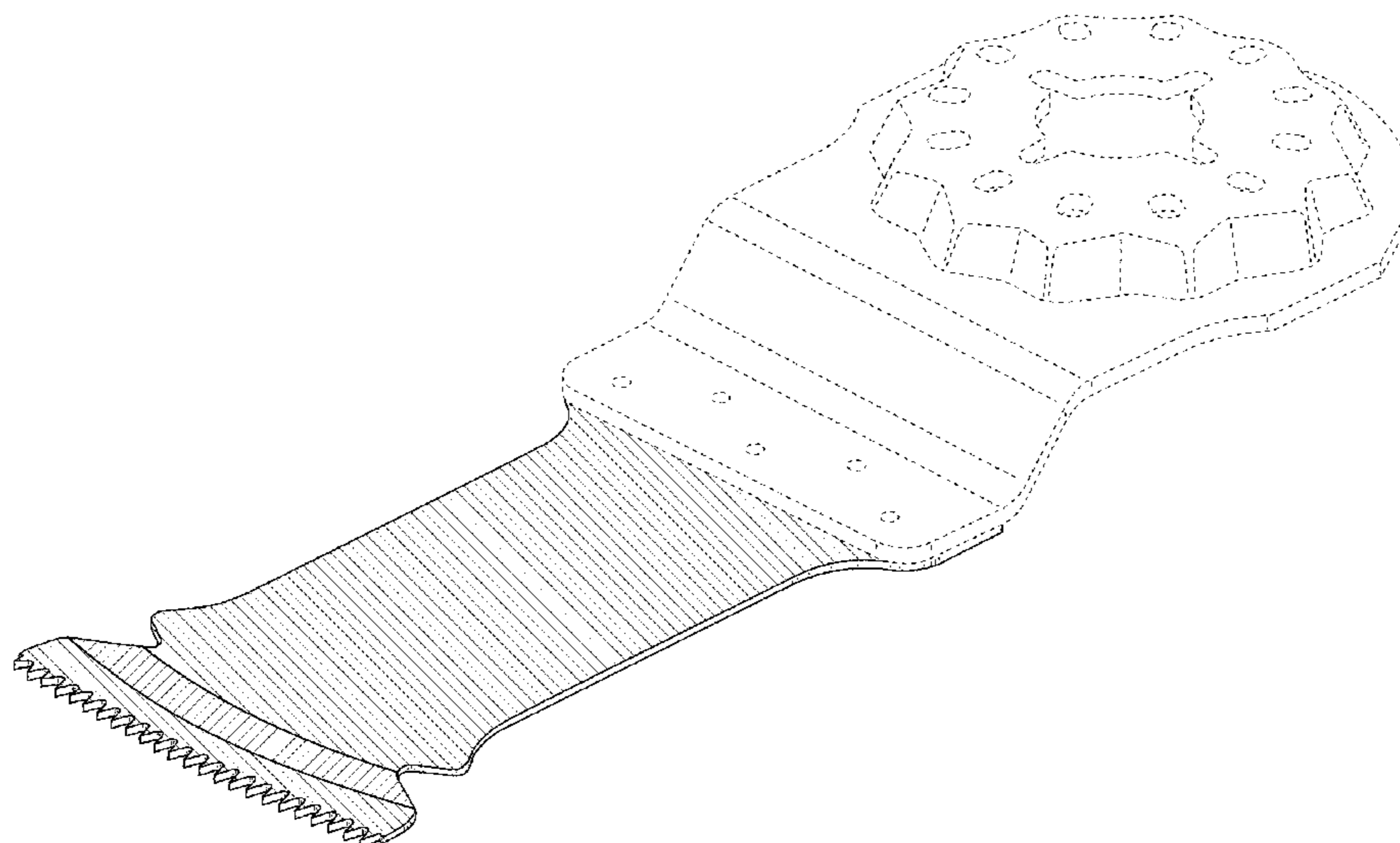
FIG. 5 is a left side elevation view thereof;

FIG. 6 is a top plan view thereof; and,

FIG. 7 is a bottom view thereof.

The broken lines shown in the drawings illustrate portions of the saw blade that form no part of the claimed design. The area lined with lines oriented in one direction and the area lined with lines oriented in another direction possess contrasting colors in relation to each other. The lines of the lined areas form no part of the claimed design, but rather are included merely to define the locations of the lined areas. It is to be understood that the contrasting colors are not limited to the colors specifically indicated in the drawing disclosure. The area lined with lines oriented in one direction and the area lined with lines oriented in another direction illustrate a contrast in appearance.

**1 Claim, 5 Drawing Sheets**



(56)

**References Cited**

U.S. PATENT DOCUMENTS

D693,193	S *	11/2013	Bozic .....	D8/20
D694,076	S *	11/2013	Davidian .....	D8/20
D694,077	S *	11/2013	Bozic .....	D8/20
D694,596	S *	12/2013	Davidian .....	D8/20
D694,597	S *	12/2013	Davidian .....	D8/20
D694,598	S *	12/2013	Davidian .....	D8/20
D697,384	S *	1/2014	Wackwitz .....	D15/140
D711,993	S	8/2014	Mirafior, III et al.	
D713,231	S *	9/2014	Boozic .....	D8/70
8,950,756	B2 *	2/2015	Lu .....	B25F 3/00 279/143
D724,923	S *	3/2015	McRoberts .....	D8/20
D727,380	S *	4/2015	Zhang .....	D15/139
D728,646	S *	5/2015	Accola .....	D15/139
D734,649	S *	7/2015	Wackwitz .....	D8/70
D741,135	S *	10/2015	Yang .....	D15/140
D741,136	S *	10/2015	Yang .....	D15/140
D741,137	S *	10/2015	Yang .....	D8/70
D746,655	S *	1/2016	Wackwitz .....	D8/70
D750,461	S *	3/2016	McRoberts .....	D8/70
D789,759	S *	6/2017	Fellmann .....	D8/70

\* cited by examiner

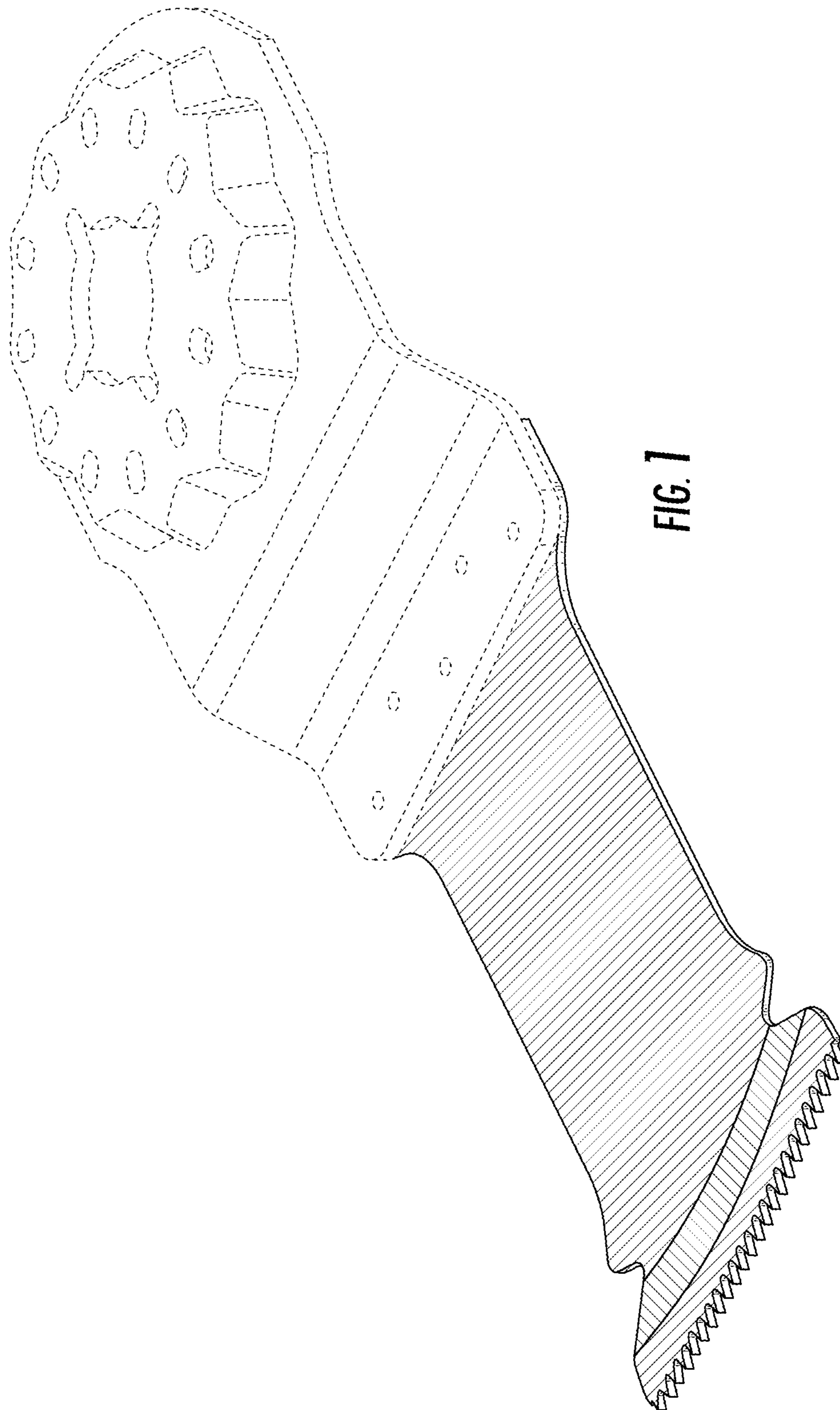
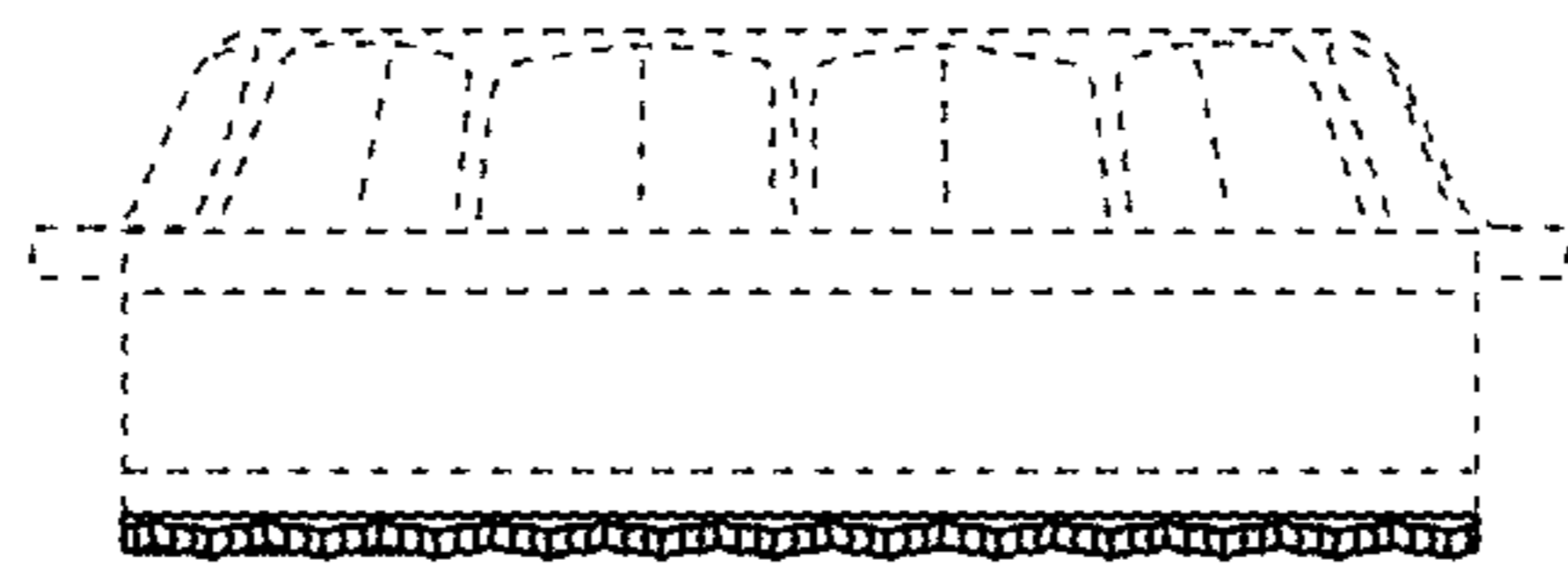
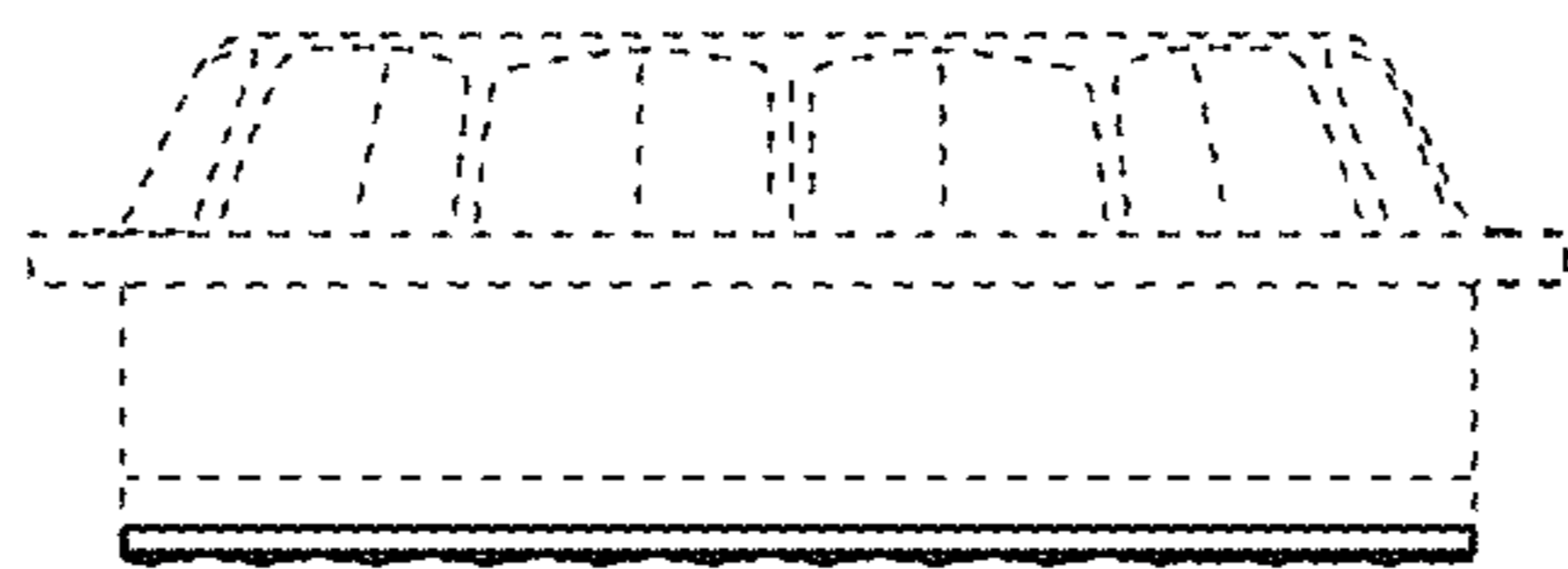


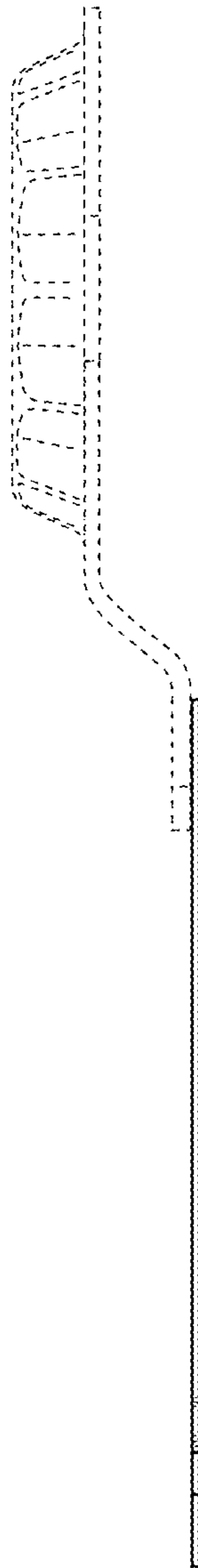
FIG. 1



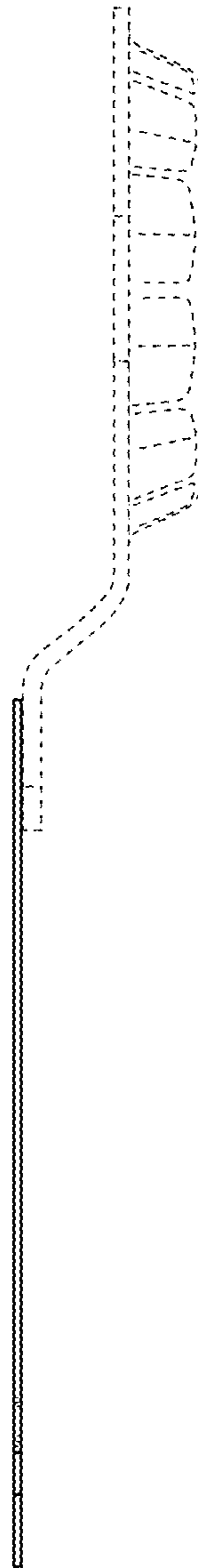
**FIG. 2**



**FIG. 3**

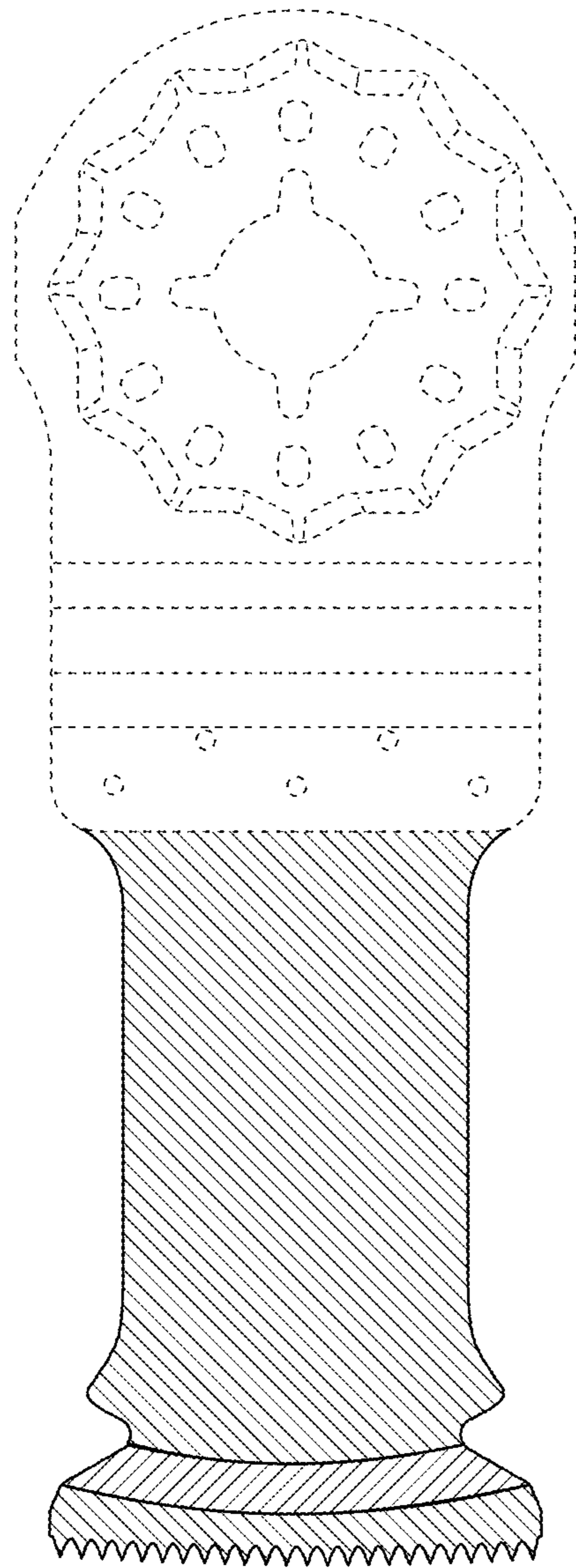


**FIG. 4**

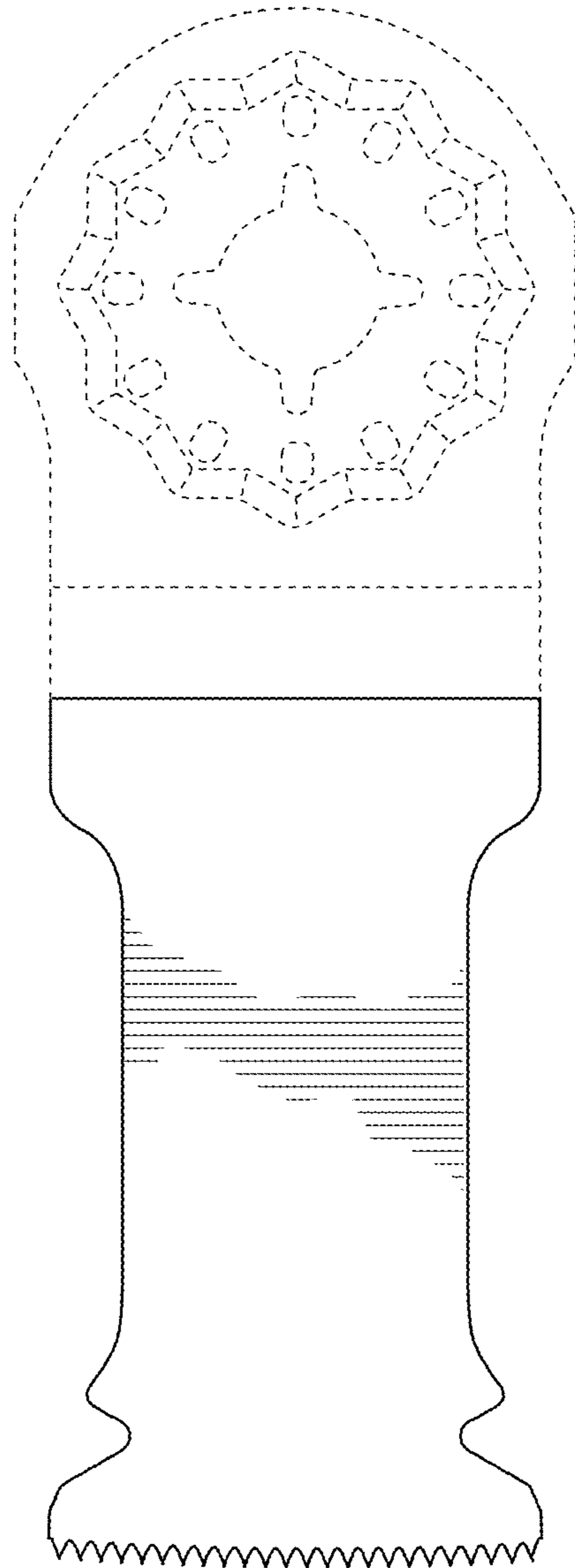


**FIG. 5**





**FIG. 6**



**FIG. 7**