



US00D809354S

(12) **United States Design Patent** (10) **Patent No.:** **US D809,354 S**
Richer et al. (45) **Date of Patent:** **** *Feb. 6, 2018**

(54) **RETRIEVAL TOOL** 5,546,639 A * 8/1996 Lacore B62J 7/08
24/129 R

(71) Applicants: **Christopher Richer**, Aylmer (CA); 5,799,996 A 9/1998 Fredrickson
Gerry Richer, Aylmer (CA) D410,378 S * 6/1999 Aganian D8/367
D426,121 S * 6/2000 Kientz D8/14
D458,831 S * 6/2002 Selby D8/308
D464,811 S * 10/2002 Lin D6/319
6,851,163 B2 * 2/2005 Selby B62J 7/08
114/218

(72) Inventors: **Christopher Richer**, Aylmer (CA);
Gerry Richer, Aylmer (CA)

(*) Notice: This patent is subject to a terminal disclaimer. D546,169 S * 7/2007 Selby D8/367
D547,638 S * 7/2007 Petersen D8/367
D551,541 S * 9/2007 Kuo D8/367
7,334,825 B1 2/2008 Sammon

(**) Term: **15 Years** D683,602 S * 6/2013 Jones D8/14
D755,529 S * 5/2016 Schlang D6/328
2009/0119887 A1 * 5/2009 Joubert F16B 45/00
24/265 H

(21) Appl. No.: **29/535,776**

(22) Filed: **Aug. 10, 2015**

(51) **LOC (11) Cl.** **08-05**

(52) **U.S. Cl.**
USPC **D8/14**

(58) **Field of Classification Search**
USPC D8/14, 367, 370, 387; D6/319
CPC F16B 45/00; A01K 97/14; Y10T 24/314
See application file for complete search history.

* cited by examiner

Primary Examiner — Phillip S Hyder
(74) *Attorney, Agent, or Firm* — Stevenson IP, LLC

(57) **CLAIM**

The ornamental design for a retrieval tool, as shown and described.

DESCRIPTION

FIG. 1 is a right side elevation view thereof, the opposite side being a mirror image of the shown; of a retrieval tool showing our new design;
FIG. 2 is a front elevation view thereof;
FIG. 3 is a rear elevation view thereof;
FIG. 4 is a top plan view thereof;
FIG. 5 is a bottom plan view thereof; and,
FIG. 6 is an isometric view thereof.

1 Claim, 4 Drawing Sheets

(56) **References Cited**

U.S. PATENT DOCUMENTS

3,495,797 A * 2/1970 Ganz B65D 51/242
206/806

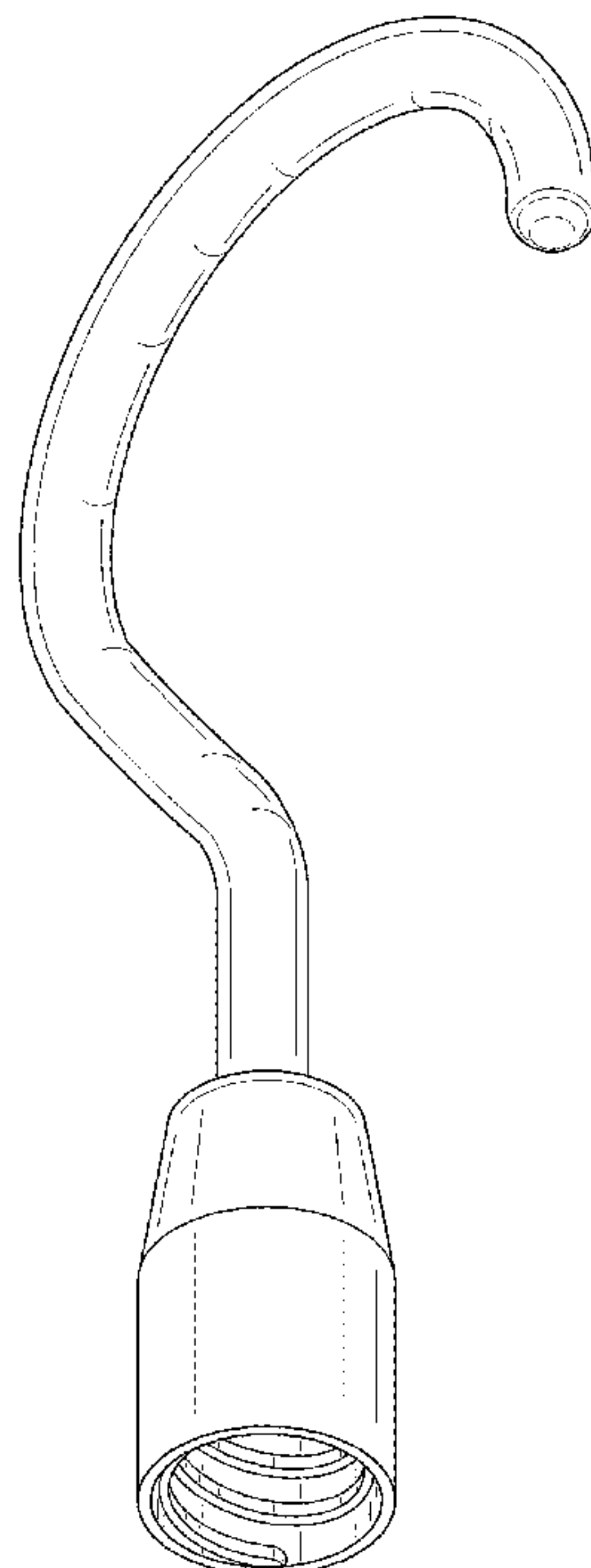
4,004,539 A * 1/1977 Wesson B63B 21/54
114/221 R

D259,700 S * 6/1981 Chasen D8/367

4,624,494 A 11/1986 Huppert

4,881,338 A * 11/1989 Lung A01K 97/14
294/26

D345,297 S * 3/1994 Kraine D8/367



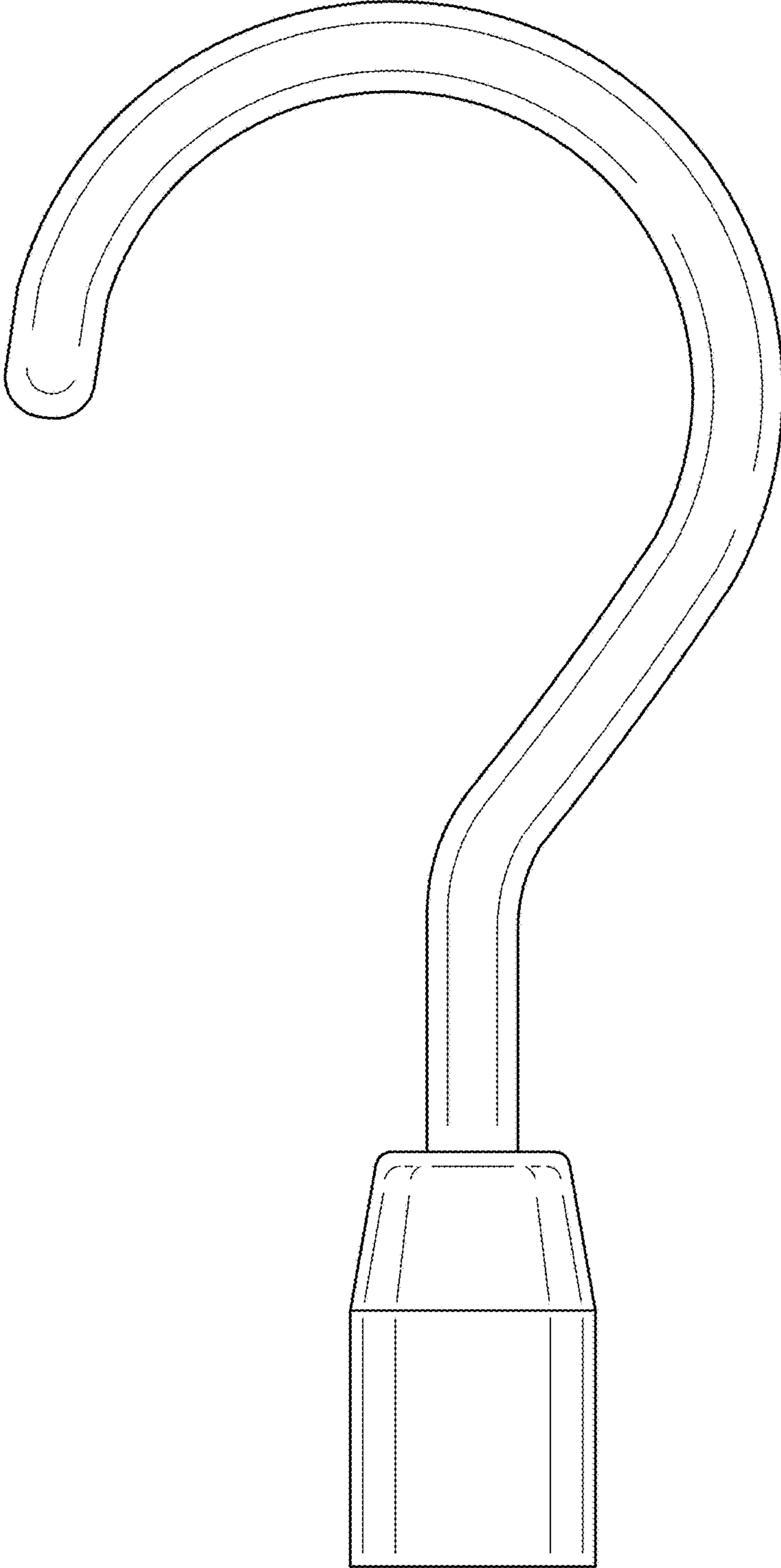


FIG. 1

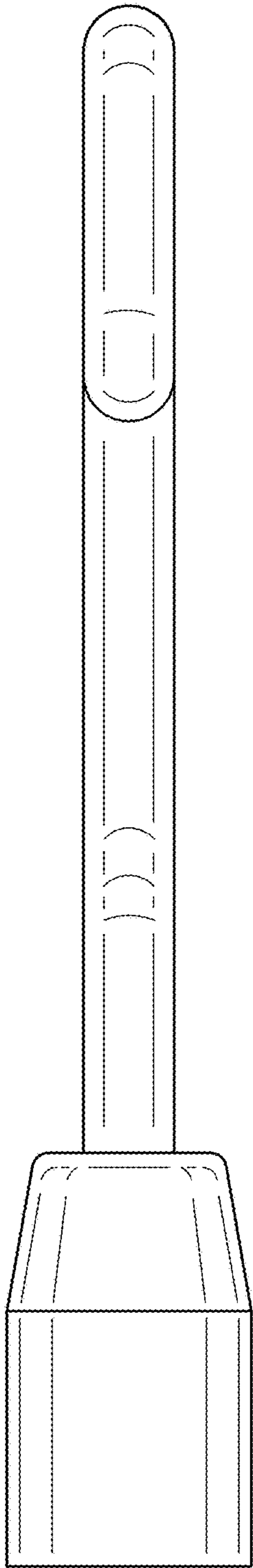


FIG. 2

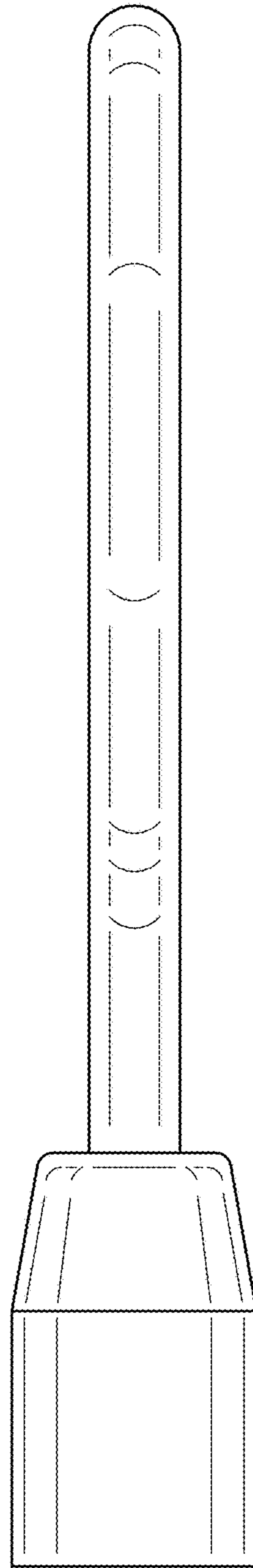


FIG. 3

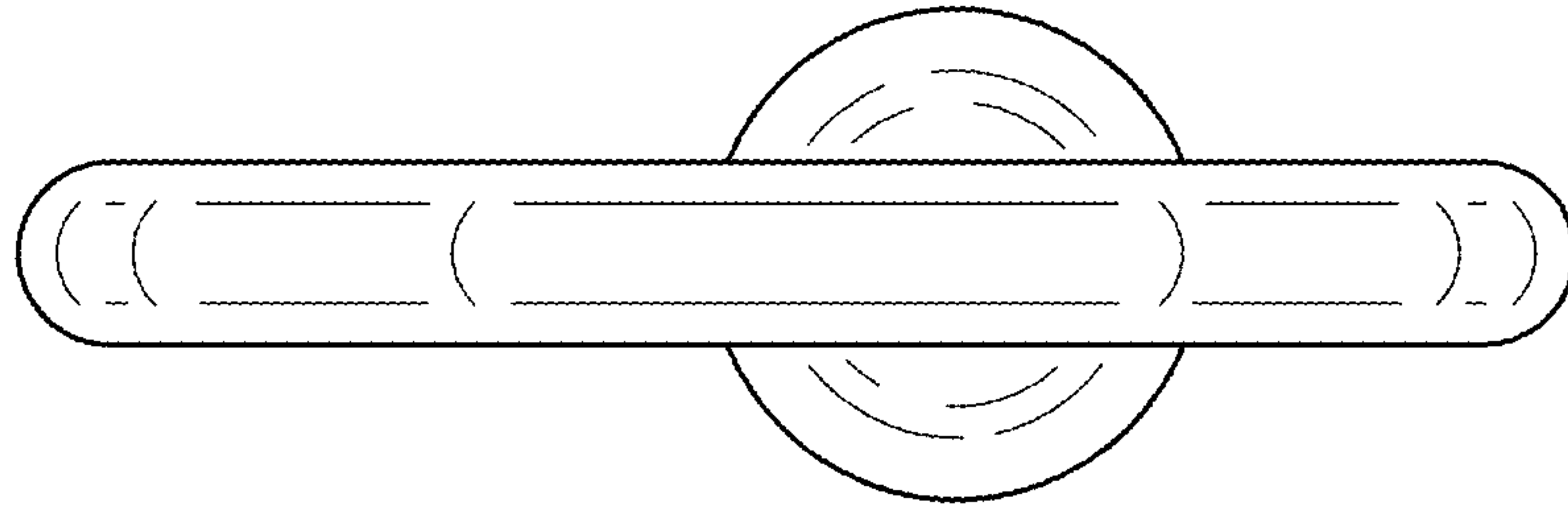


FIG. 4

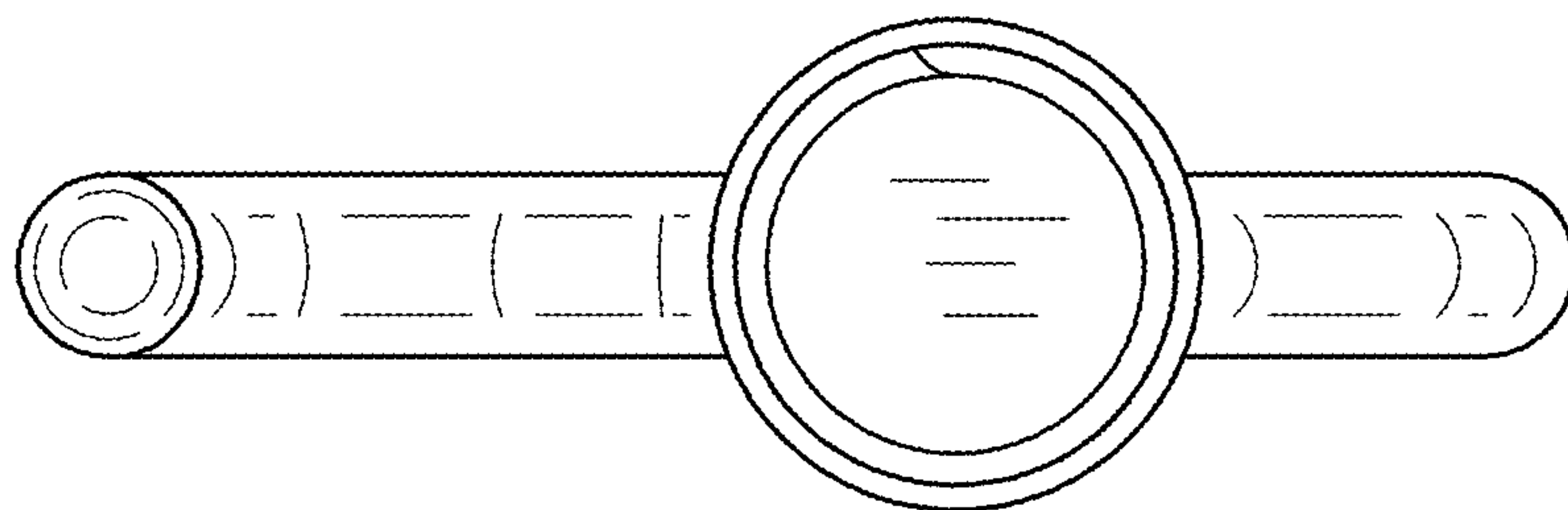


FIG. 5

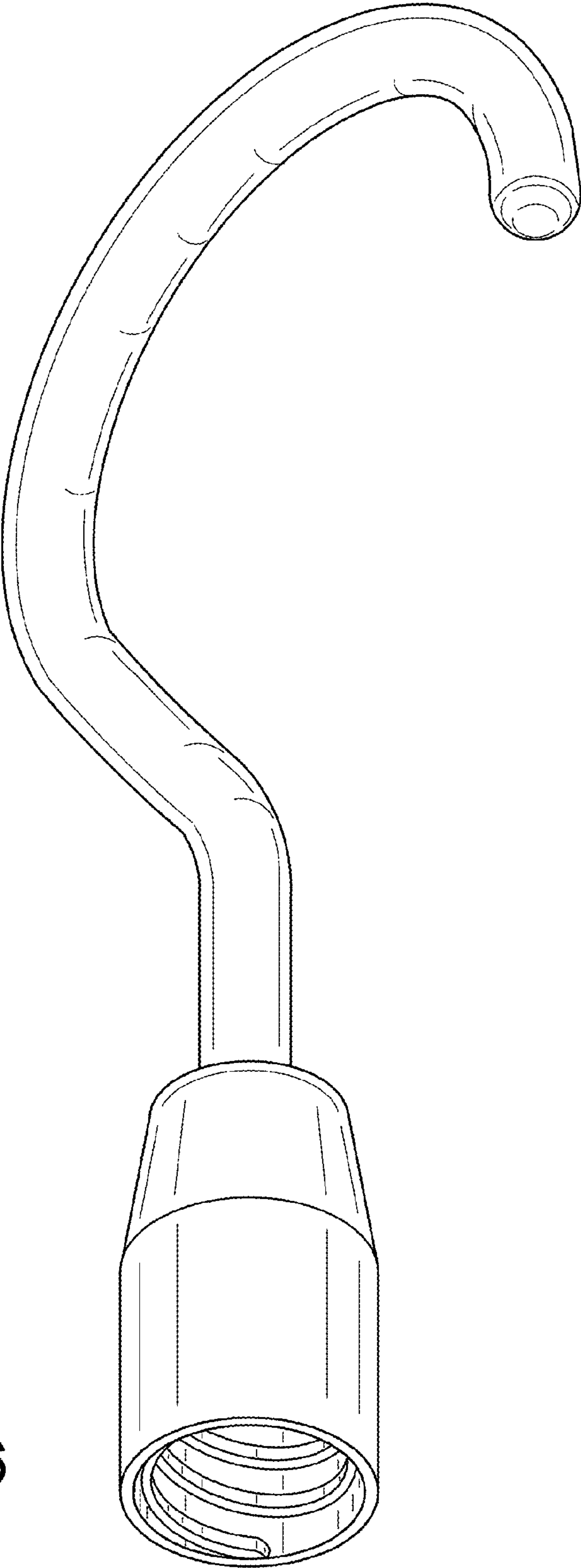


FIG. 6