



US00D809353S

(12) **United States Design Patent** (10) **Patent No.:** **US D809,353 S**
Blouin et al. (45) **Date of Patent:** **** Feb. 6, 2018**

(54) **SNOW PUSHER**
(71) Applicant: **GARANT GP**, Saint-François (CA)
(72) Inventors: **Carl Blouin**, Lévis (CA); **David Boies**,
Lévis (CA); **François Parenteau**,
Québec (CA); **Marie-Claude Guay**,
Lac Beauport (CA)
(73) Assignee: **GARANT GP**, Saint-François (CA)
(**) Term: **15 Years**

7,118,145 B1 10/2006 Rosine et al.
D546,644 S 7/2007 Rosine et al.
D546,645 S 7/2007 Rosine et al.
D553,920 S * 10/2007 Rosine D8/10
D558,004 S 12/2007 Kelly, Jr.
D572,094 S 7/2008 Rosine et al.
D676,723 S 2/2013 Norwood et al.
D708,495 S 7/2014 Stein
D718,100 S 11/2014 Masalin et al.
9,353,493 B1 * 5/2016 French E01H 5/02
D758,152 S 6/2016 Blouin et al.
D788,551 S * 6/2017 Blouin D8/10
(Continued)

(21) Appl. No.: **29/587,702**
(22) Filed: **Dec. 15, 2016**
(51) **LOC (11) Cl.** **08-01**
(52) **U.S. Cl.**
USPC **D8/10**
(58) **Field of Classification Search**
USPC D8/1, 7, 9, 10, 11, 107; D21/532, 398
CPC E01H 5/00; E01H 5/02; E01H 5/12; E01H
5/061; B25G 1/102; A01B 1/02; A01B
1/22; A01B 1/022; A01B 1/026
See application file for complete search history.

OTHER PUBLICATIONS

Garant GP, Snow shovel, 19" Poly Blade NPM19KD/ 83624, 2015,
Garant GP, Canada and U.S.A., <http://www.garant.com/tools/s/winter-tools/snow-shovels/poly-snow-shovels/snow-shovel-19-poly-blade-steel-wear-strip/>.

(Continued)

Primary Examiner — Sandra Snapp
Assistant Examiner — Ieisha Price
(74) *Attorney, Agent, or Firm* — Gwendoline Bruneau

(56) **References Cited**

U.S. PATENT DOCUMENTS

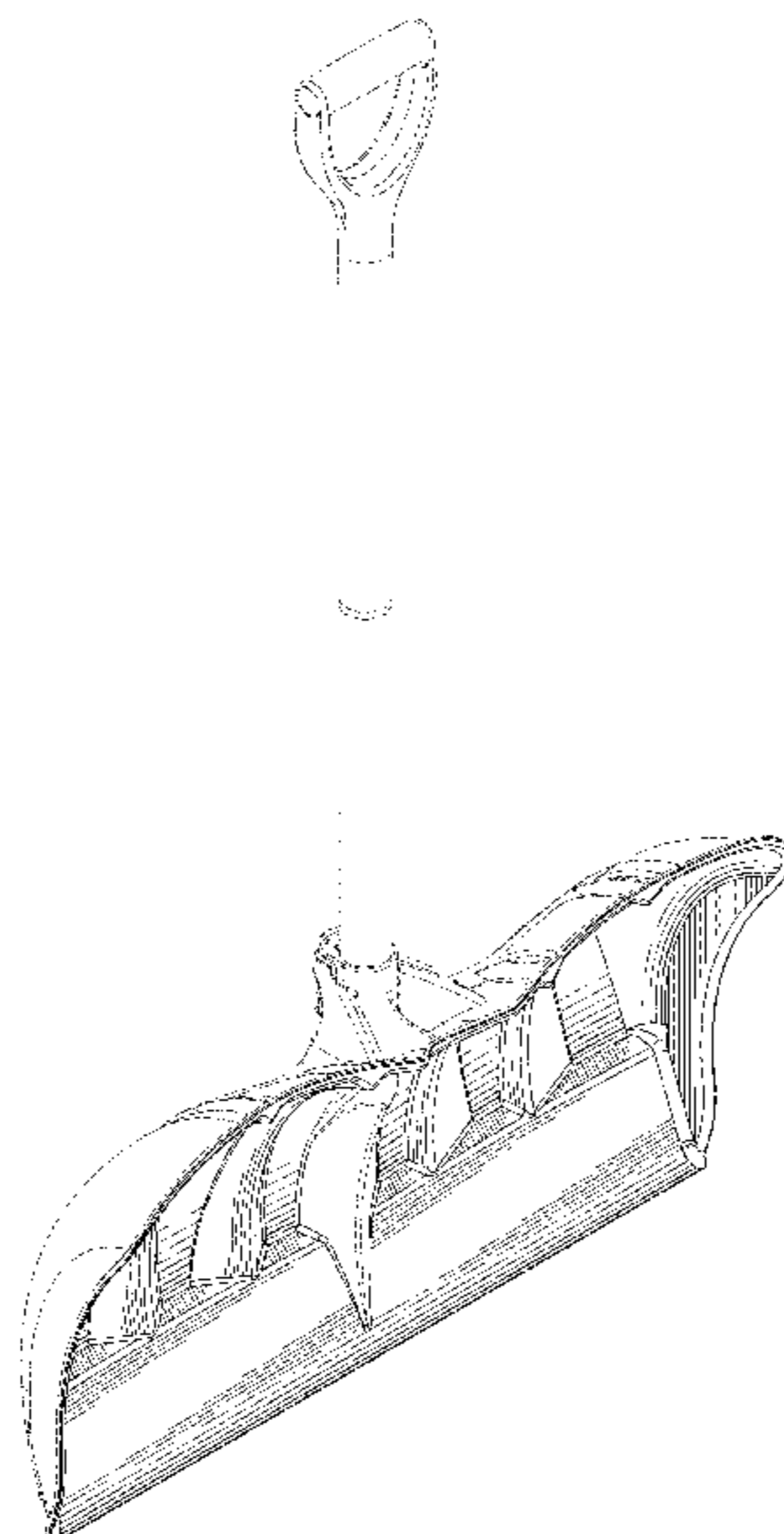
781,772 A 2/1905 Gifford
D298,906 S 12/1988 Bonnes
D363,653 S 10/1995 Tisbo et al.
D381,375 S 7/1997 Spear et al.
D395,212 S 6/1998 Vosbikian
5,826,929 A 10/1998 Tisbo et al.
5,845,949 A 12/1998 Vosbikian
D409,886 S 5/1999 Whitehead et al.
5,951,078 A 9/1999 Whitehead et al.
D417,825 S 12/1999 Tisbo et al.
D417,826 S 12/1999 Yacobi et al.
D433,889 S 11/2000 Spear
D434,287 S 11/2000 Spear
D477,755 S 7/2003 Markley

(57) **CLAIM**
The ornamental design for a snow pusher, as shown and described.

DESCRIPTION

FIG. 1 is perspective front view of the snow pusher;
FIG. 2 is a side view of the snow pusher of FIG. 1;
FIG. 3 is a front view of the snow pusher of FIG. 1;
FIG. 4 is a top view of the snow pusher of FIG. 1;
FIG. 5 is a bottom view of the snow pusher of FIG. 1; and,
FIG. 6 is a rear view of the snow pusher of FIG. 1.
The broken lines shown in FIGS. 1-6 illustrate portions of
the snow pusher that form no part of the claimed design.

1 Claim, 5 Drawing Sheets



(56)

References Cited

U.S. PATENT DOCUMENTS

2007/0126250 A1* 6/2007 Rosine A01B 1/02
294/51
2007/0227048 A1* 10/2007 Adinata E01H 5/02
37/285
2014/0217759 A1 8/2014 Uffner et al.
2015/0123413 A1 5/2015 Spataro et al.
2015/0201542 A1* 7/2015 Thresher E01H 5/02
294/58

OTHER PUBLICATIONS

True Temper, Snow pushers, 24 inch Poly Snow Pusher with Versagrip, 2016, Ames True Temper Inc., U.S.A., <http://www.true-temper.com/tool/snow-pushers/1635000-24-inch-snow-pusher/>.

True Temper, Snow Shovels & Pushers, 20 inch Poly Combo Snow Shovel with Versagrip, 2016, Ames True Temper Inc., U.S.A., <http://www.true-temper.com/tool/snow-tools/1649800-20-inch-combo-shovel/>.

* cited by examiner

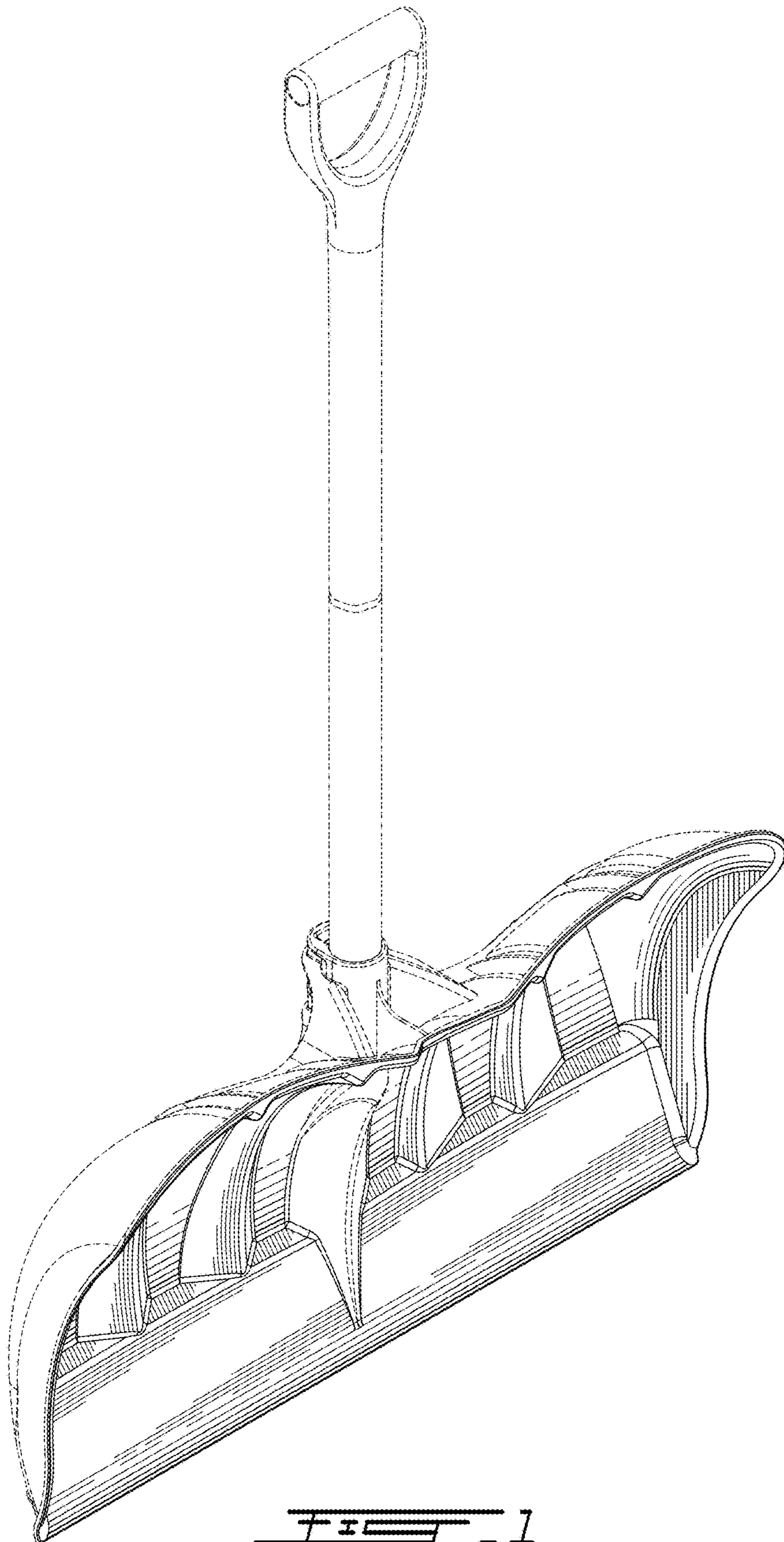
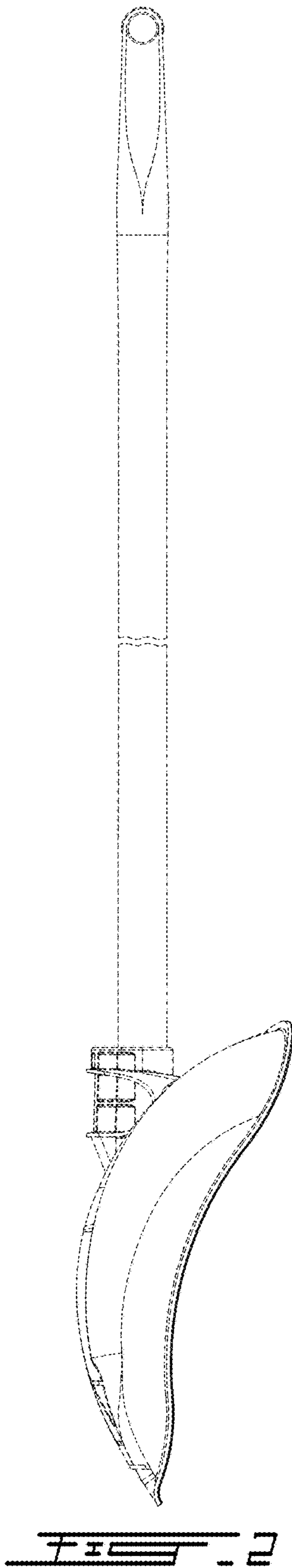


FIG. 1



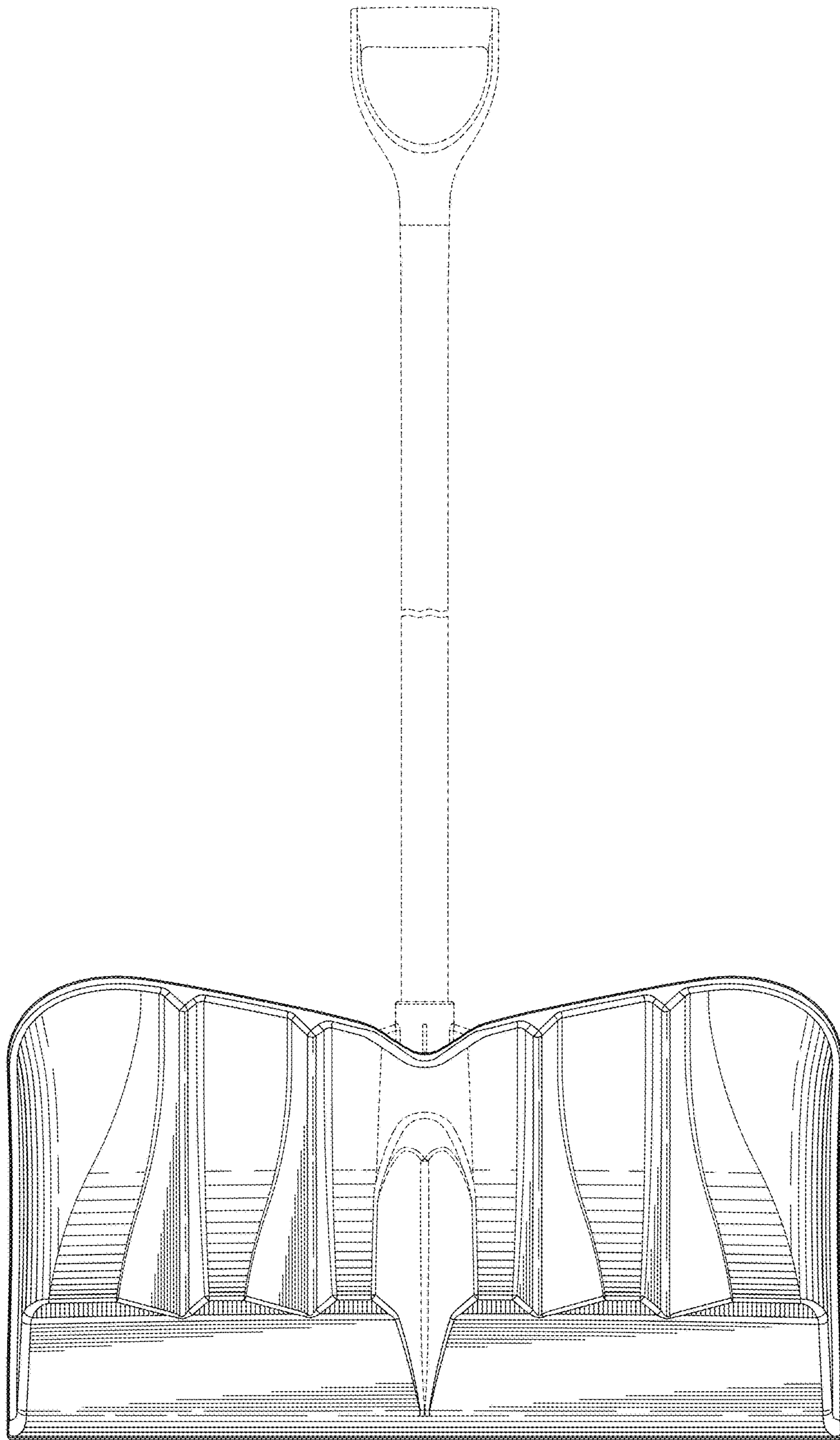


FIG. 3

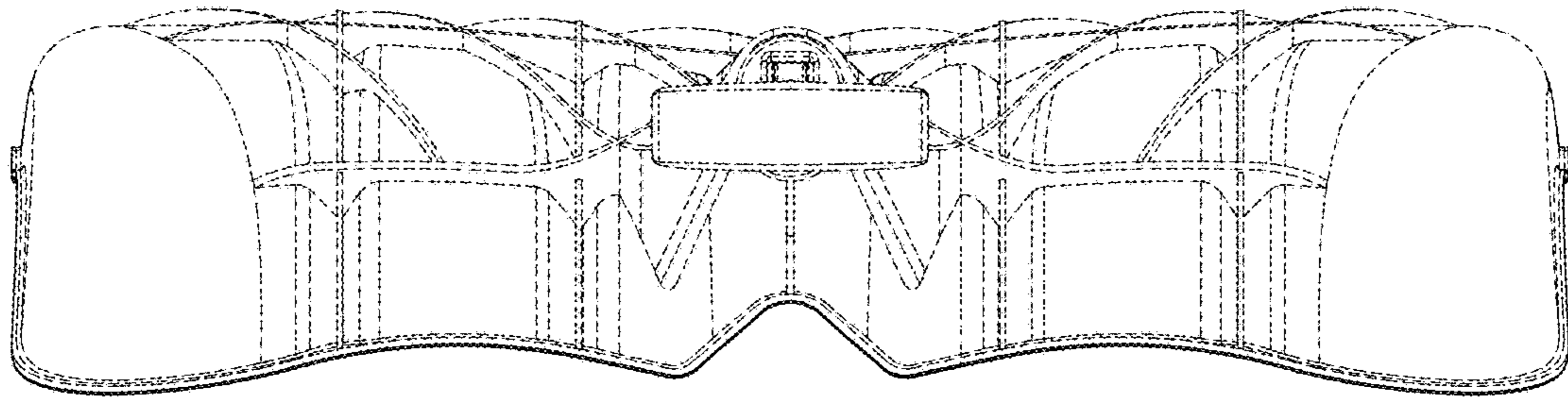


FIG. 4

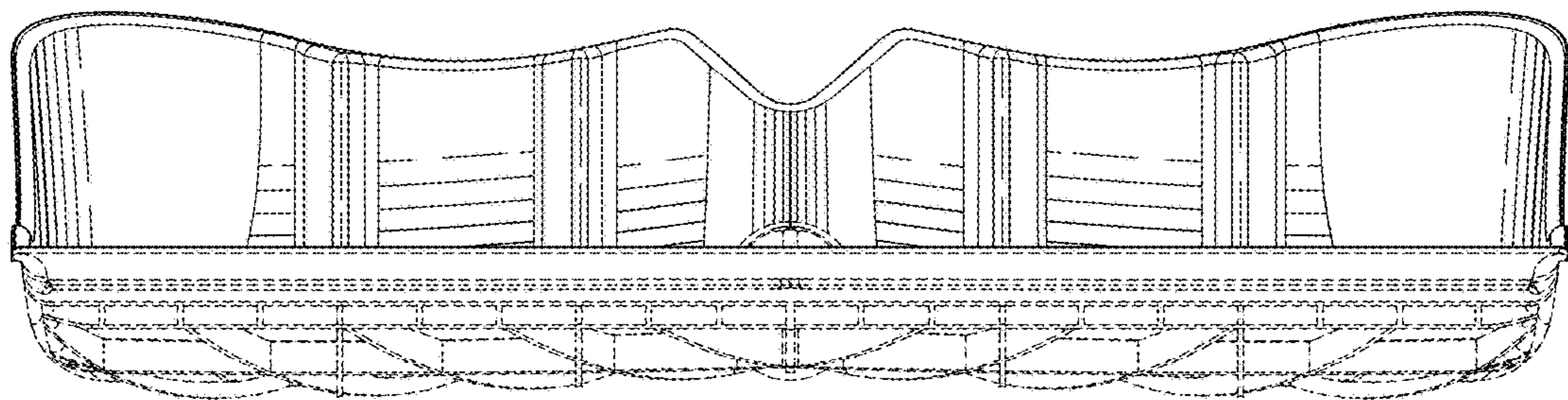


FIG. 5

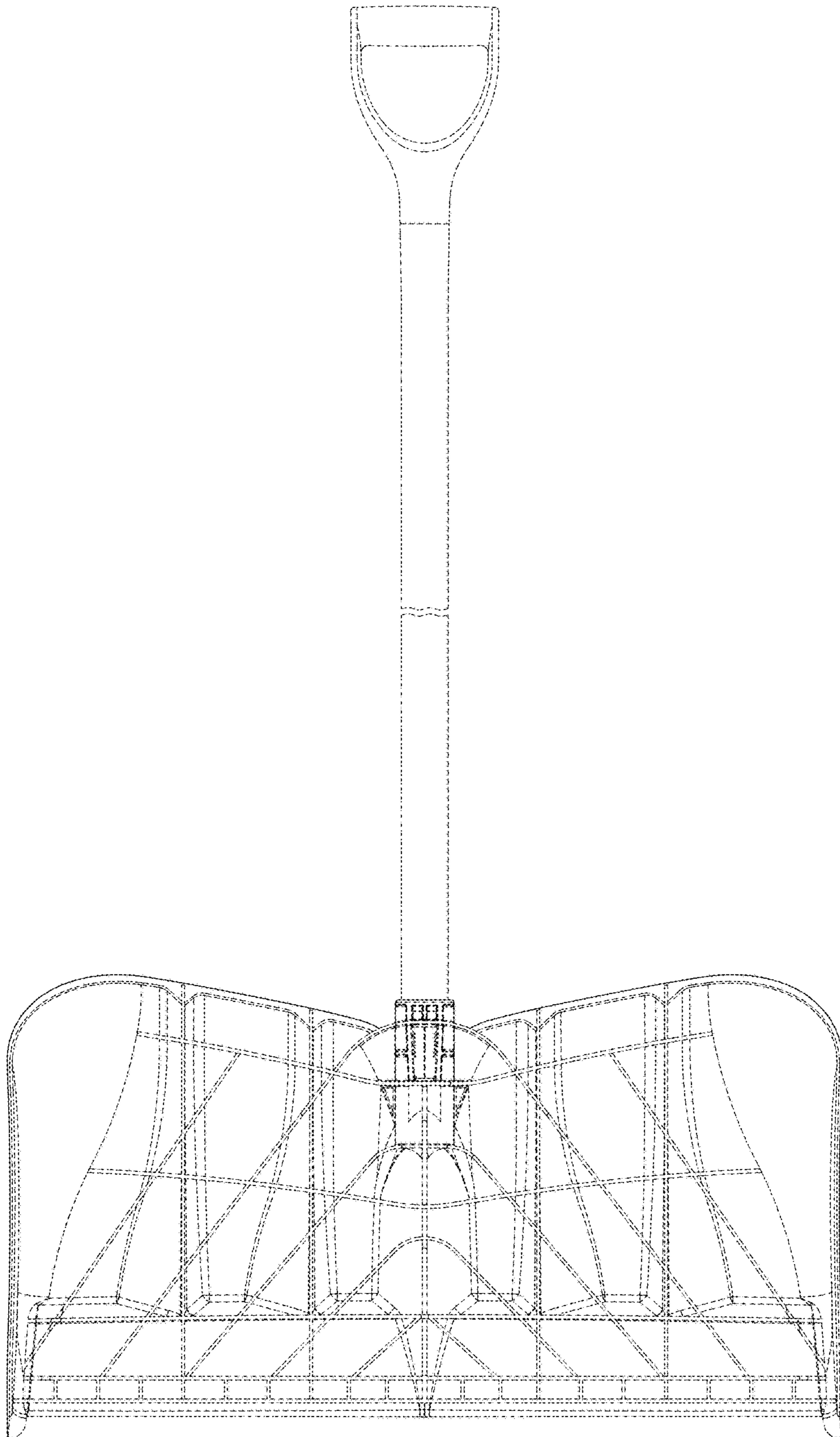


FIG. 6